



US00D554498S

(12) **United States Design Patent**  
**Lovett**

(10) **Patent No.:** **US D554,498 S**

(45) **Date of Patent:** **\*\* Nov. 6, 2007**

(54) **CONTAINER**

(75) Inventor: **James Kyle Lovett**, Atlanta, GA (US)

(73) Assignee: **InnoWare Plastic, Inc.**, Atlanta, GA (US)

(\*\*) Term: **14 Years**

(21) Appl. No.: **29/263,918**

(22) Filed: **Jul. 31, 2006**

(51) **LOC (8) Cl.** ..... **09-03**

(52) **U.S. Cl.** ..... **D9/425; D9/432; D7/629**

(58) **Field of Classification Search** ..... D9/414-432,  
D9/748-762, 449, 456; D7/601-602, 629;  
206/484-484.2, 518, 557, 459.1, 524.3; 220/287,  
220/556, 241-2, 780-1, 350

See application file for complete search history.

(56) **References Cited**

**U.S. PATENT DOCUMENTS**

D254,776 S *	4/1980	Edwards	.....	D9/426
D268,645 S	4/1983	Phillips et al.		
D270,708 S	9/1983	Dart		
D280,605 S *	9/1985	Karlik	.....	D9/426
D315,100 S *	3/1991	Sheehan	.....	D9/427
D355,814 S *	2/1995	VanValkenburg et al.	....	D7/629
D369,970 S	5/1996	Cain		
D373,931 S	9/1996	Whitehead		
D375,259 S	11/1996	Whitehead		
D384,582 S	10/1997	Cain		
D400,404 S	11/1998	Indekeu		
D404,257 S	1/1999	Indekeu		
D404,258 S	1/1999	Indekeu		
D404,614 S	1/1999	Indekeu		
D408,733 S	4/1999	McCann		
5,947,321 A *	9/1999	Vadney	.....	220/367.1

D418,371 S	1/2000	Whitehead		
D448,991 S *	10/2001	Zettle et al.	.....	D9/425
D468,637 S	1/2003	Chou		
D475,620 S *	6/2003	Chen et al.	.....	D9/425
6,572,909 B1	6/2003	Bagwell et al.		
D489,254 S	5/2004	Kocis et al.		
D527,956 S *	9/2006	Doliwa	.....	D7/629

**OTHER PUBLICATIONS**

Duni Corporation, Creative Carryouts 2004 Product Brouchure 12 pages.

\* cited by examiner

*Primary Examiner*—Stella M. Reid

*Assistant Examiner*—Susan E Krakower

(74) *Attorney, Agent, or Firm*—Baker Donelson

(57) **CLAIM**

The ornamental design for a container, as shown and described.

**DESCRIPTION**

FIG. 1 is a perspective view of a container having a base and a lid attached showing my new design;

FIG. 2 is a top view thereof;

FIG. 3 is a bottom view thereof;

FIG. 4 is a right side view thereof, the left side being a mirror image thereof;

FIG. 5 is a front view thereof, the rear view being a mirror image thereof;

FIG. 6 is an interior view of the lid of my new container; and,

FIG. 7 is an interior view of the base of my new container.

**1 Claim, 4 Drawing Sheets**

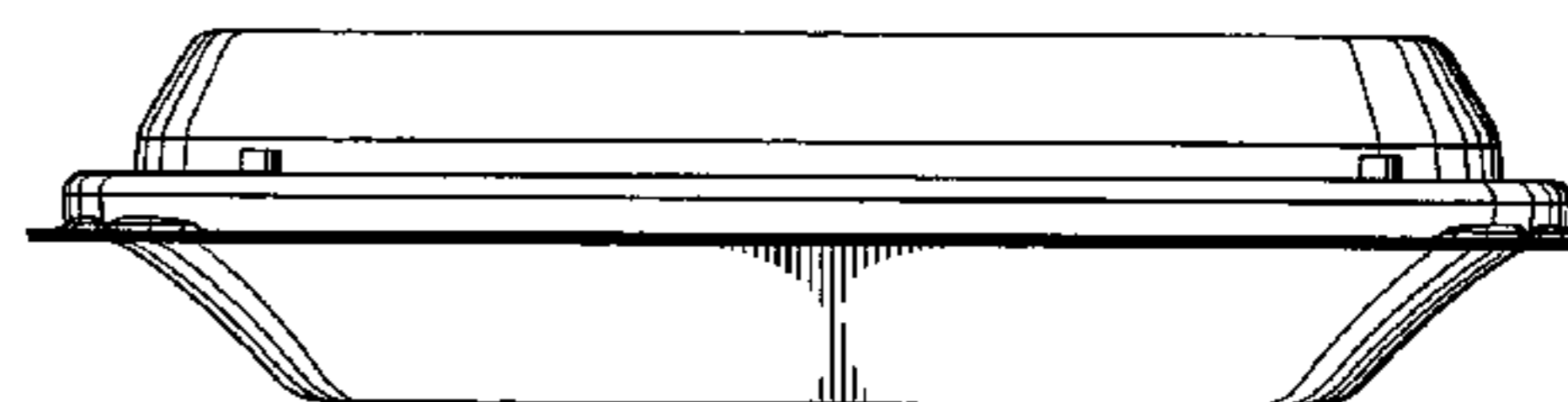
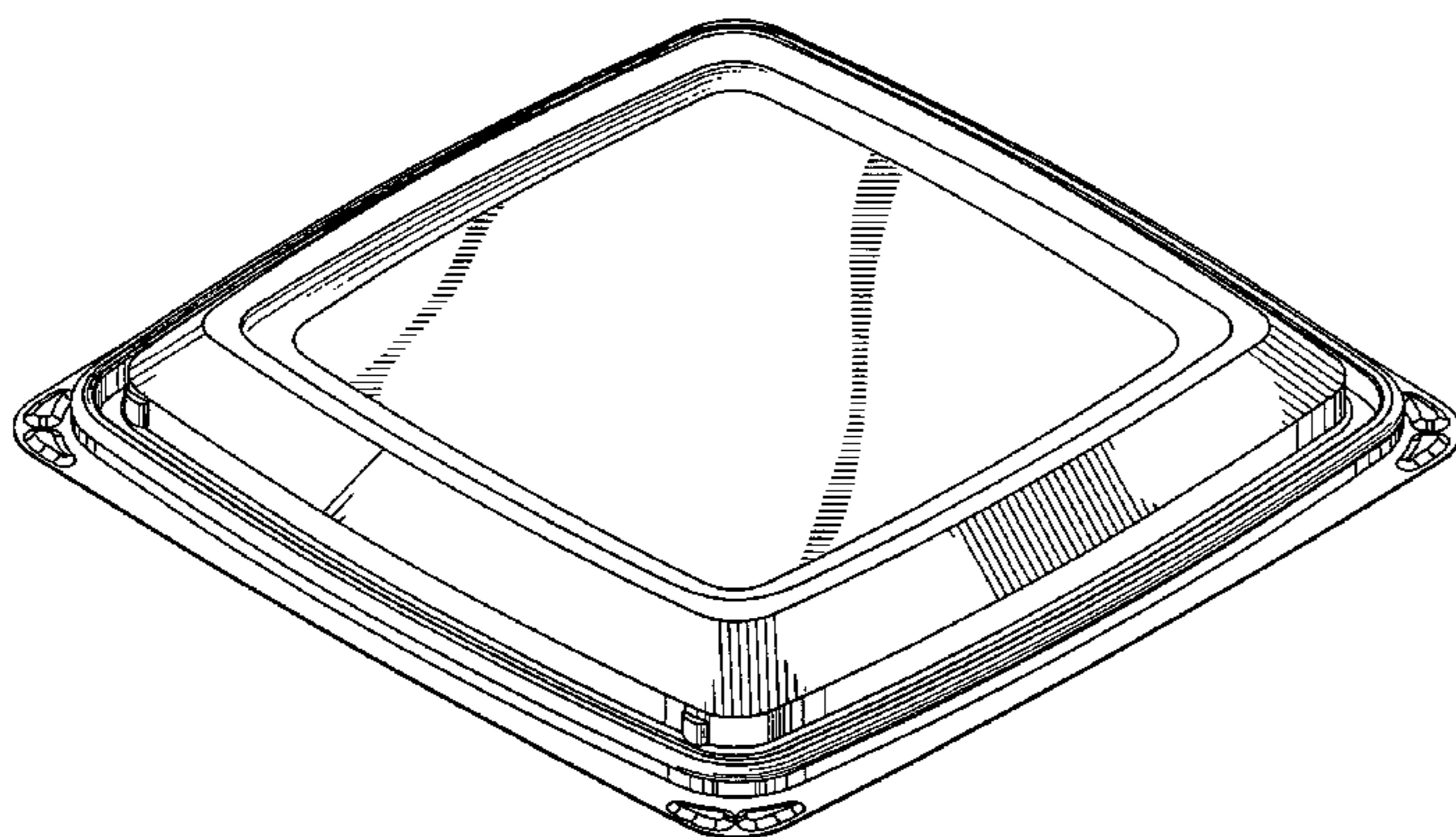


Fig. 1

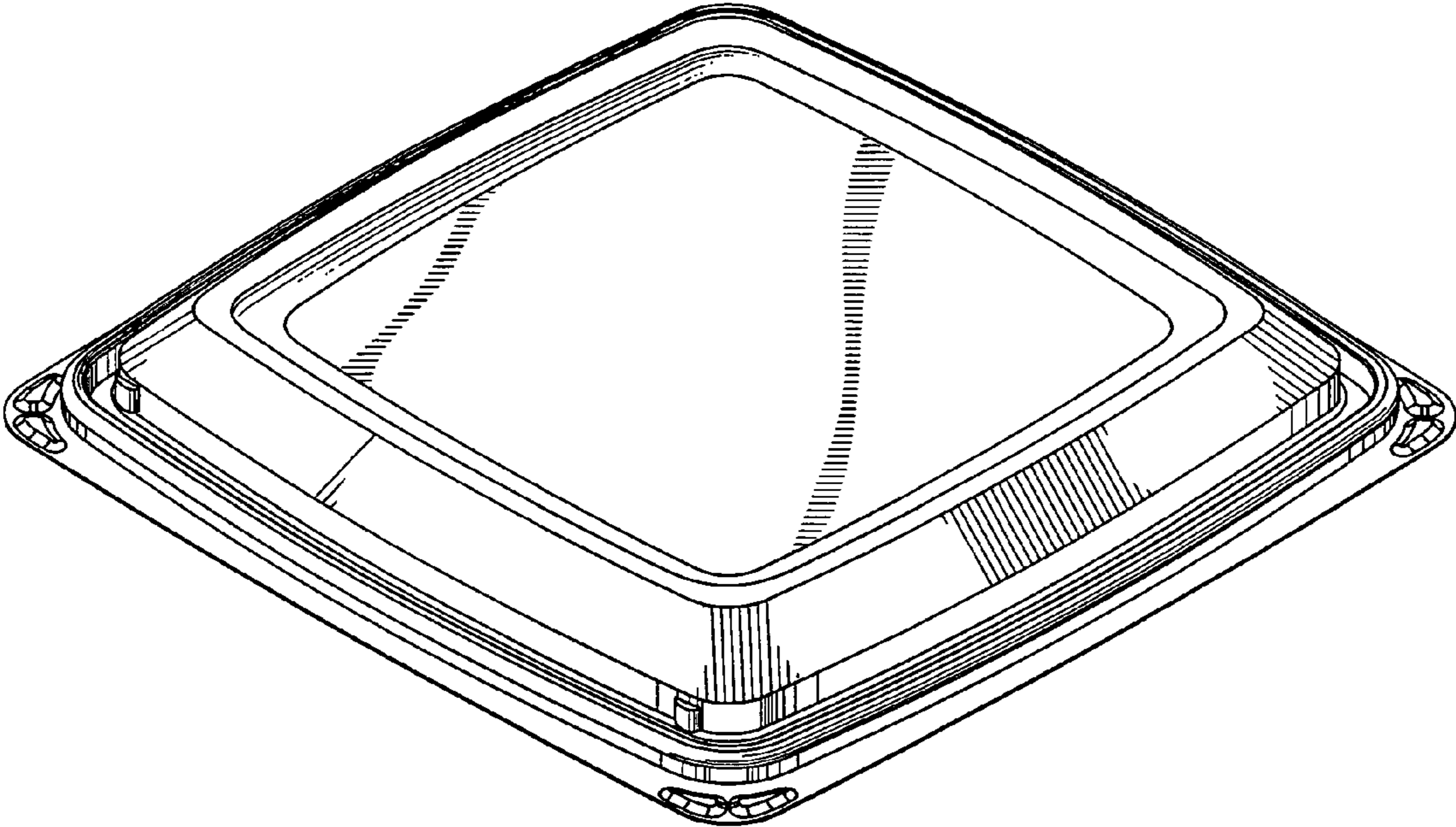


Fig. 3

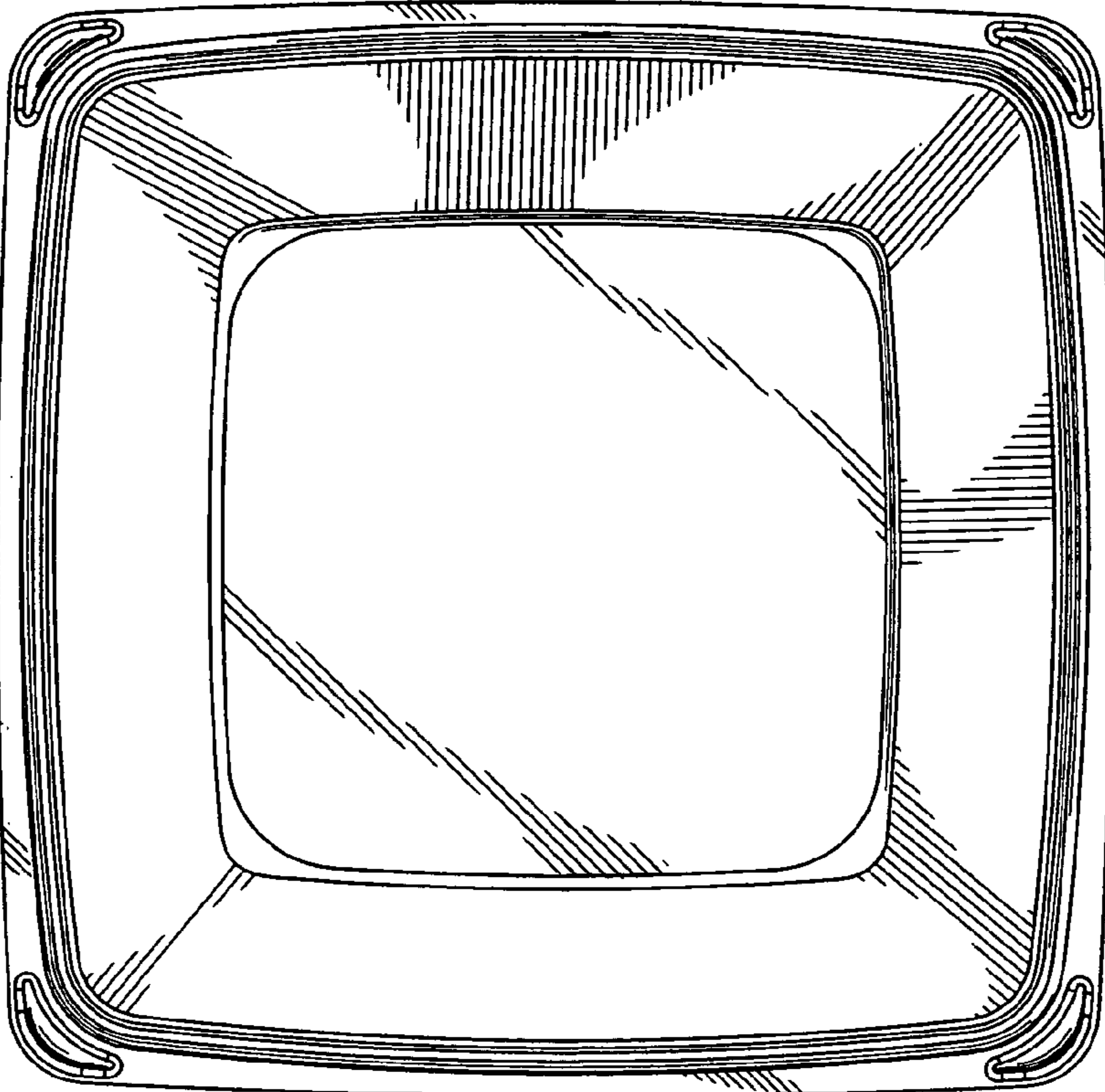


Fig. 2

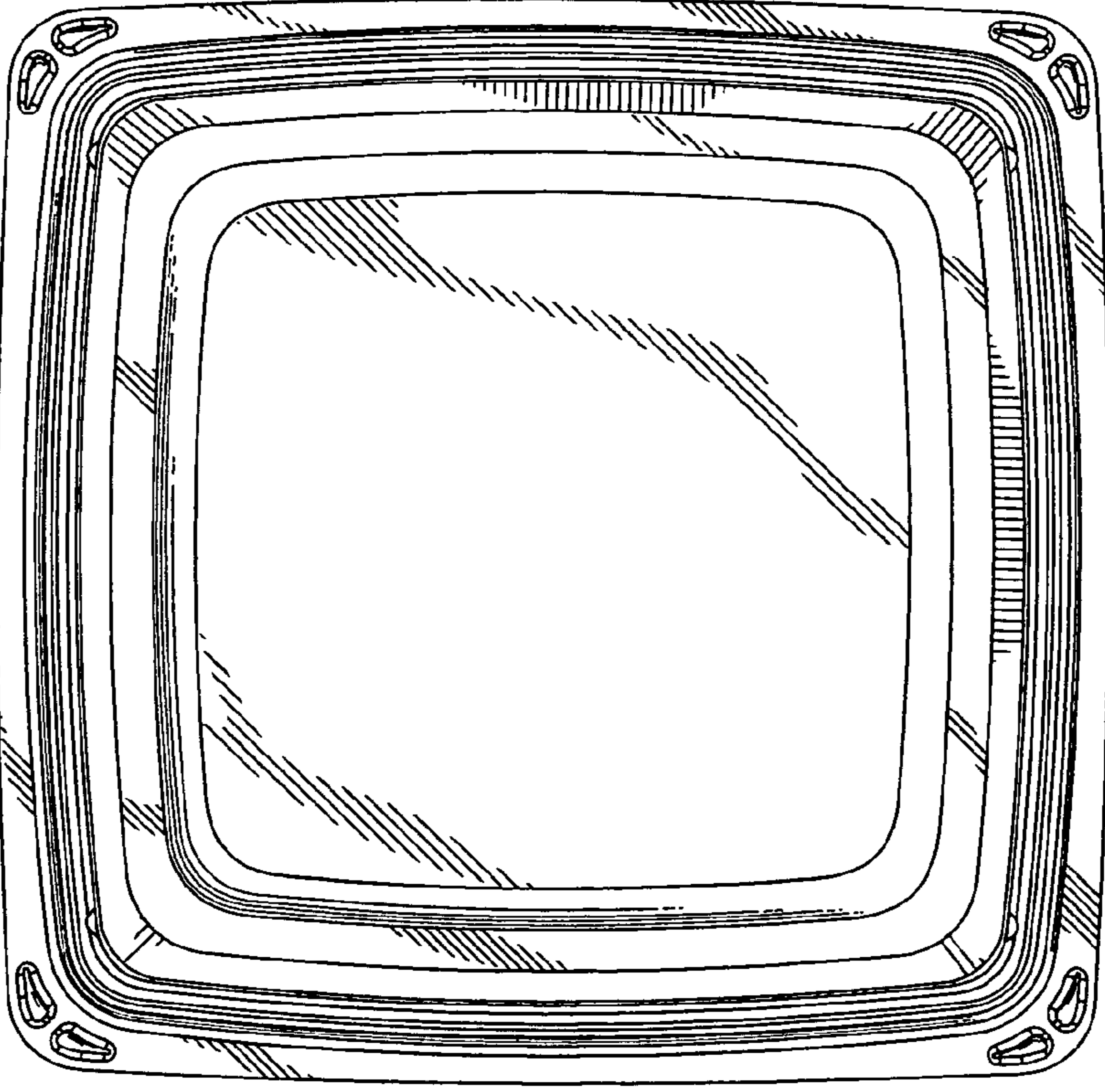


Fig. 4

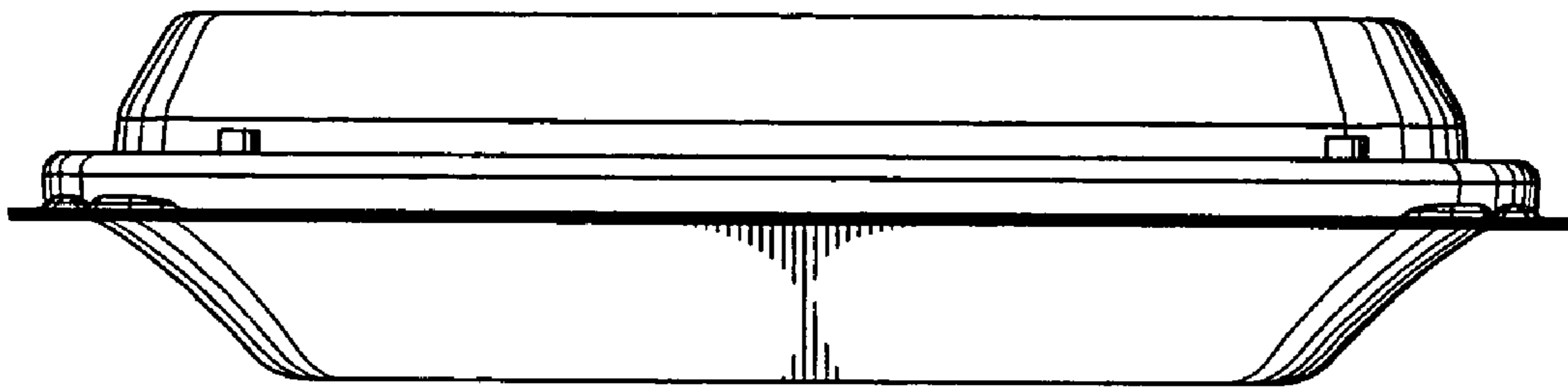


Fig. 5

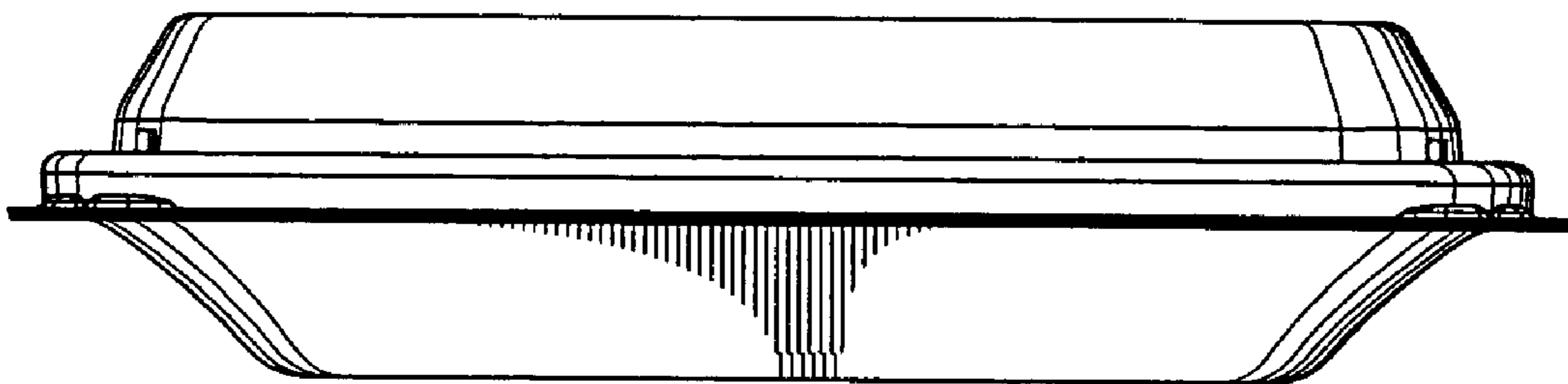


Fig. 7

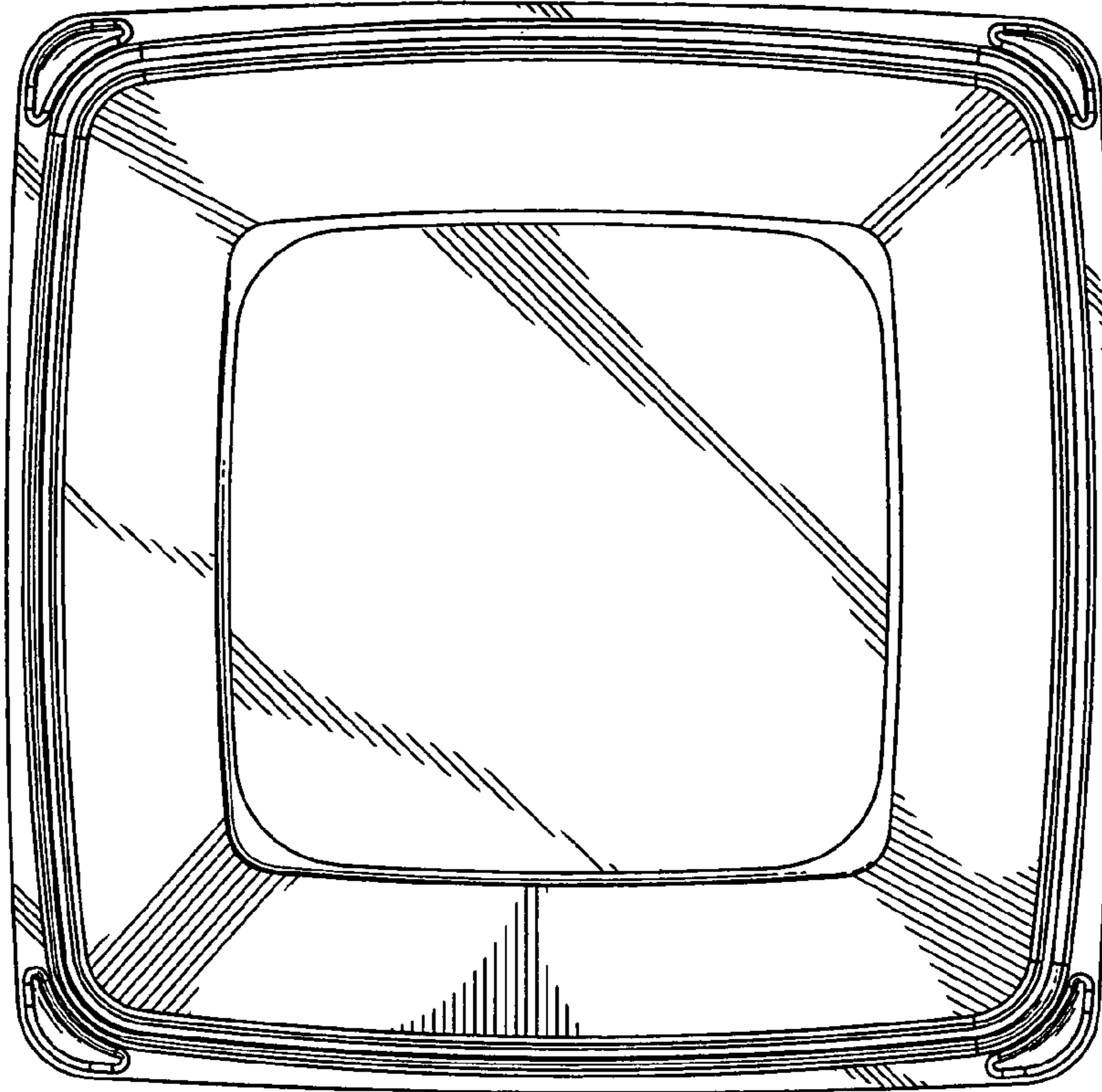


Fig. 6

