



US00D554497S

(12) **United States Design Patent**
VanDerStighelen

(10) **Patent No.:** **US D554,497 S**

(45) **Date of Patent:** **** Nov. 6, 2007**

(54) **PACKAGING FOR CHEWING GUM**

(75) Inventor: **Guillaume VanDerStighelen**, Schoten
(BE)

(73) Assignee: **Duval Guillaume Brussels**, Brussels
(BE)

(**) Term: **14 Years**

(21) Appl. No.: **29/268,444**

(22) Filed: **Nov. 7, 2006**

(30) **Foreign Application Priority Data**

May 30, 2006 (EP) 000537220-0001

(51) **LOC (8) Cl.** **09-03**

(52) **U.S. Cl.** **D9/418; D9/432**

(58) **Field of Classification Search** D9/414-433,
D9/457, 701, 341-348, 560, 730-762, 304,
D9/227; 206/199, 428, 461-471, 495, 806;
229/122, 125, 11, 131.1, 117.16, 242

See application file for complete search history.

(56) **References Cited**

U.S. PATENT DOCUMENTS

D262,191 S * 12/1981 Quillen D9/416
D294,124 S * 2/1988 Angerman D9/415
D329,376 S * 9/1992 Burd D9/418

D346,960 S * 5/1994 Bennett D9/418
D380,964 S * 7/1997 Miller et al. D9/415
D460,689 S * 7/2002 Robinson D9/416
D467,495 S * 12/2002 Lenz et al. D9/418
D480,961 S * 10/2003 Deadman D9/414
D531,893 S * 11/2006 Fahey D9/415
D533,460 S * 12/2006 Terrasi D9/600

* cited by examiner

Primary Examiner—Louis S. Zarfes

Assistant Examiner—Susan E Krakower

(74) *Attorney, Agent, or Firm*—Kirschstein, et al.

(57) **CLAIM**

The ornamental design for packaging for chewing gum, as shown and described.

DESCRIPTION

FIG. 1 is a top, front and left side, perspective view of packaging for chewing gum according to my new design;

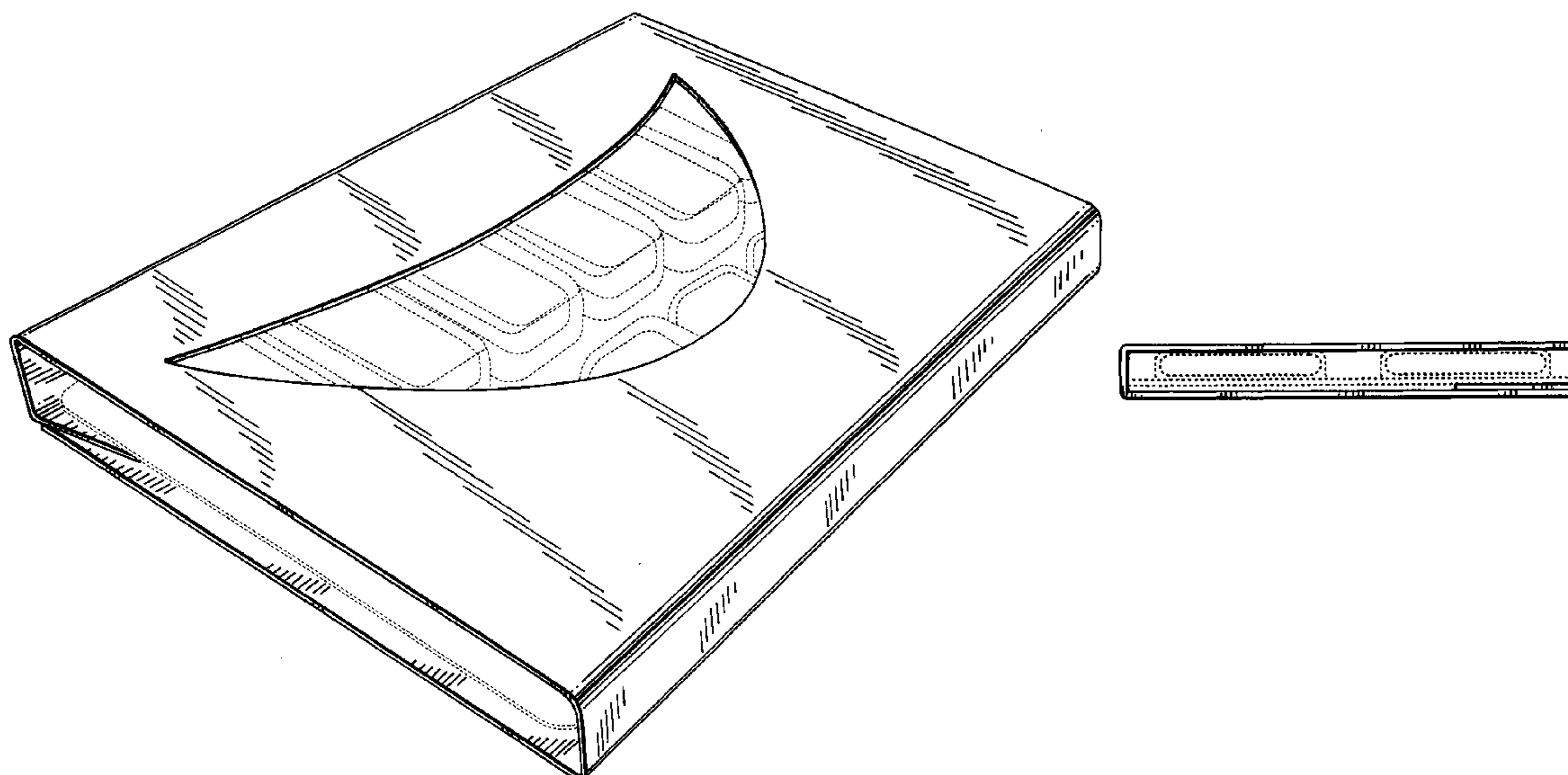
FIG. 2 is a top plan view thereof;

FIG. 3 is a right side elevational view thereof, the left side being a mirror image; and,

FIG. 4 is a rear elevational view thereof.

The dashed lines throughout the views are for environmental purposes and form no part of this invention.

1 Claim, 2 Drawing Sheets



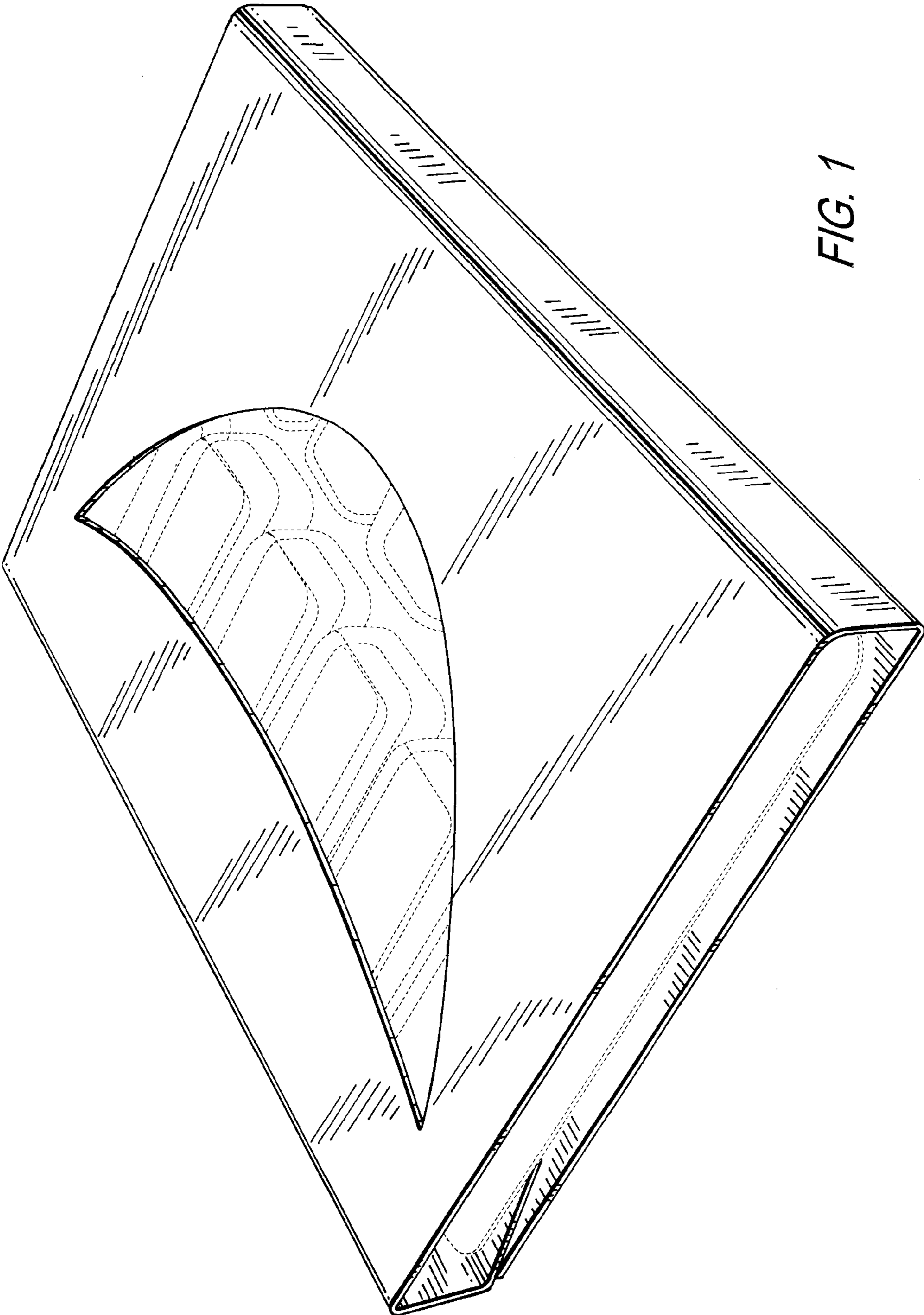


FIG. 1

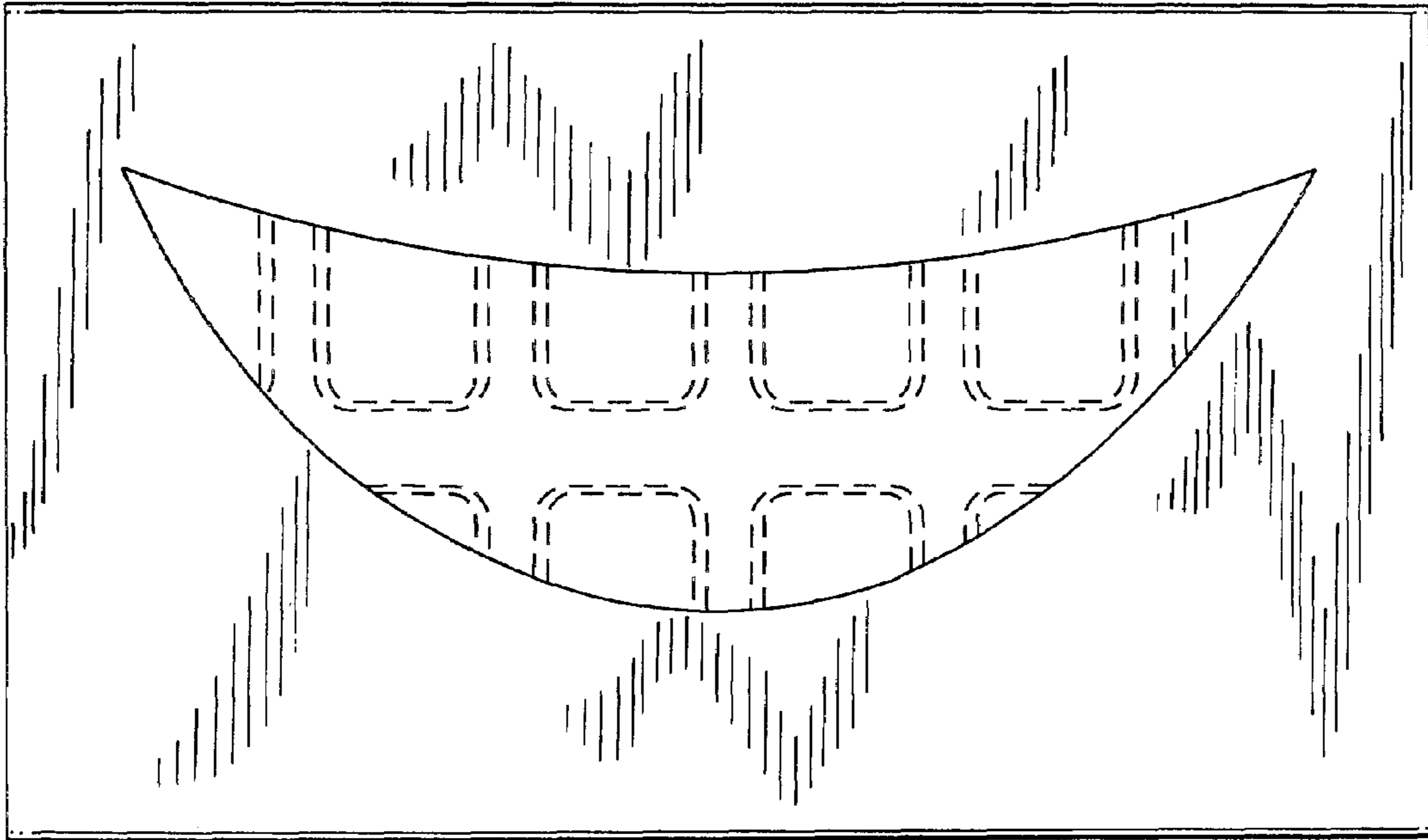


FIG. 2

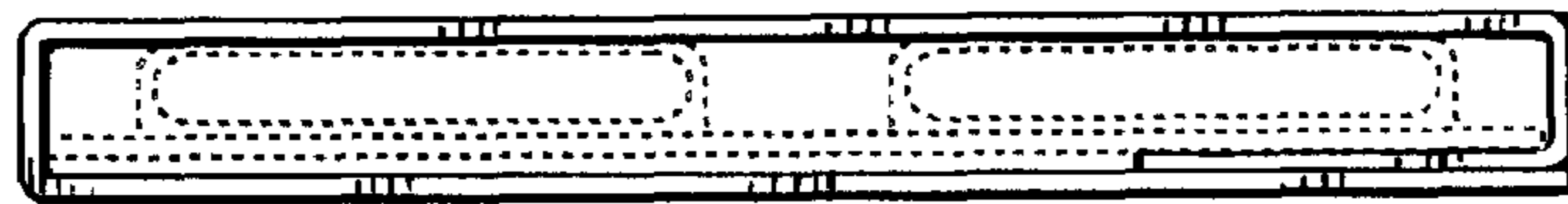


FIG. 3

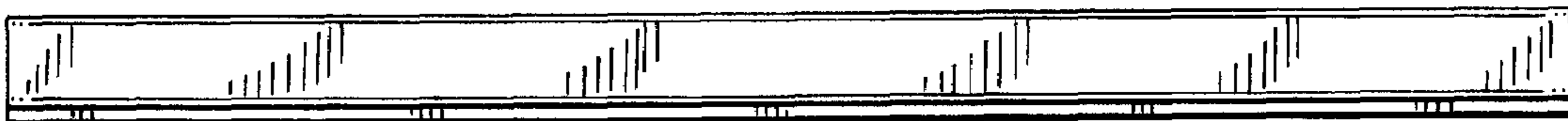


FIG. 4