



US00D554495S

(12) **United States Design Patent**  
**Hanji**

(10) **Patent No.:** **US D554,495 S**

(45) **Date of Patent:** **\*\* Nov. 6, 2007**

(54) **PACKAGING BOX**

D503,612 S \* 4/2005 Krebsbach et al. .... D9/624  
D529,796 S \* 10/2006 Sholeen ..... D9/418

(75) Inventor: **Seigo Hanji**, Nagoya (JP)

\* cited by examiner

(73) Assignee: **Daido Metal Co., Ltd.**, Nagoya (JP)

*Primary Examiner*—Stella M. Reid

(\*\*) Term: **14 Years**

*Assistant Examiner*—Susan E Krakower

(21) Appl. No.: **29/266,809**

(74) *Attorney, Agent, or Firm*—Seyfarth Shaw LLP

(22) Filed: **Sep. 28, 2006**

(57) **CLAIM**

(51) **LOC (8) Cl.** ..... **09-03**

The ornamental design for a packaging box, as shown and described.

(52) **U.S. Cl.** ..... **D9/418; D9/432**

**DESCRIPTION**

(58) **Field of Classification Search** ..... D9/414–433,  
D9/457, 701, 737, 341–348, 560, 730–762,  
D9/304, 227; 206/199, 428, 461–471, 495,  
206/806; 229/122, 125, 11, 131.1, 117.16,  
229/242

FIG. 1 is a top perspective view of a packing box showing my new design;

FIG. 2 is a bottom perspective view thereof;

FIG. 3 is a top plan view thereof;

FIG. 4 is a side elevational view thereof;

FIG. 5 is the opposite side elevational view thereof;

FIG. 6 is an end elevational view thereof;

FIG. 7 is the opposite end elevational view thereof;

FIG. 8 is a bottom plan view thereof; and,

FIG. 9 is a top exploded perspective view thereof.

See application file for complete search history.

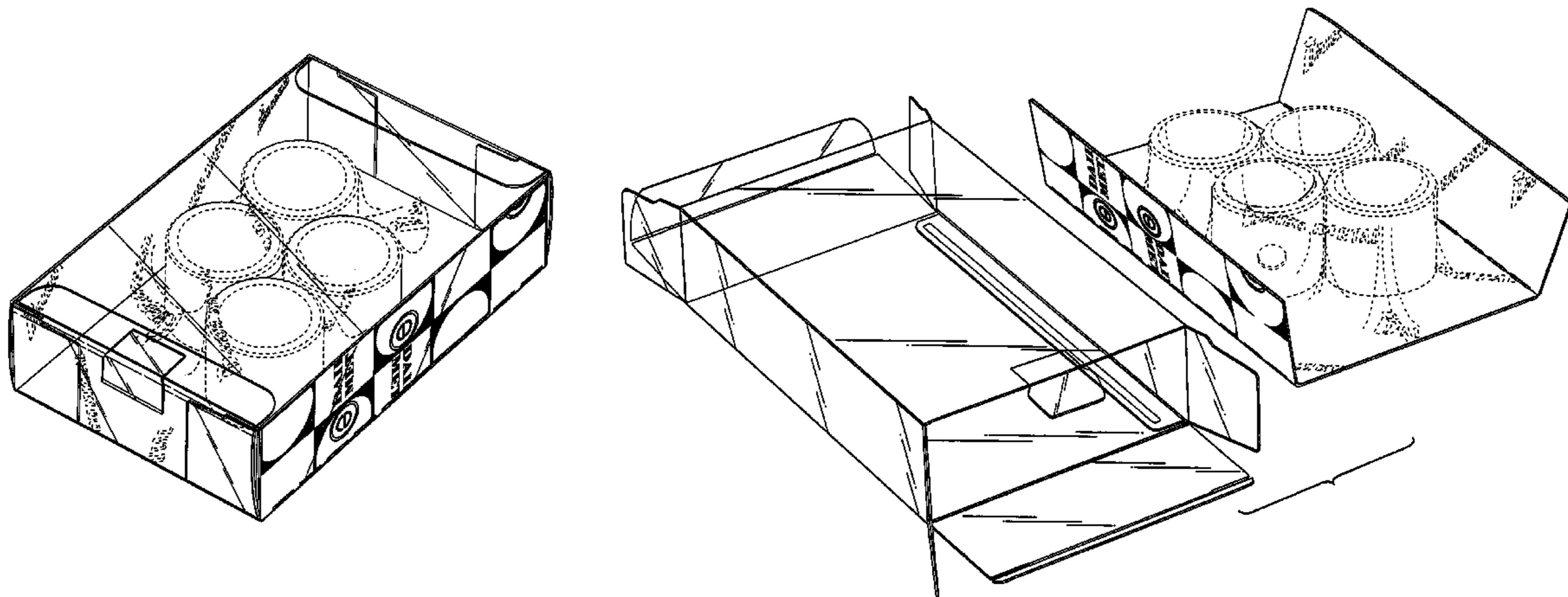
The broken line showing of 4 canisters are included for the purpose of illustrating environmental structure and forms no part of the claimed design.

(56) **References Cited**

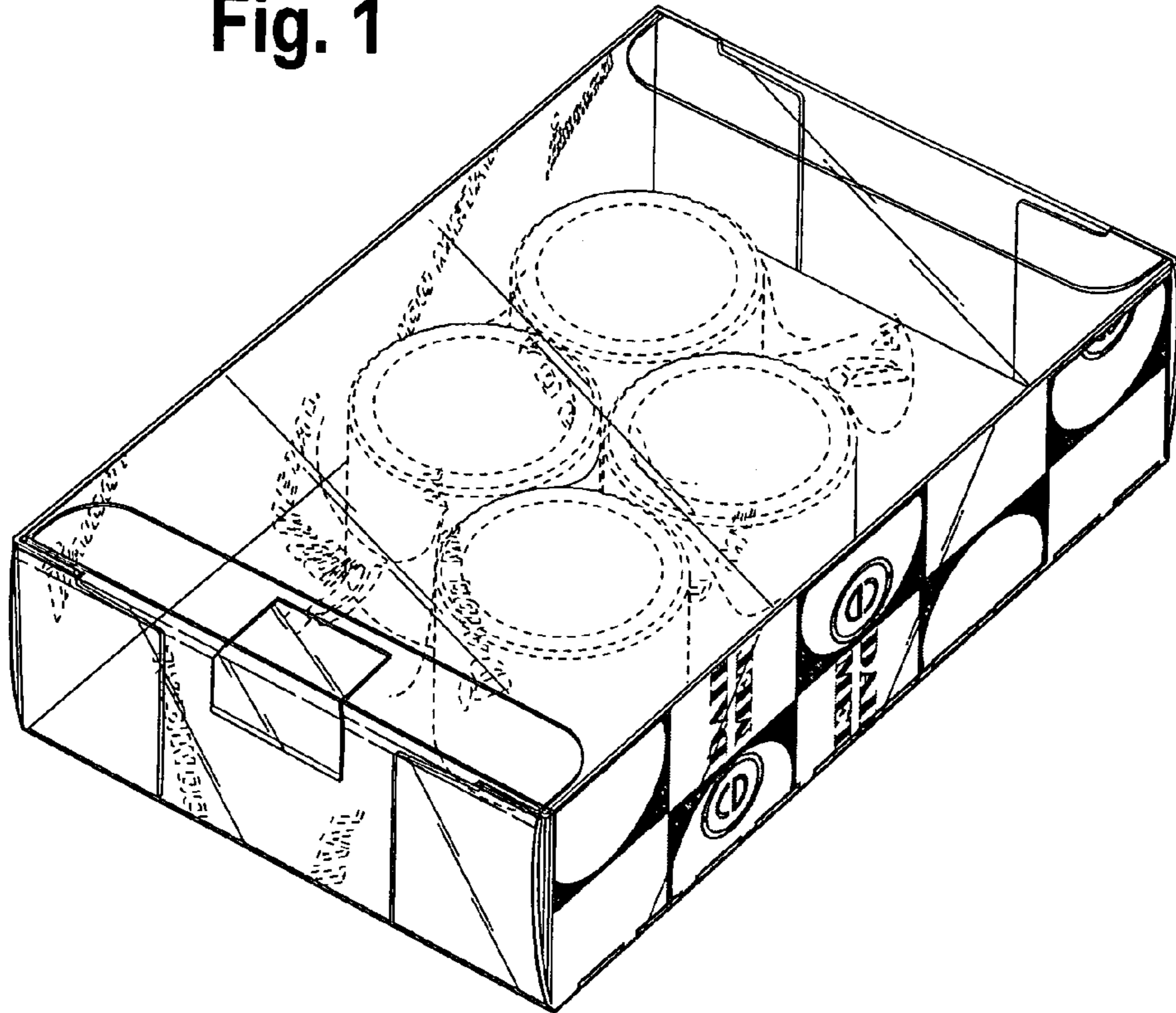
**U.S. PATENT DOCUMENTS**

D40,414	S	*	12/1909	Valentine	.....	D5/60
3,016,180	A	*	1/1962	Struble	.....	229/162.1
D216,934	S	*	3/1970	Hicks	.....	D6/582
D218,880	S	*	10/1970	Conesa	.....	D9/432
D253,517	S	*	11/1979	Grodin	.....	D9/432
D261,866	S	*	11/1981	Matsumoto	.....	D9/432
4,318,474	A	*	3/1982	Hasegawa	.....	206/428
D284,450	S	*	7/1986	Suzuki et al.	.....	D9/432
D291,534	S	*	8/1987	Hamilton et al.	.....	D9/761
D503,087	S	*	3/2005	Dzwill et al.	.....	D9/416

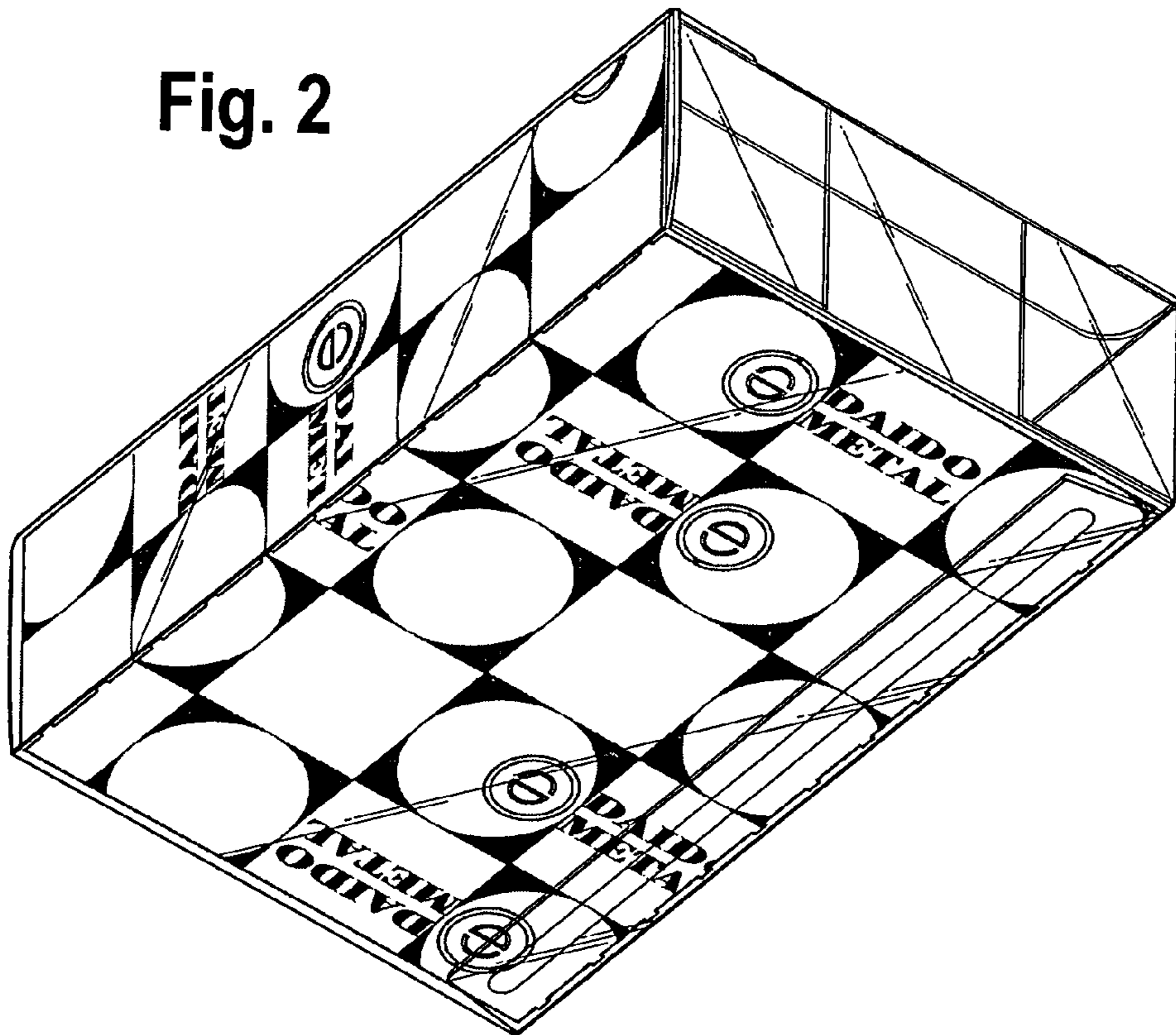
**1 Claim, 4 Drawing Sheets**



**Fig. 1**

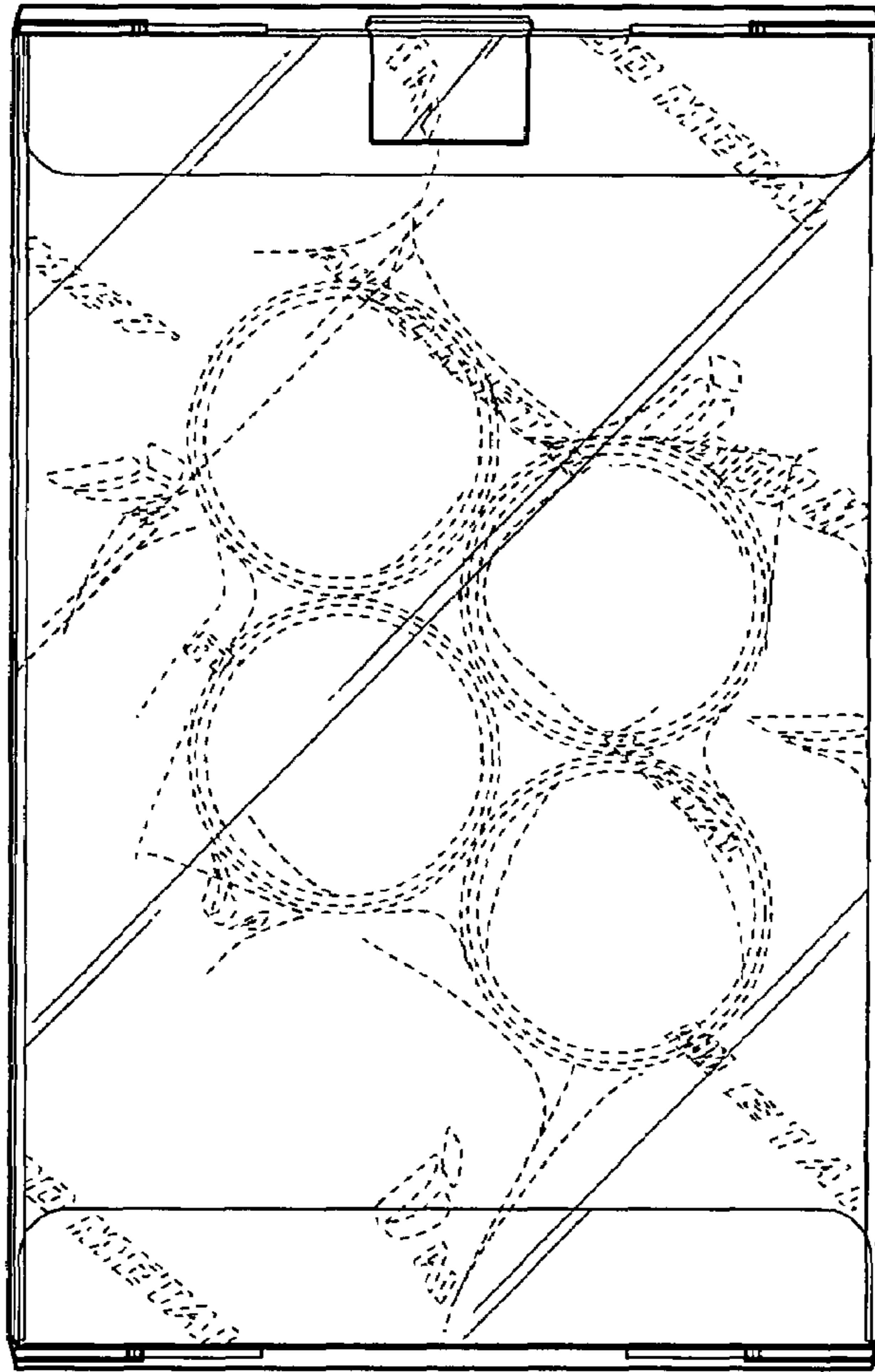


**Fig. 2**

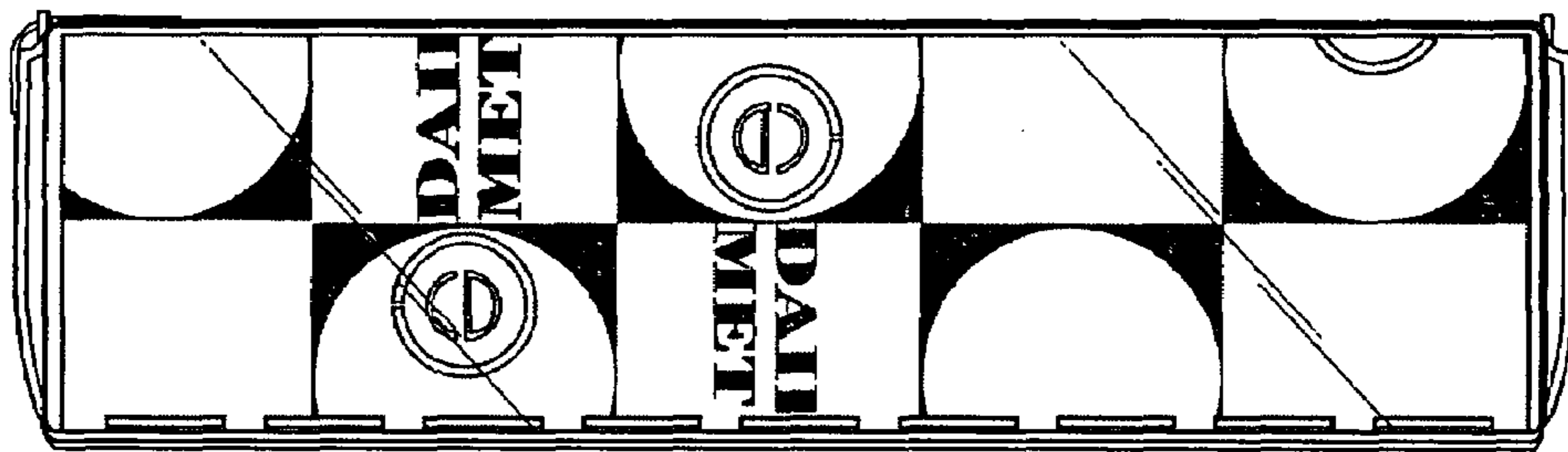




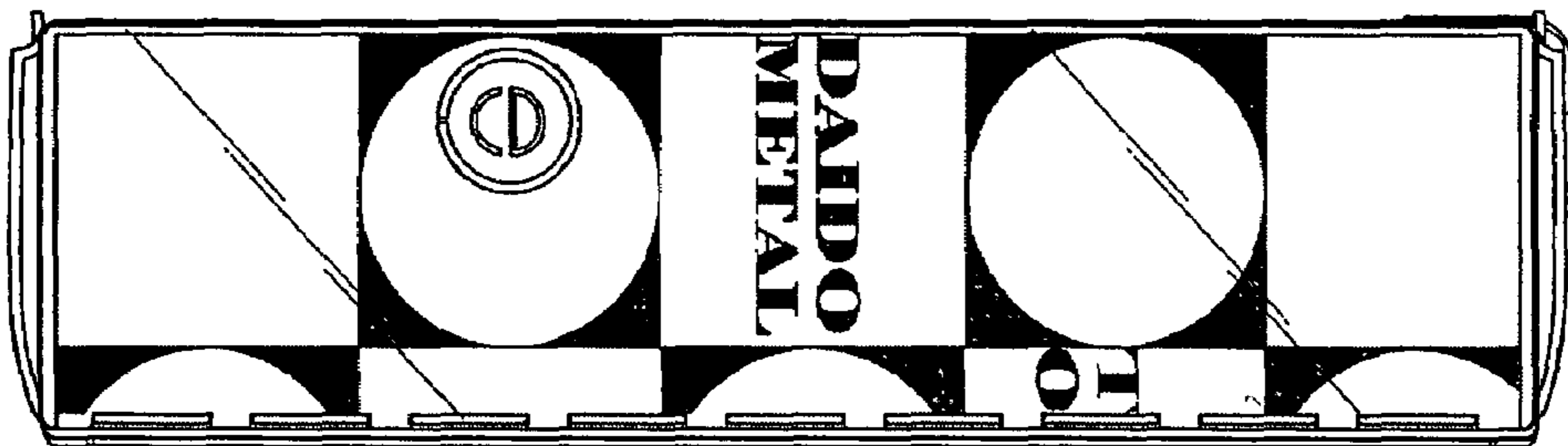
**Fig. 3**



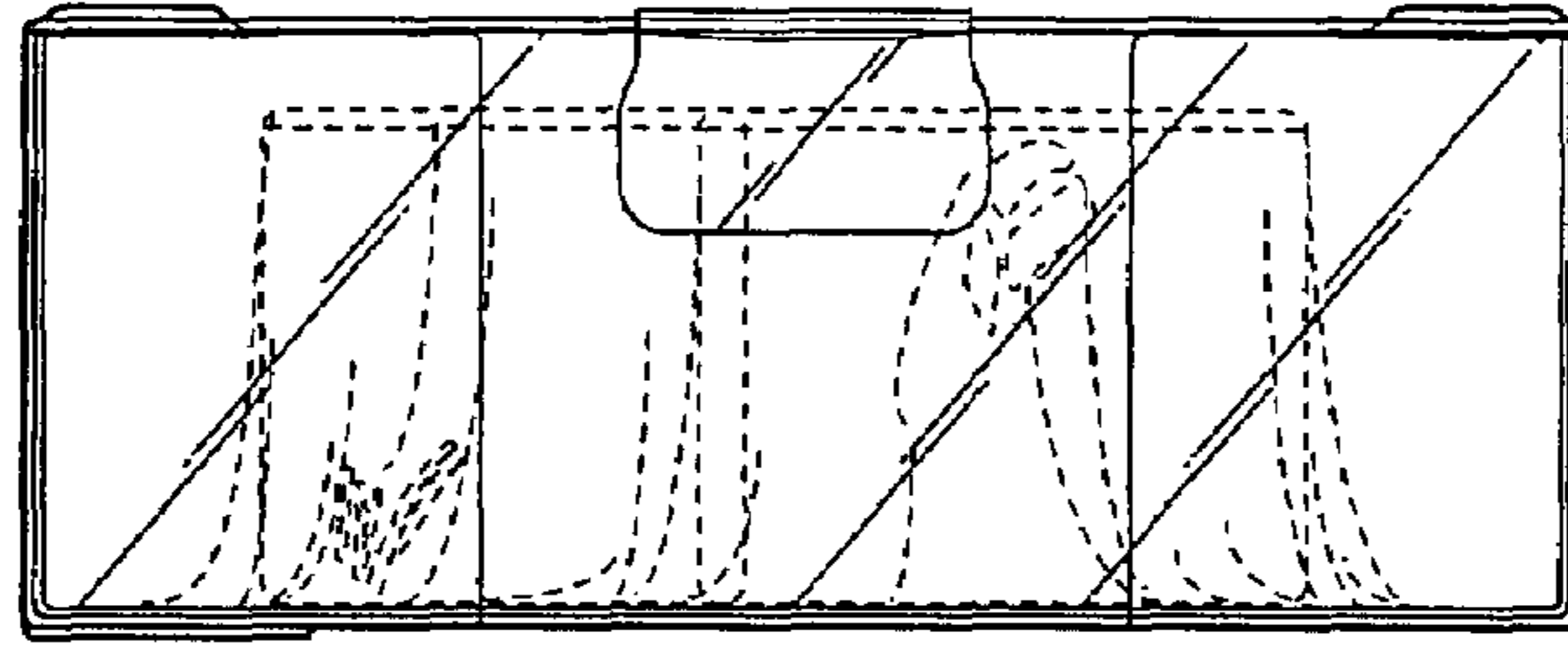
**Fig. 4**



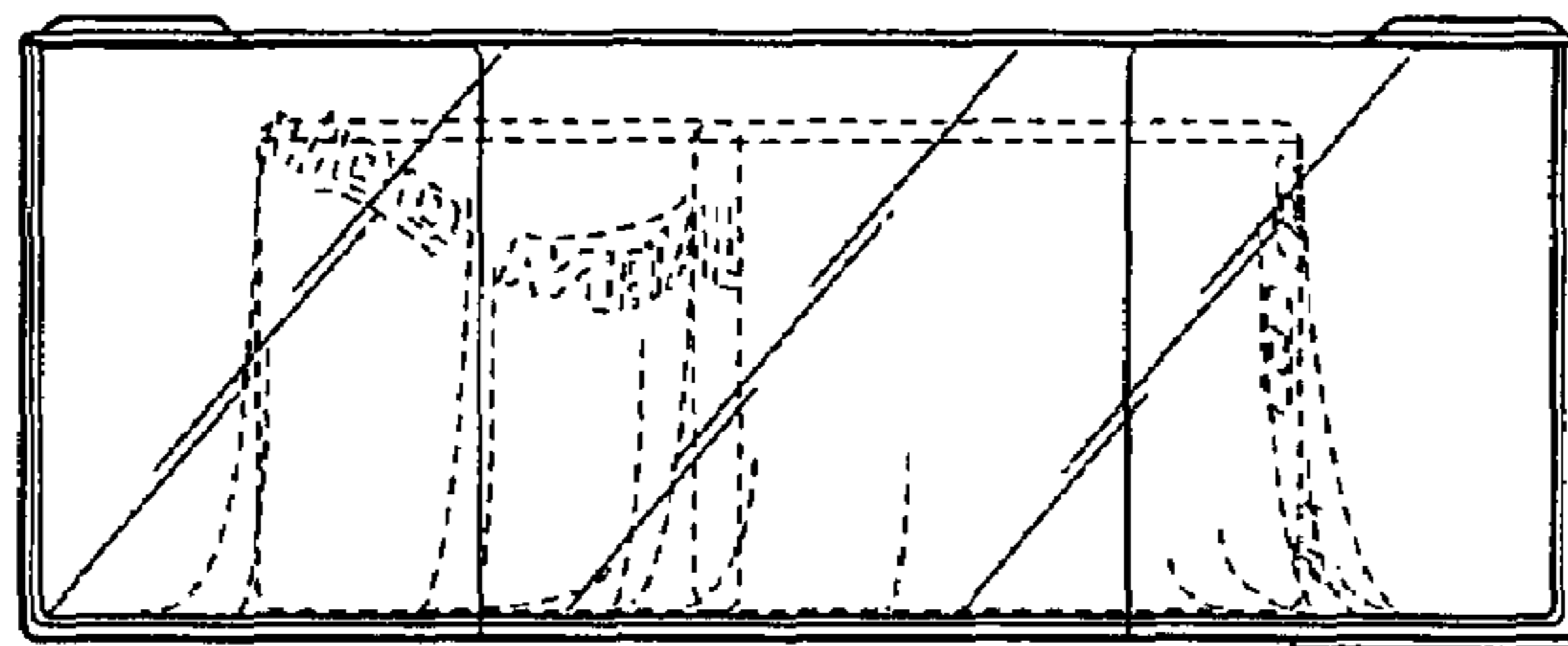
**Fig. 5**



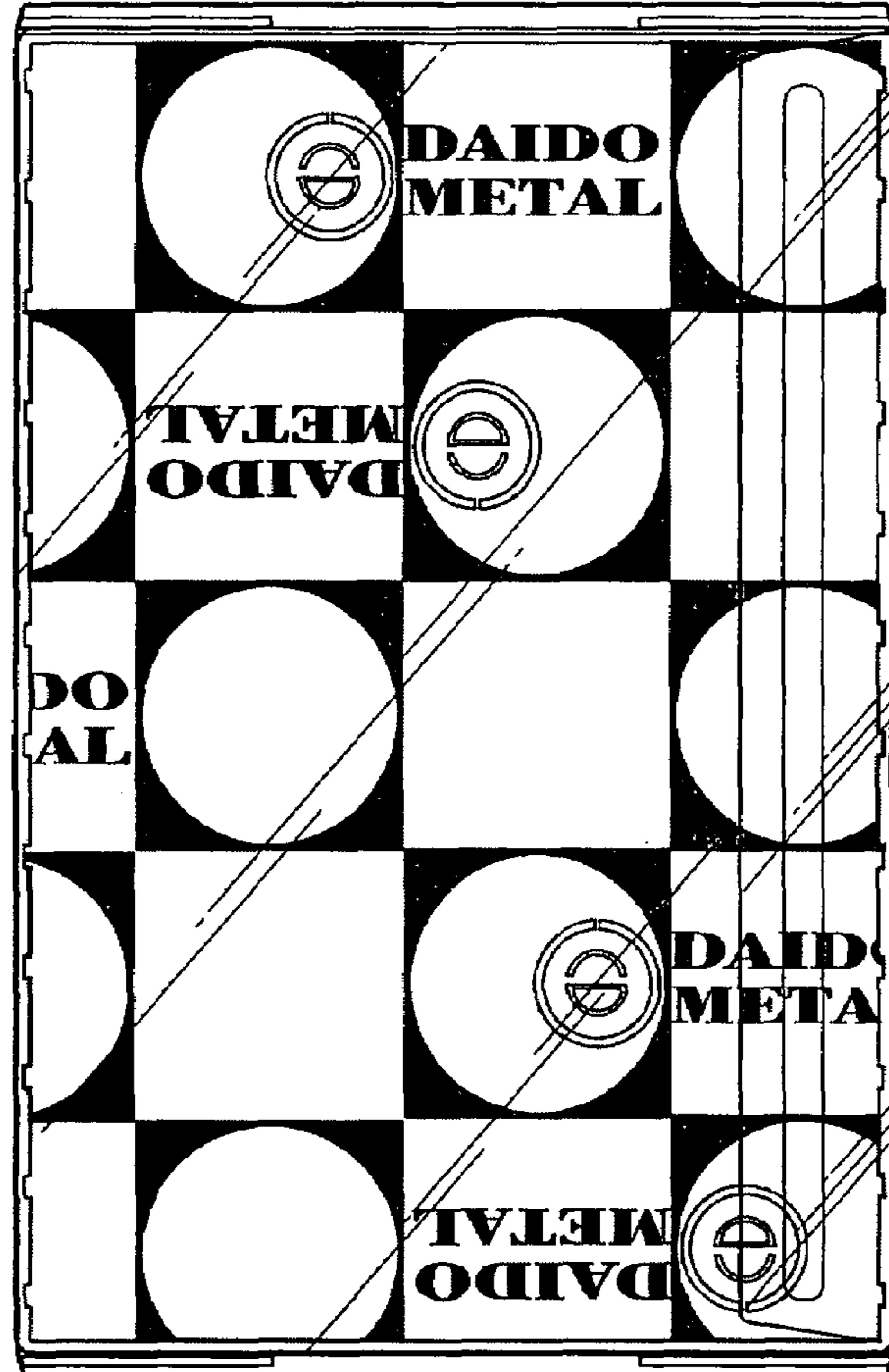
**Fig. 6**



**Fig. 7**



**Fig. 8**



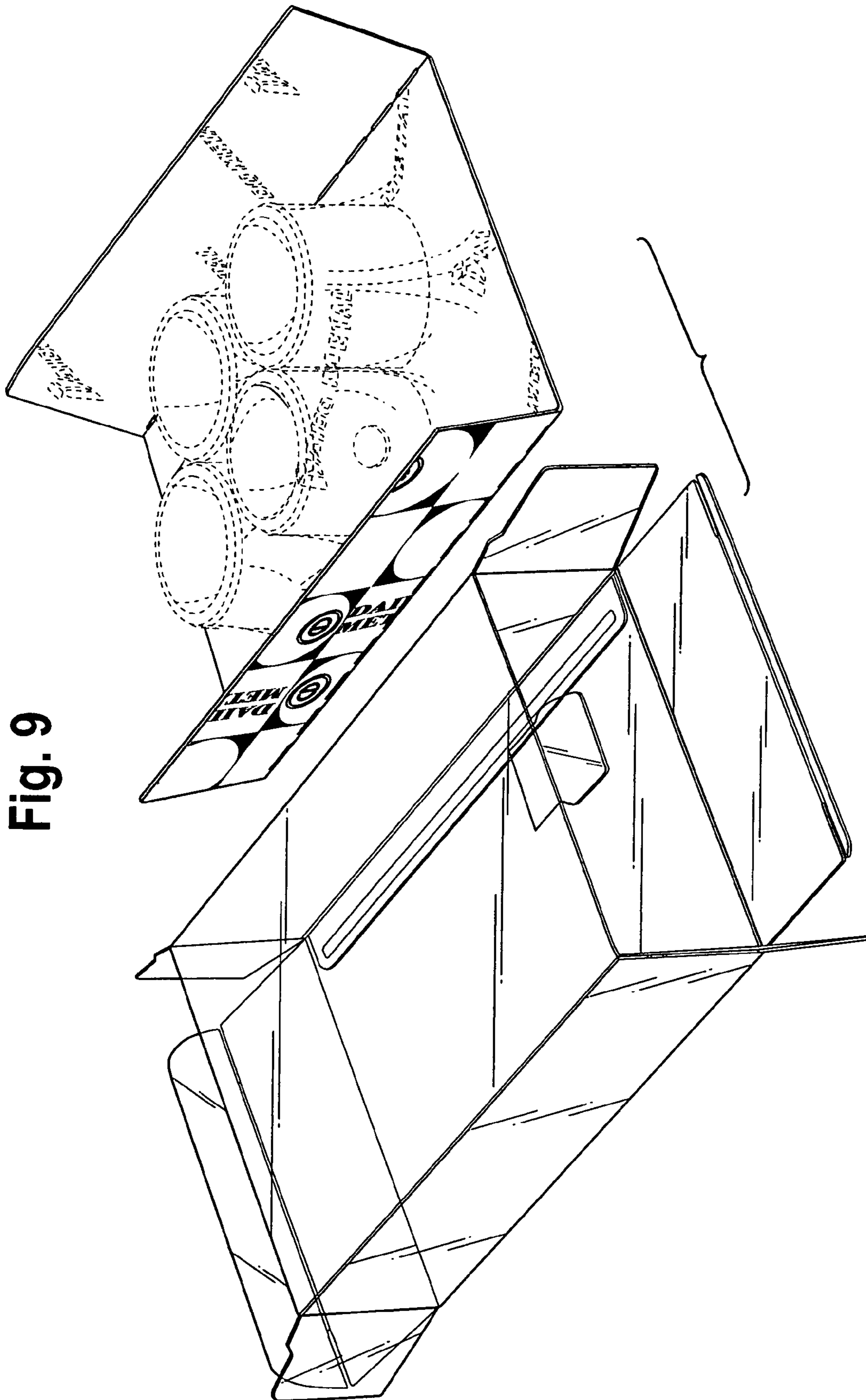


Fig. 9