



US00D554490S

(12) **United States Design Patent**
Jeon

(10) **Patent No.:** **US D554,490 S**

(45) **Date of Patent:** **** Nov. 6, 2007**

(54) **SLIDING MECHANISM**

(76) Inventor: **Byoung-Jin Jeon**, 102-2006, Ssangyong Apt., 1014, Jeongneung-dong, Seongbuk-gu, Seoul (KR) 136-100

(**) Term: **14 Years**

(21) Appl. No.: **29/228,512**

(22) Filed: **Apr. 22, 2005**

(51) **LOC (8) Cl.** **08-99**

(52) **U.S. Cl.** **D8/499**

(58) **Field of Classification Search** D25/99;
220/560.07, 811-813, 1.5; 296/181.3, 225,
296/182.1, 100.03, 100.12, 107.19; 410/96;
414/137.1; 72/457, 479, 705; 53/382.1,
53/381.1; 7/156; 30/2; 81/3.55, 3.07, 3.09,
81/3.47; 160/368.1; 292/183; 16/87 R;
294/19.1, 24, 26; D8/57, 14, 18, 33, 40,
D8/308, 309, 311; 254/1, 16, 39; D34/28,
D34/35

See application file for complete search history.

(56) **References Cited**

U.S. PATENT DOCUMENTS

4,046,186 A * 9/1977 Nordstrom 160/368.1
4,120,189 A * 10/1978 Jones, Jr. 72/457
4,541,311 A * 9/1985 Trammell, Jr. 81/3.8
D286,007 S * 10/1986 Hardgrove D8/44
D288,666 S * 3/1987 Brun D9/434

4,770,025 A * 9/1988 Graf 72/422
D315,615 S * 3/1991 Goldstein D26/113
D359,208 S * 6/1995 Ivey D8/14
D362,650 S * 9/1995 Burns D12/118
5,857,723 A * 1/1999 Mathieu et al. 294/19.1
6,578,223 B1 * 6/2003 Link et al. 7/156
6,619,013 B2 * 9/2003 Dismukes 53/382.1
D519,368 S * 4/2006 Turvey D9/434

* cited by examiner

Primary Examiner—Louis S. Zarfes

Assistant Examiner—Anna K Dworzecka

(74) *Attorney, Agent, or Firm*—Keusey, Tutunjian & Bitetto, P.C.

(57) **CLAIM**

The ornamental design for a sliding mechanism, as shown and described.

DESCRIPTION

FIG. 1 is a perspective view of a sliding mechanism showing the new design;

FIG. 2 is a left side view of the sliding mechanism;

FIG. 3 is a right side view of the sliding mechanism;

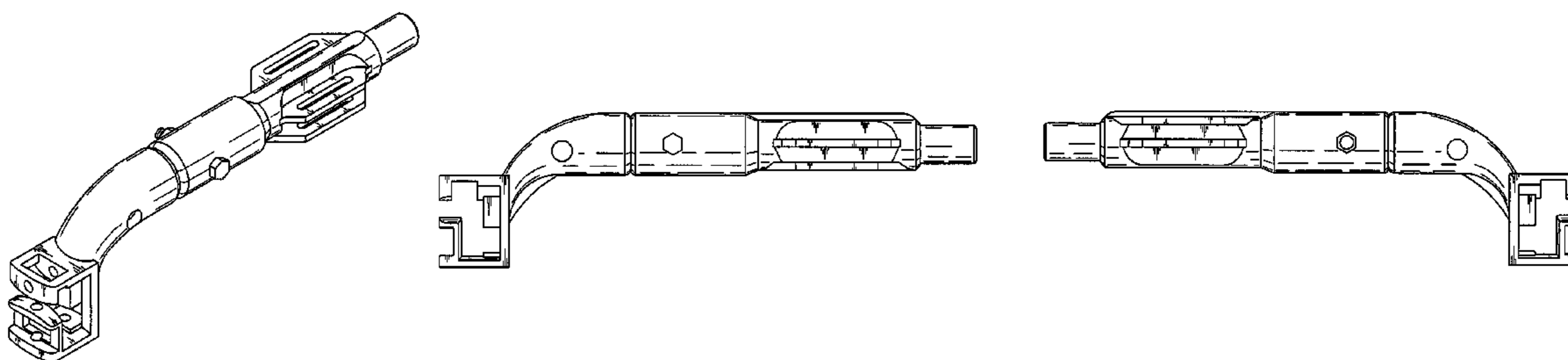
FIG. 4 is a front view of the sliding mechanism;

FIG. 5 is a rear view of the sliding mechanism;

FIG. 6 is a top view of the sliding mechanism; and,

FIG. 7 is a bottom view of the sliding mechanism.

1 Claim, 2 Drawing Sheets



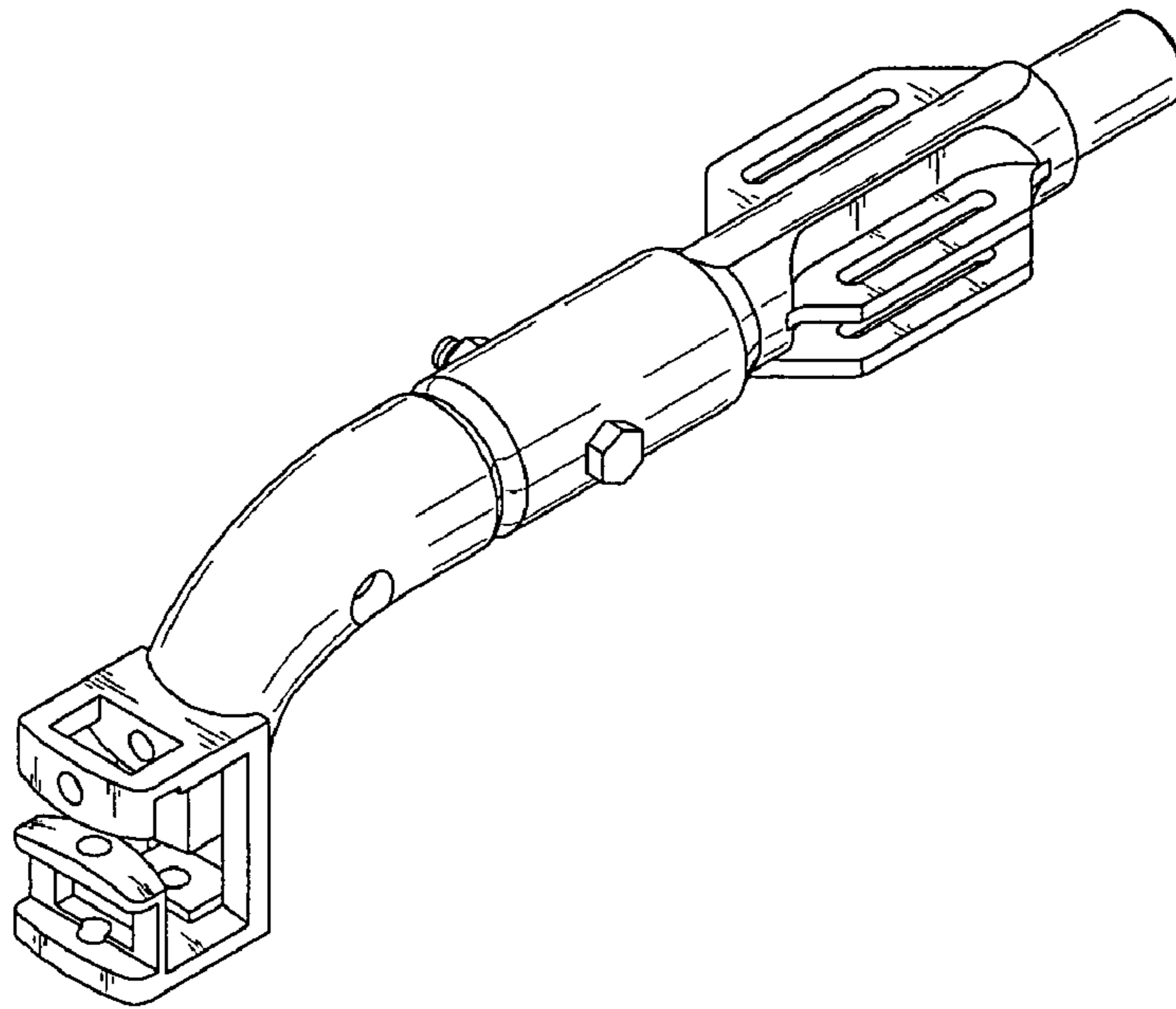


FIG. 1

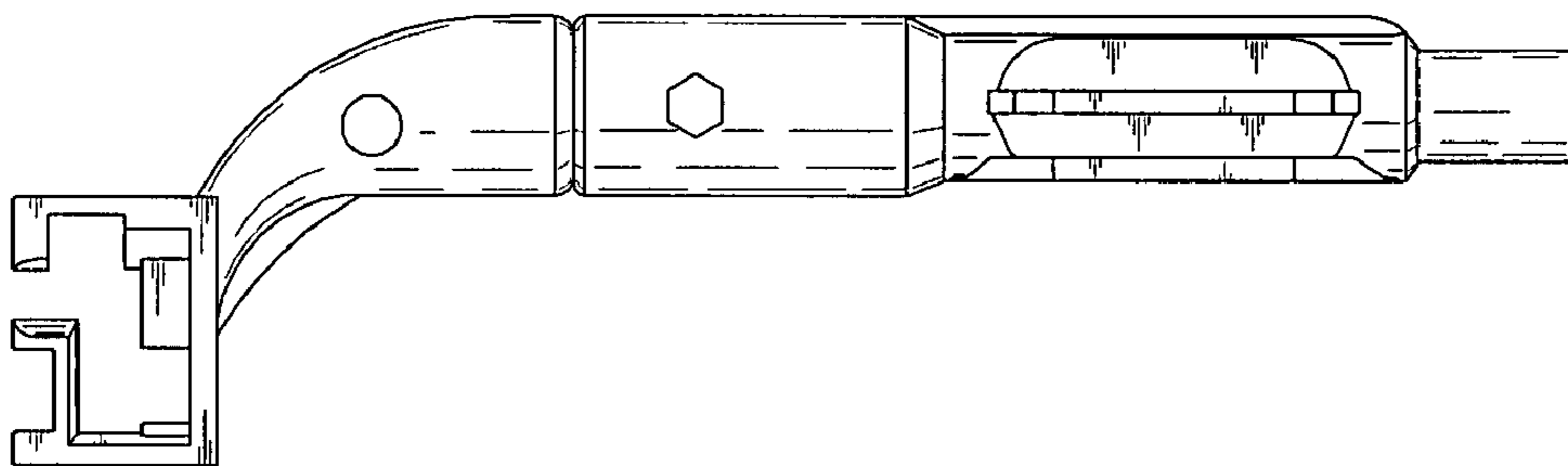


FIG. 2

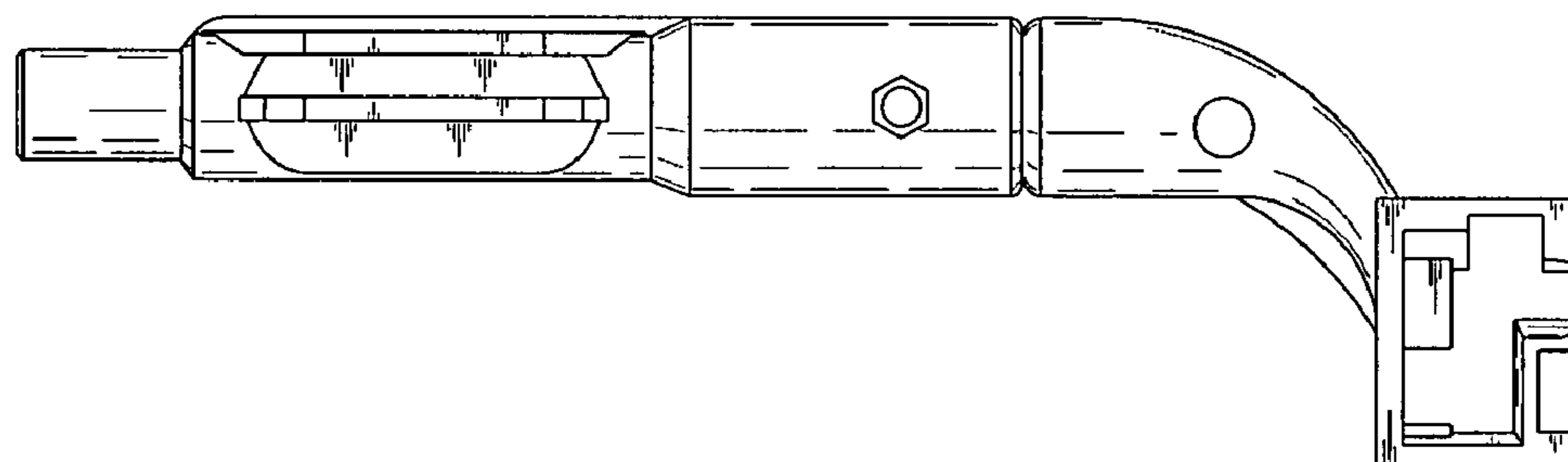


FIG. 3

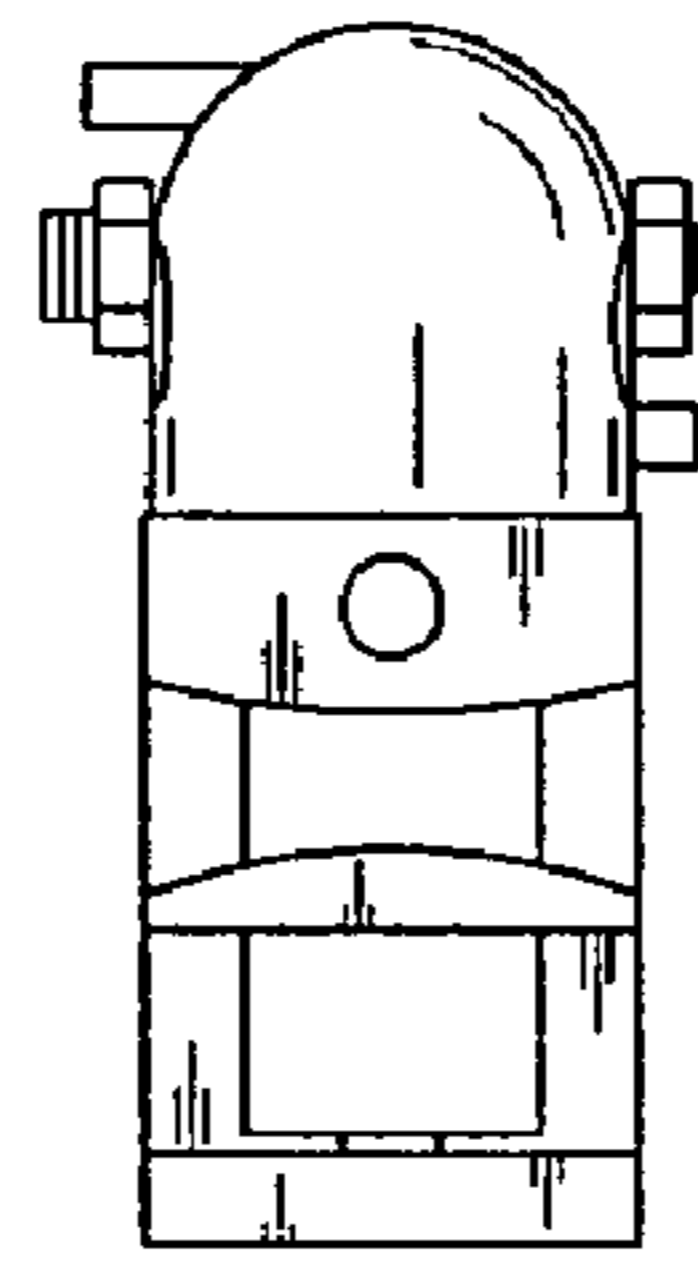


FIG. 4

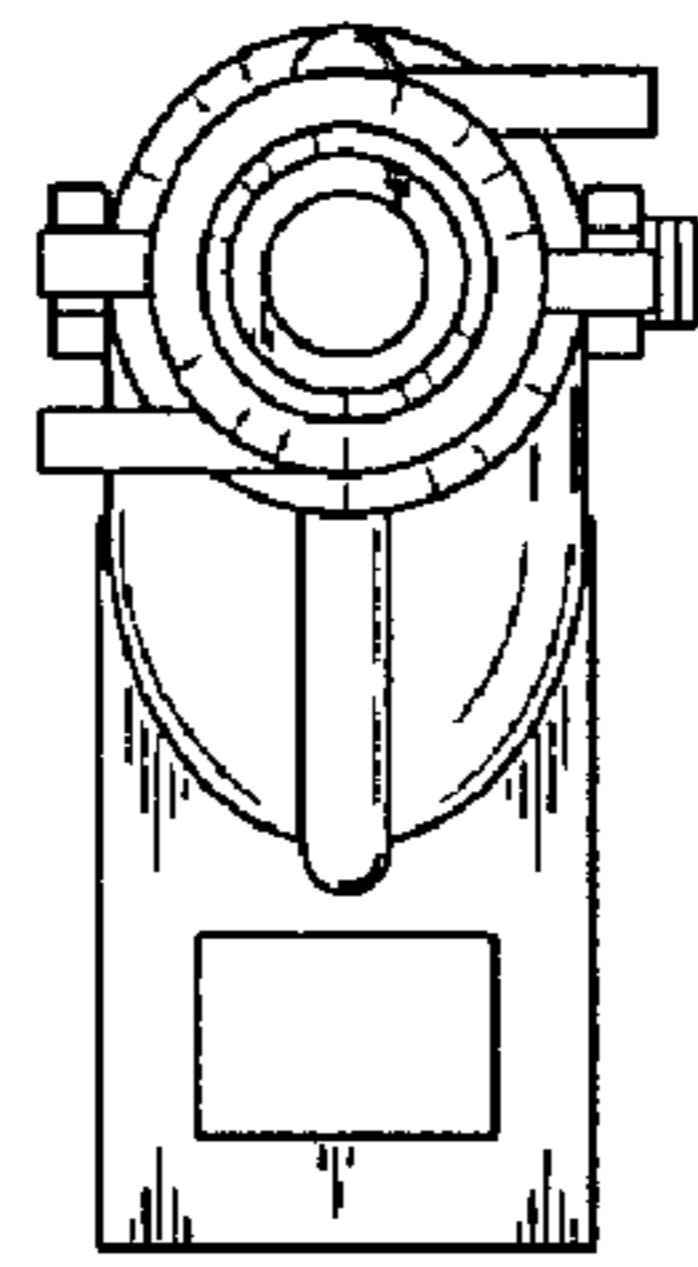


FIG. 5

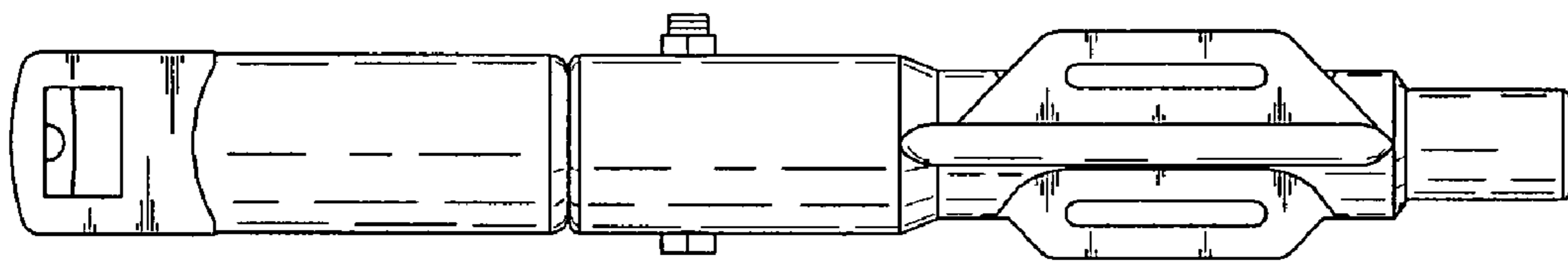


FIG. 6

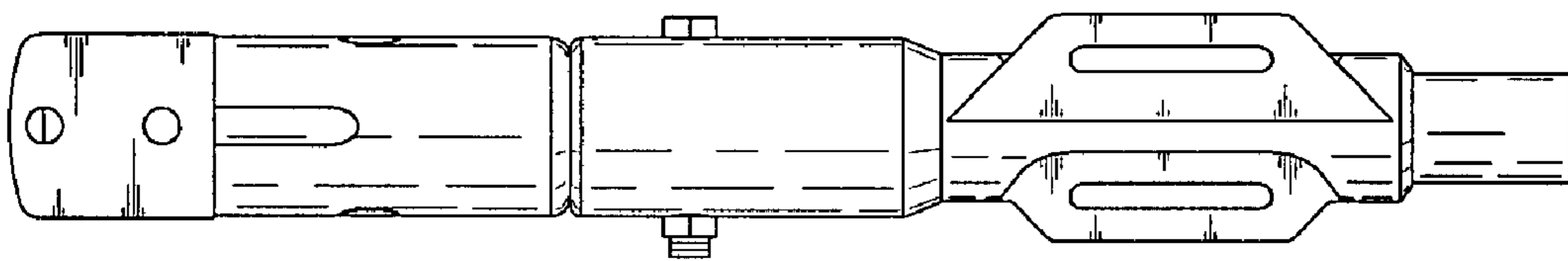


FIG. 7