



US00D554488S

(12) **United States Design Patent**
Musselman

(10) **Patent No.:** **US D554,488 S**

(45) **Date of Patent:** **** Nov. 6, 2007**

(54) **STABILIZING STUD MOUNT**

(75) Inventor: **Robert S. Musselman**, Hope, MI (US)

(73) Assignee: **International Engineering and Manufacturing, Inc.**, Hope, MI (US)

(**) Term: **14 Years**

(21) Appl. No.: **29/240,494**

(22) Filed: **Oct. 14, 2005**

(51) **LOC (8) Cl.** **08-08**

(52) **U.S. Cl.** **D8/388**

(58) **Field of Classification Search** D8/382,
D8/385, 387, 388, 391; 411/55, 393, 402,
411/403

See application file for complete search history.

(56) **References Cited**

U.S. PATENT DOCUMENTS

4,181,061	A *	1/1980	McSherry	411/55
D256,552	S *	8/1980	Rowinski	D8/385
4,704,057	A *	11/1987	McSherry	411/55
4,752,170	A *	6/1988	McSherry et al.	411/80.1
D300,721	S *	4/1989	Whitley, II	D8/356
4,878,790	A *	11/1989	McSherry et al.	411/34

D325,869	S *	5/1992	Rubenstein et al.	D8/385
D483,247	S *	12/2003	Pugh	D8/356
D484,786	S *	1/2004	O'Connor	D8/398
D512,487	S *	12/2005	Kulig et al.	D23/252

* cited by examiner

Primary Examiner—Holly H. Baynham

Assistant Examiner—Sheryl Friedman

(74) *Attorney, Agent, or Firm*—Robert L. McKellar;
McKellar IP Law, PLLC

(57) **CLAIM**

The ornamental design for a stabilizing stud mount, as shown and described.

DESCRIPTION

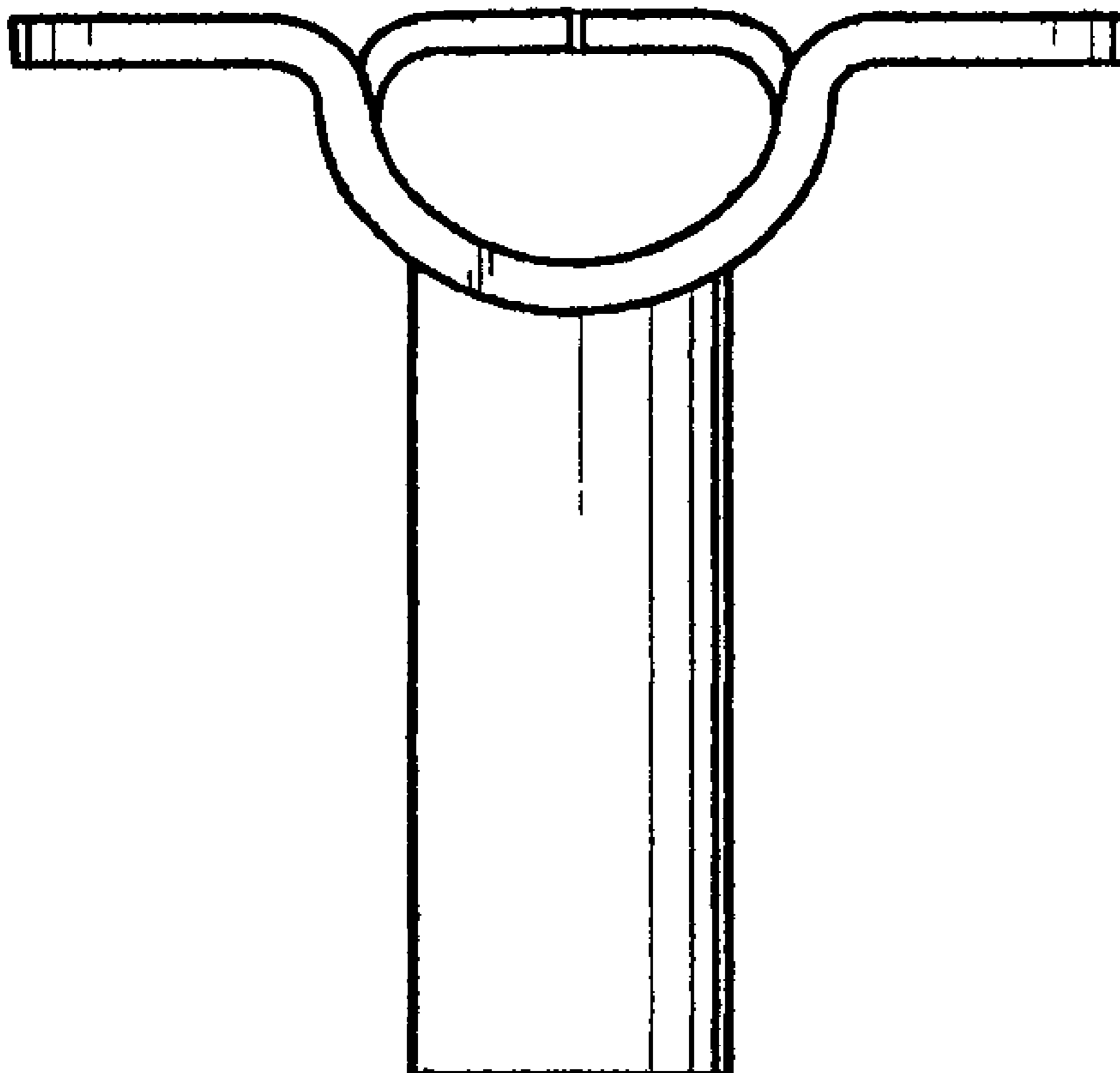
FIG. 1 is a side elevational view of a stabilizing stud mount showing my new design of the present invention;

FIG. 2 is a side elevational view thereof taken from the right side of FIG. 1, it being understood that the opposite side is a mirror image thereof;

FIG. 3 is a bottom view thereof; and,

FIG. 4 is a top plan view thereof.

1 Claim, 1 Drawing Sheet



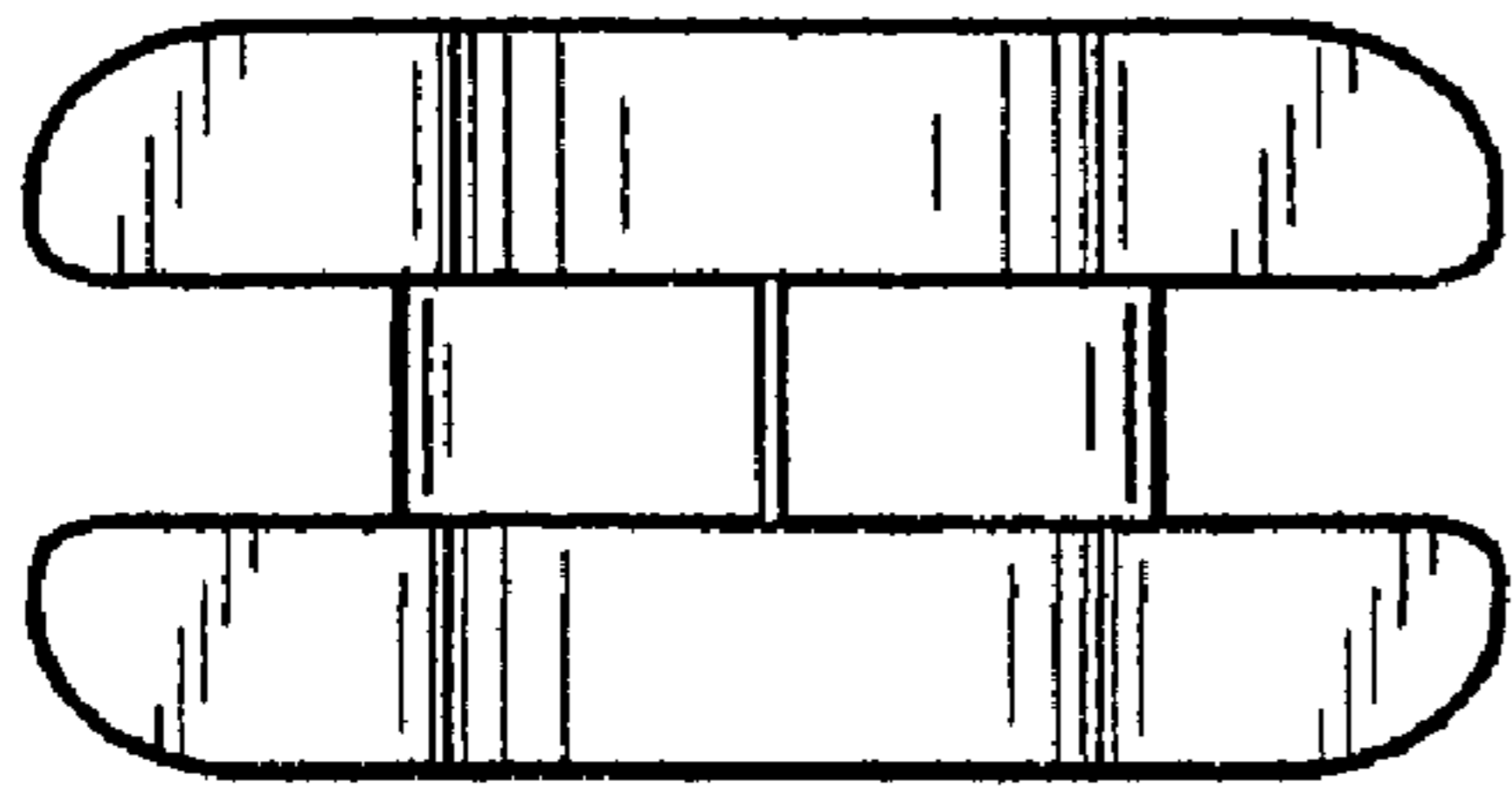


Fig. 4

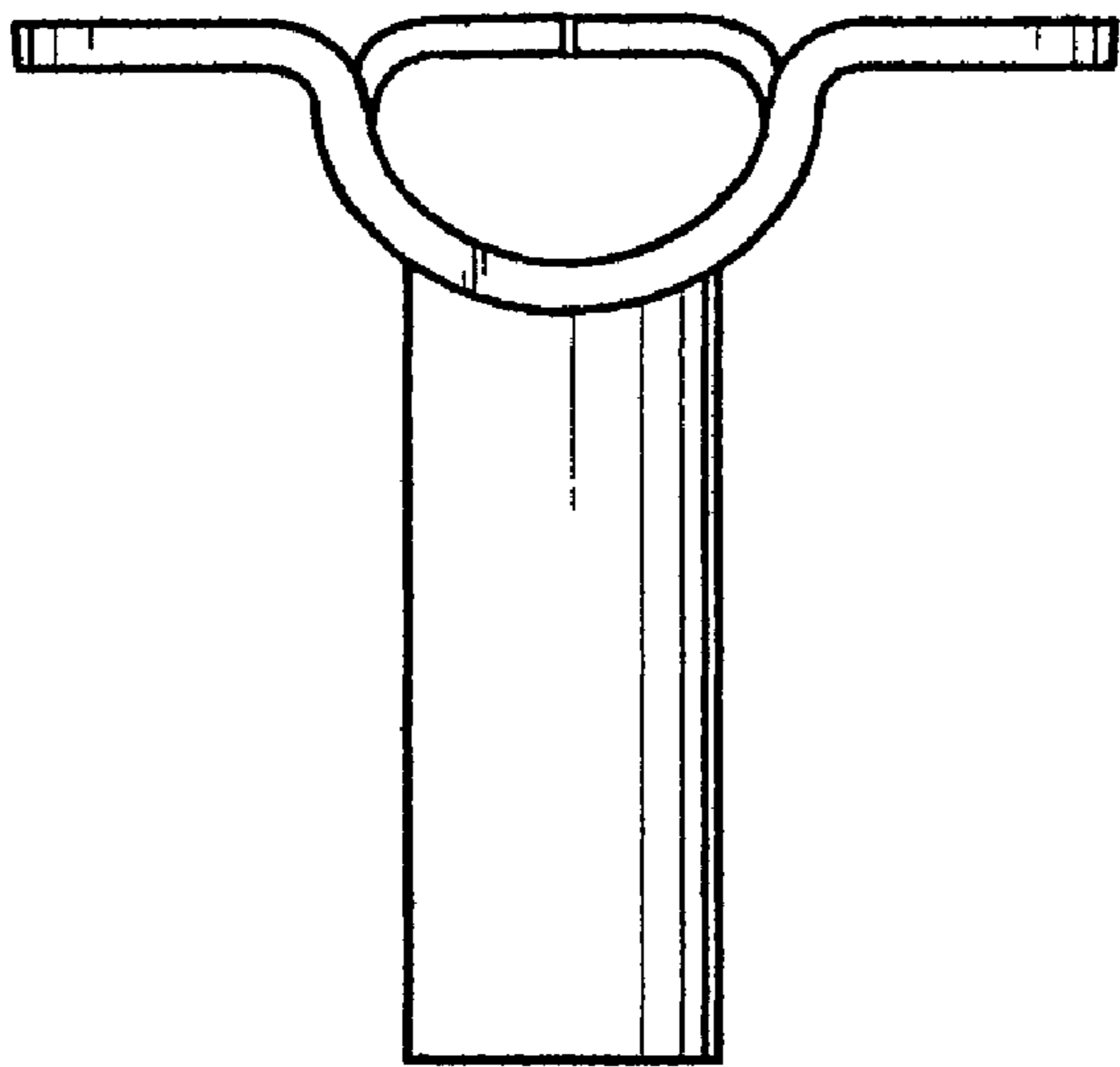


Fig. 1

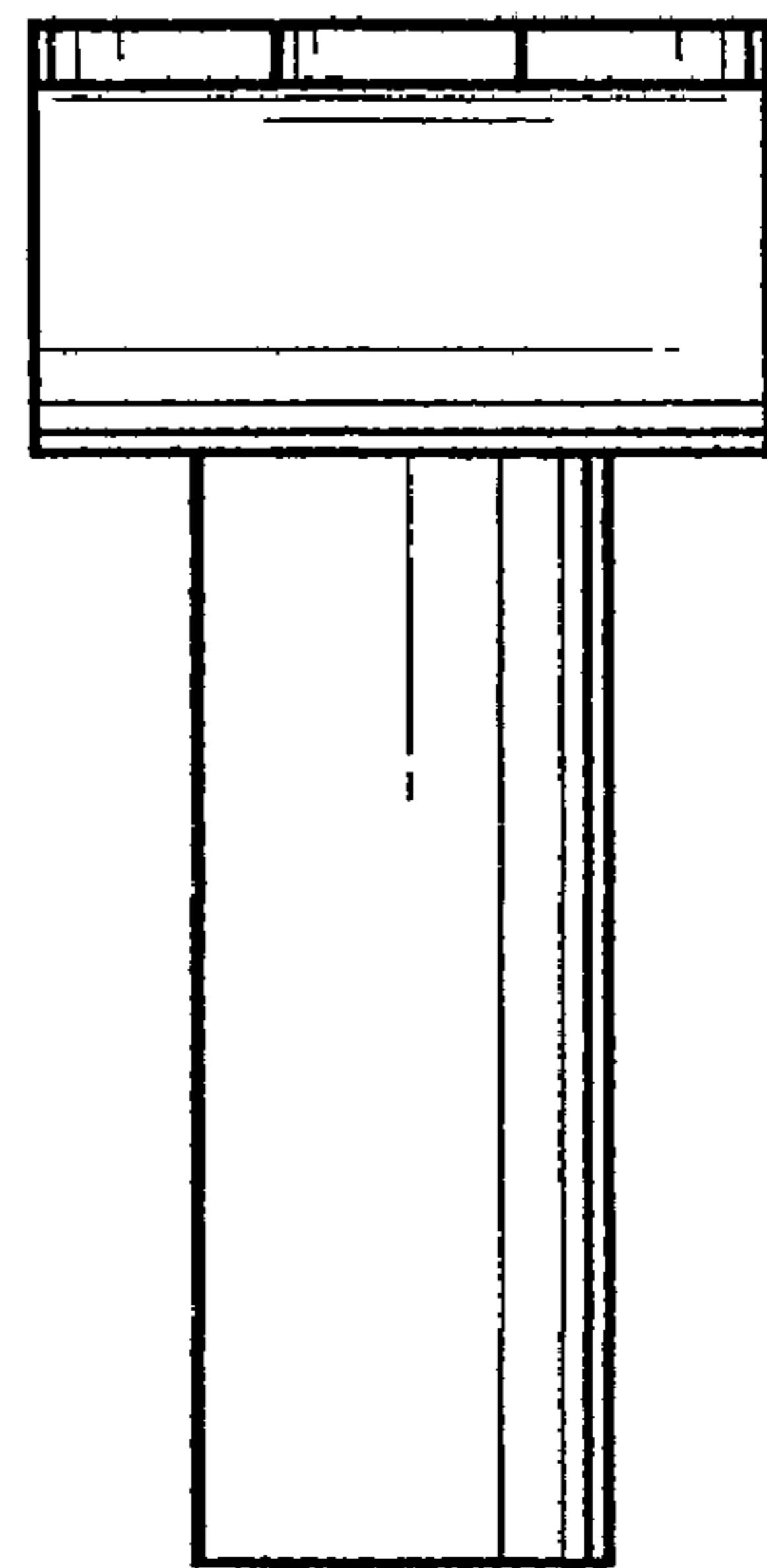


Fig. 2

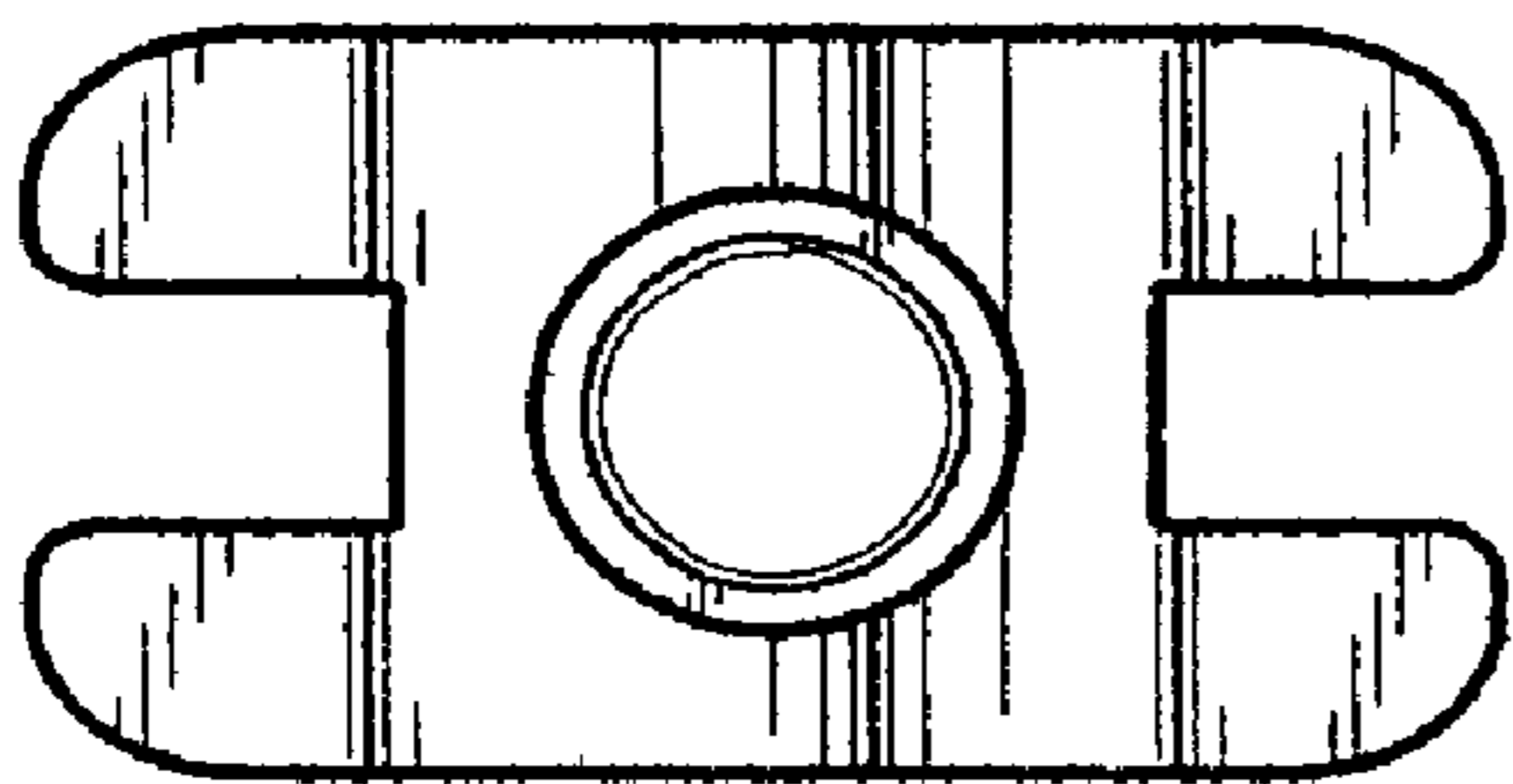


Fig. 3