



US00D554487S

(12) **United States Design Patent** (10) **Patent No.:** **US D554,487 S**
Shinjo (45) **Date of Patent:** **** Nov. 6, 2007**

(54) **DRILLING FASTENER**

(75) Inventor: **Katsumi Shinjo**, Osaka (JP)

(73) Assignee: **Shinjo Manufacturing Co., Ltd.**,
Osaka (JP)

(**) Term: **14 Years**

(21) Appl. No.: **29/239,059**

(22) Filed: **Sep. 27, 2005**

(30) **Foreign Application Priority Data**

Mar. 28, 2005 (JP) 2005-008926

(51) **LOC (8) Cl.** **08-08**

(52) **U.S. Cl.** **D8/387**

(58) **Field of Classification Search** D8/387,
D8/382, 384, 385, 388, 391; 52/87, 156,
52/157; 248/87; 411/178, 378, 382, 393,
411/394, 402, 403, 407, 80.1, 81, 411
See application file for complete search history.

(56) **References Cited**

U.S. PATENT DOCUMENTS

- 3,330,177 A * 7/1967 Oliver 411/424
- 4,042,342 A * 8/1977 Muenchinger 428/585
- 4,238,165 A * 12/1980 Wagner 403/408.1
- D267,627 S * 1/1983 Hultin D8/387
- D322,928 S * 1/1992 Snodell D8/387
- 6,592,313 B2 * 7/2003 Kohori 411/402
- D482,957 S * 12/2003 Lajeunesse et al. D8/387
- 6,872,041 B2 * 3/2005 Lohr 411/378

* cited by examiner

Primary Examiner—Holly Baynham
Assistant Examiner—Sheryl Friedman

(74) *Attorney, Agent, or Firm*—Antonelli, Terry, Stout & Kraus, LLP.

(57) **CLAIM**

The ornamental design for a drilling fastener, as shown and described.

DESCRIPTION

FIG. 1 is a perspective view thereof;
 FIG. 2 is a top plan view thereof;
 FIG. 3 is a front elevation thereof;
 FIG. 4 is a bottom plan view thereof;
 FIG. 5 is a left-side elevation thereof;
 FIG. 6 is a cross section taken along the line A—A in FIG. 3;
 FIG. 7 is a cross section taken along the line B—B in FIG. 2;
 FIG. 8 is a supplementary view of the fastener at the first step in use;
 FIG. 9 is another supplementary view of the fastener at the second step in use; and,
 FIG. 10 is a further supplementary view of the fastener at the third step in use.

A rear elevation appearing symmetrical with the front elevation, as well as a right-side elevation appearing symmetrical with the left-side elevation, are excluded from the drawings.

The broken line showing of the drilling surface, drill and hammer is included for the purpose of illustrating environmental structure and forms no part of the claimed design.

1 Claim, 4 Drawing Sheets

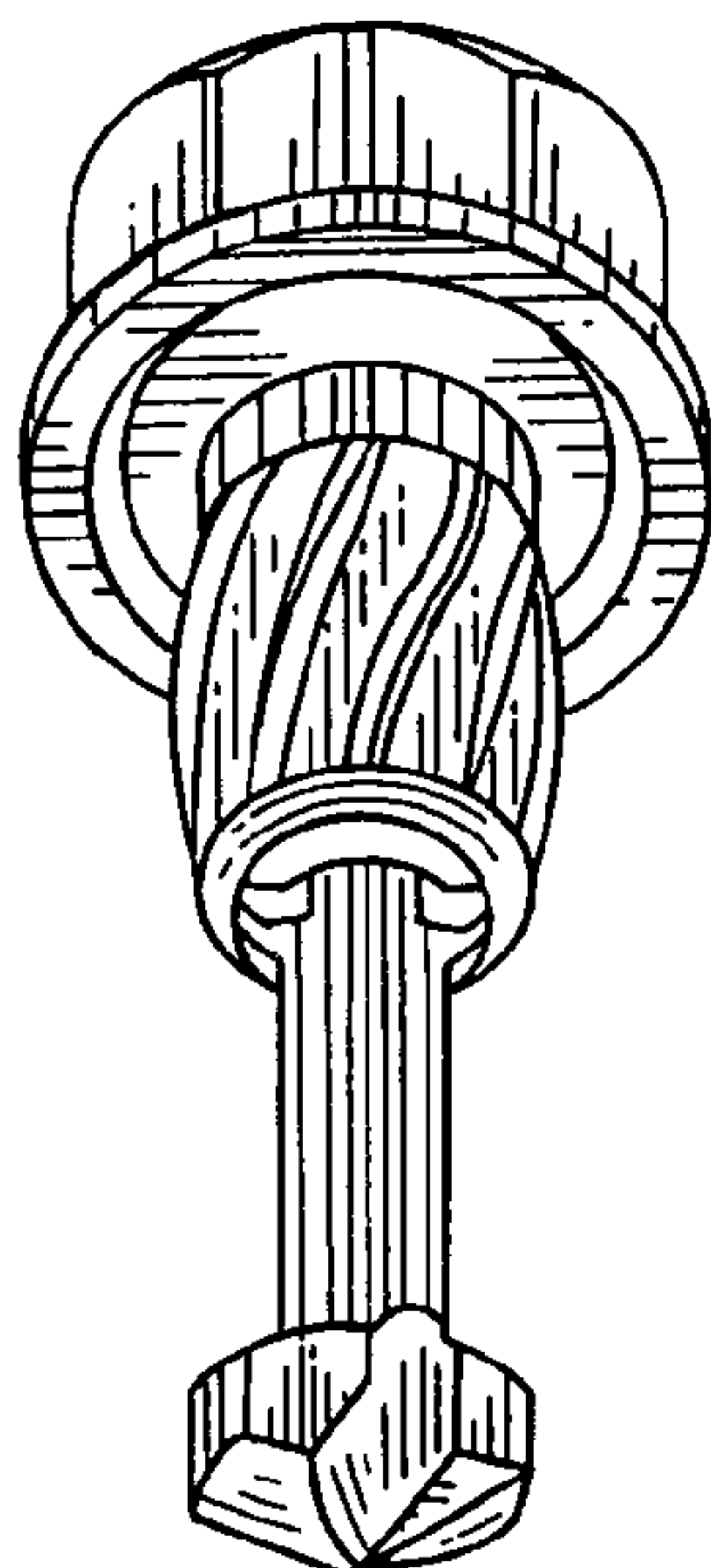


Fig. 1

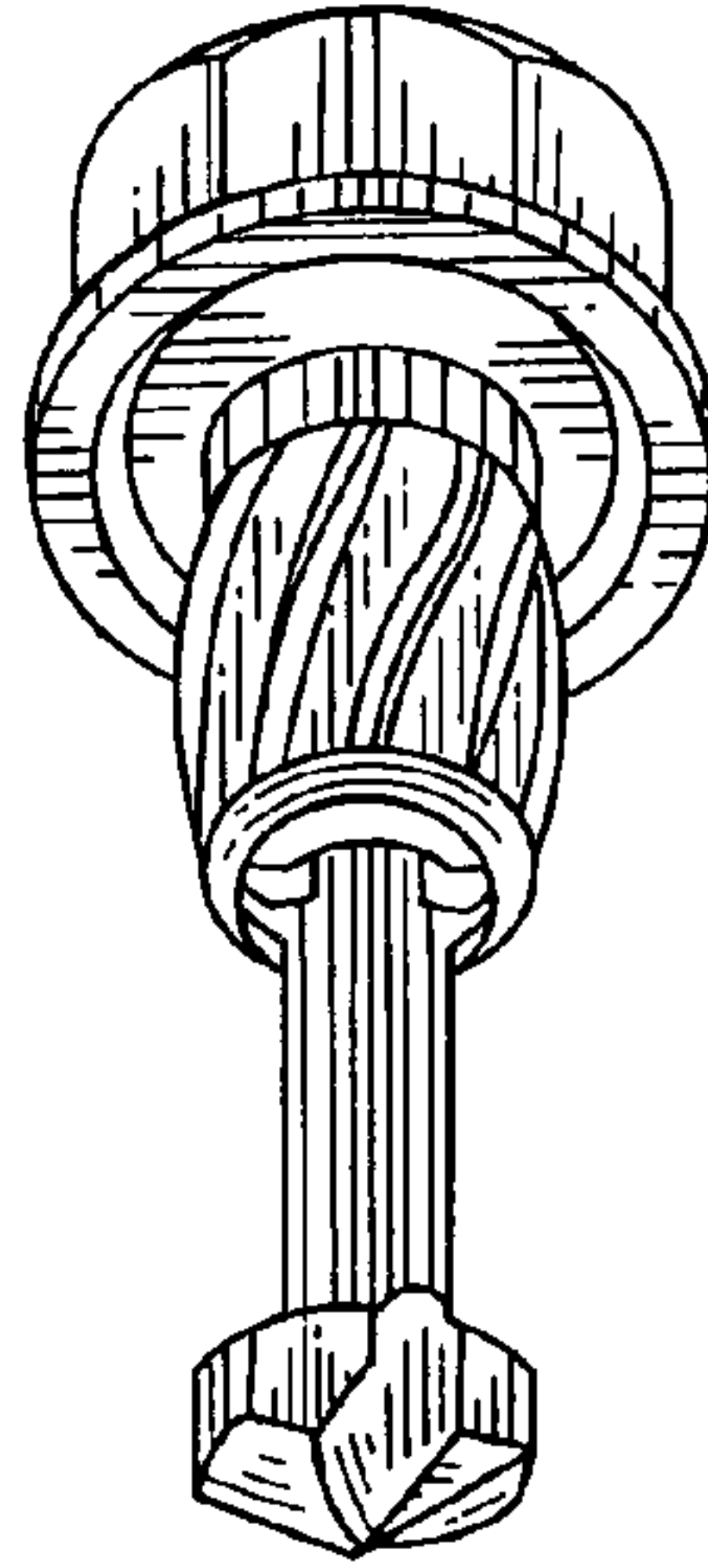


Fig. 2

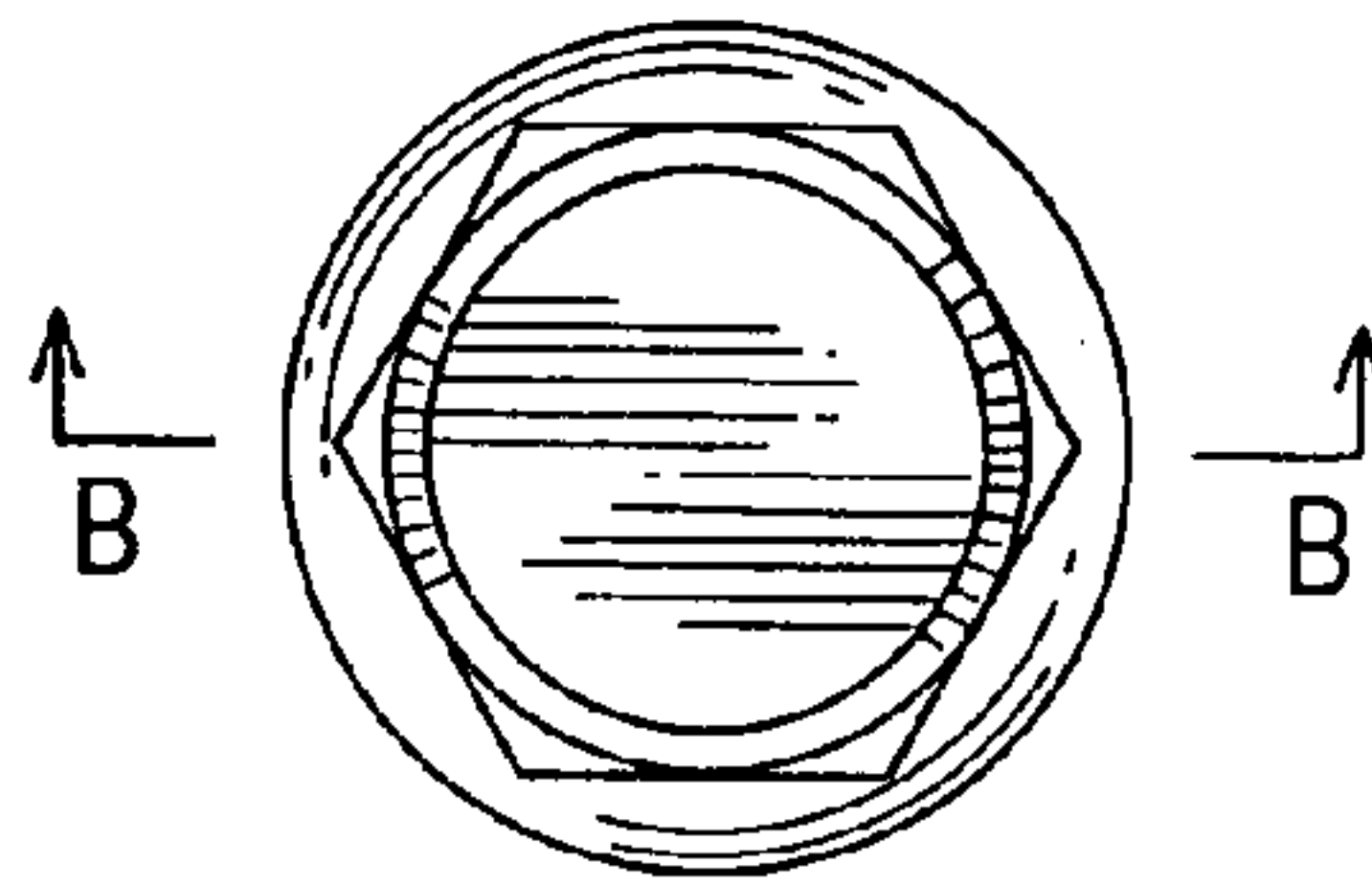


Fig. 3

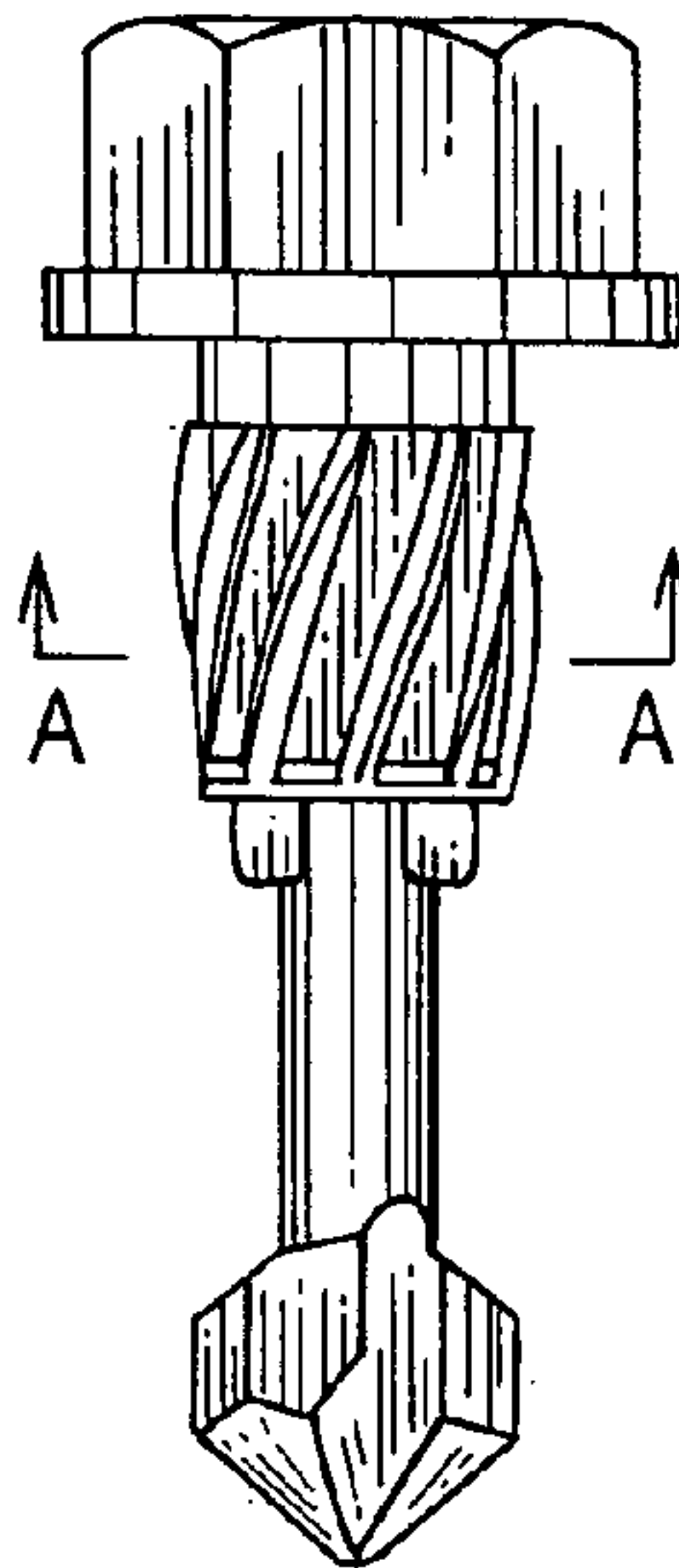


Fig. 4

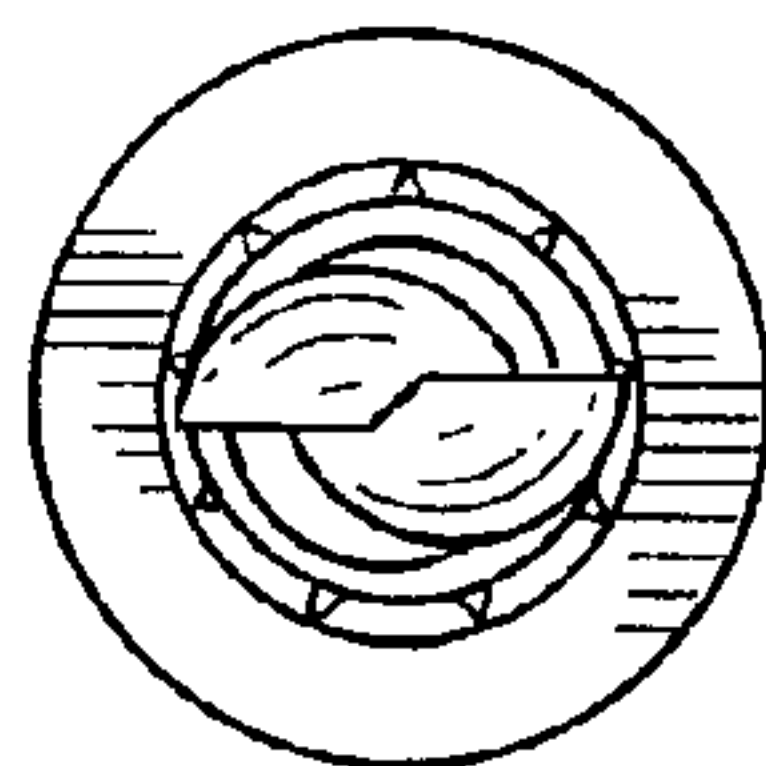


Fig. 5

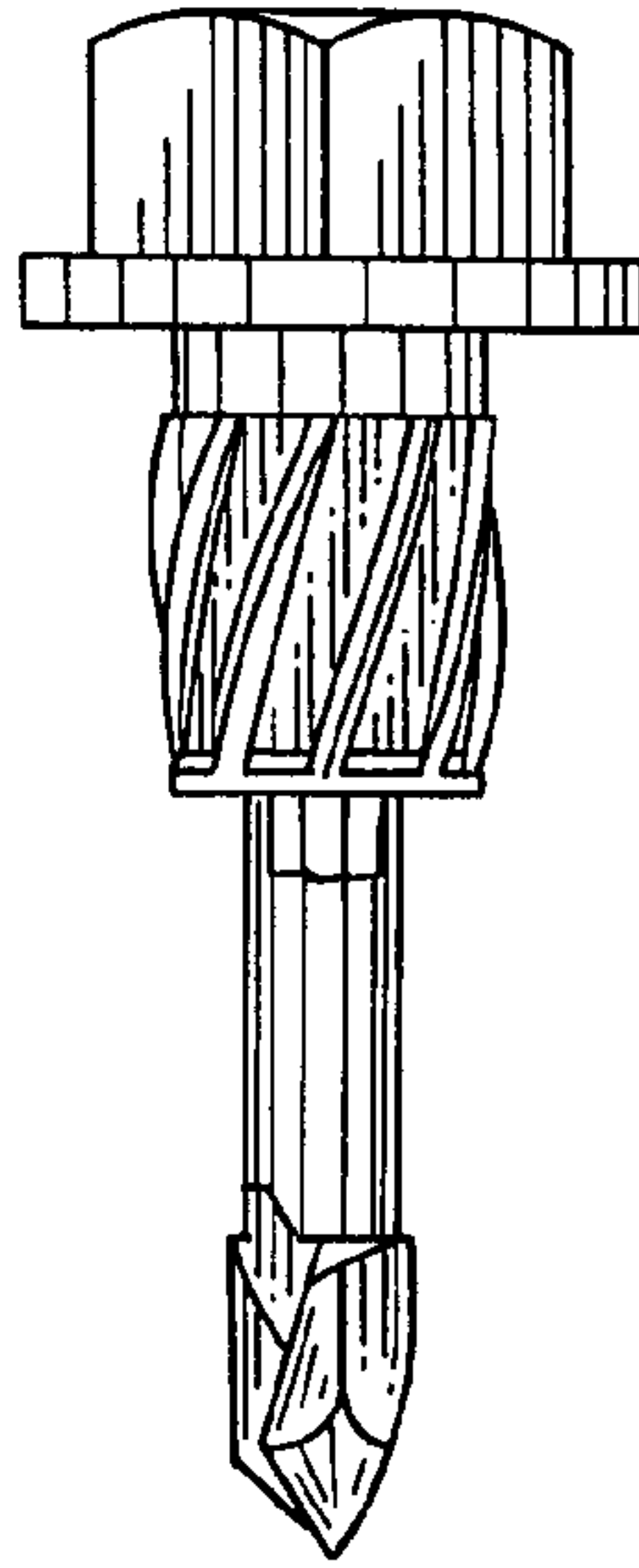


Fig. 6

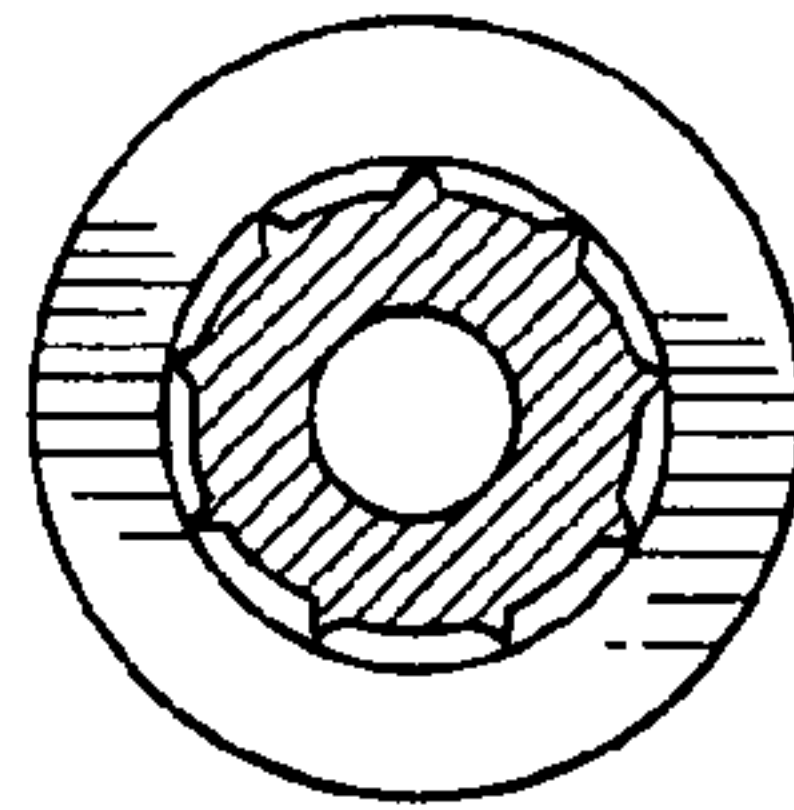


Fig. 7

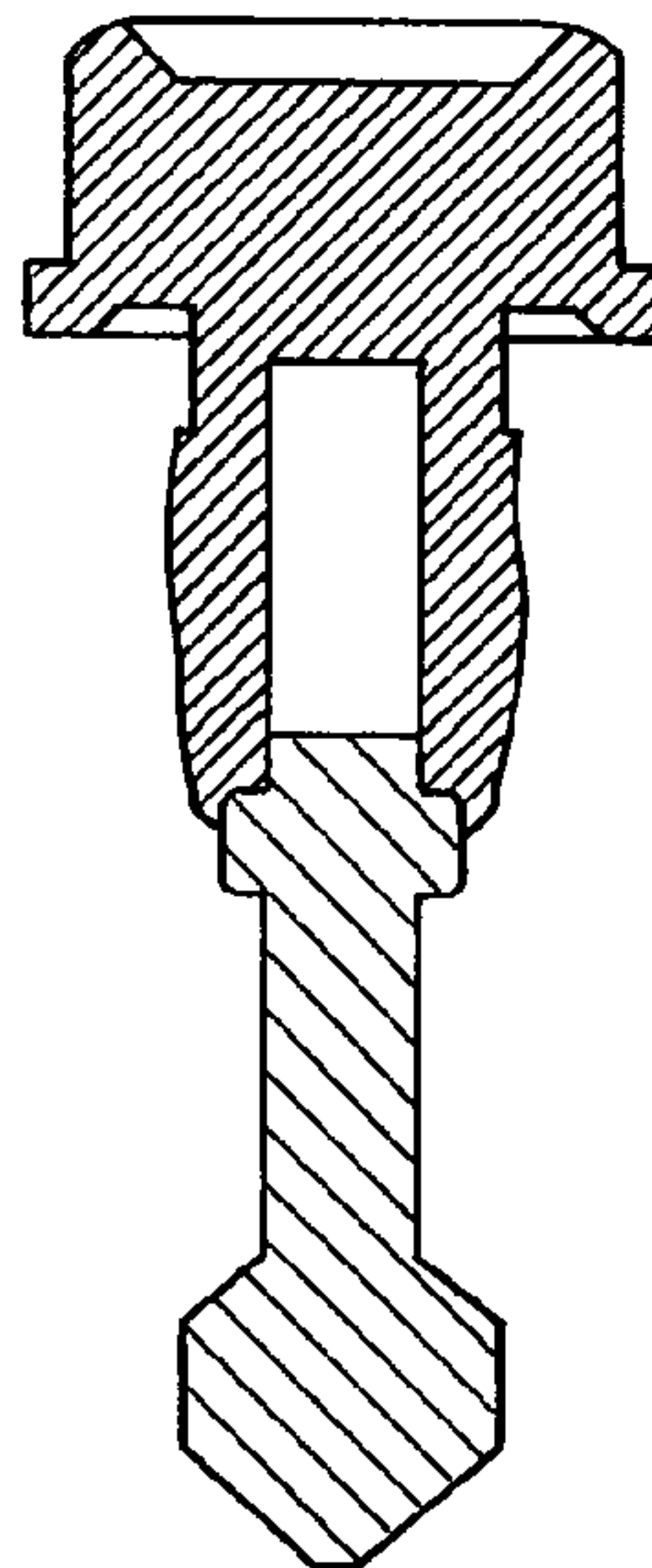


Fig. 8

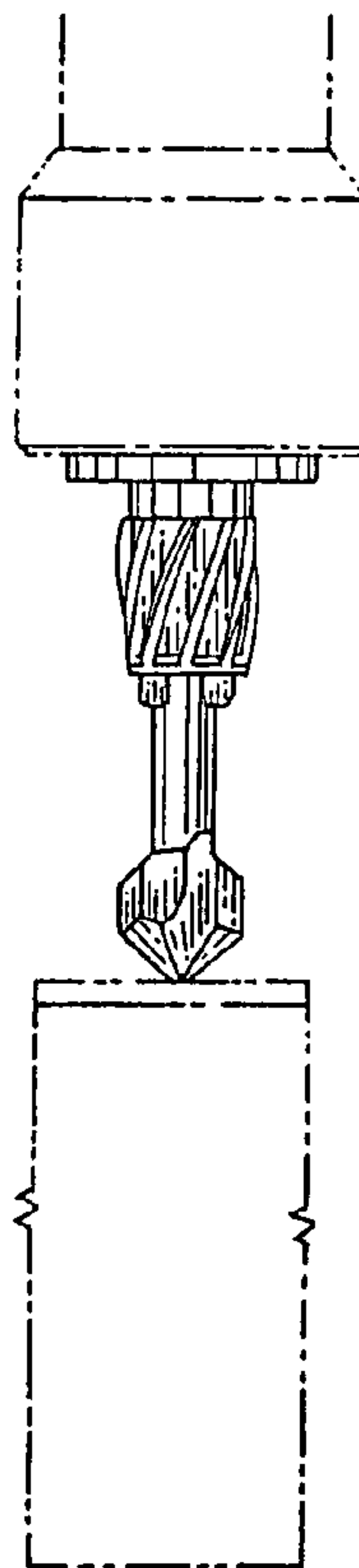


Fig. 9

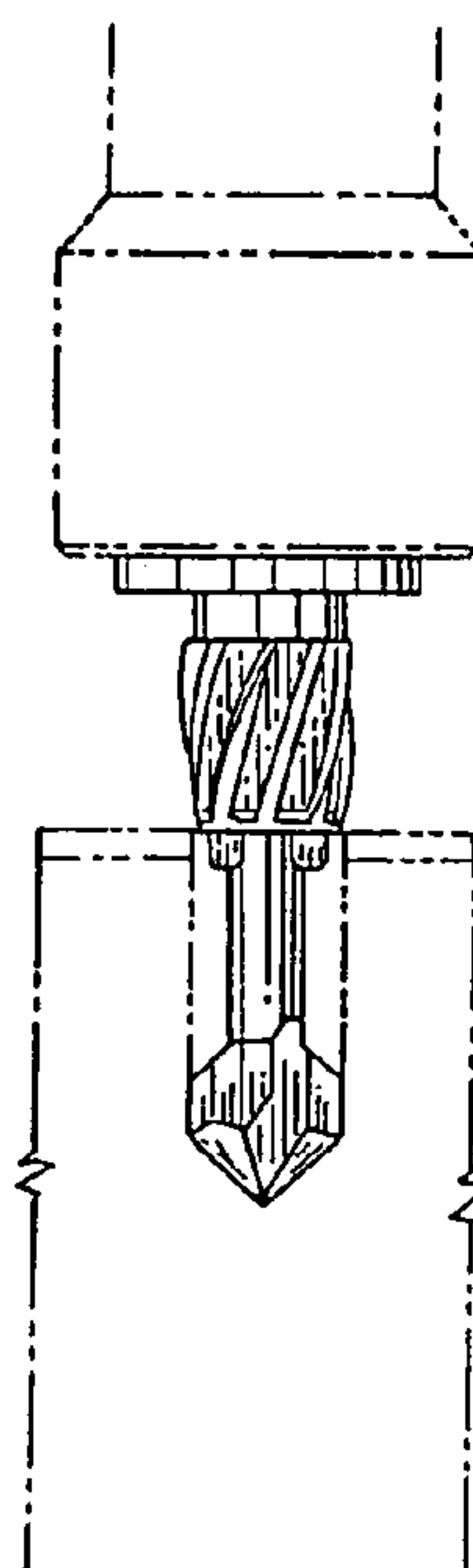


Fig. 10

