



US00D554486S

(12) **United States Design Patent**  
**Emblin**

(10) **Patent No.:** **US D554,486 S**

(45) **Date of Patent:** **\*\* Nov. 6, 2007**

(54) **CHANNEL FOR STUD ASSEMBLY**

(75) **Inventor:** **Alan Gayne Emblin, Cooroy (AU)**

(73) **Assignee:** **Building Solutions Pty Ltd.,  
Queensland (AU)**

(\*\*) **Term:** **14 Years**

(21) **Appl. No.:** **29/254,217**

(22) **Filed:** **Feb. 16, 2006**

(51) **LOC (8) Cl.** ..... **08-05**

(52) **U.S. Cl.** ..... **D8/382**

(58) **Field of Classification Search** ..... D8/382,  
D8/354, 373, 380; D25/119, 121-124; 52/731.1,  
52/731.5, 729.2, 729.5, 730.6, 770  
See application file for complete search history.

(56) **References Cited**

**U.S. PATENT DOCUMENTS**

D29,545 S \* 10/1898 Bettendorf ..... D25/123

D135,578 S \* 4/1943 Marschner ..... D25/121  
D238,356 S \* 1/1976 Patterson ..... D25/123  
D344,596 S \* 2/1994 McArthur ..... D25/121  
D352,790 S \* 11/1994 Gullblom ..... D25/121  
D425,734 S \* 5/2000 Bauer ..... D6/491

\* cited by examiner

*Primary Examiner*—Holly H. Baynham

(74) *Attorney, Agent, or Firm*—Dorsey & Whitney LLP

(57) **CLAIM**

The ornamental design for a channel for stud assembly, as shown and described.

**DESCRIPTION**

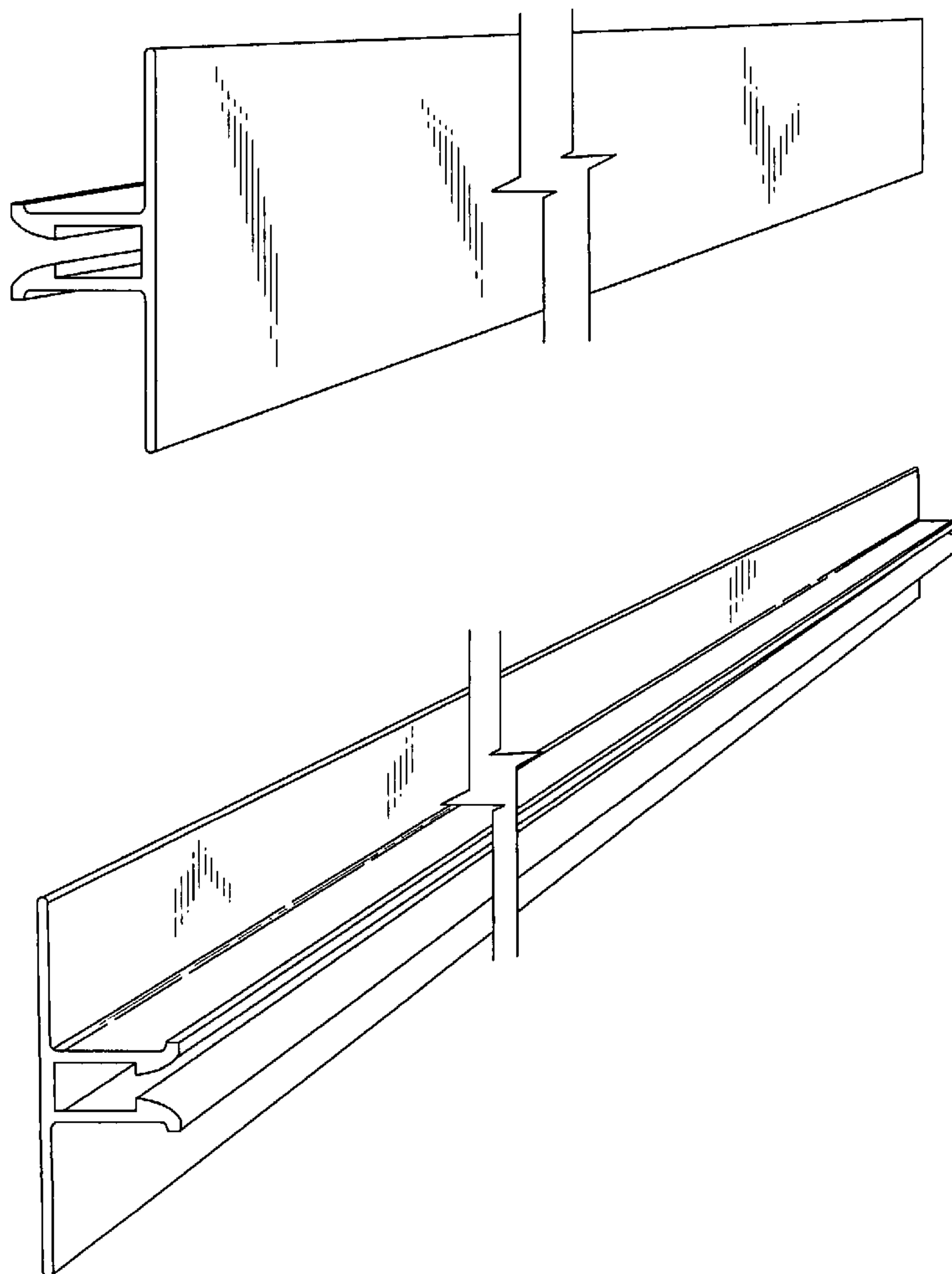
FIG. 1 is an end view of the channel;

FIG. 2 is a rear perspective view thereof; and,

FIG. 3 is a front perspective view thereof.

The channel is shown broken away to show indeterminate length.

**1 Claim, 3 Drawing Sheets**



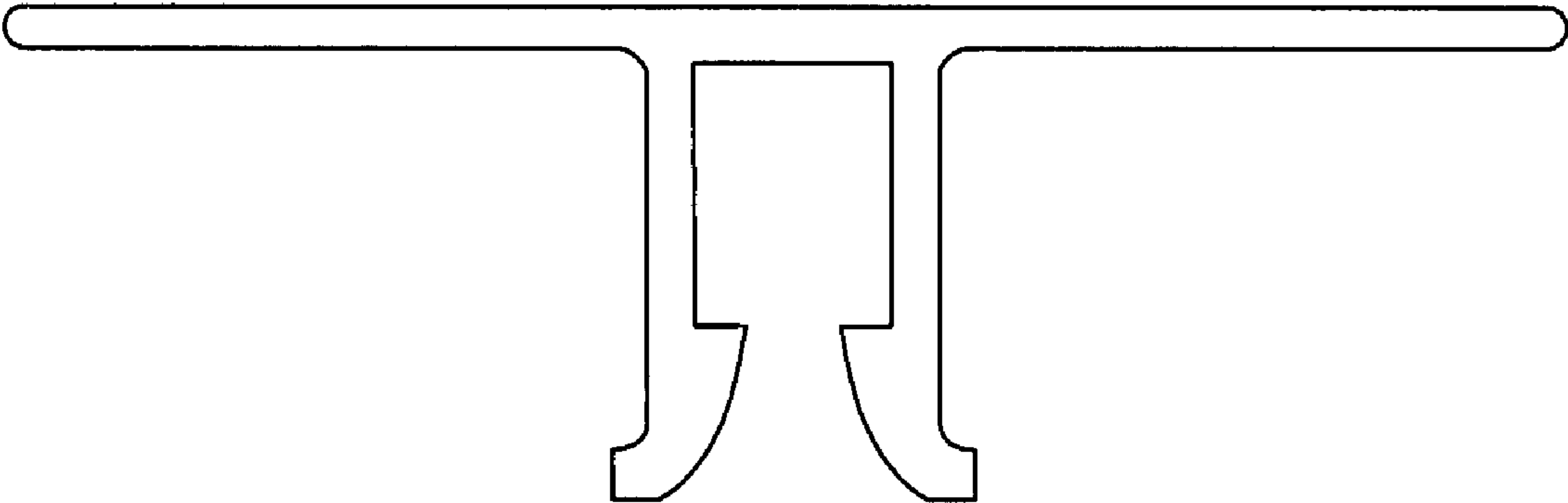


FIG. 1

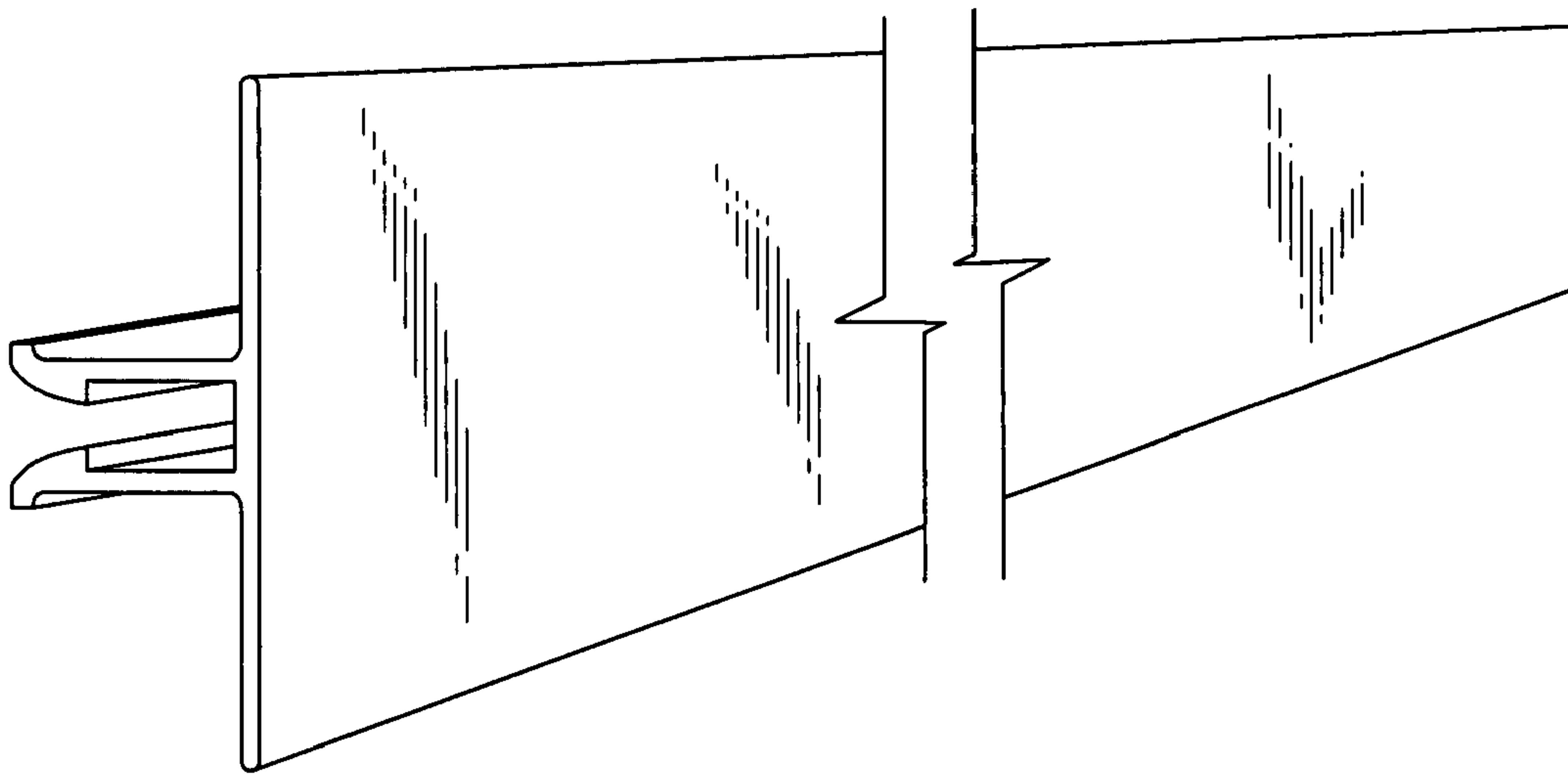


FIG. 2

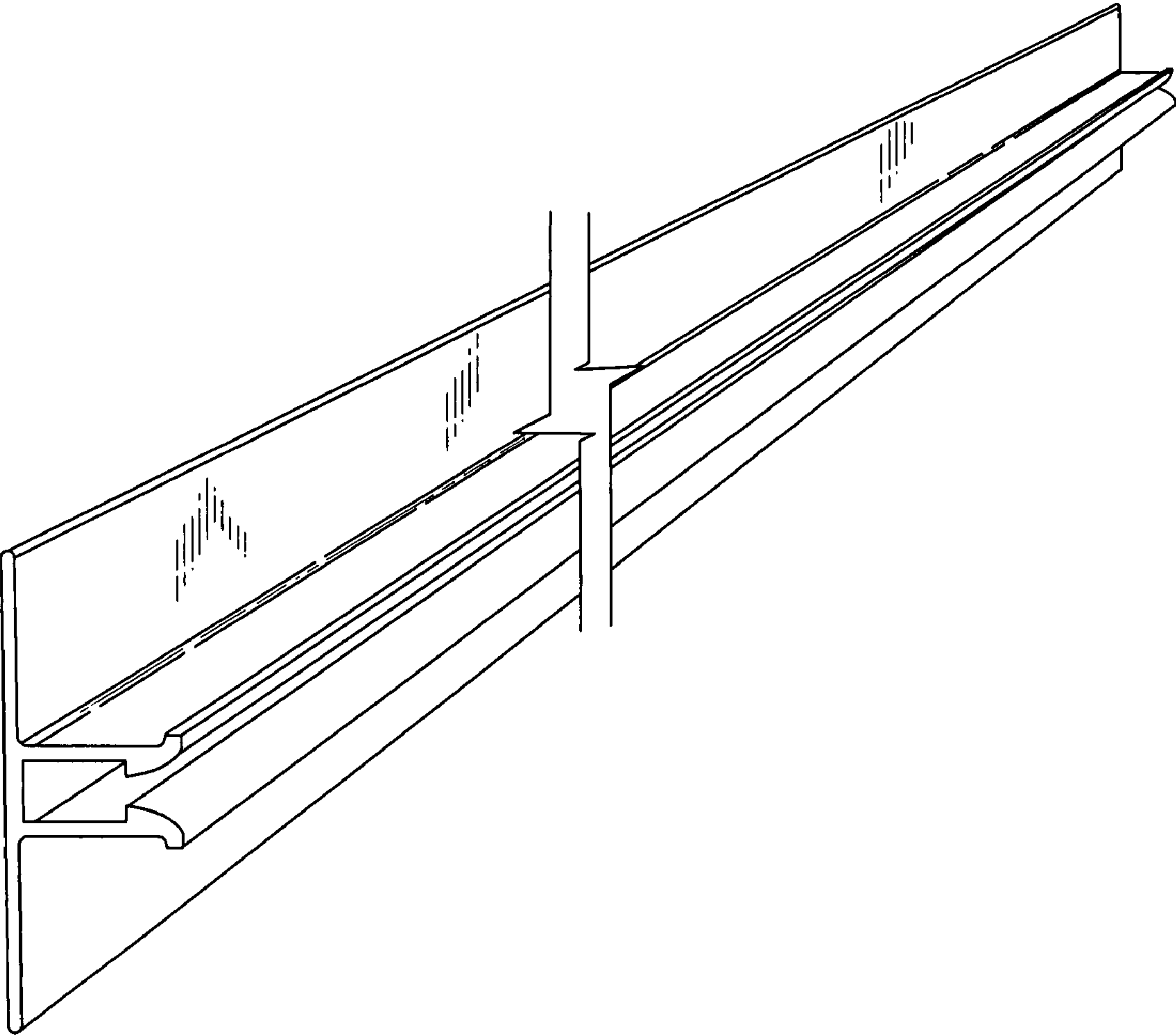


FIG. 3