



US00D554481S

(12) **United States Design Patent** (10) **Patent No.:** **US D554,481 S**
Newbould et al. (45) **Date of Patent:** **** Nov. 6, 2007**

(54) **ADHESIVELY MOUNTABLE HOOK**

(75) Inventors: **Peter J. Newbould**, Milan (IT);
Pasquale Cirulli, Milan (IT); **Sigurdur Thorsteinsson**, Milan (IT); **Michele Cestone**, Milan (IT)

(73) Assignee: **3M Innovative Properties Company**,
St. Paul, MN (US)

(**) Term: **14 Years**

(21) Appl. No.: **29/247,838**

(22) Filed: **Jul. 14, 2006**

(51) **LOC (8) Cl.** **08-05**

(52) **U.S. Cl.** **D8/367**

(58) **Field of Classification Search** D8/367,
D8/354, 363, 370; 40/642.01; 211/59.1,
211/70.6; 248/217.3, 220.41, 220.43, 222.12,
248/304; D6/323

See application file for complete search history.

(56) **References Cited**

U.S. PATENT DOCUMENTS

| | | | | |
|--------------|--------|-----------------|-------|--------|
| D259,017 S * | 4/1981 | Einhorn | | D8/367 |
| D266,124 S * | 9/1982 | Stankewich | | D8/367 |
| D294,309 S * | 2/1988 | Tegner | | D6/323 |
| D296,759 S * | 7/1988 | Greenhut et al. | | D8/367 |
| D339,058 S * | 9/1993 | Greenhut et al. | | D8/367 |
| D361,930 S * | 9/1995 | Fillipp et al. | | D8/367 |
| D384,270 S * | 9/1997 | Chang | | D8/367 |
| D389,399 S * | 1/1998 | Bries et al. | | D8/367 |

| | | | | |
|----------------|---------|------------------|-------|-----------|
| D404,287 S * | 1/1999 | Hepworth | | D8/367 |
| D417,385 S * | 12/1999 | Bries et al. | | D8/367 |
| D417,606 S * | 12/1999 | Bries et al. | | D8/367 |
| 6,199,811 B1 * | 3/2001 | Fargo | | 248/304 |
| 6,325,345 B1 * | 12/2001 | Carpenter | | 248/217.3 |
| D480,292 S * | 10/2003 | Johansson et al. | | D8/367 |
| D486,057 S * | 2/2004 | Chen | | D8/367 |
| D511,088 S * | 11/2005 | Chiu | | D8/367 |
| D515,911 S * | 2/2006 | McDuff | | D8/367 |
| D543,837 S * | 6/2007 | Newbould et al. | | D8/367 |

* cited by examiner

Primary Examiner—T. Chase Nelson

Assistant Examiner—Barbara Blanton Lohr

(74) *Attorney, Agent, or Firm*—David B. Patchett

(57) **CLAIM**

The ornamental design for an adhesively mountable hook, as shown and described.

DESCRIPTION

FIG. 1 is a perspective view showing the new design for an adhesively mountable hook;

FIG. 2 is a front view thereof;

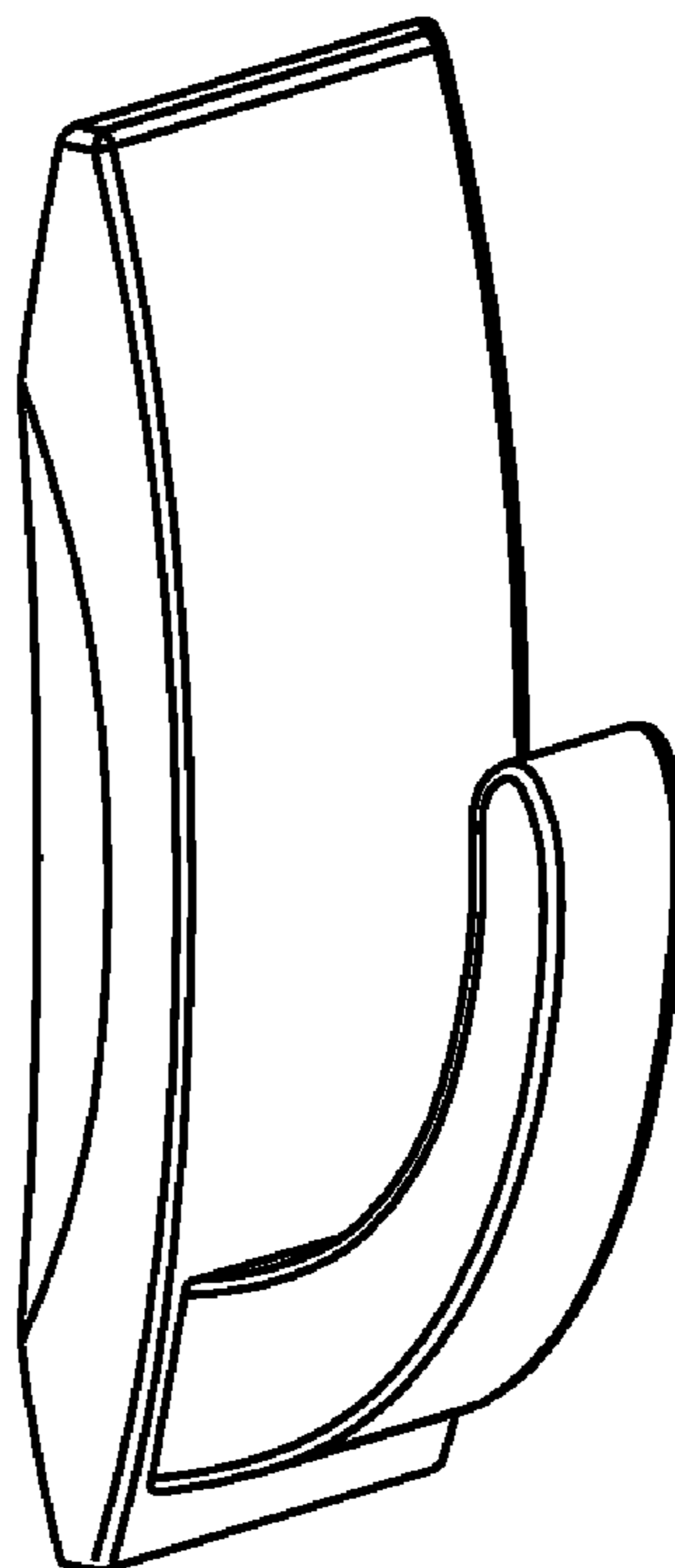
FIG. 3 is a back view thereof;

FIG. 4 is a side view thereof; the opposite side view thereof being a mirror image of the side view shown;

FIG. 5 is a top view thereof; and,

FIG. 6 is a bottom view thereof.

1 Claim, 1 Drawing Sheet



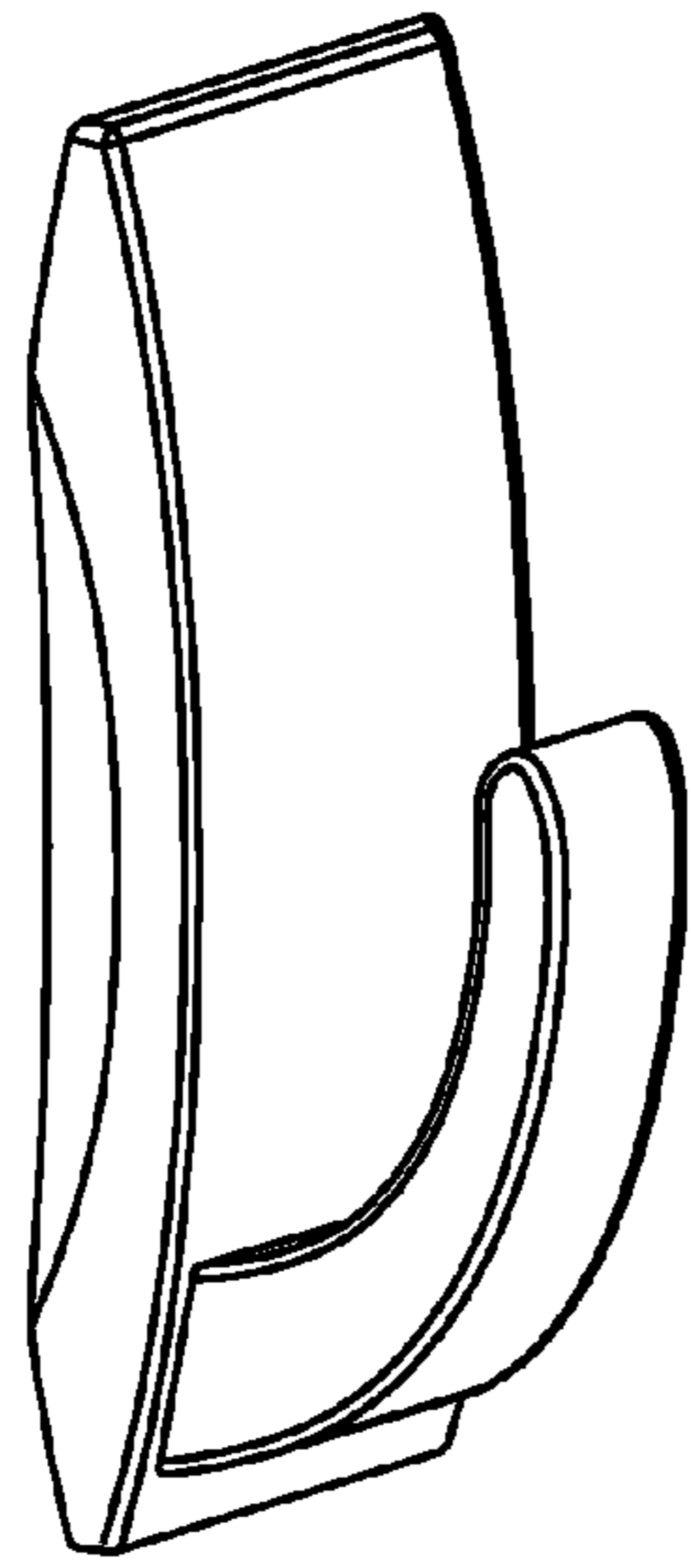


Fig. 1

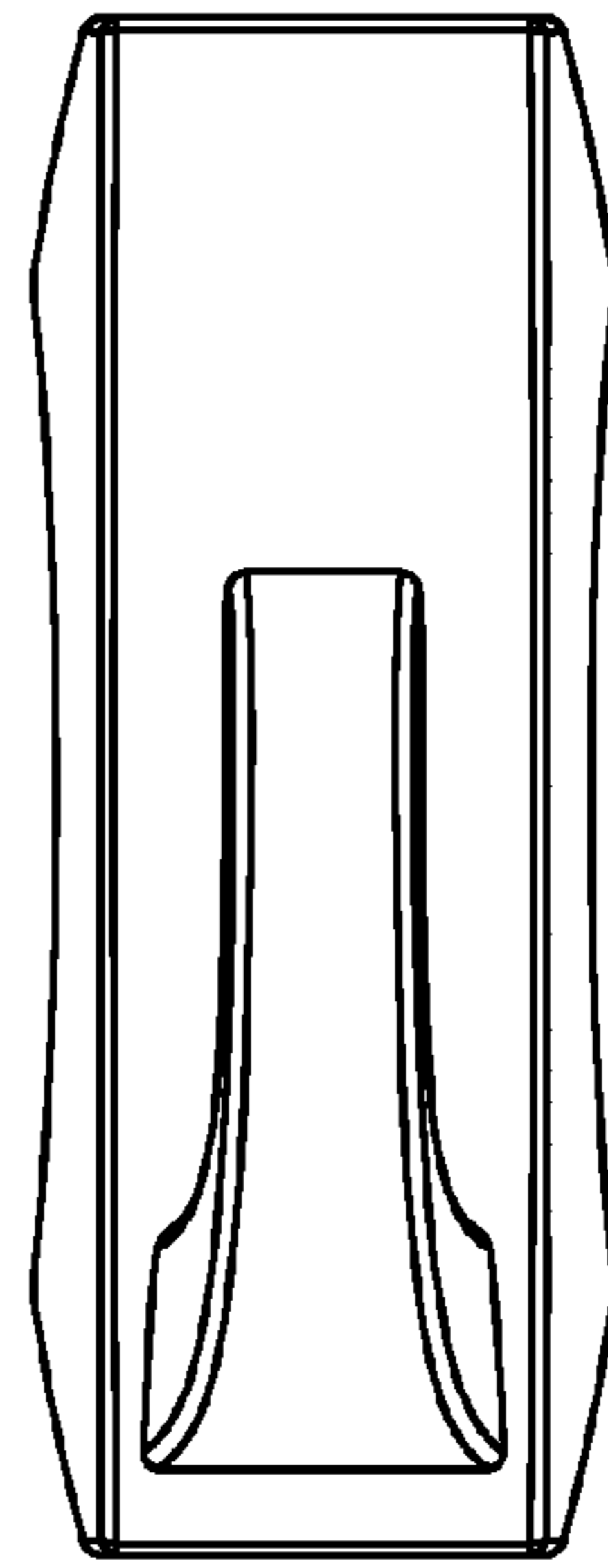


Fig. 2

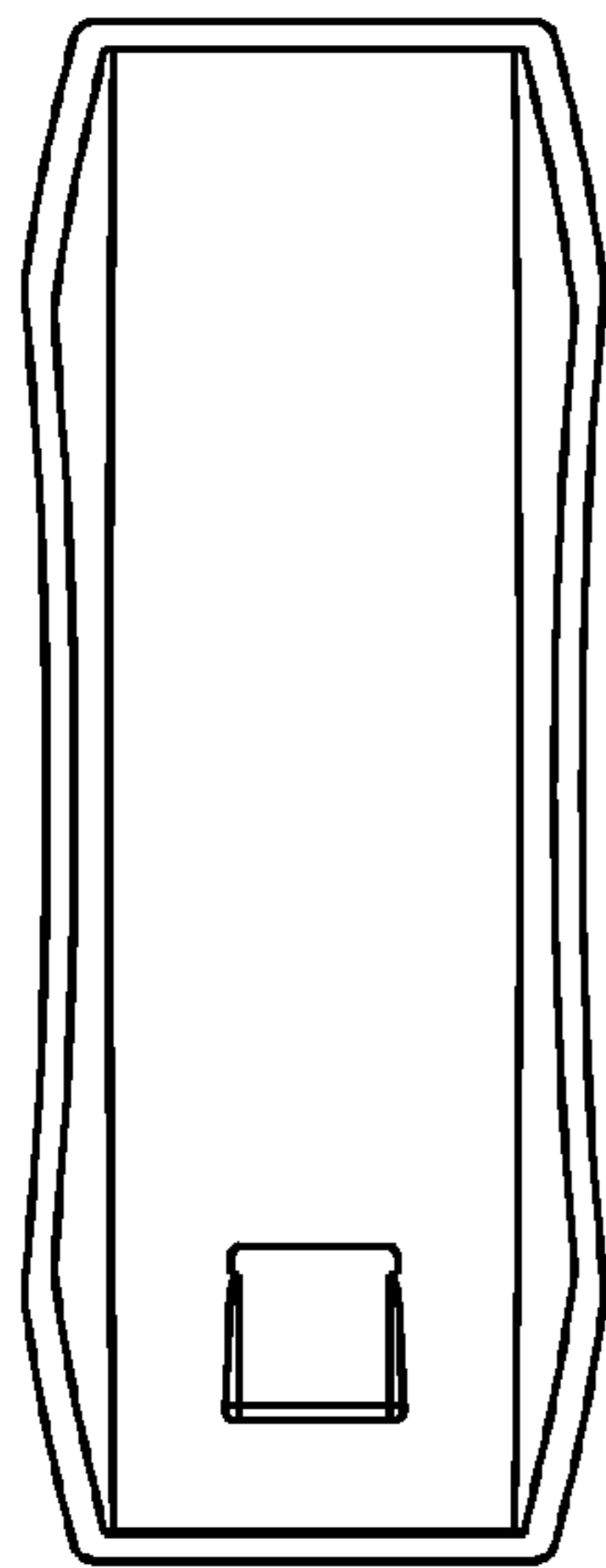


Fig. 3

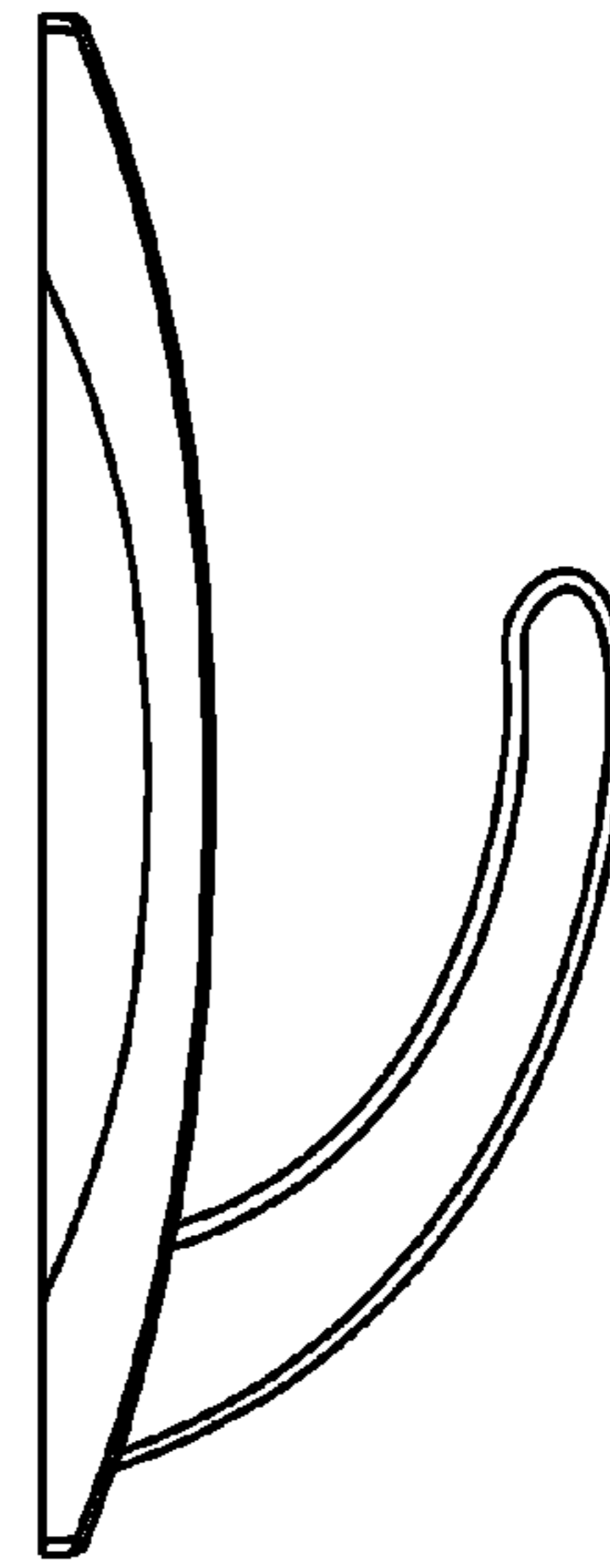


Fig. 4

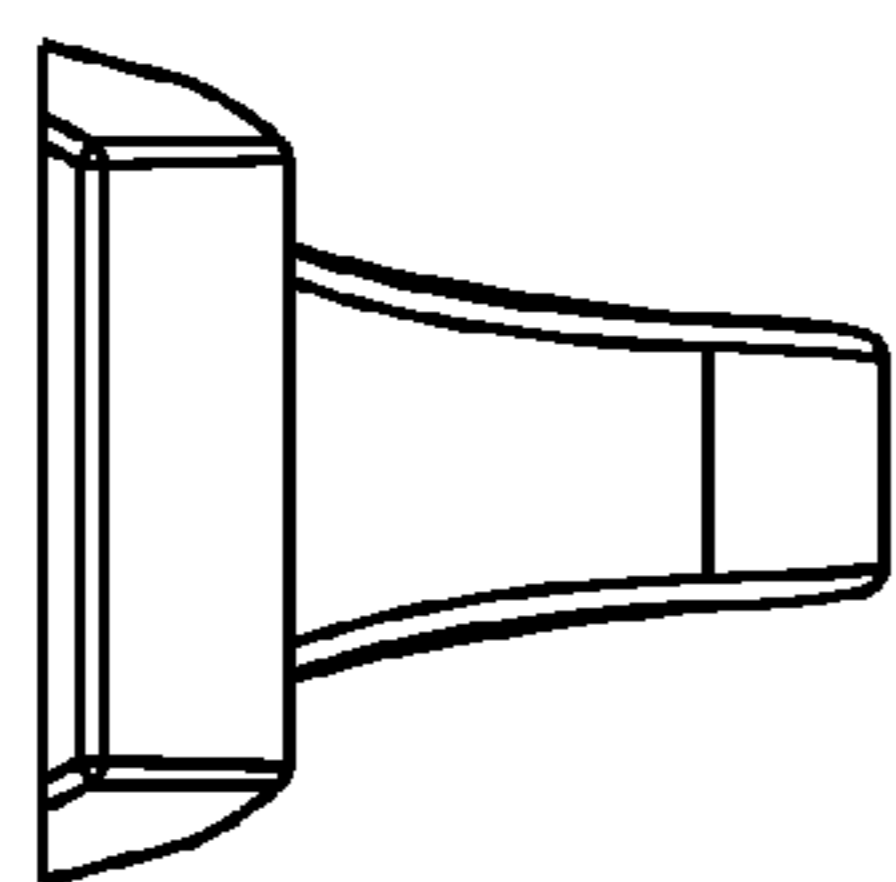


Fig. 5

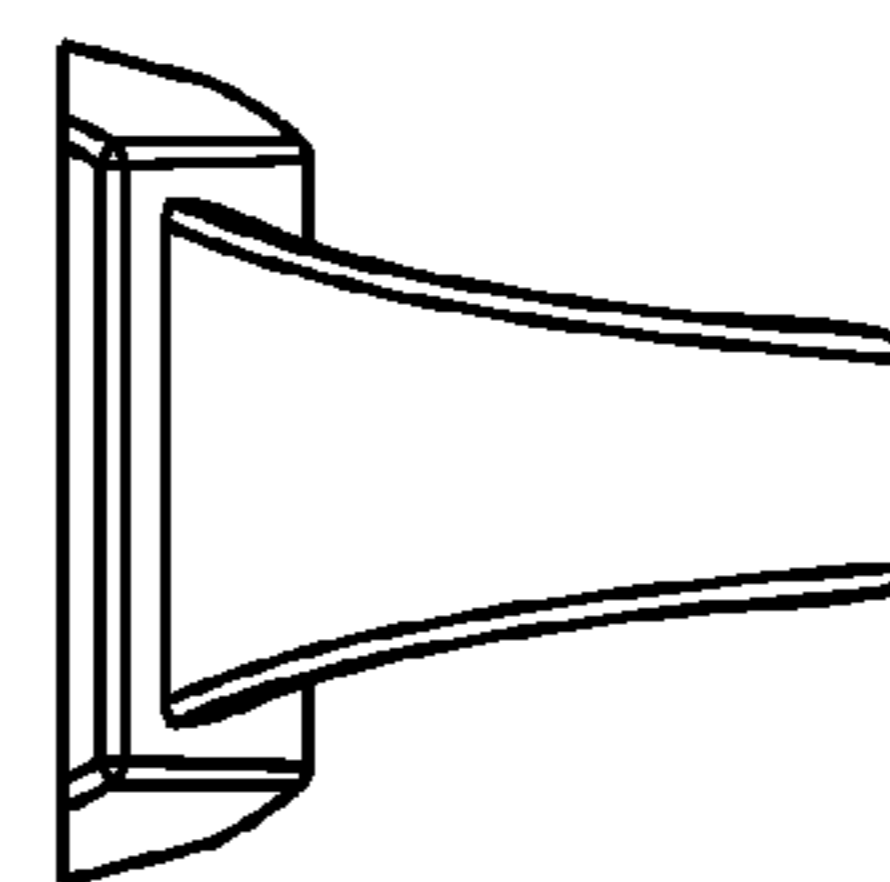


Fig. 6