



US00D554479S

(12) **United States Design Patent**
Rosine et al.

(10) **Patent No.:** **US D554,479 S**
(45) **Date of Patent:** **** Nov. 6, 2007**

(54) **HOSE REEL SWIVEL BASE**

(57) **CLAIM**

(75) Inventors: **Lyle A. Rosine**, Oswego, IL (US);
Torrence Anderson, Overland Park, IL (US)

The ornamental design for a hose reel swivel base, as shown and described.

(73) Assignee: **Suncast Corporation**, Batavia, IL (US)

DESCRIPTION

(**) Term: **14 Years**

FIG. 1 is a top perspective view of the hose reel swivel base of the instant invention;

(21) Appl. No.: **29/237,386**

FIG. 2 is a top view of the instant invention;

(22) Filed: **Aug. 29, 2005**

FIG. 3 is a side view of the instant invention the remaining three sides being identical thereto, the broken line showing of the stakes is for illustrative purposes only and forms no part of the claimed design;

(51) **LOC (8) Cl.** **08-05**

FIG. 4 is a bottom view of the instant invention;

(52) **U.S. Cl.** **D8/358**

FIG. 5 is a perspective view of the instant invention, the broken line showing of the stakes is for illustrative purposes only and forms no part of the claimed design;

(58) **Field of Classification Search** D8/358;
D32/24, 26; 248/425, 346.01, 346.02
See application file for complete search history.

FIG. 6 is a top view of the instant invention;

(56) **References Cited**

FIG. 7 is a partially exploded perspective view of the instant invention, the broken line showing of the enclosed hose reel and stakes are for illustrative purposes only and form no part of the claimed design;

U.S. PATENT DOCUMENTS

- 3,936,026 A * 2/1976 Hampel et al. 248/349.1
- 4,401,287 A * 8/1983 Moeser 248/425
- 4,640,486 A * 2/1987 Neville 248/425
- 5,782,451 A * 7/1998 Carnahan et al. 248/425
- 5,895,093 A * 4/1999 Casey et al. 297/344.23
- 6,089,520 A * 7/2000 Wu et al. 248/371

FIG. 8 is a perspective view of the instant invention, the broken line showing of the enclosed hose reel is for illustrative purposes only and forms no part of the claimed design; and,

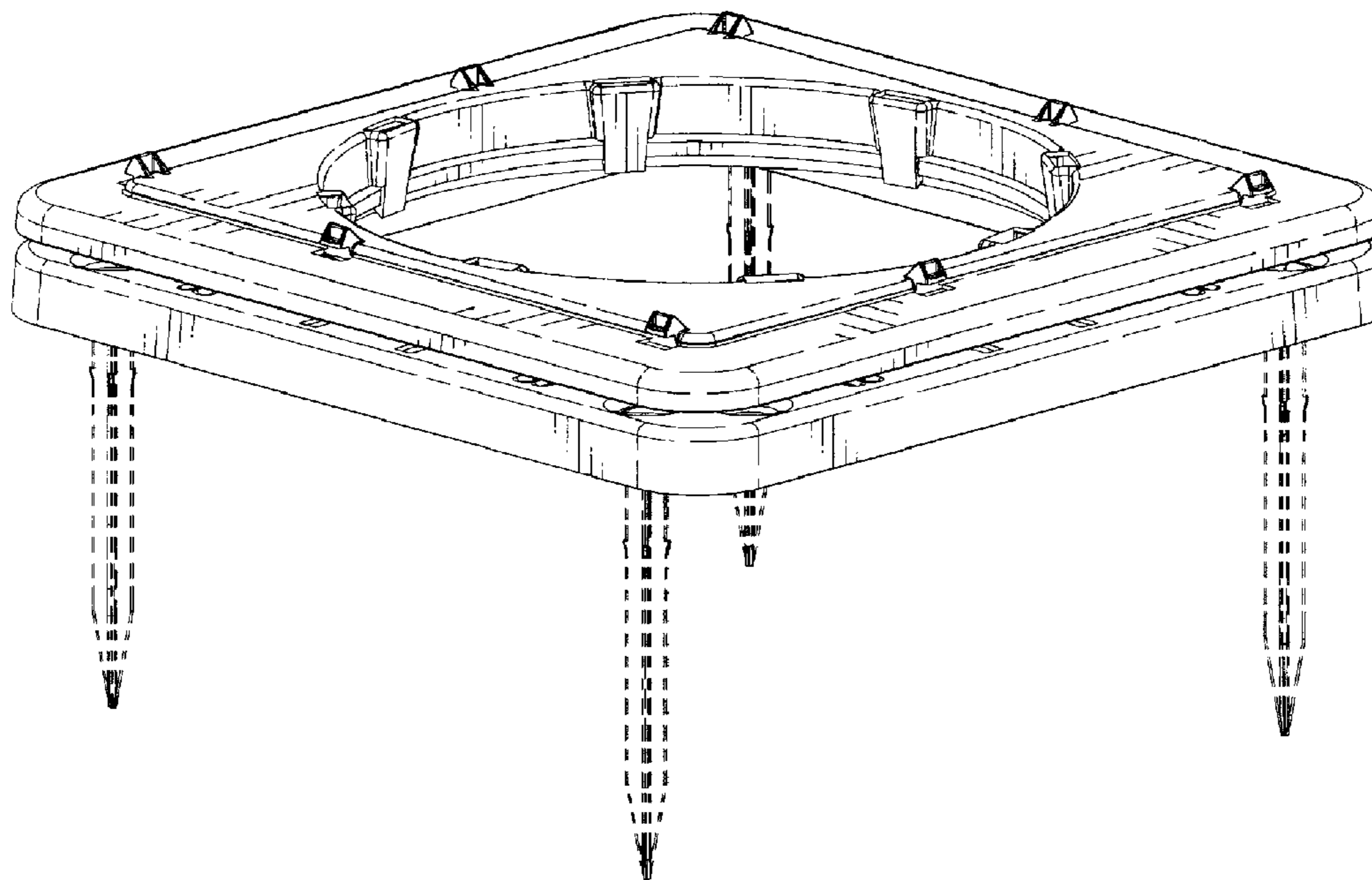
* cited by examiner

FIG. 9 is a perspective view of the instant invention, the broken line showing of the enclosed hose reel and stakes are for illustrative purposes only and form no part of the claimed design.

Primary Examiner—Holly H. Baynham

(74) *Attorney, Agent, or Firm*—McHale & Slavin, P.A.

1 Claim, 7 Drawing Sheets



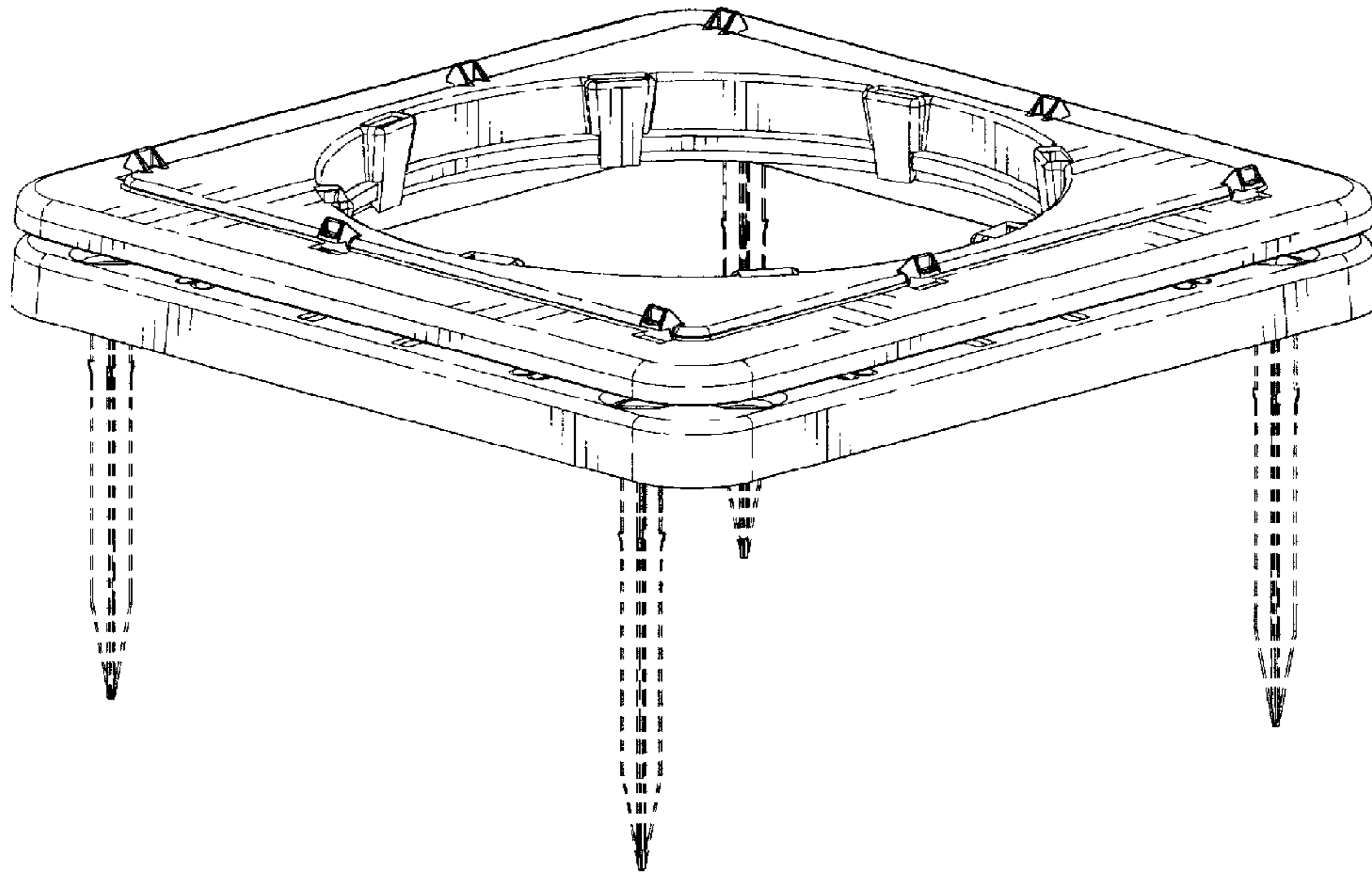


FIGURE 1

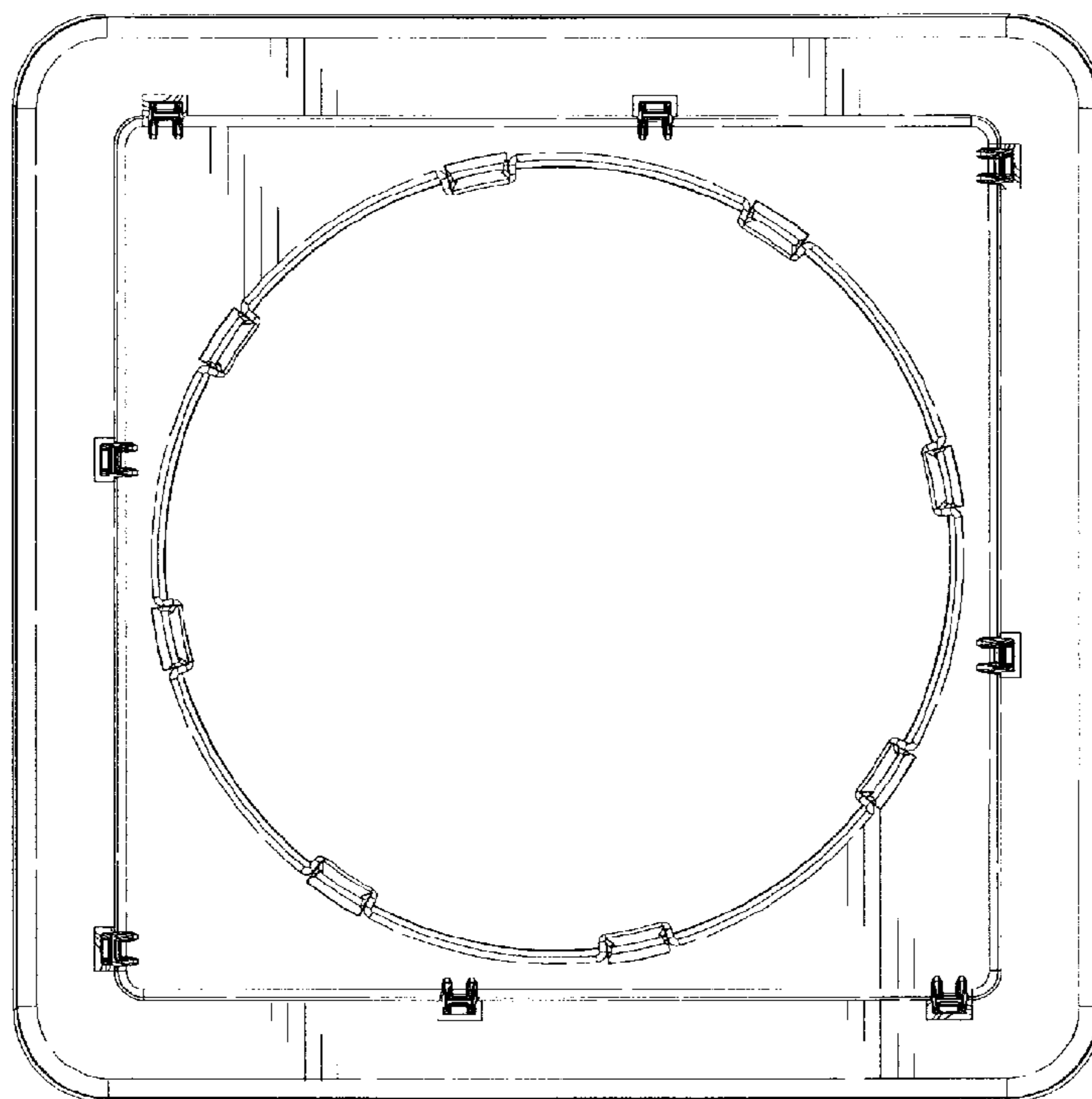


FIGURE 2

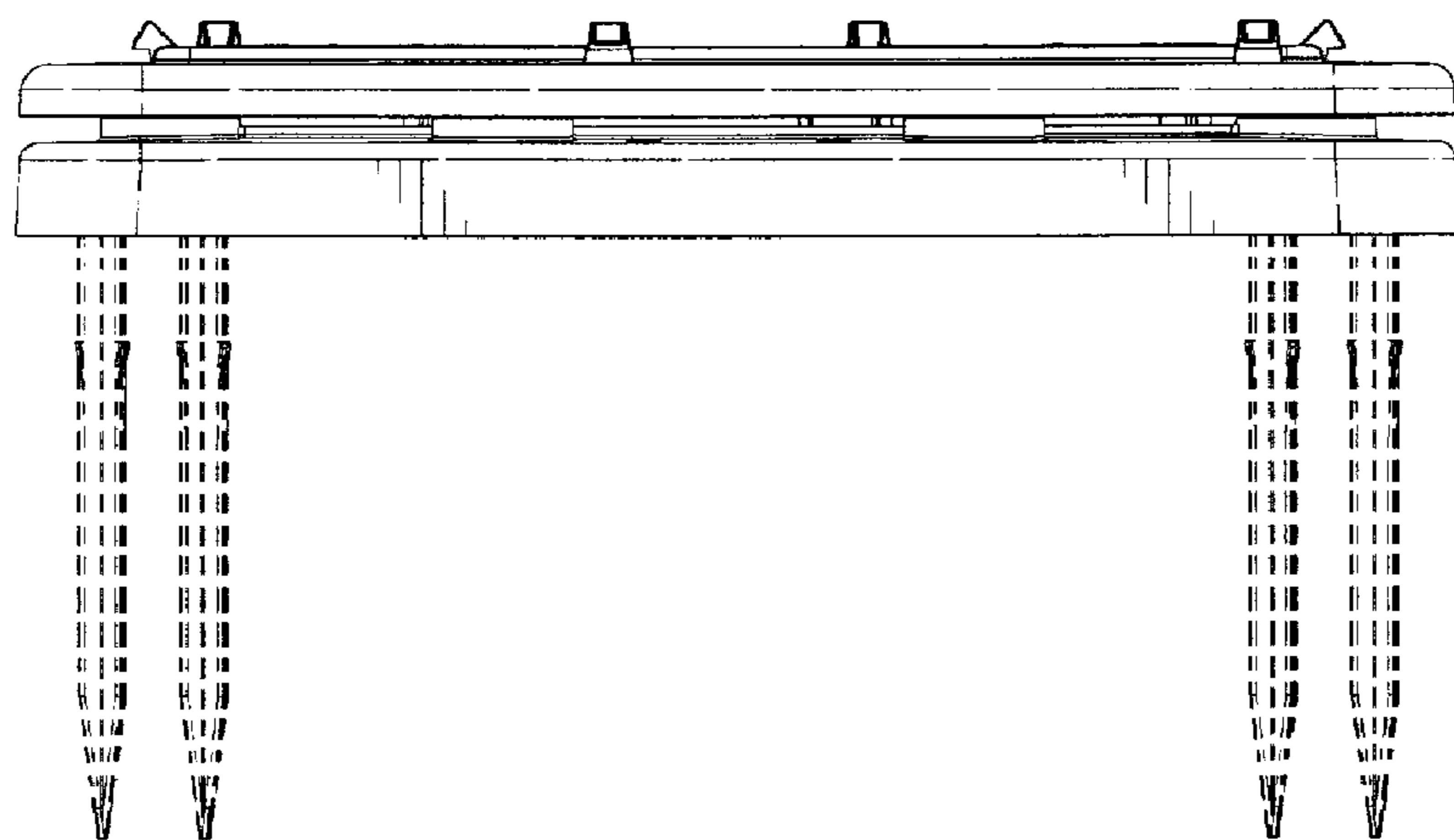


FIGURE 3

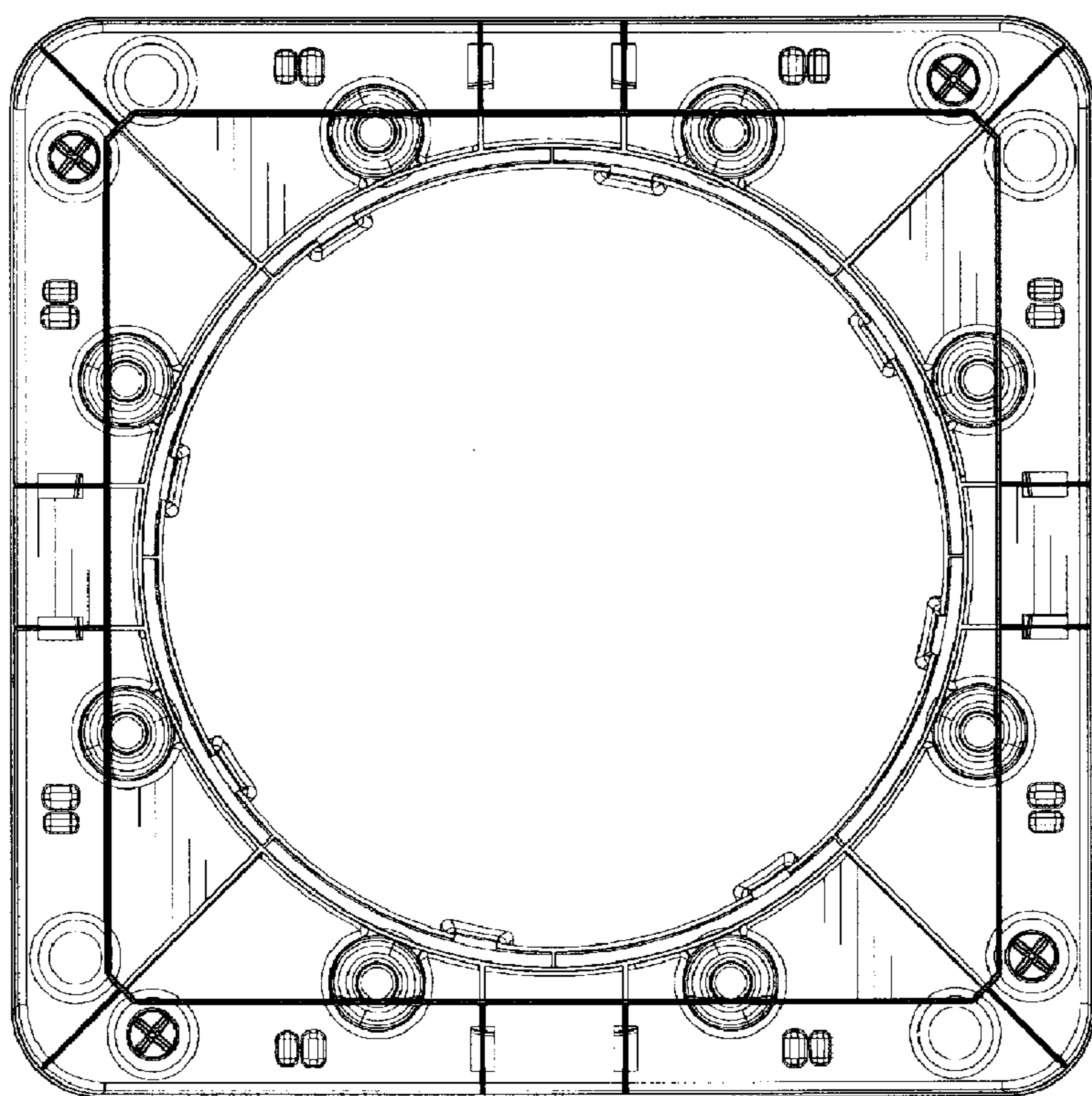


FIGURE 4

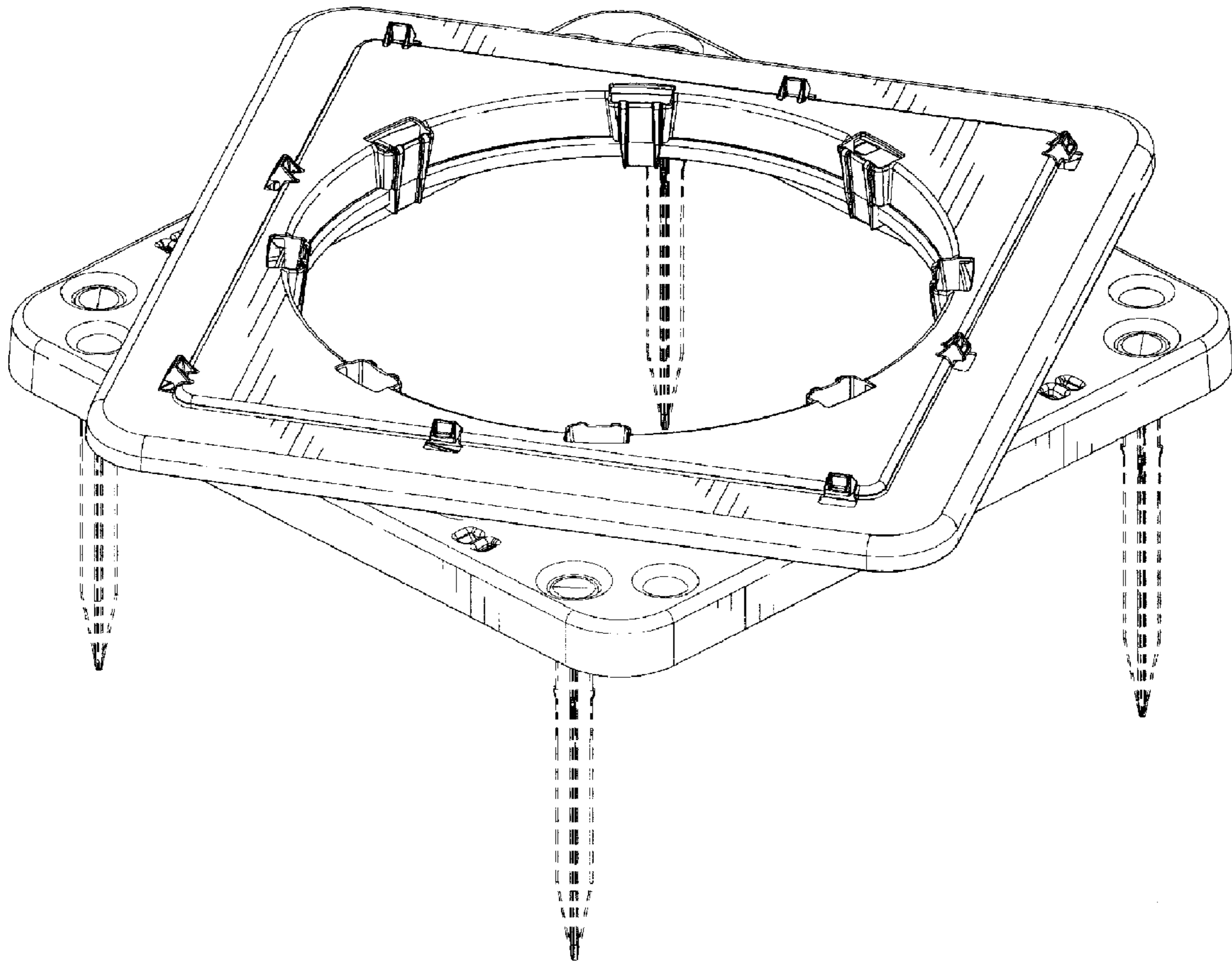


FIGURE 5

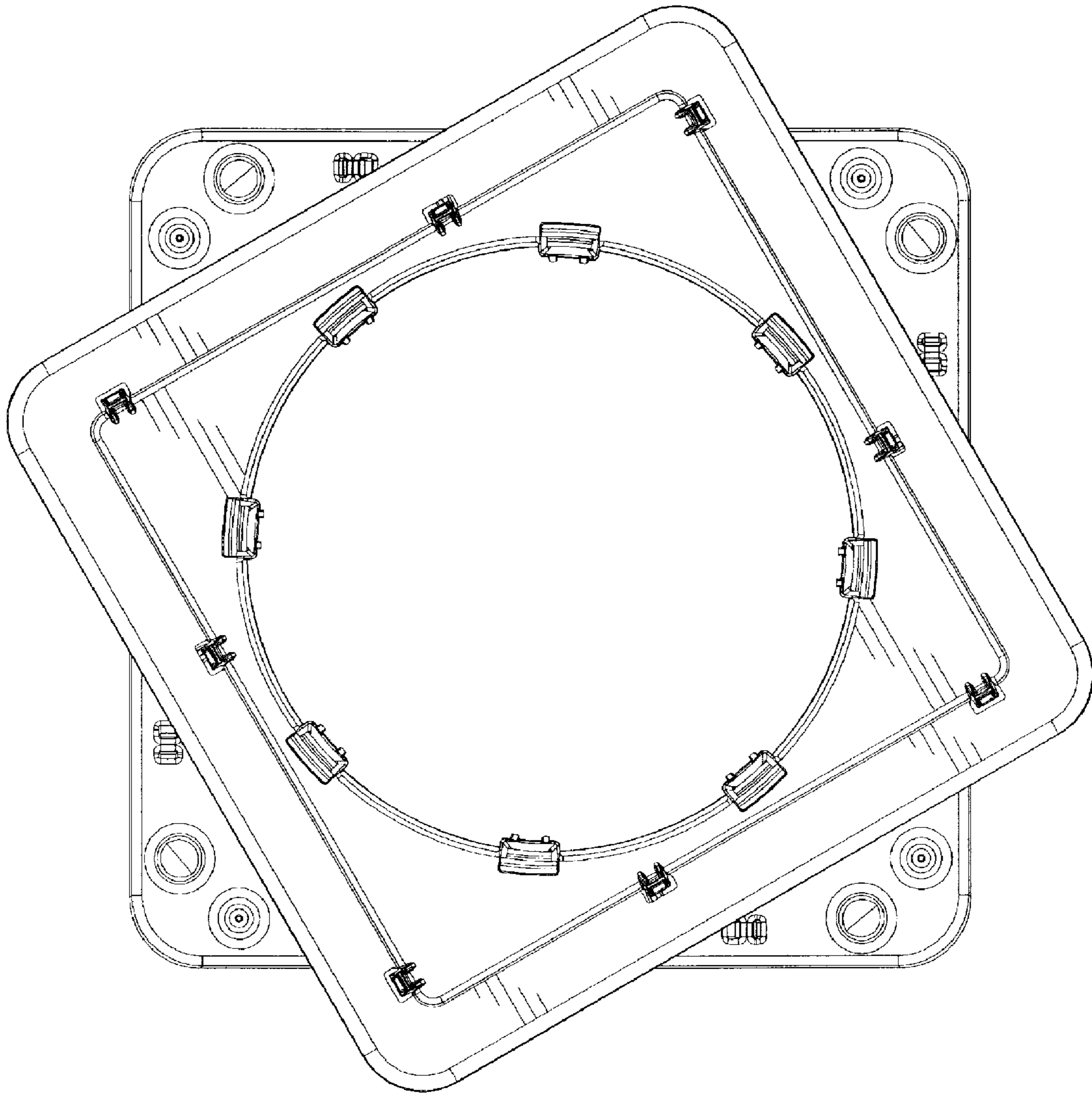


FIGURE 6

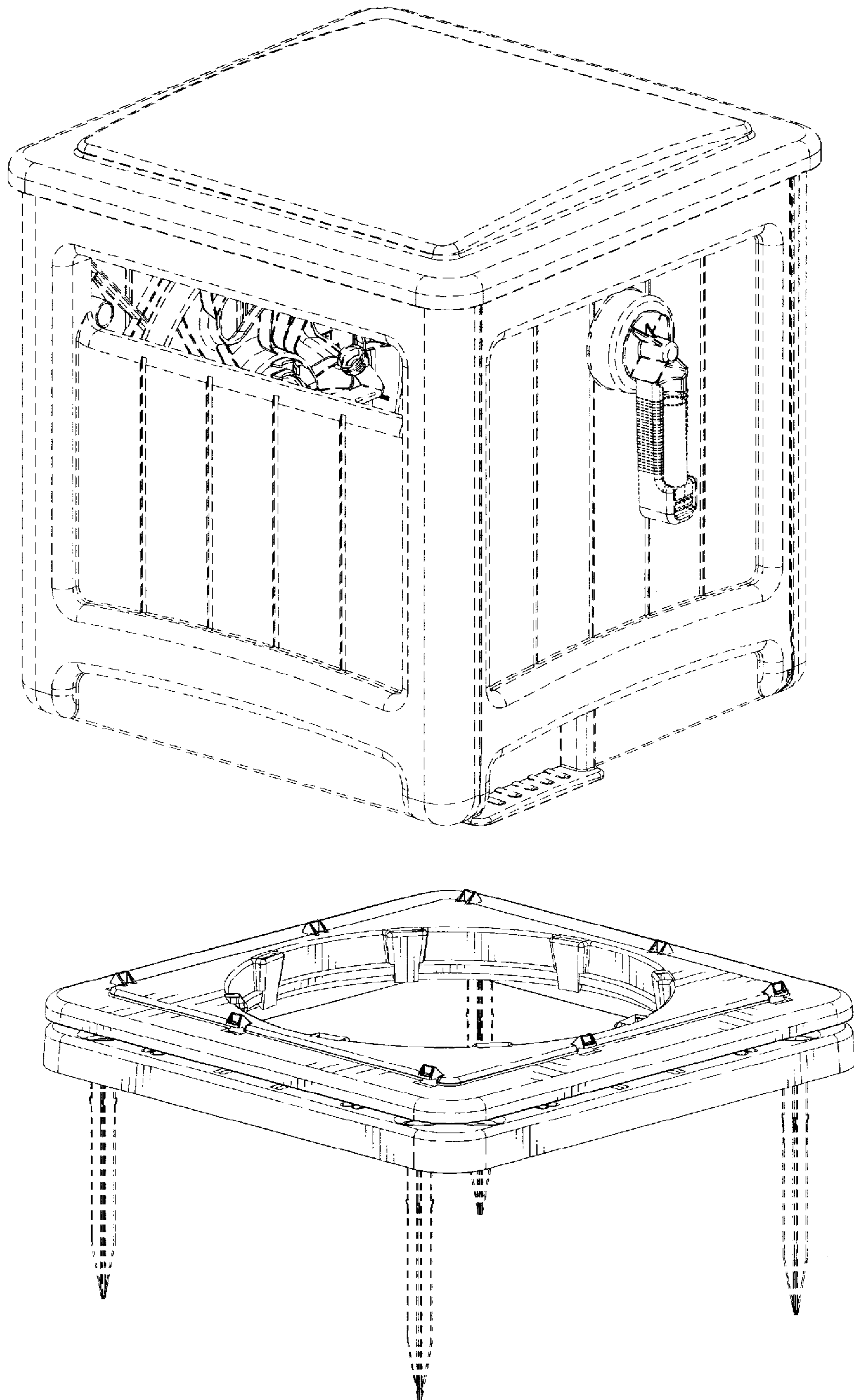


FIGURE 7

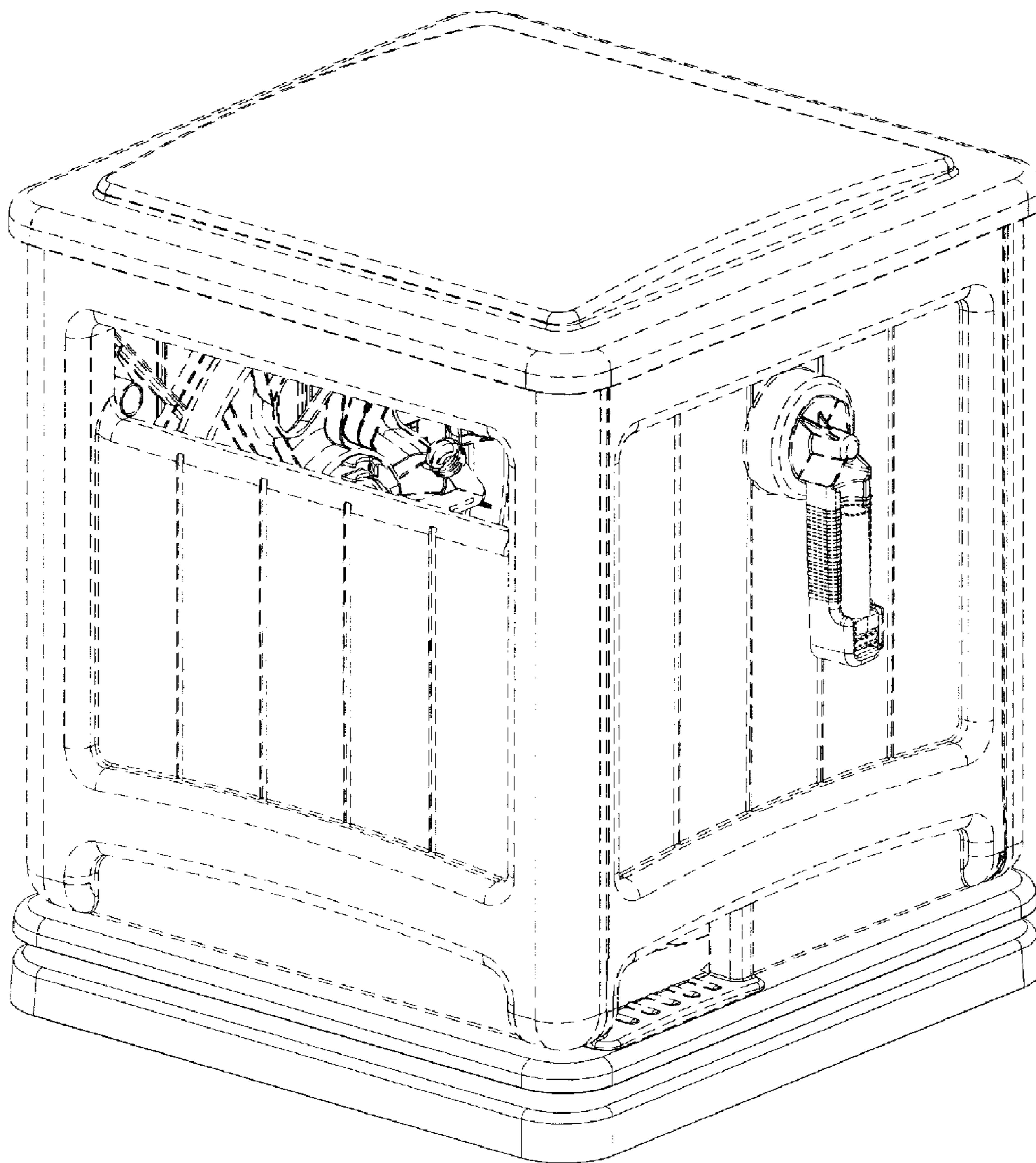


FIGURE 8

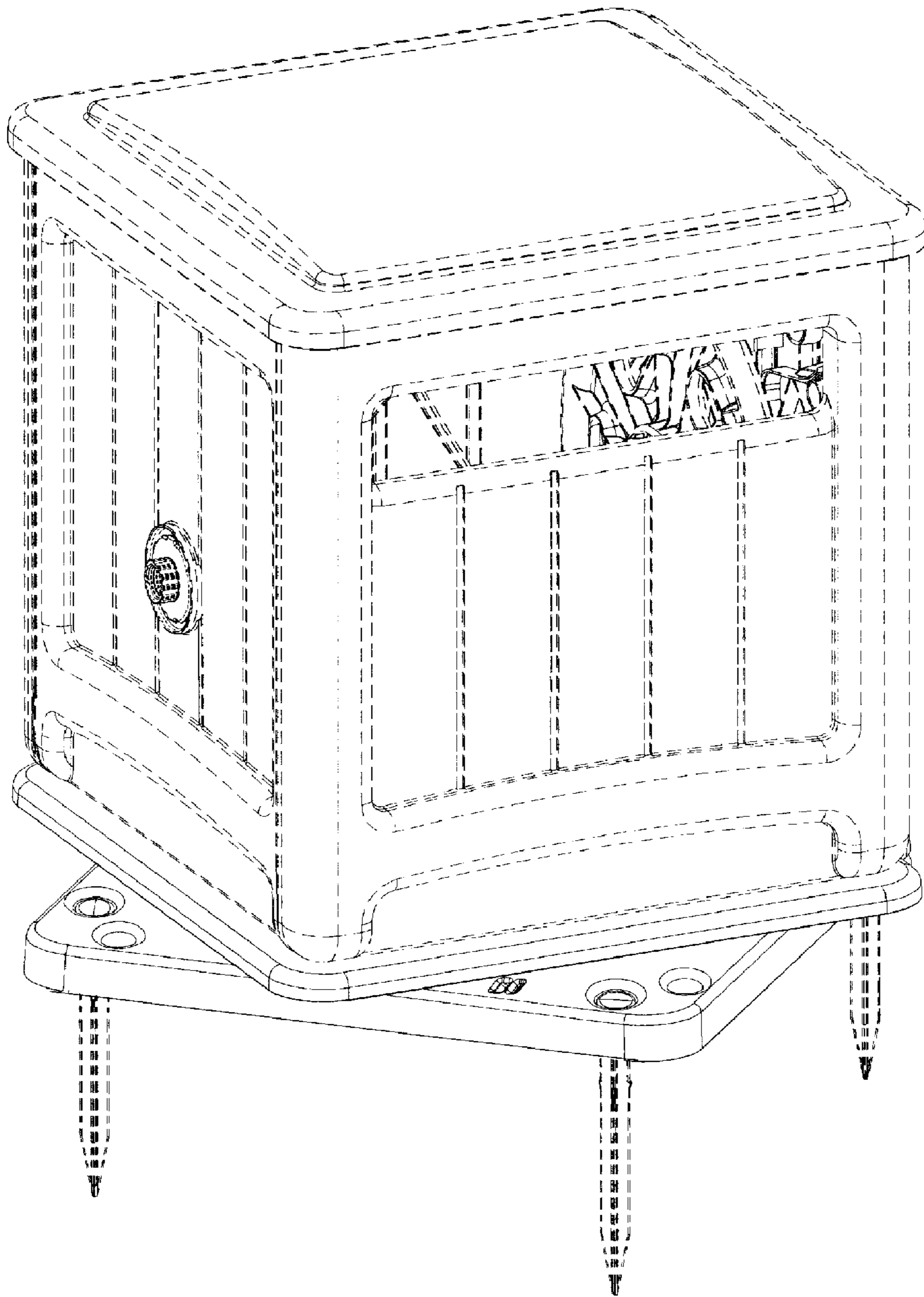


FIGURE 9