



US00D554476S

(12) **United States Design Patent** (10) **Patent No.:** **US D554,476 S**  
**Peterson** (45) **Date of Patent:** **\*\* Nov. 6, 2007**

(54) **ELECTRONIC DEVICE MOUNTING COUPLER**

*Primary Examiner*—Holly H. Baynham  
(74) *Attorney, Agent, or Firm*—Brinks Hofer Gilson & Lione

(75) Inventor: **Kurt W. Peterson**, La Crosse, WI (US)

(73) Assignee: **Watlow Electric Manufacturing Company**, St. Louis, MO (US)

(57) **CLAIM**

(\*\*) Term: **14 Years**

The ornamental design for a electronic device mounting coupler, as shown and described.

(21) Appl. No.: **29/252,950**

(22) Filed: **Jan. 31, 2006**

**DESCRIPTION**

(51) **LOC (8) Cl.** ..... **08-05**

(52) **U.S. Cl.** ..... **D8/354**

(58) **Field of Classification Search** ..... D8/354,  
D8/349, 363; D14/451, 251; 248/274.1,  
248/284.1, 288.11, 221.11

See application file for complete search history.

FIG. 1 is a top perspective view of the electronic device mounting coupler;

FIG. 2 is a top view thereof;

FIG. 3 is a side view thereof;

FIG. 4 is an end view thereof;

FIG. 5 is a bottom view thereof; and,

FIG. 6 is a bottom perspective view thereof.

(56) **References Cited**

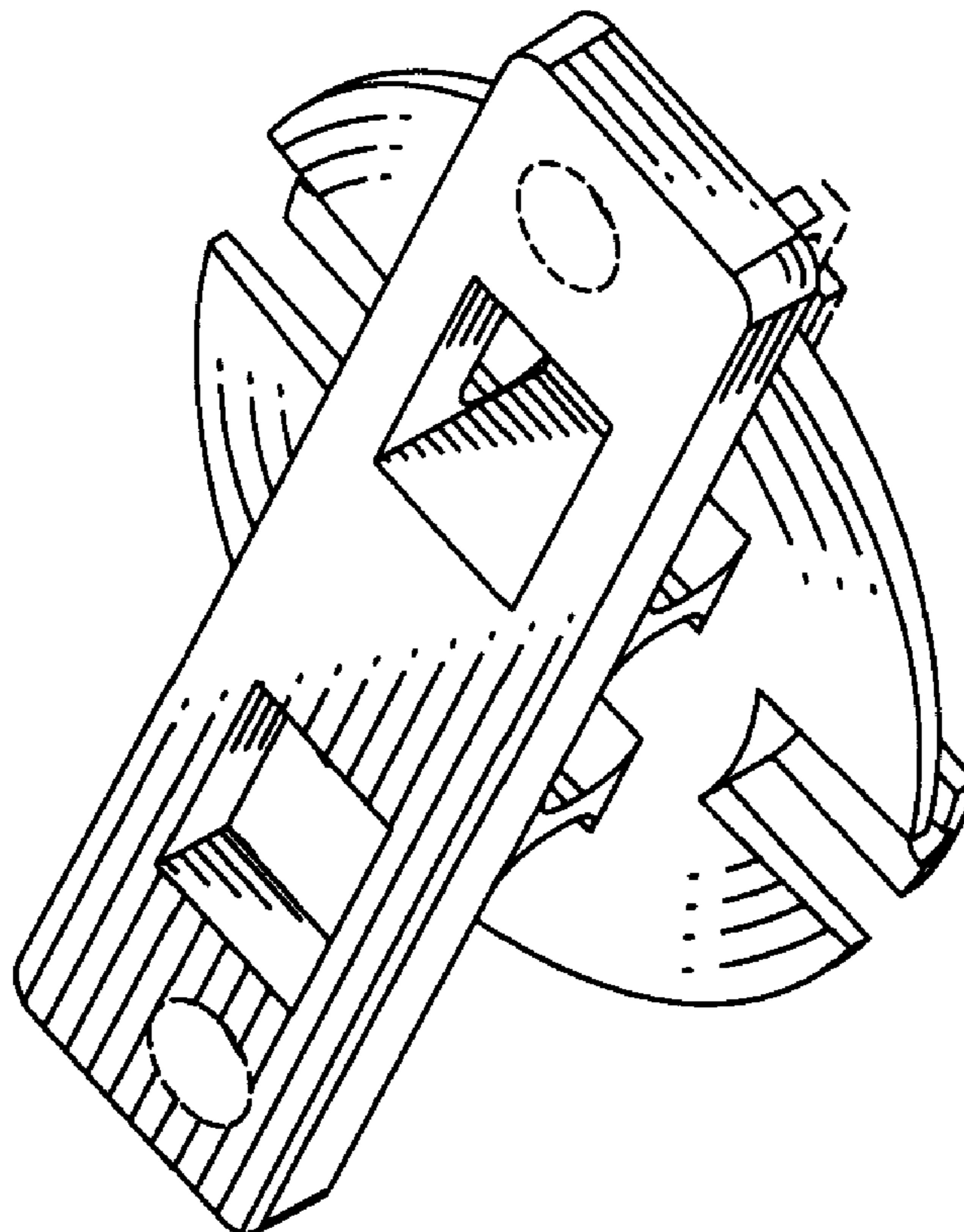
**U.S. PATENT DOCUMENTS**

D347,782 S *	6/1994	Wentzel	.....	D8/356
6,042,068 A *	3/2000	Tcherny	.....	248/221.11
D440,863 S *	4/2001	Worrall	.....	D8/363
D495,714 S *	9/2004	Pfister	.....	D14/451

The broken lines are included for the purpose of illustrating environmental structure and form no part of the claimed design.

\* cited by examiner

**1 Claim, 6 Drawing Sheets**



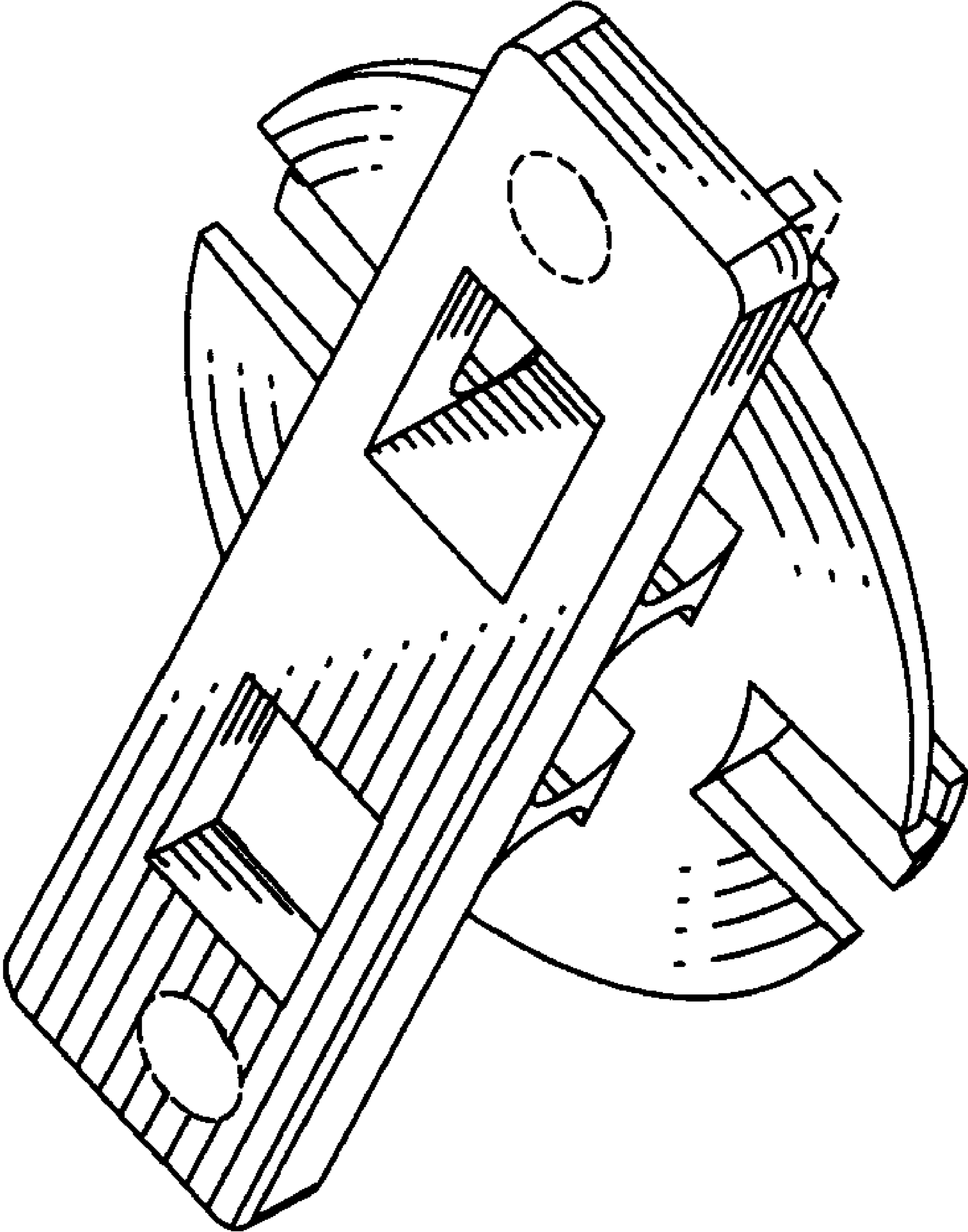


FIG. 1

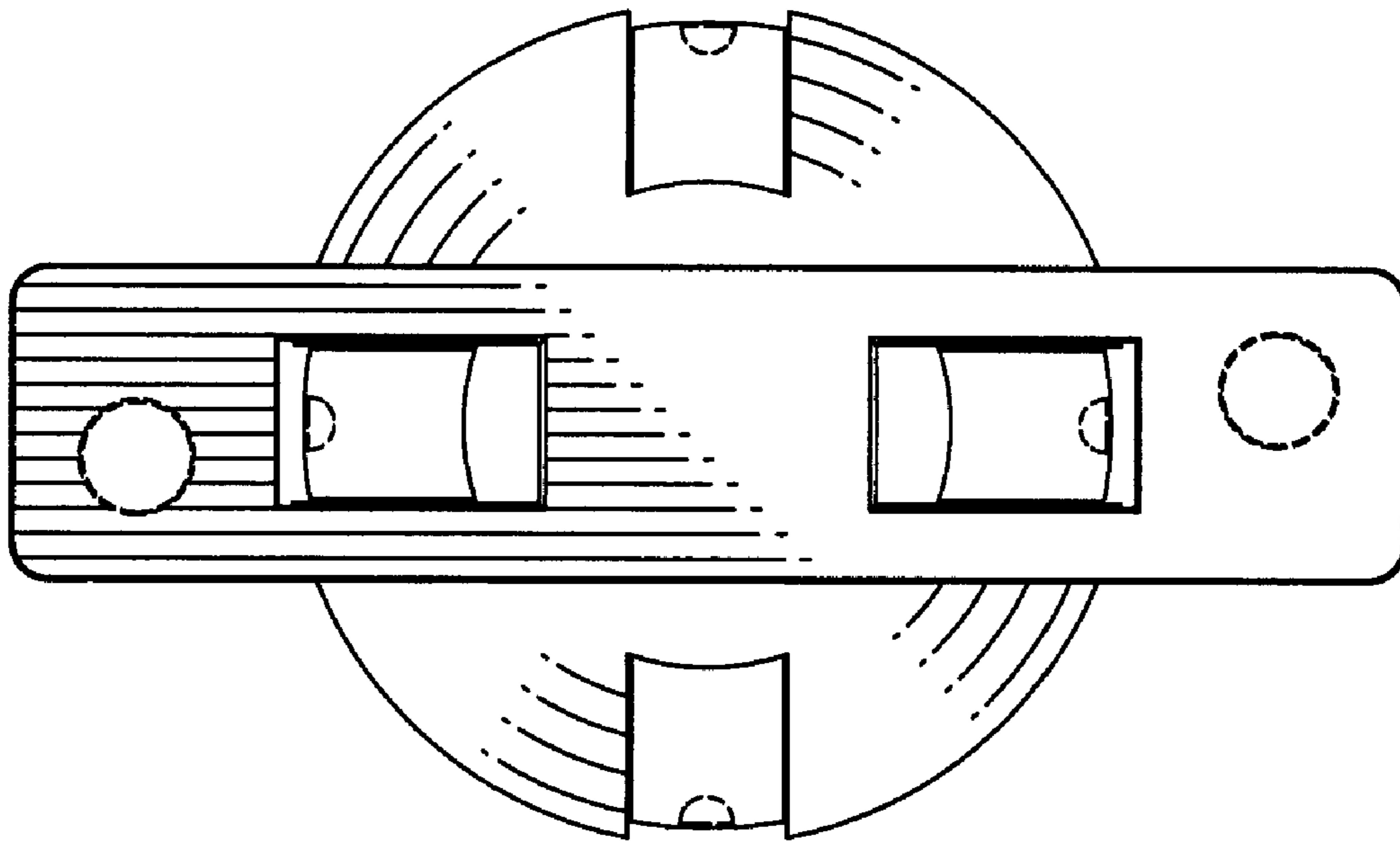


FIG. 2

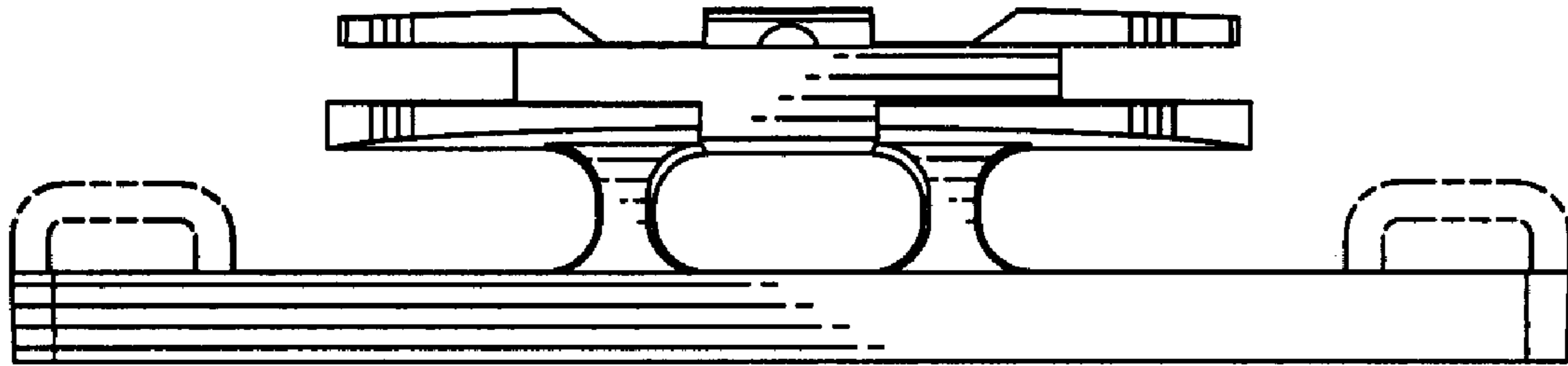


FIG. 3

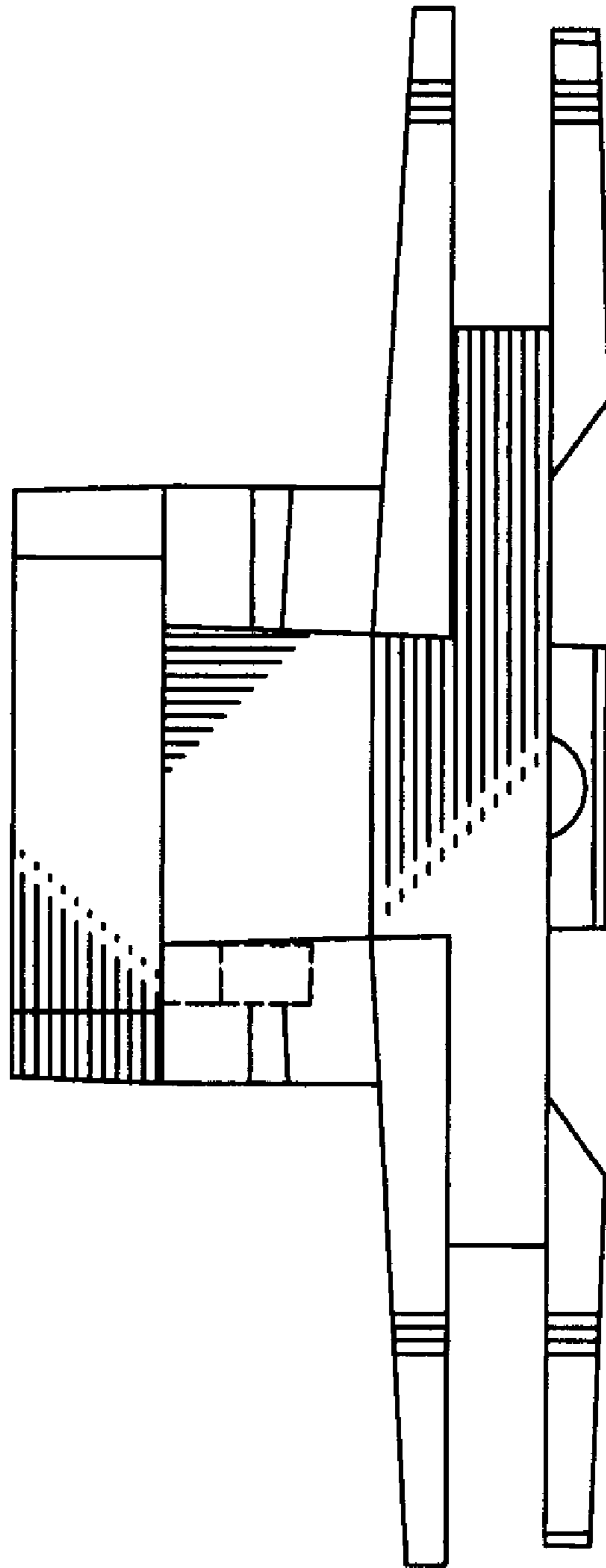


FIG. 4

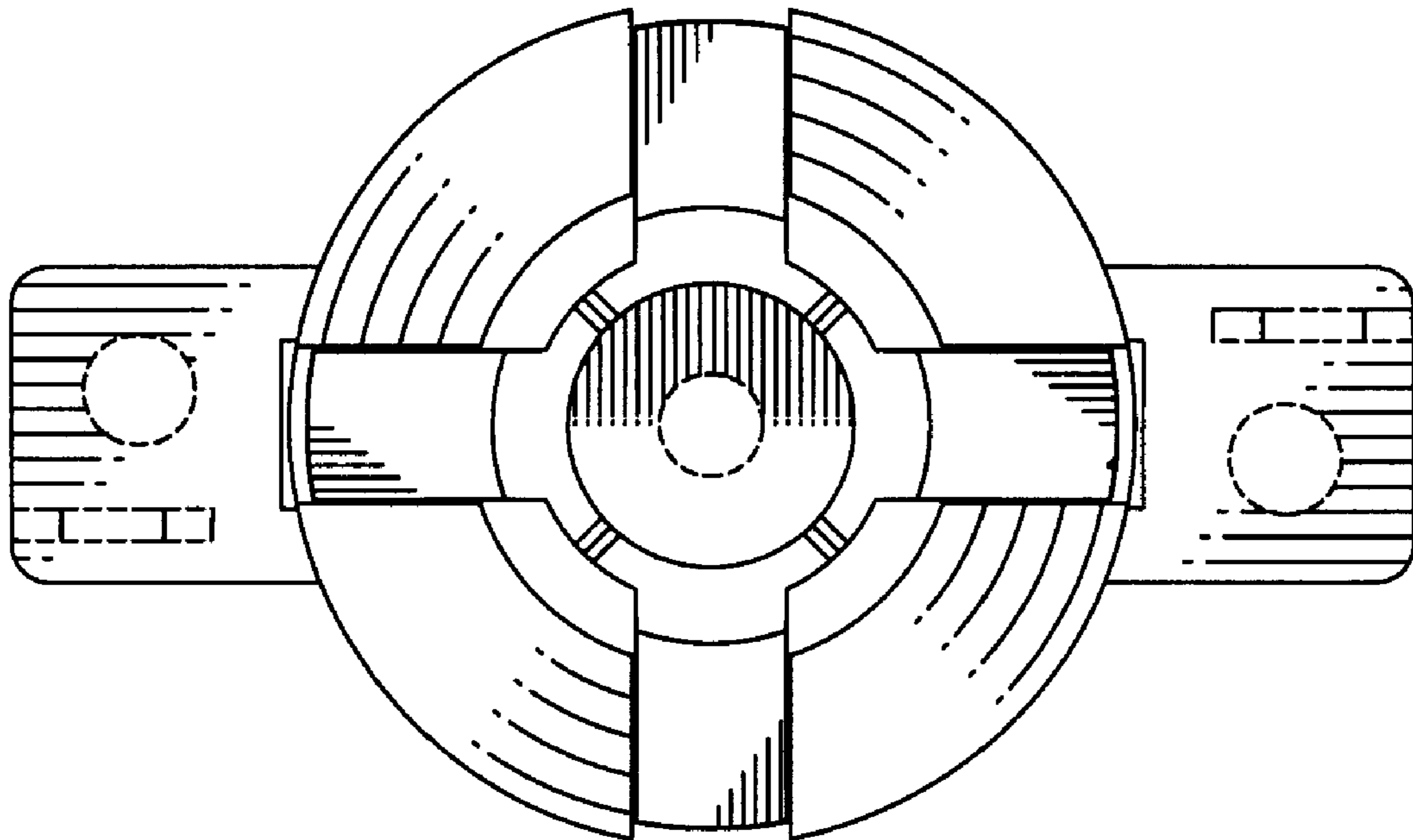


FIG. 5

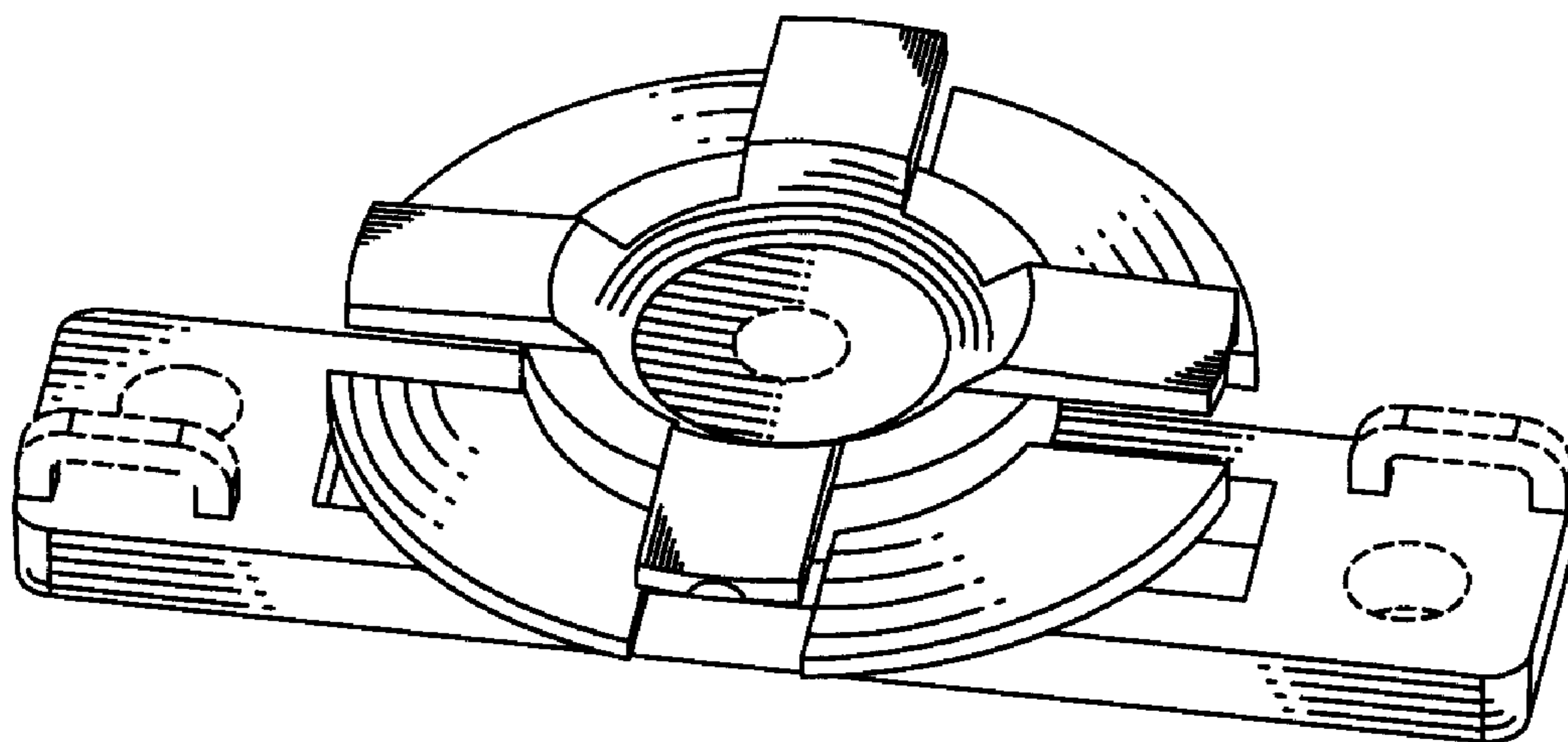


FIG. 6