



US00D554475S

(12) **United States Design Patent**
Gorin et al.

(10) **Patent No.:** **US D554,475 S**
(45) **Date of Patent:** **** Nov. 6, 2007**

(54) **WALL PLATE HAVING INTERNAL NOSE FOR ELECTRICAL CABLE**

D369,953 S * 5/1996 Carr D8/353
D370,890 S 6/1996 Tiberio, Jr. D13/146
D374,809 S * 10/1996 Scherer et al. D8/353

(75) Inventors: **Thomas Michael Gorin**, Atlanta, GA (US); **James Loye Hutchinson**, Dallas, GA (US)

(Continued)

(73) Assignee: **Data:) Comm Electronics, Inc.**, Norcross, GA (US)

OTHER PUBLICATIONS

Brochure: SMT Electronic Technology Sdn.Bhd. Telephone Accessories, 3 pages.

(**) Term: **14 Years**

Primary Examiner—Stella M. Reid
Assistant Examiner—Mark Goodwin

(21) Appl. No.: **29/267,745**

(74) *Attorney, Agent, or Firm*—Thomas, Kayden, Horstemeyer & Risley, LLP

(22) Filed: **Oct. 20, 2006**

(57) **CLAIM**

(51) **LOC (8) Cl.** **11-05**

The ornamental design for a wall plate having internal nose for electrical cable, as shown and described.

(52) **U.S. Cl.** **D8/353**

(58) **Field of Classification Search** D8/350–353;
D10/108, 125, 123, 158, 169, 171, 156, 174,
D10/162, 177, 184; 174/66, 67; 248/56;
200/304, 330; 40/729, 732; 250/462
See application file for complete search history.

DESCRIPTION

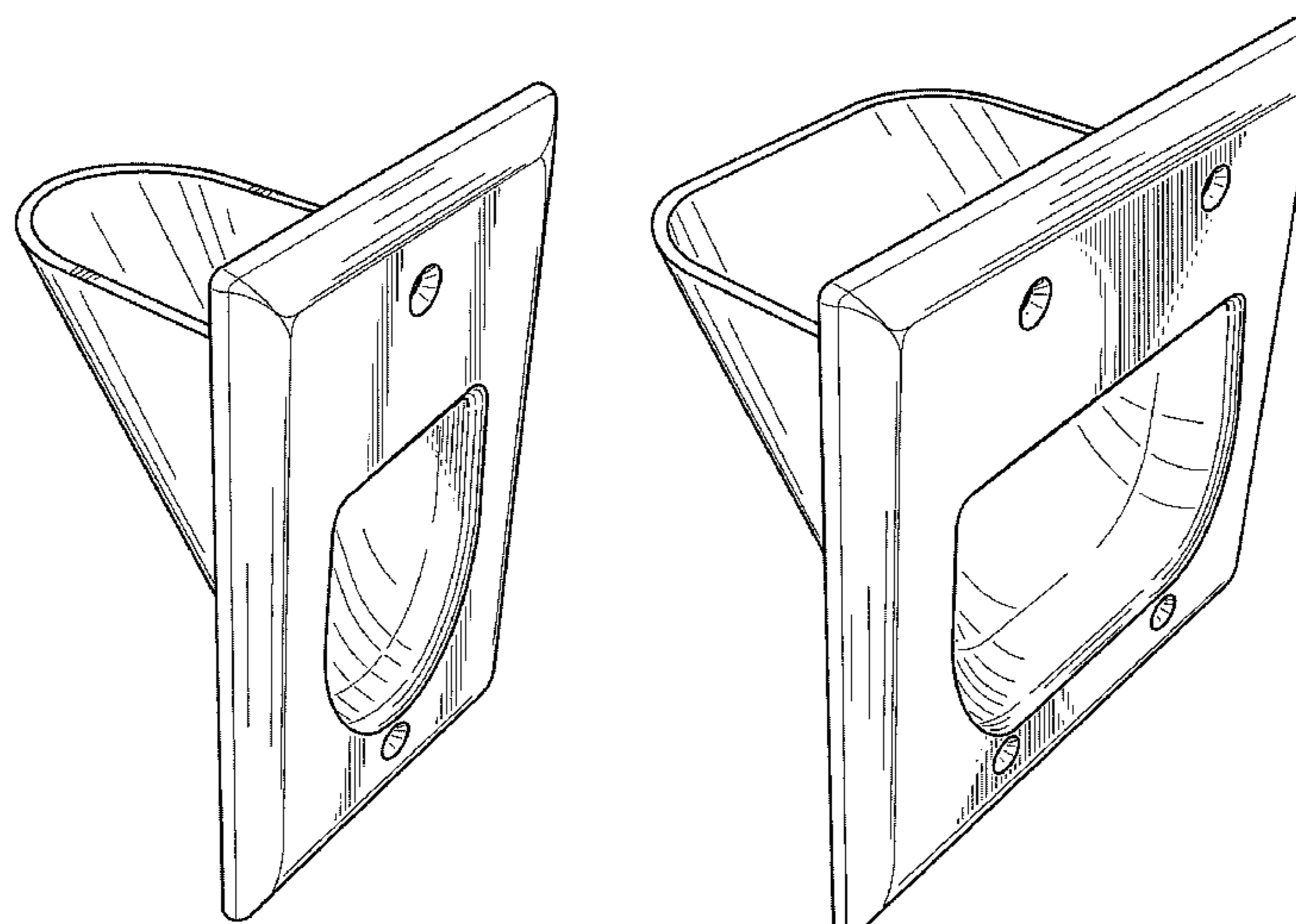
(56) **References Cited**

U.S. PATENT DOCUMENTS

- D126,098 S 3/1941 McIntosh
- D131,009 S 1/1942 Leslie
- D131,010 S 1/1942 Leslie
- D134,477 S 12/1942 Leslie
- D261,924 S 11/1981 Donohue D23/127
- 4,558,172 A * 12/1985 Zetena 174/66
- D286,739 S * 11/1986 Larsson D8/353
- 4,688,747 A 8/1987 Helmsdorfer et al. 248/56
- D304,442 S * 11/1989 Fenne D13/169
- 4,950,840 A * 8/1990 Zetena 174/66
- 4,960,317 A * 10/1990 Briggs et al. 385/56
- D321,557 S 11/1991 Bezick et al. D23/393
- 5,124,506 A * 6/1992 Briggs et al. 174/67
- 5,219,297 A * 6/1993 Stein et al. 439/188
- D346,587 S 5/1994 Herman et al. D13/177
- D350,278 S 9/1994 Figueroa D8/353
- 5,484,308 A * 1/1996 Gotz et al. 439/536

FIG. 1 is a perspective view of a single wide wall plate having internal nose for electrical cable;
 FIG. 2 is a right side view thereof;
 FIG. 3 is a left side view thereof;
 FIG. 4 is a front view thereof;
 FIG. 5 is a back view thereof;
 FIG. 6 is a top view thereof;
 FIG. 7 is a bottom view thereof;
 FIG. 8 is a perspective view of a double wide wall plate having internal nose for electrical cable;
 FIG. 9 is a right side view thereof;
 FIG. 10 is a left side view thereof;
 FIG. 11 is a front view thereof;
 FIG. 12 is a back view thereof;
 FIG. 13 is a top view thereof; and,
 FIG. 14 is a bottom view thereof.

1 Claim, 5 Drawing Sheets



US D554,475 S

Page 2

U.S. PATENT DOCUMENTS

D379,797 S	6/1997	Arnett	D13/156	D411,734 S	6/1999	Hsiang	D8/353
5,645,449 A *	7/1997	Sabo	439/540.1	D430,149 S	8/2000	Afshar-Ghochani	D14/240
5,664,955 A	9/1997	Arnett	439/135	D502,386 S	3/2005	Provenzano et al.	D8/350
D401,561 S	11/1998	Brownell et al.	D13/156	D503,156 S	3/2005	Provenzano	D13/156

* cited by examiner

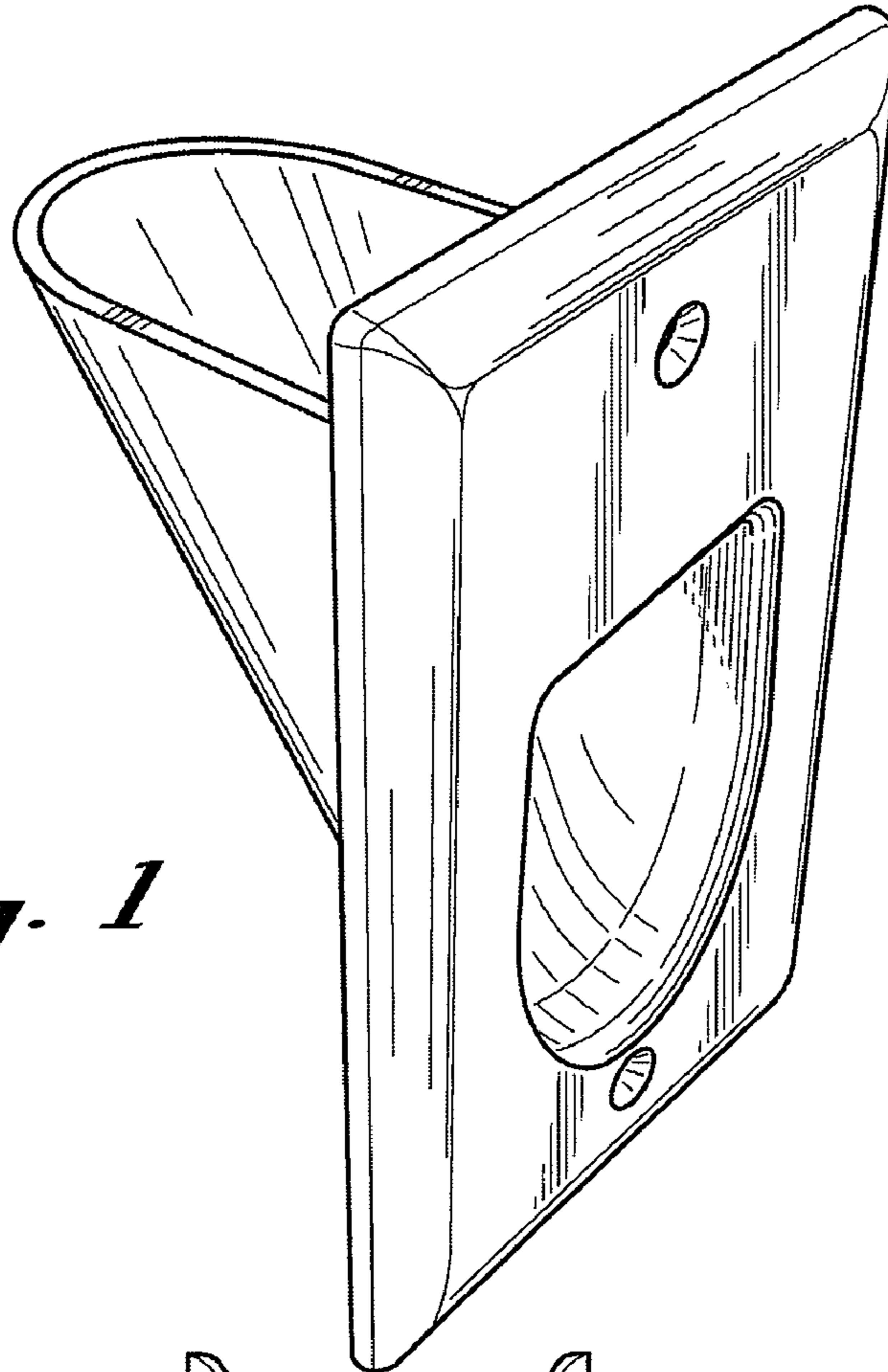


Fig. 1

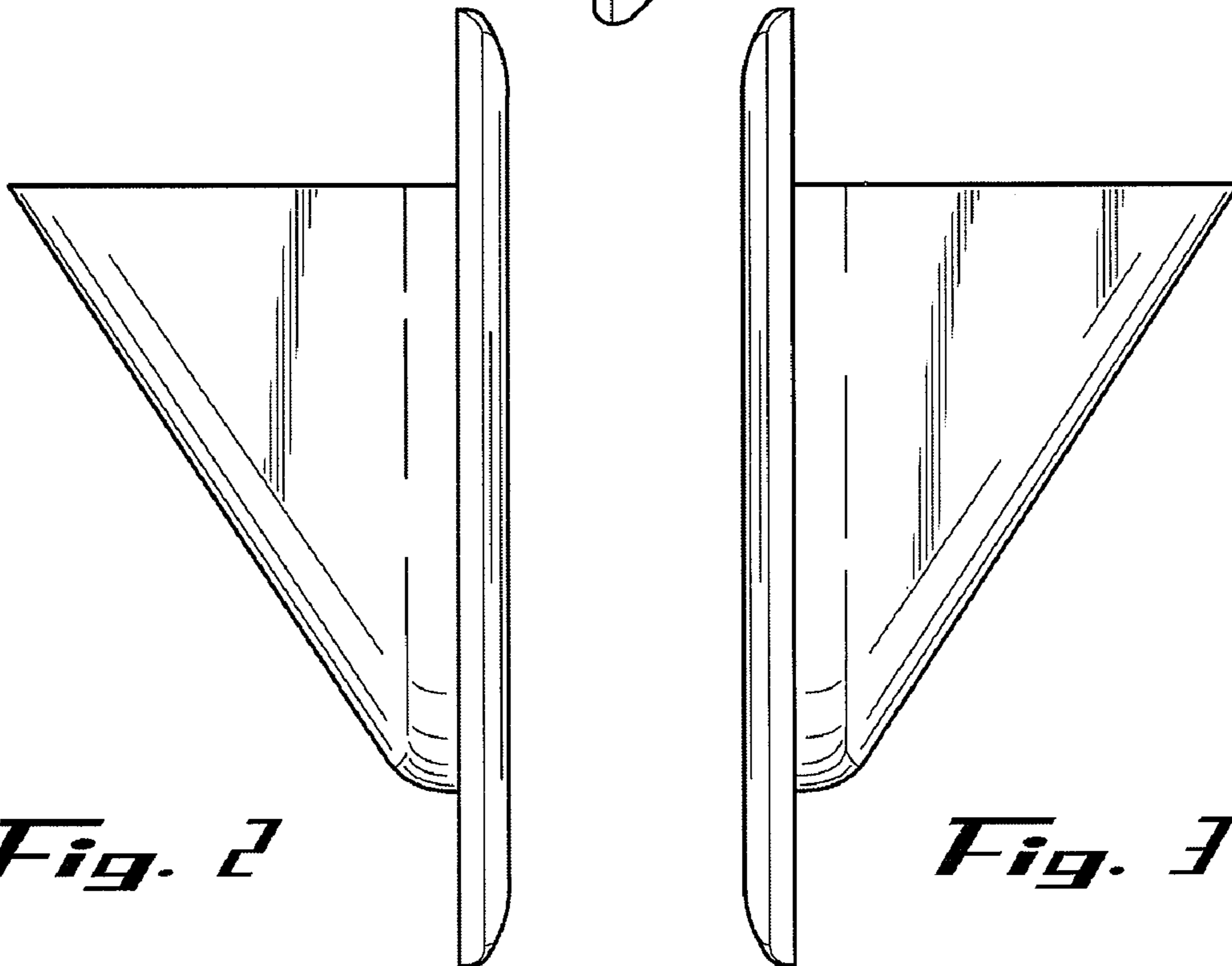


Fig. 2

Fig. 3

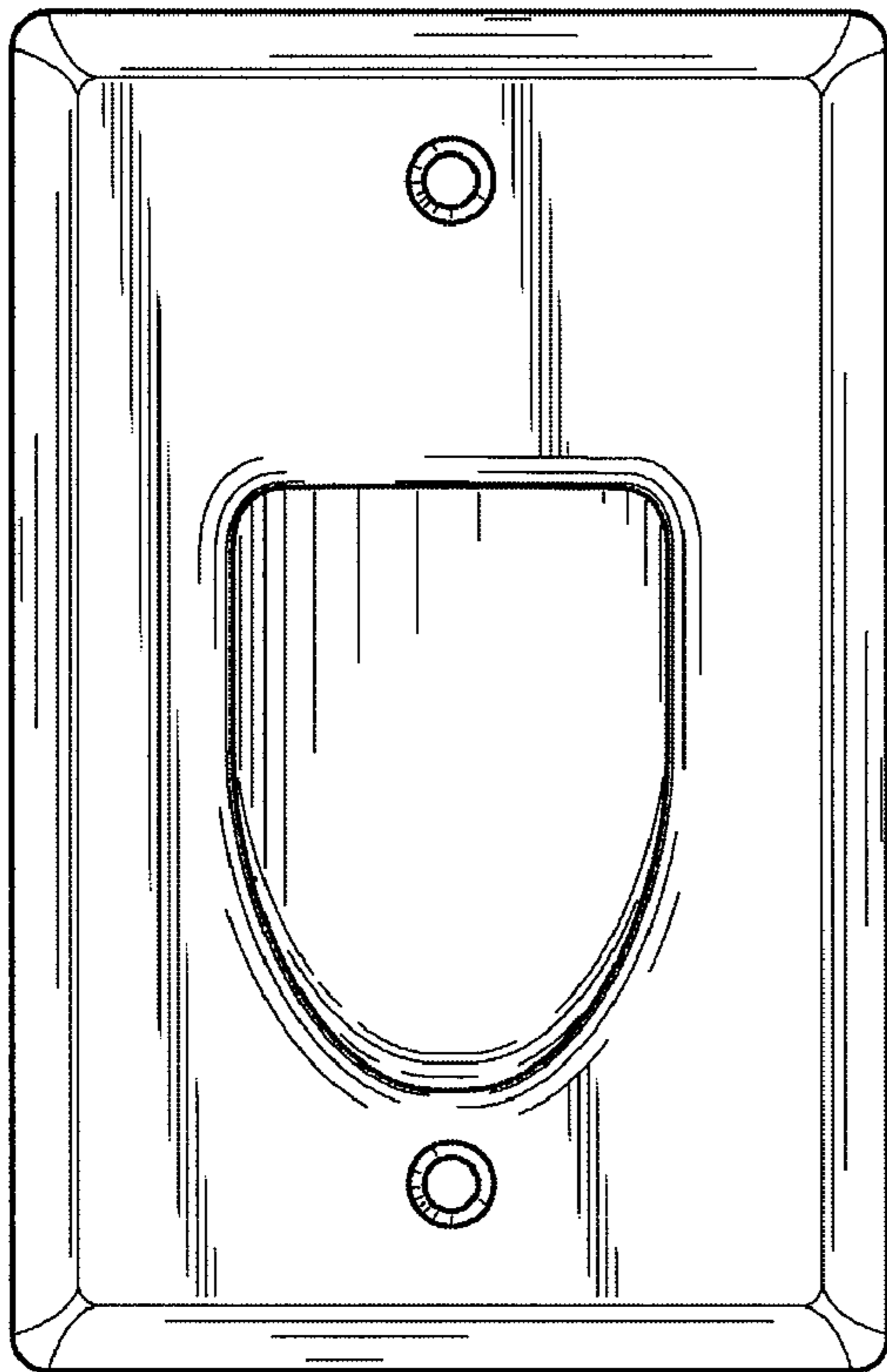


Fig. 4

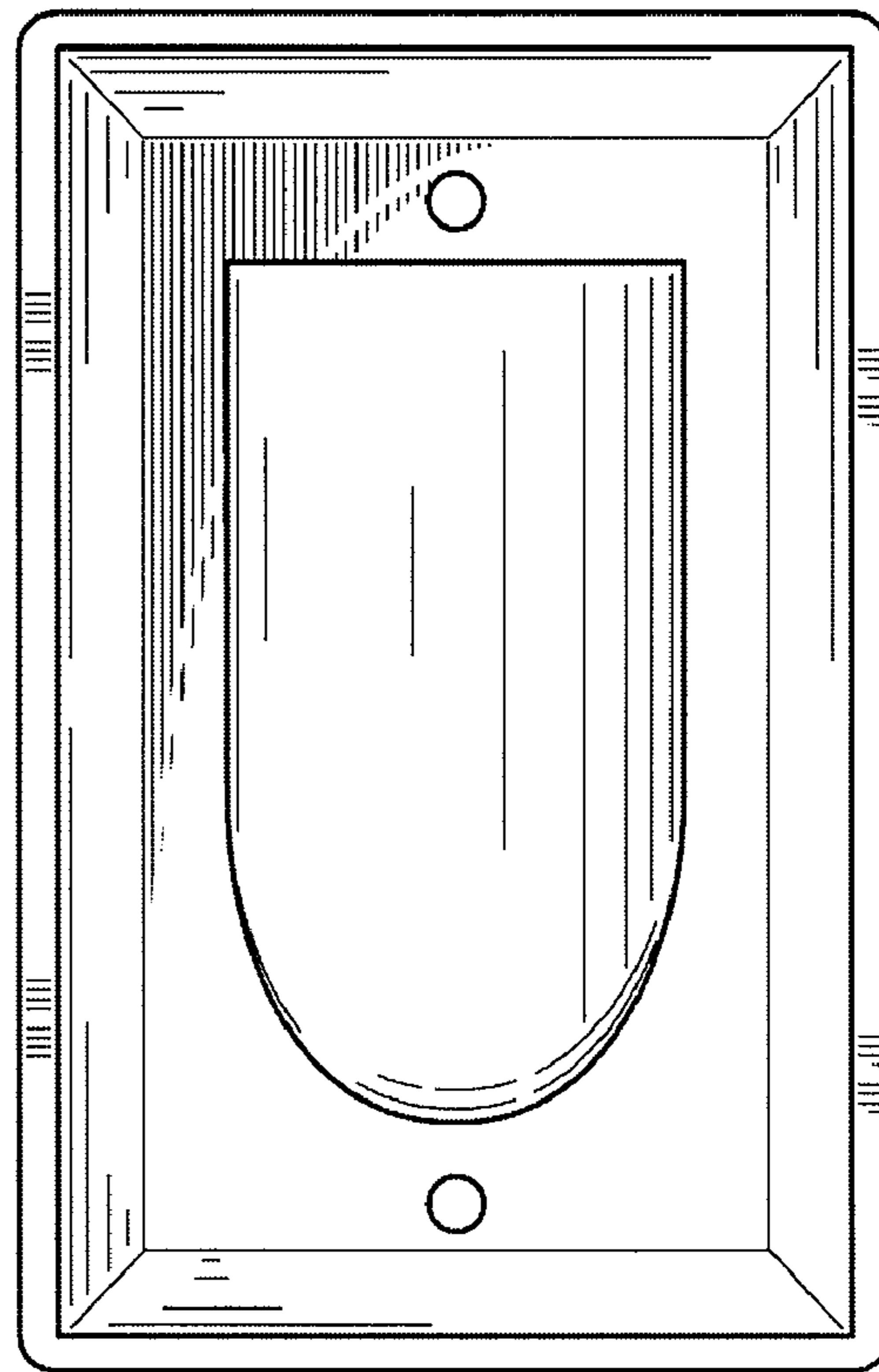


Fig. 5

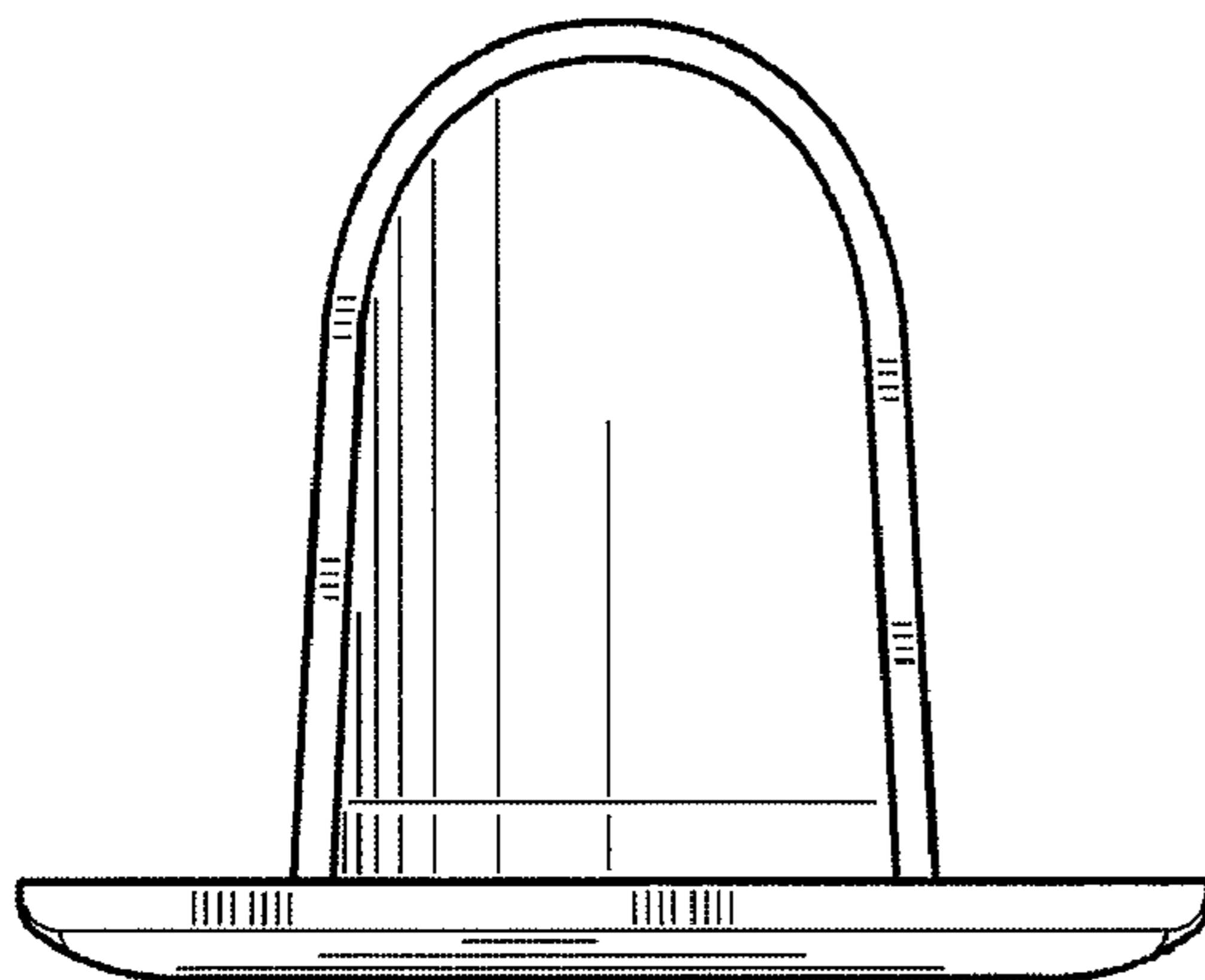


Fig. 6

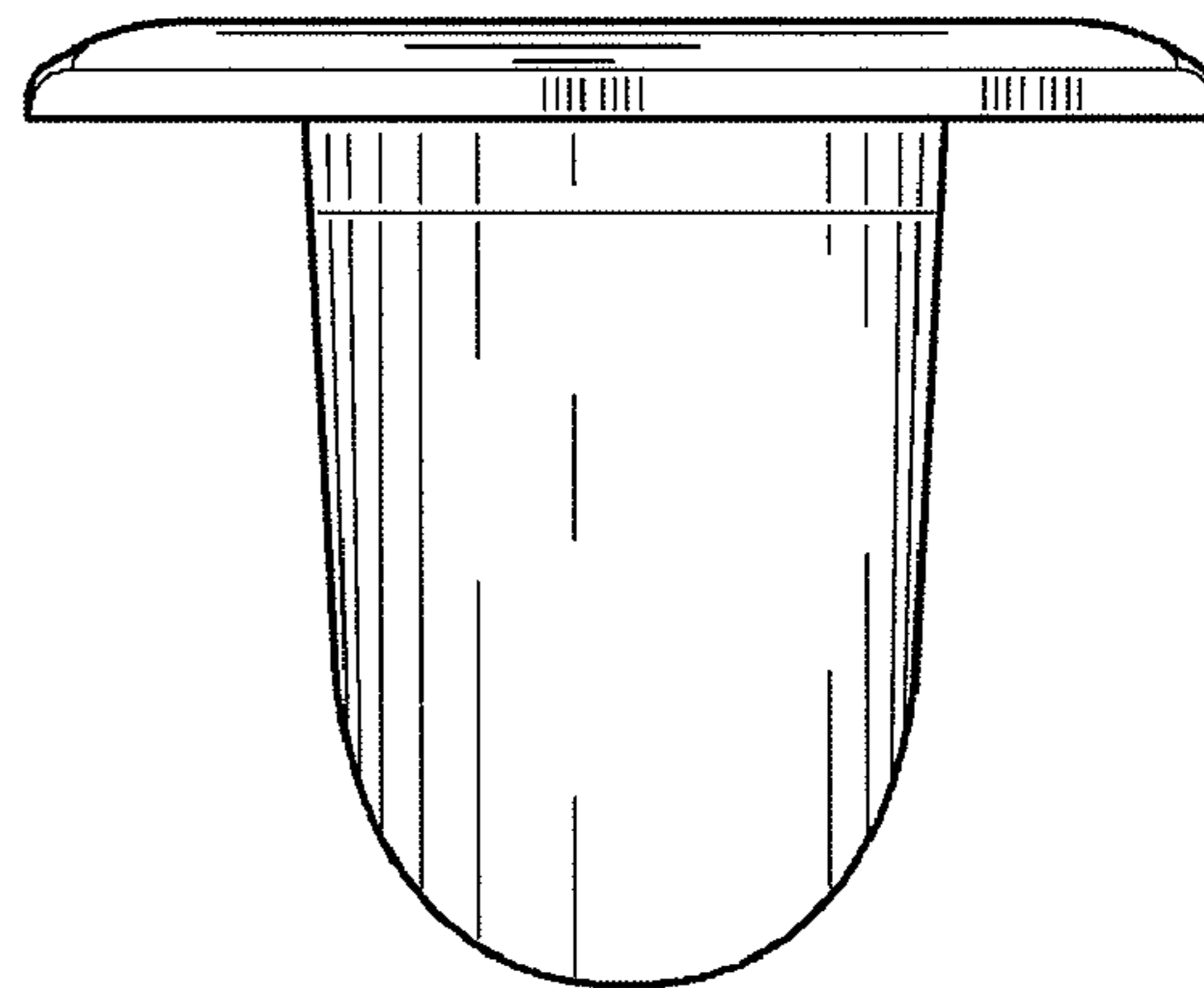


Fig. 7

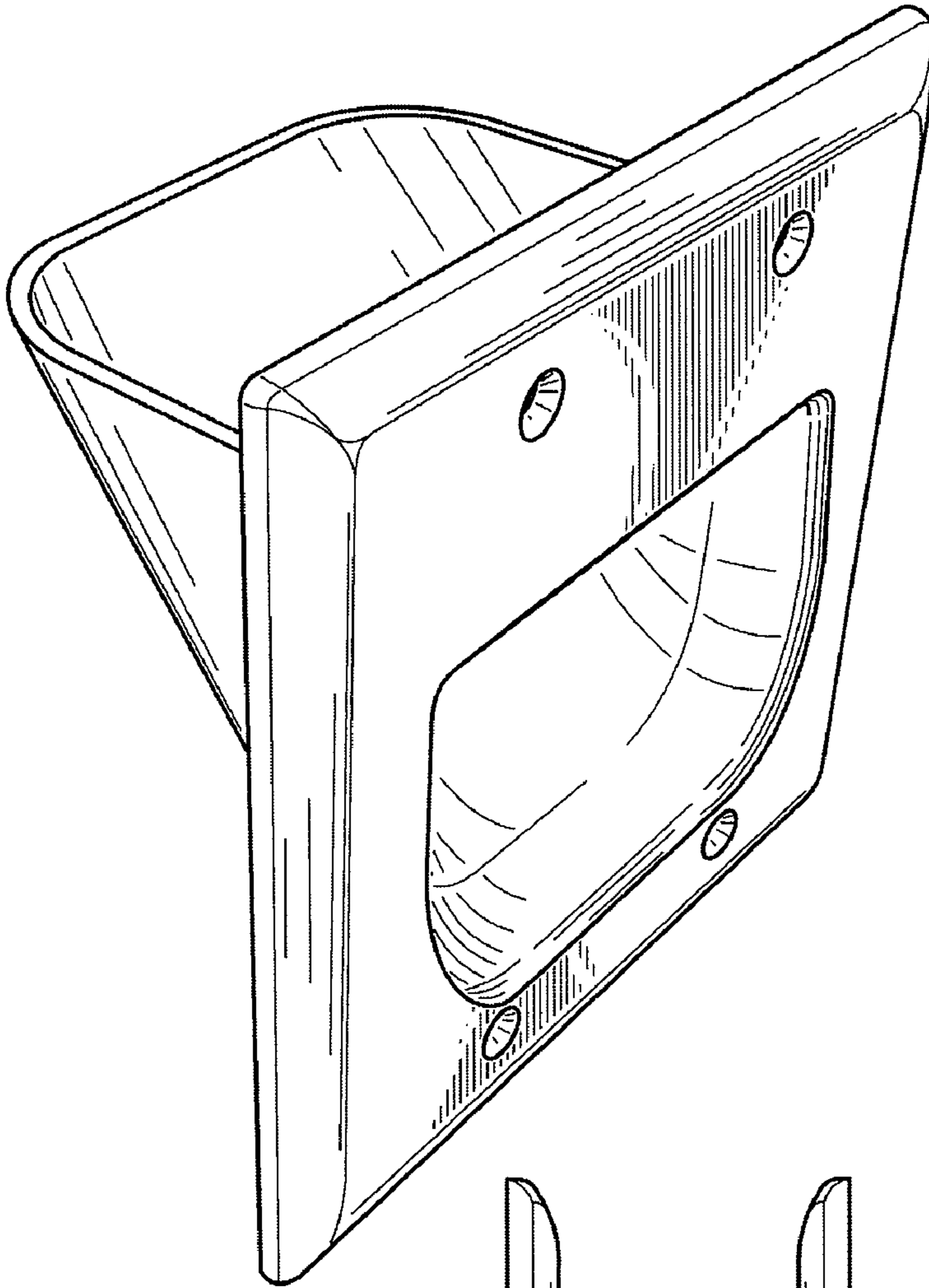


Fig. 8

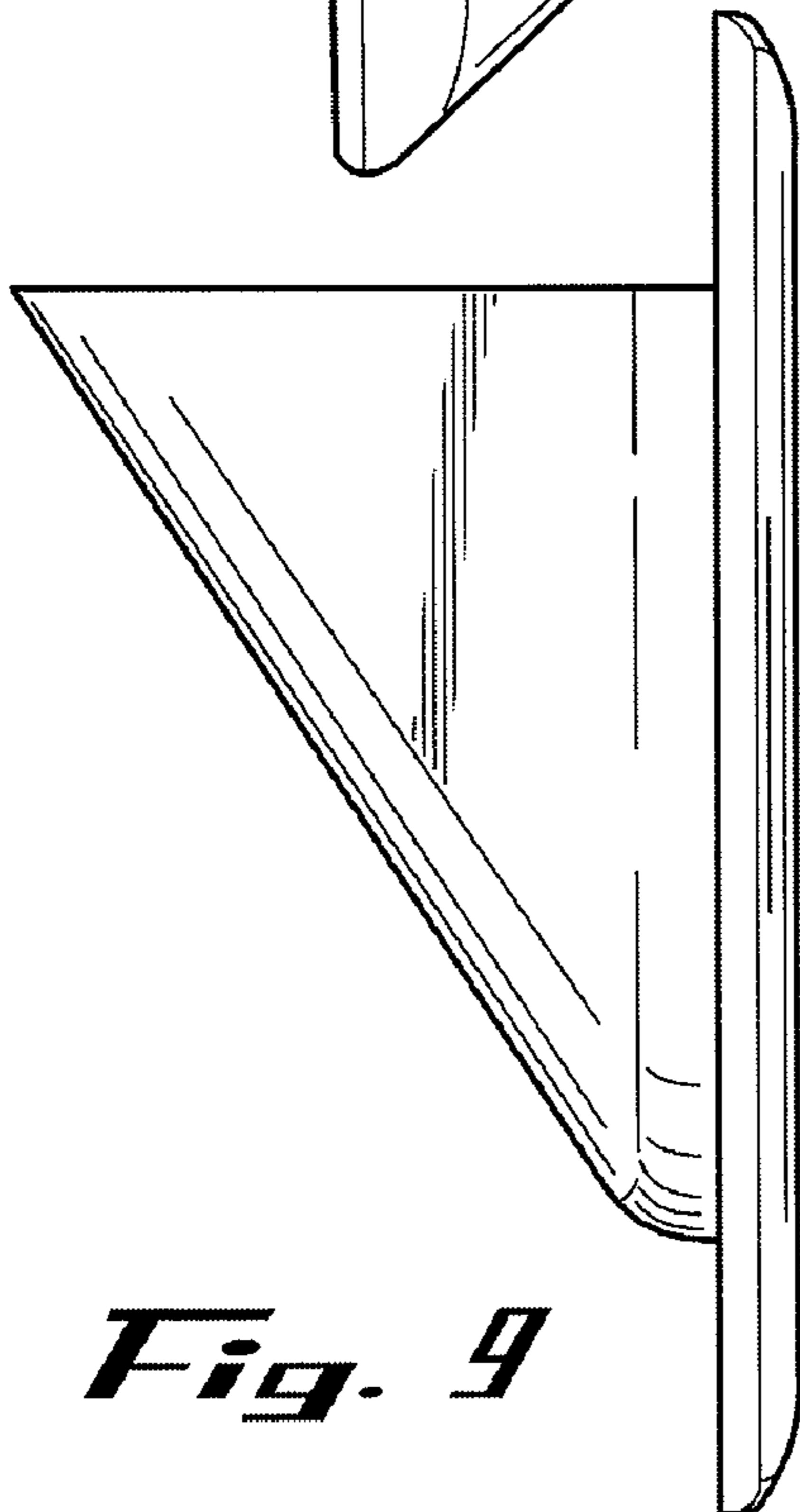


Fig. 9

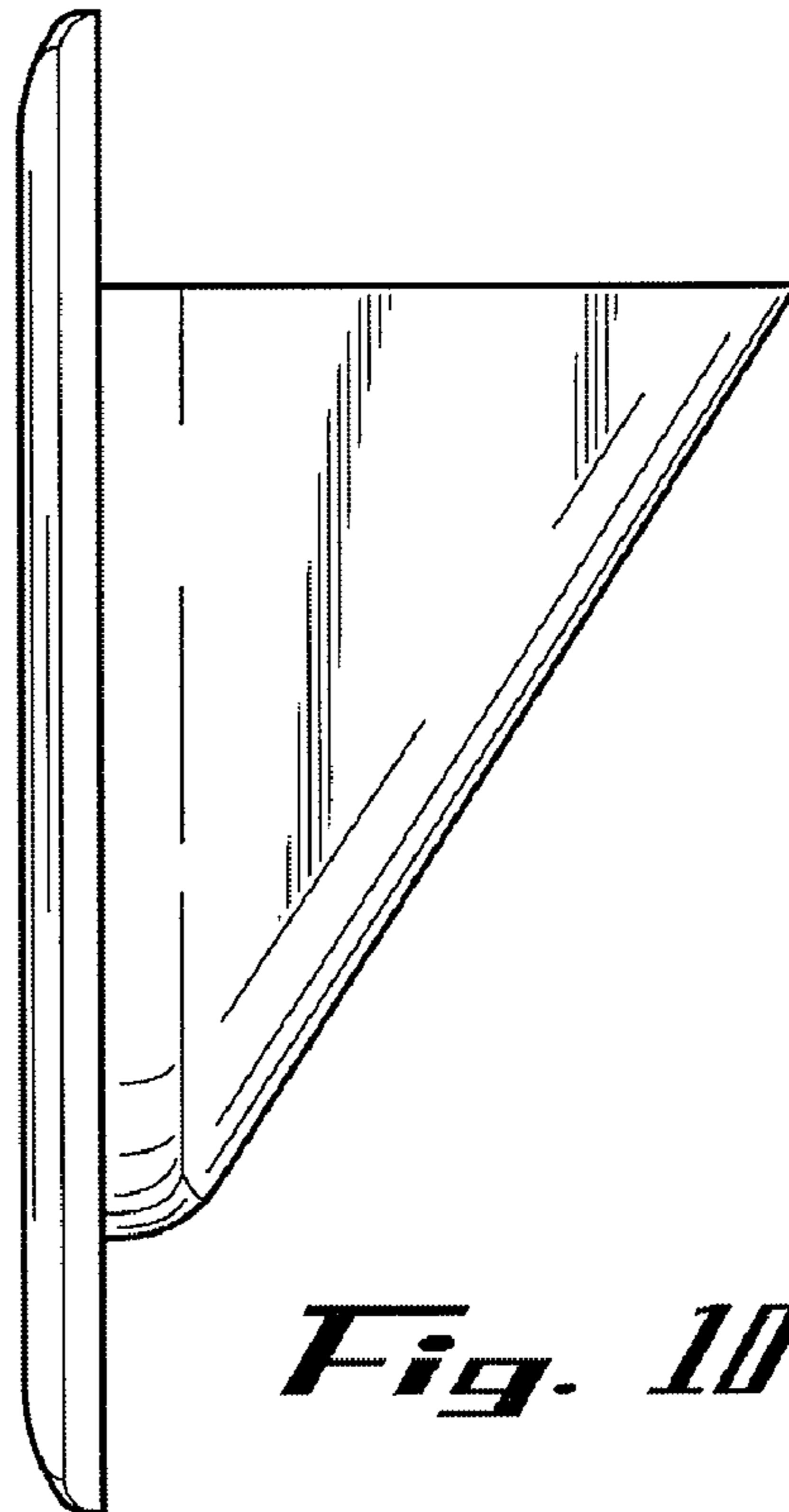


Fig. 10

Fig. 11

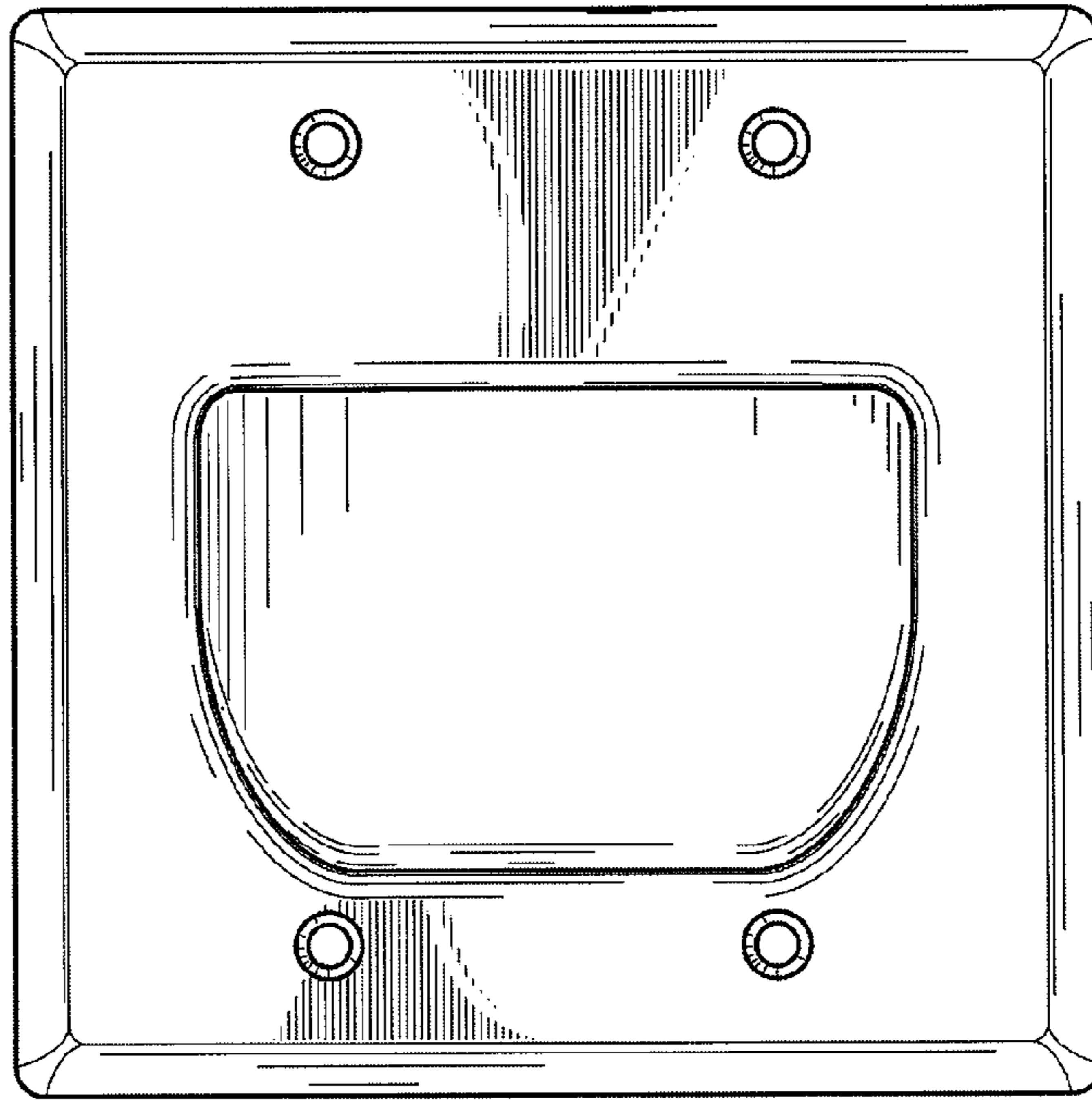
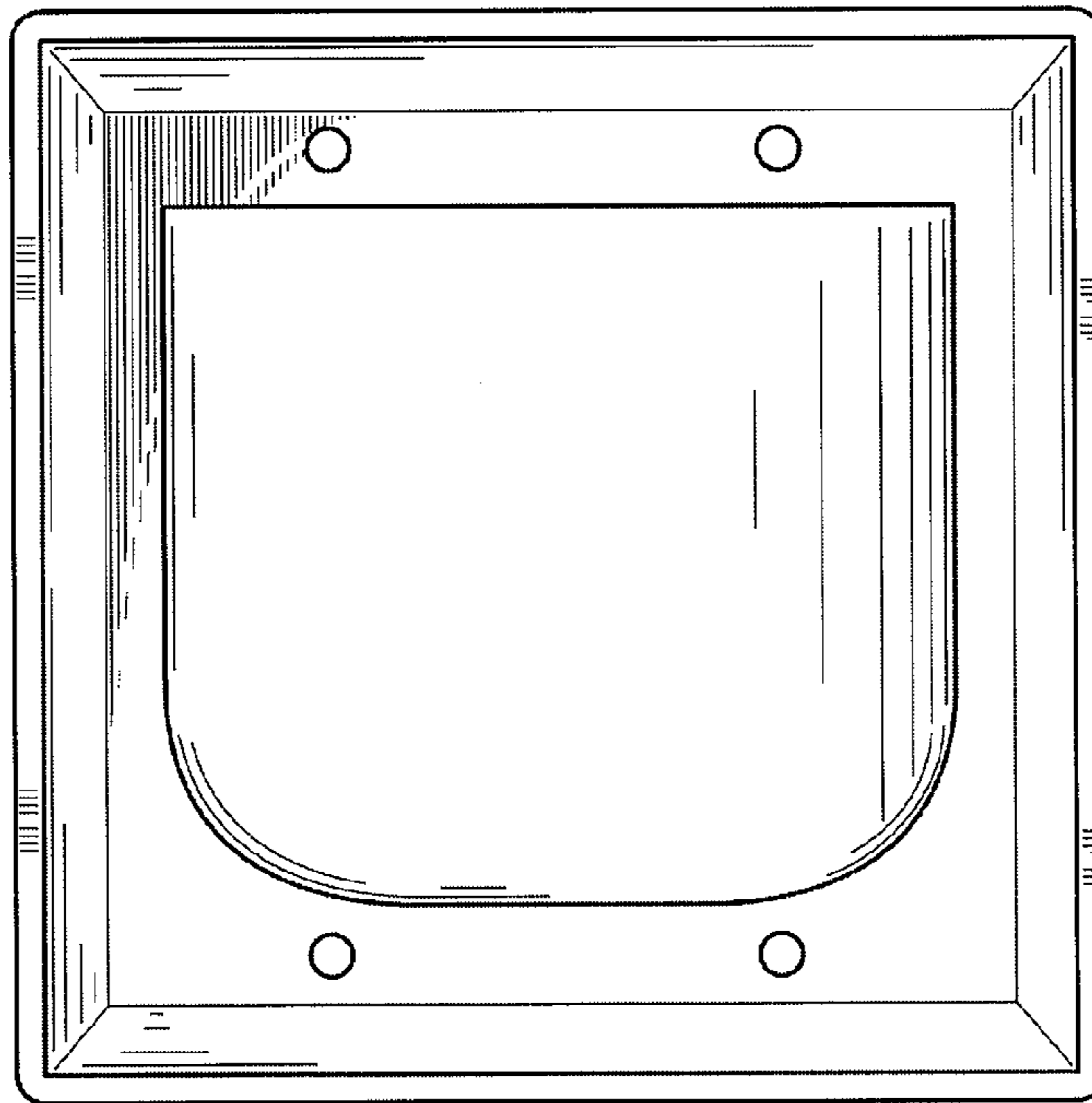


Fig. 12



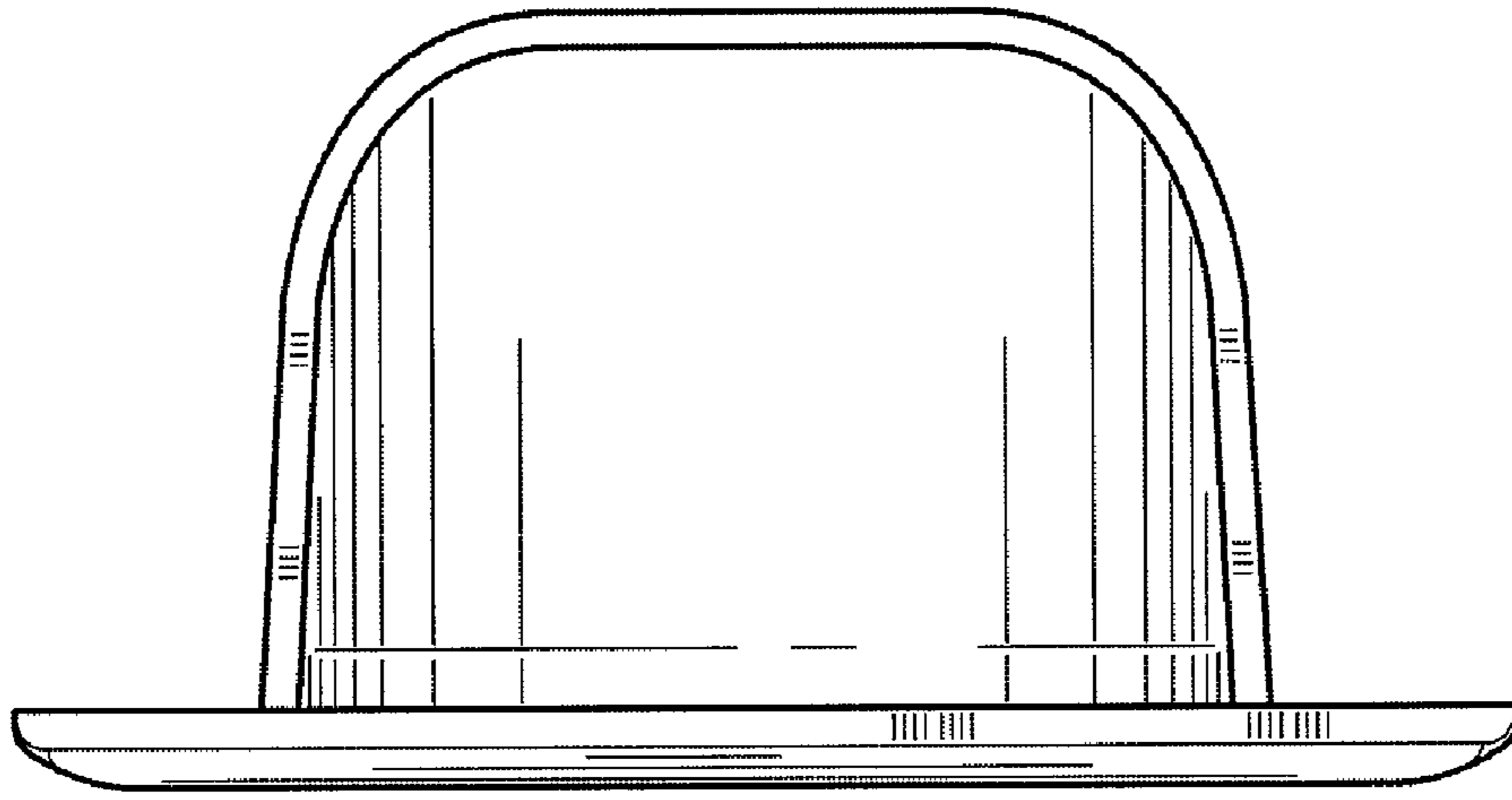


Fig. 13

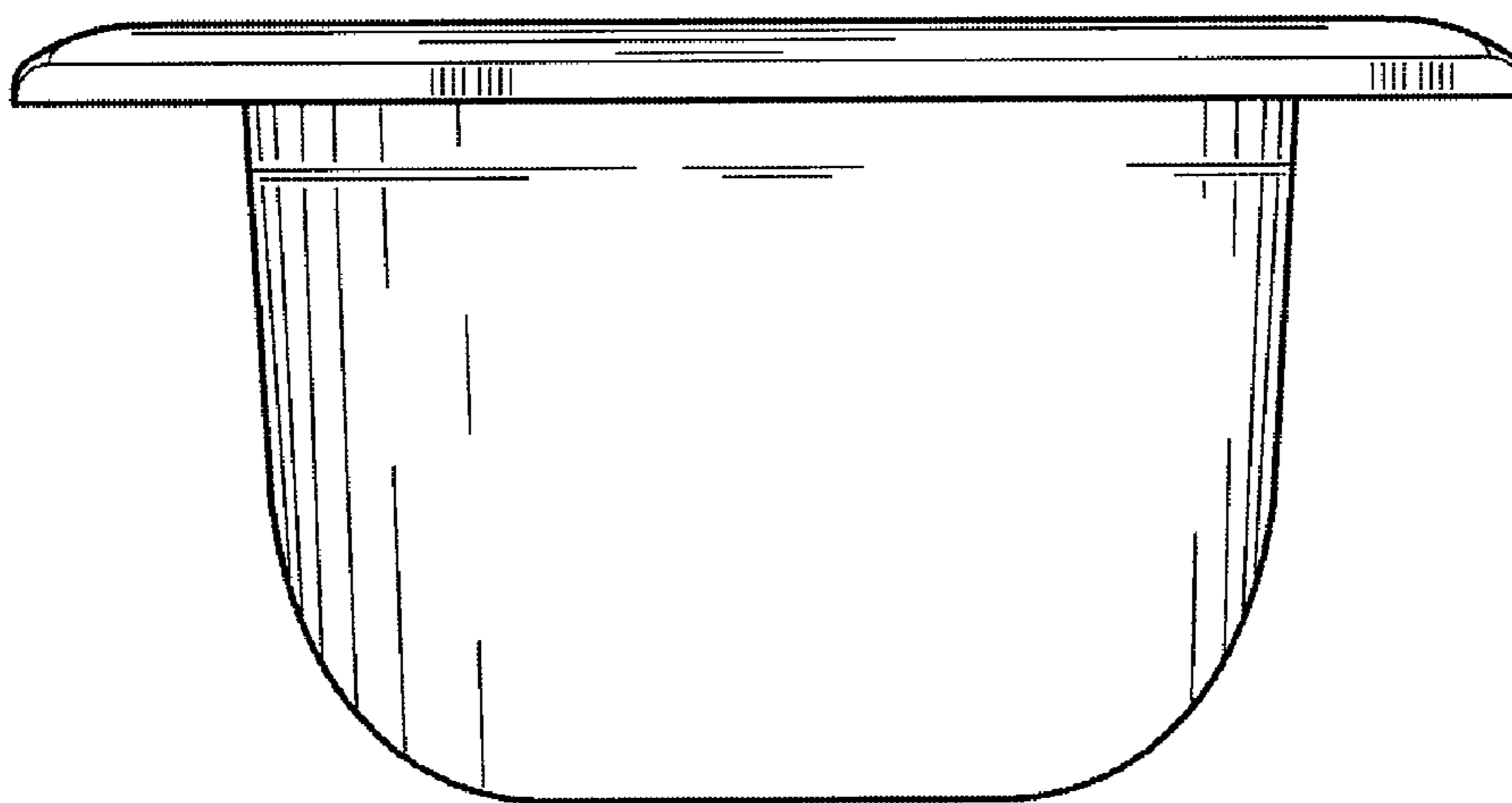


Fig. 14