



US00D554472S

(12) **United States Design Patent**  
**Freeman**

(10) **Patent No.:** **US D554,472 S**

(45) **Date of Patent:** **\*\* Nov. 6, 2007**

(54) **SECURITY ROD**

(76) **Inventor:** **Ann Freeman**, 272 Blackshear Ave.,  
Los Angeles, CA (US) 90022

(\*\*) **Term:** **14 Years**

(21) **Appl. No.:** **29/266,596**

(22) **Filed:** **Sep. 25, 2006**

(51) **LOC (8) Cl.** ..... **08-07**

(52) **U.S. Cl.** ..... **D8/339**

(58) **Field of Classification Search** ..... D8/330-348,  
D8/402; 292/289, 292, 300, 338, 339, 262,  
292/288; 70/14, 57, 77, 89, 91, 95-100  
See application file for complete search history.

(56) **References Cited**

**U.S. PATENT DOCUMENTS**

2,912,268	A *	11/1959	Markovich	.....	292/262
D214,870	S *	8/1969	Malone	.....	D8/339
3,615,114	A *	10/1971	Harris	.....	292/288
3,797,005	A	3/1974	Schwarz		
3,825,290	A *	7/1974	Messina et al.	.....	292/262
D236,082	S *	7/1975	Williams et al.	.....	D8/339
4,193,067	A	3/1980	Hawkins		

4,971,374	A	11/1990	Lovell et al.		
D365,514	S *	12/1995	Borel	.....	D8/402
D388,686	S *	1/1998	Goodwin et al.	.....	D8/331
D504,301	S *	4/2005	Wood	.....	D8/339
D504,302	S *	4/2005	Wood	.....	D8/339

\* cited by examiner

*Primary Examiner*—Mitchell Siegel

(57) **CLAIM**

The ornamental design for a security rod, as shown and described.

**DESCRIPTION**

FIG. 1 is a perspective view of the present invention positioned below a window sill of a security rod showing my new design;

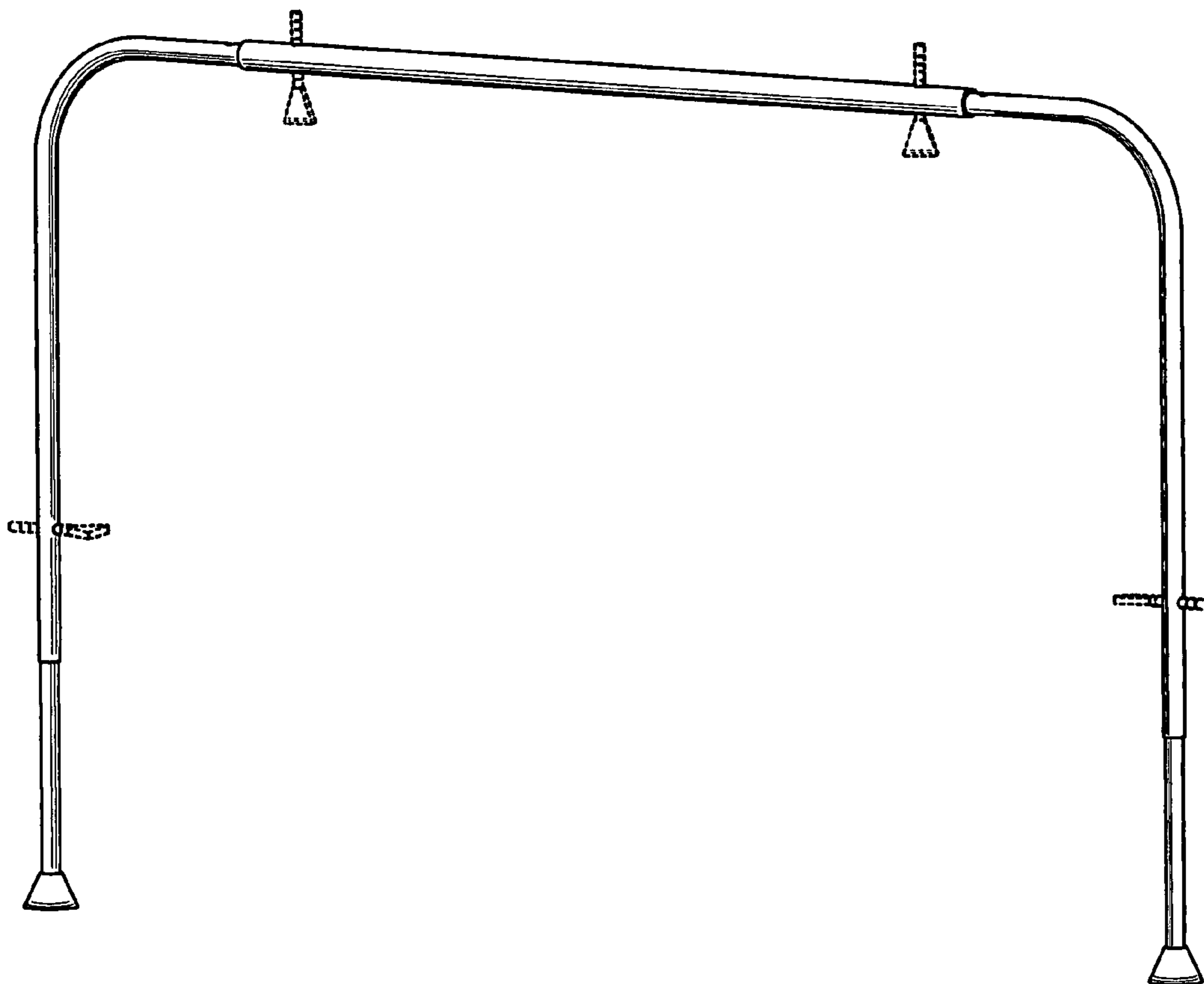
FIG. 2 is a perspective view thereof;

FIG. 3 is a top plan view thereof; and,

FIG. 4 is a front elevational thereof.

The broken line showing is included for the purpose of illustrating and forms no part of the claimed design.

**1 Claim, 3 Drawing Sheets**



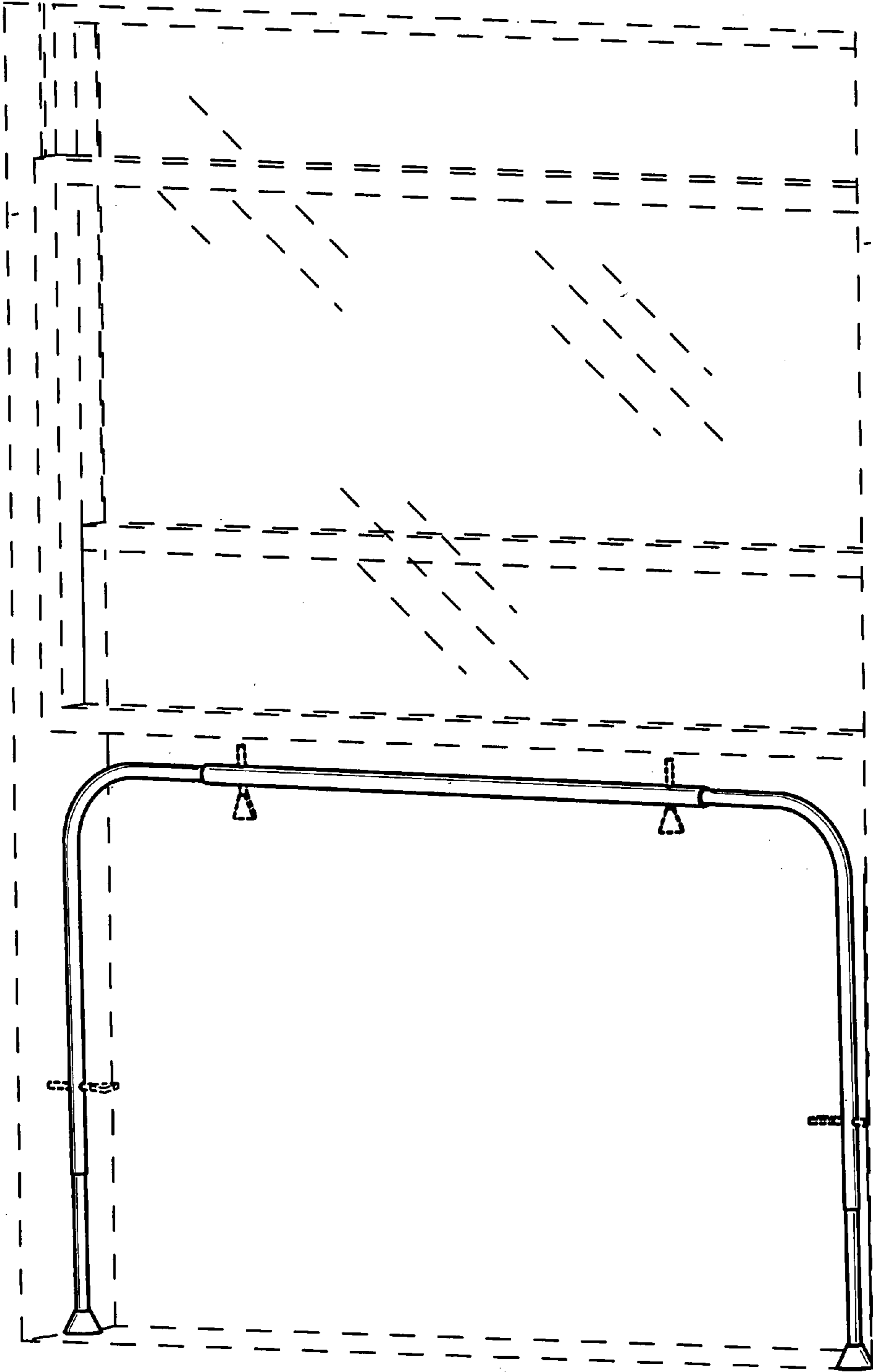


FIG. 1

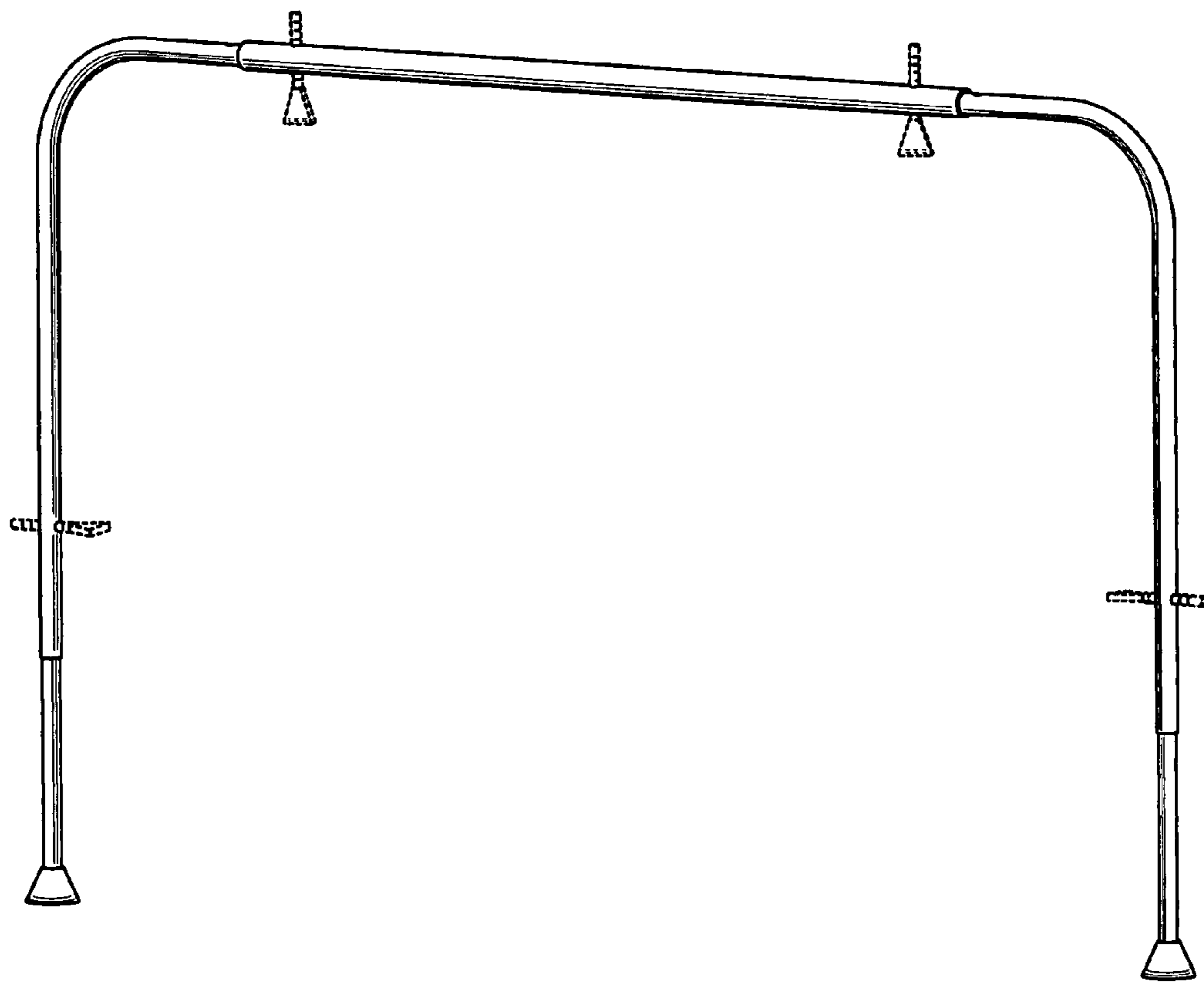


FIG. 2

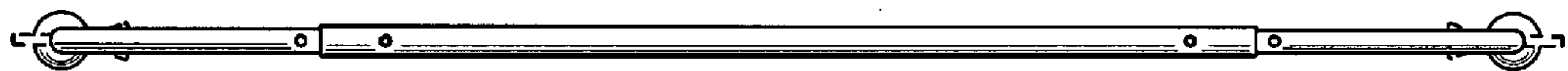


FIG. 3

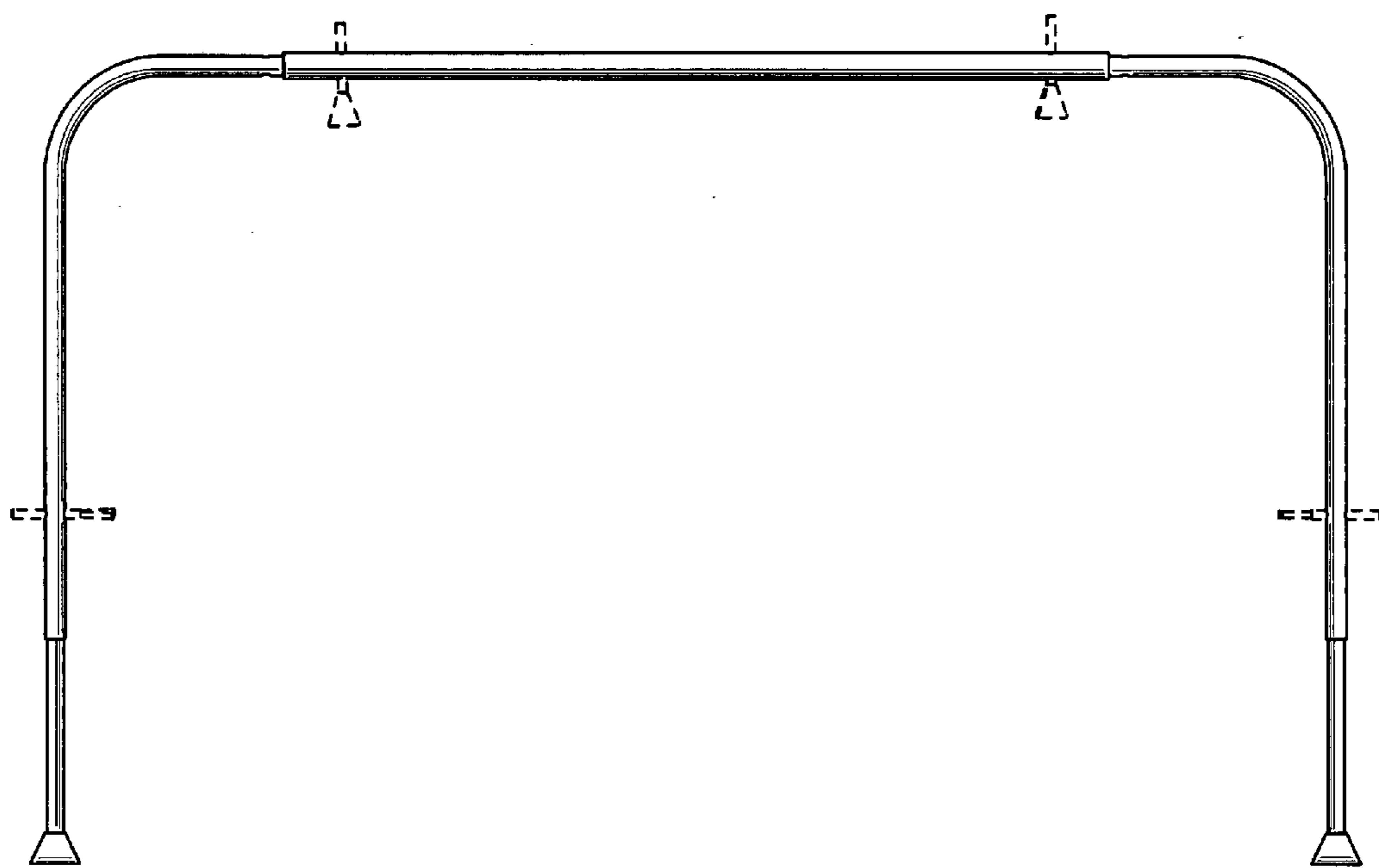


FIG. 4