



US00D554470S

(12) **United States Design Patent**
Forgeon

(10) **Patent No.:** **US D554,470 S**

(45) **Date of Patent:** **** Nov. 6, 2007**

(54) **LATCH**

(76) **Inventor:** **Randy Forgeon**, 4141 Black Oak Dr.,
P.O. Box 4401, Hailey, ID (US) 83333

(**) **Term:** **14 Years**

(21) **Appl. No.:** **29/248,858**

(22) **Filed:** **Sep. 8, 2006**

(51) **LOC (8) Cl.** **08-07**

(52) **U.S. Cl.** **D8/331**

(58) **Field of Classification Search** D8/330-348,
D8/308; 292/33, 143, 200, 217, 236, 241,
292/DIG. 7, DIG. 20, DIG. 31, DIG. 33,
292/223, 92, 341.15; 70/94-100, 57, 91,
70/207-209, 221, 89, 215, 129

See application file for complete search history.

(56) **References Cited**

U.S. PATENT DOCUMENTS

- 4,280,725 A * 7/1981 Berkowitz et al. 292/223
- 4,530,532 A * 7/1985 Fujiya 292/341.15
- 4,635,977 A * 1/1987 Yamada 292/92
- 4,704,882 A * 11/1987 Takasaki 70/215

- D338,389 S * 8/1993 Finkelstein et al. D8/331
- D391,141 S * 2/1998 Finkelstein et al. D8/331
- D414,397 S * 9/1999 Finkelstein et al. D8/331
- D435,429 S * 12/2000 Barnett et al. D8/338
- 6,526,788 B2 * 3/2003 Finkelstein et al. 70/129

* cited by examiner

Primary Examiner—Mitchell Siegel

(74) *Attorney, Agent, or Firm*—Robert L. Shaver; Dykas,
Shaver & Nipper, LLP

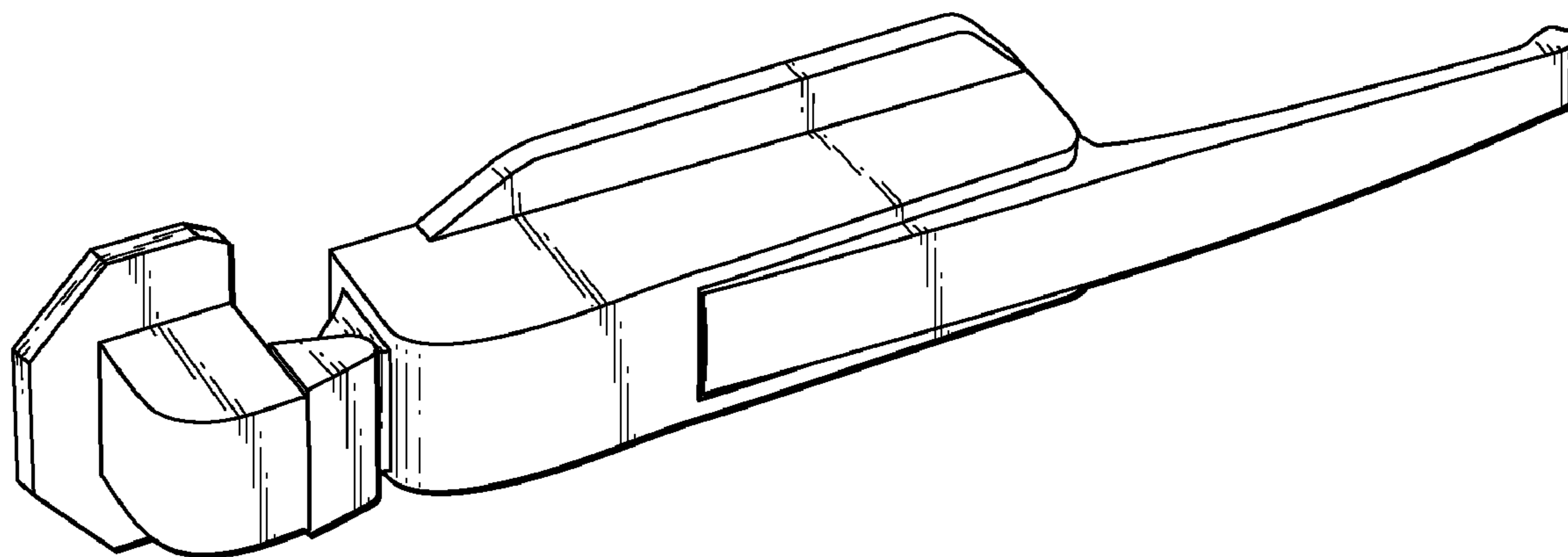
(57) **CLAIM**

The ornamental design for a latch, as shown and described.

DESCRIPTION

FIG. 1 is a top plan view of a latch showing my new design;
 FIG. 2 is a front view thereof;
 FIG. 3 is a right end view thereof;
 FIG. 4 is a left end view thereof;
 FIG. 5 is a rear view thereof; and,
 FIG. 6 is a perspective view thereof.

1 Claim, 2 Drawing Sheets



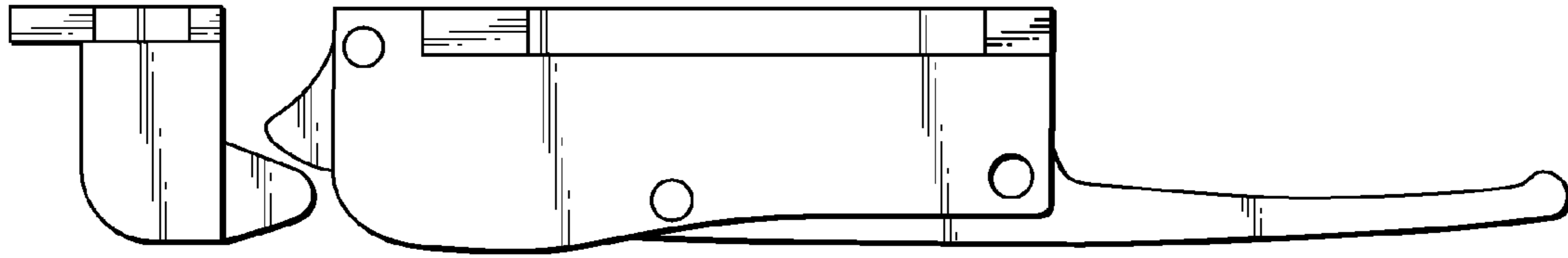


Fig. 1

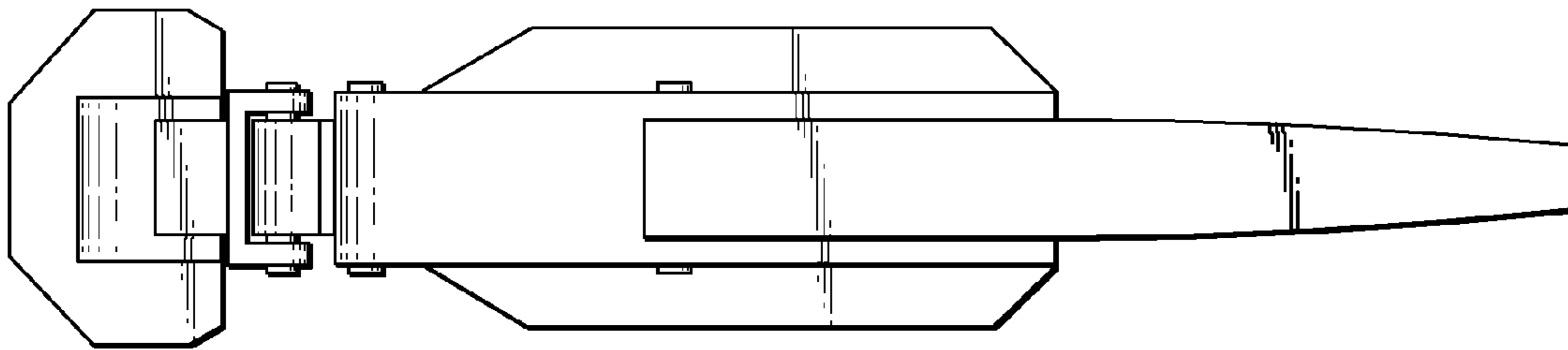


Fig. 2

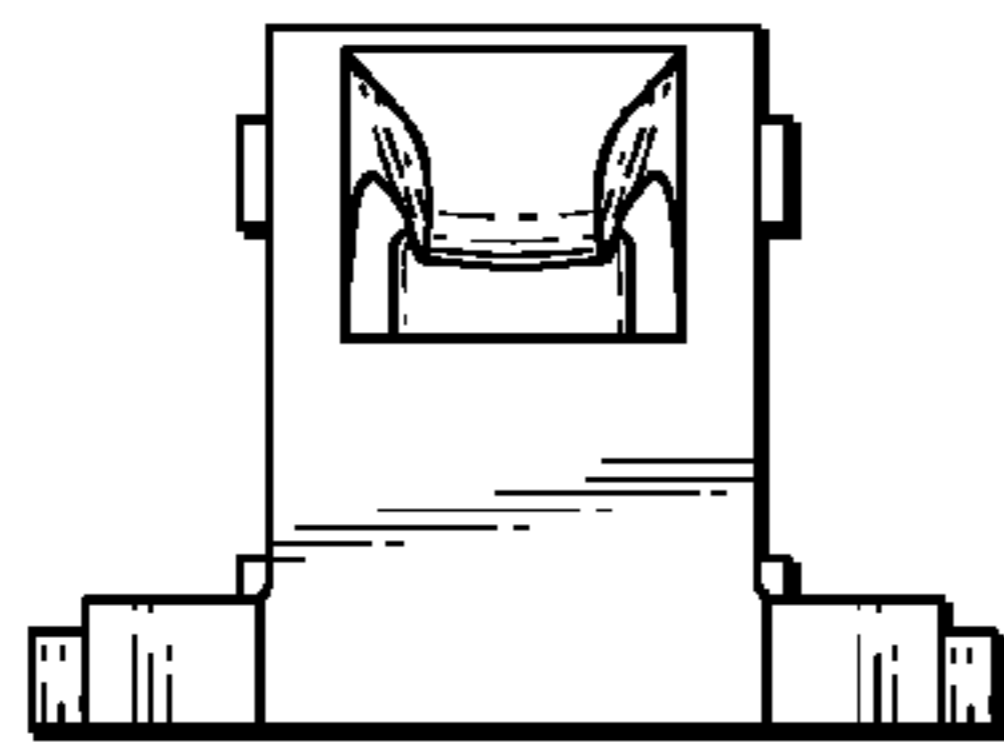


Fig. 3

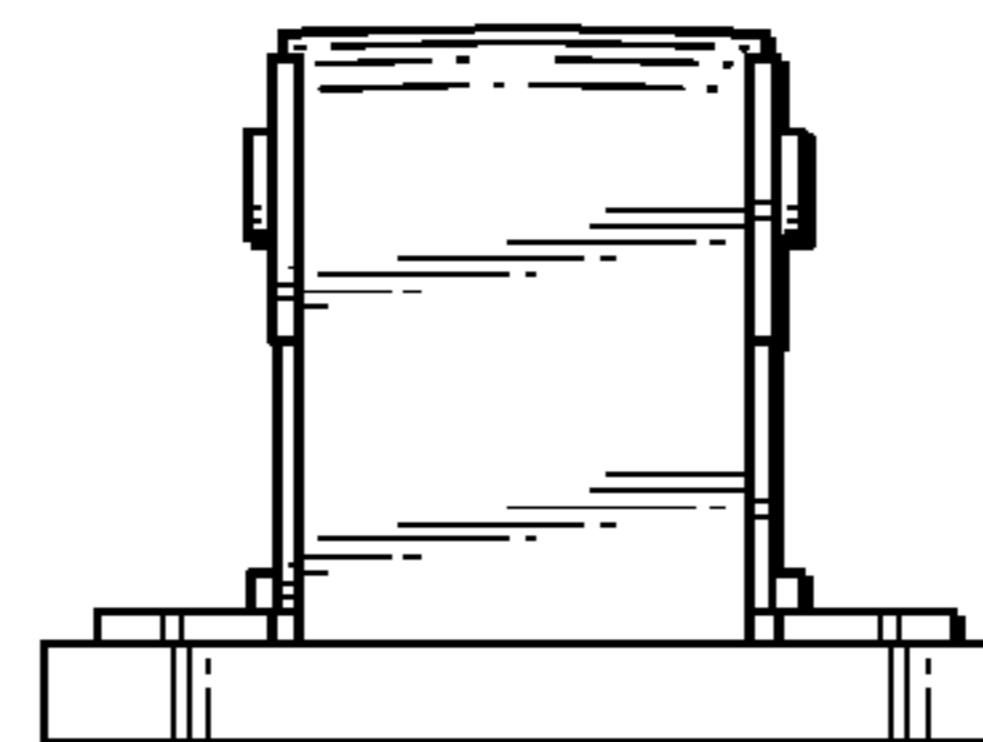


Fig. 4

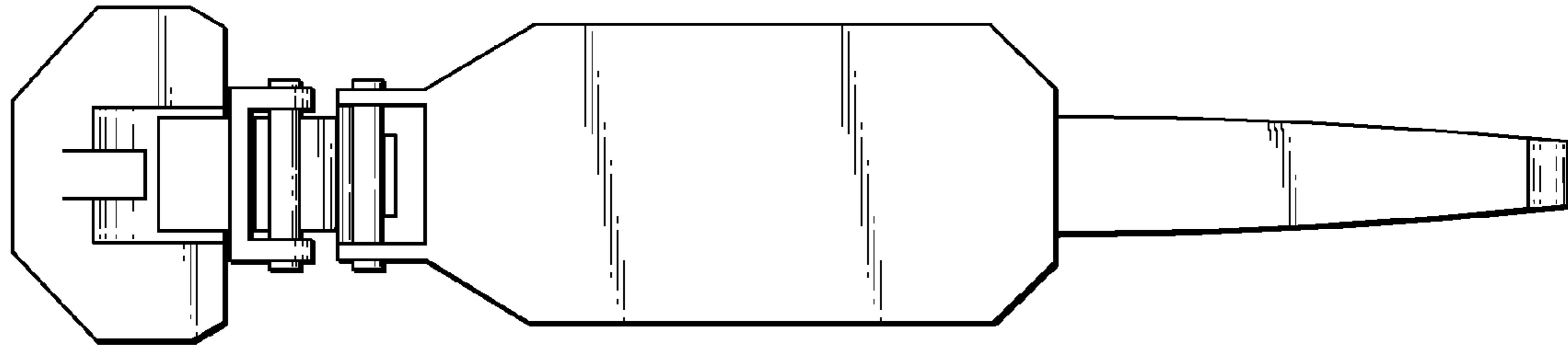


Fig. 5

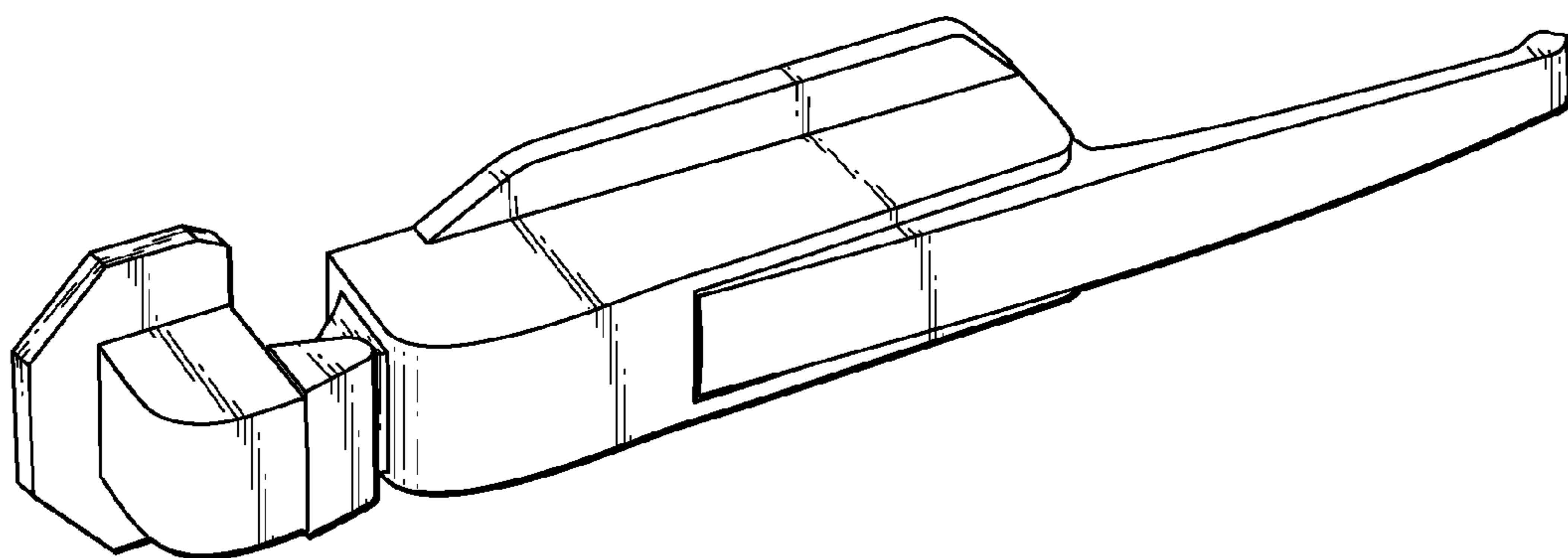


Fig. 6