

US00D554467S

(12) **United States Design Patent**
Hsui et al.

(10) **Patent No.:** **US D554,467 S**

(45) **Date of Patent:** **** Nov. 6, 2007**

(54) **HANDLE**

(75) Inventors: **Ken Hsui**, Taichung (TW); **Aaron Chu**,
Taichung (TW)

(73) Assignee: **Globe Union Industrial Corp.**,
Taichung (TW)

(**) Term: **14 Years**

(21) Appl. No.: **29/247,921**

(22) Filed: **Jul. 20, 2006**

(51) **LOC (8) Cl.** **08-06**

(52) **U.S. Cl.** **D8/308**

(58) **Field of Classification Search** D8/300,
D8/307-308, 310, 316, 319-320, DIG. 10;
4/675-678; D23/250-257; 292/347, 356,
292/357; 16/110.1; 74/519, 543
See application file for complete search history.

(56) **References Cited**

U.S. PATENT DOCUMENTS

- D290,496 S * 6/1987 Ryan D23/252
- D365,384 S * 12/1995 Robbins D23/252
- D407,143 S * 3/1999 Hyde et al. D23/252
- D460,807 S * 7/2002 Singtoroj D23/252

- D475,767 S * 6/2003 Yegyayan et al. D23/252
- D477,860 S * 7/2003 Singtoroj D23/252
- D495,402 S * 8/2004 Spiegelberg et al. D23/252
- D517,174 S * 3/2006 Singtoroj D23/252
- D522,839 S * 6/2006 Hu D8/308
- D541,620 S * 5/2007 Roberts, III D8/308

* cited by examiner

Primary Examiner—Paula A. Greene

(74) *Attorney, Agent, or Firm*—Leong C. Lei

(57) **CLAIM**

The ornamental design for a handle, as shown and described.

DESCRIPTION

FIG. 1 is a perspective view of a handle showing my new design;

FIG. 2 is a front elevational view thereof;

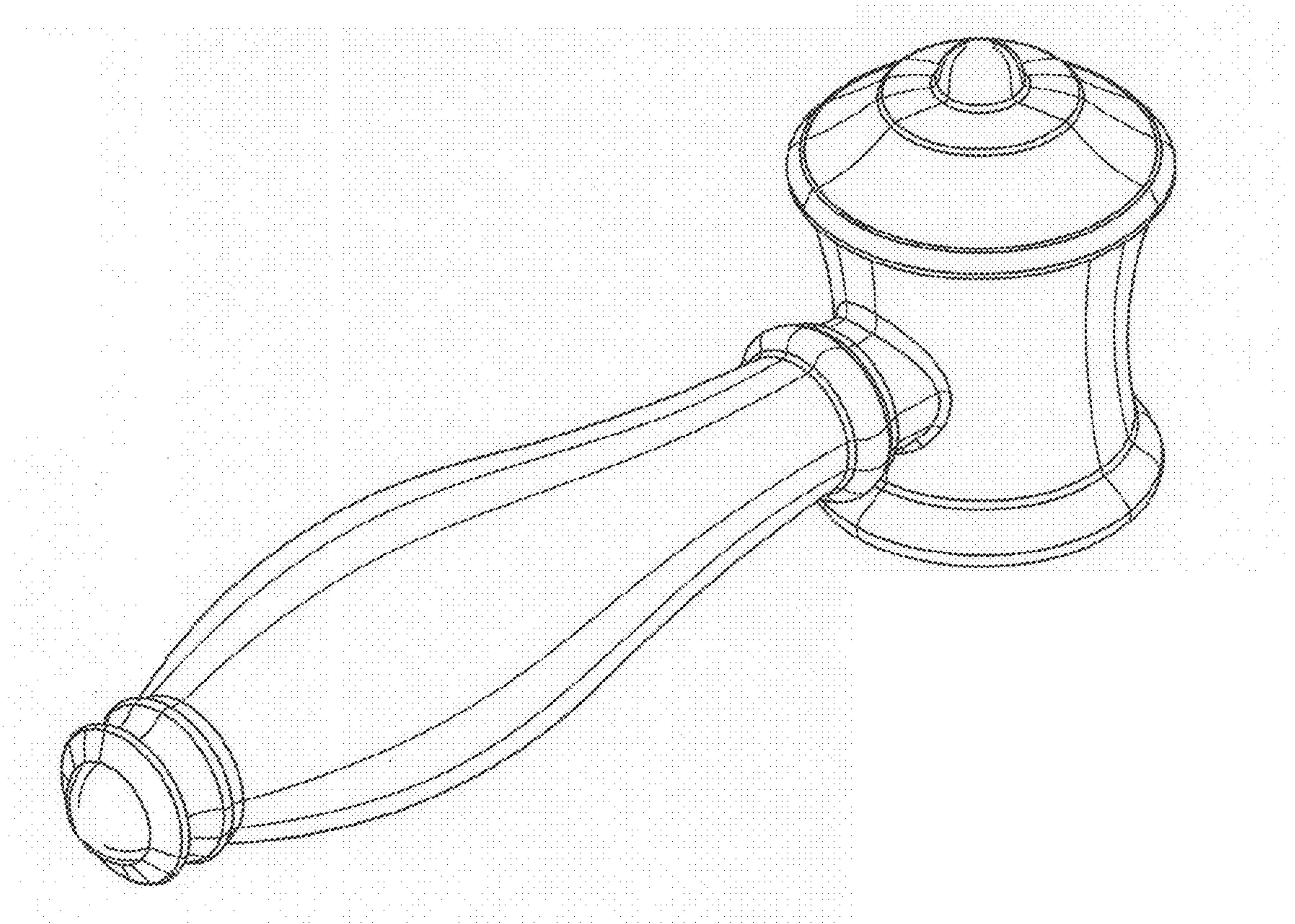
FIG. 3 is a rear elevational view thereof;

FIG. 4 is a left side elevational view thereof;

FIG. 5 is a right side elevational view thereof; and,

FIG. 6 is a top plan view thereof, the undisclosed bottom is not part of the claimed design.

1 Claim, 4 Drawing Sheets



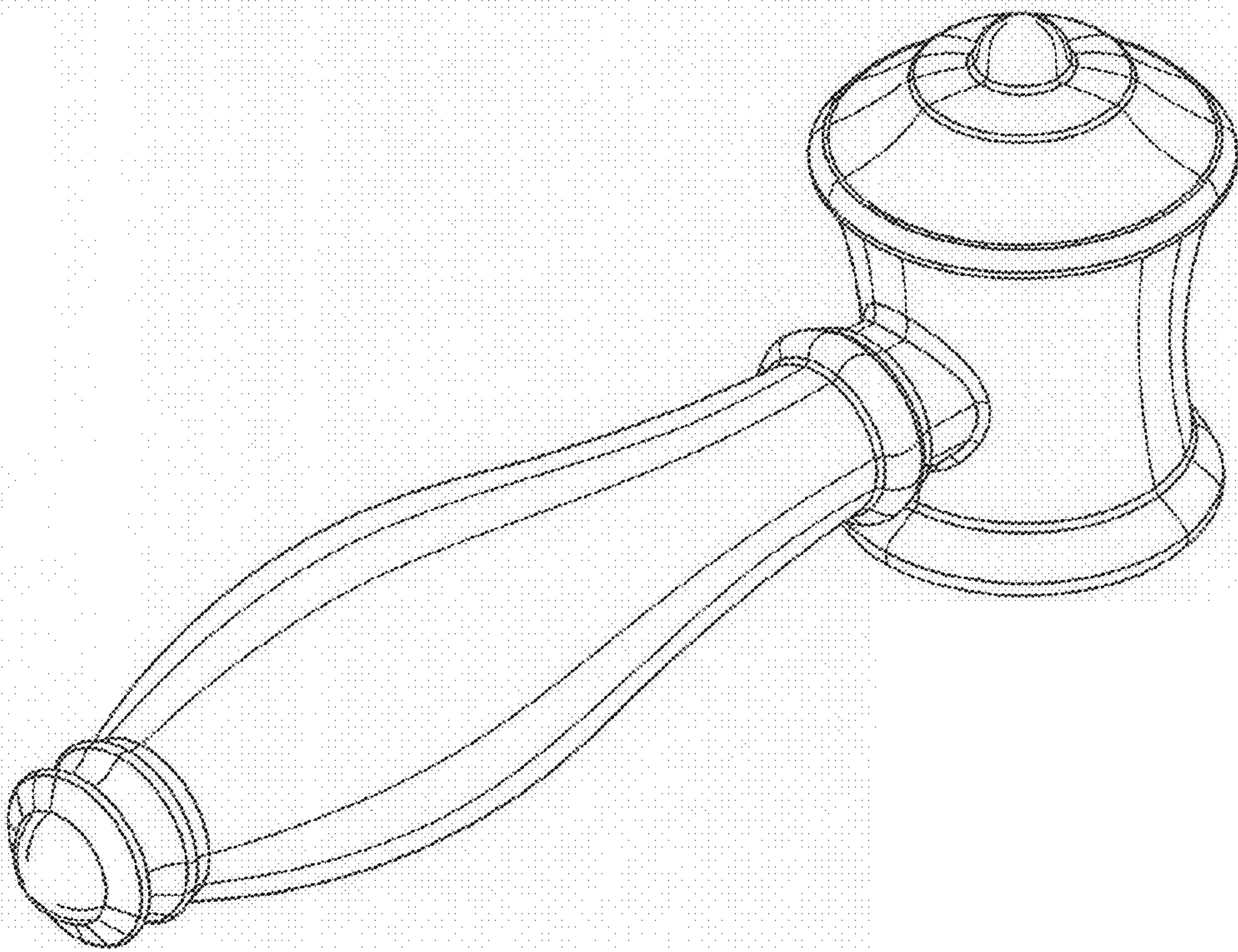


FIG. 1

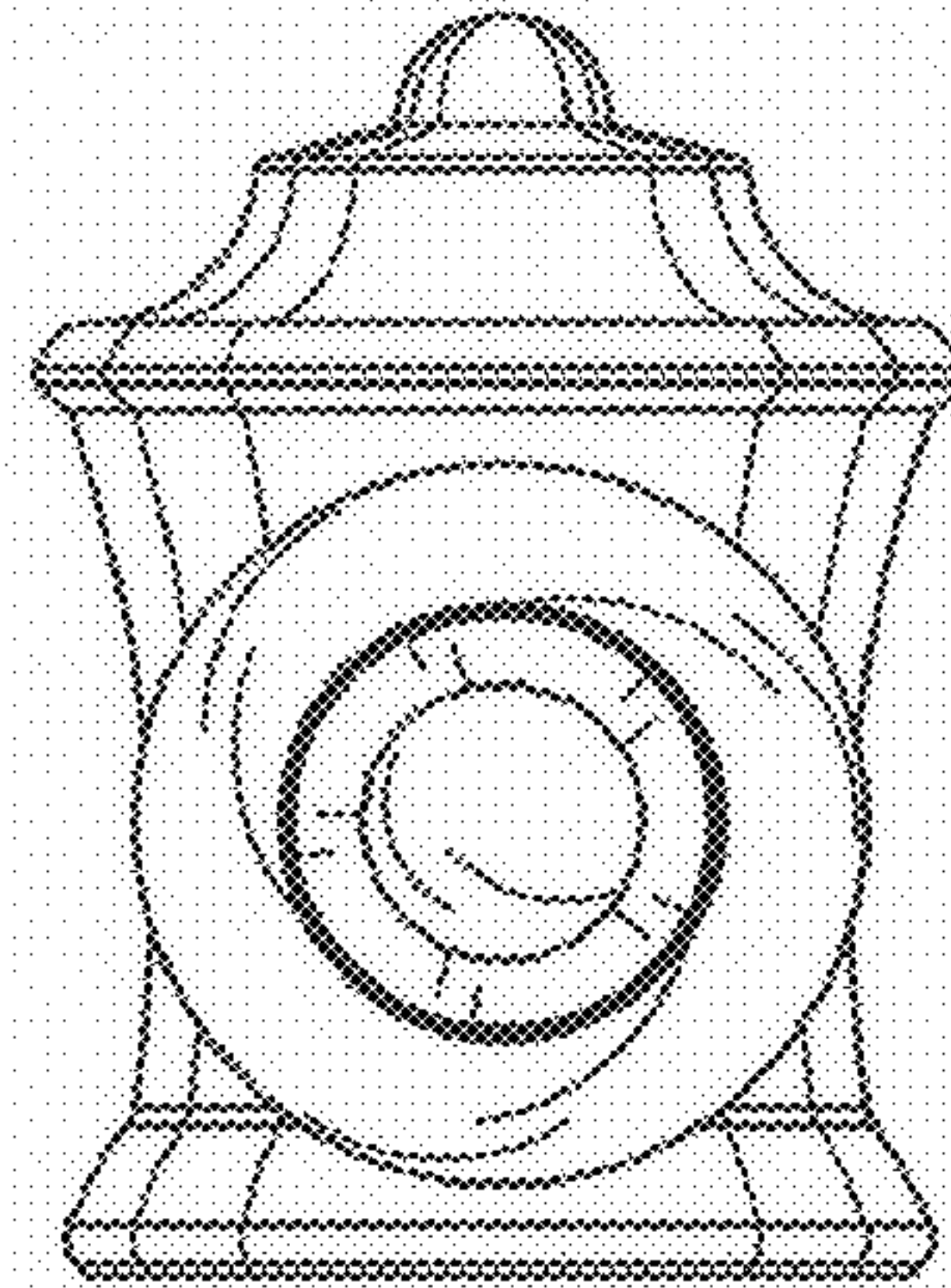


FIG. 2

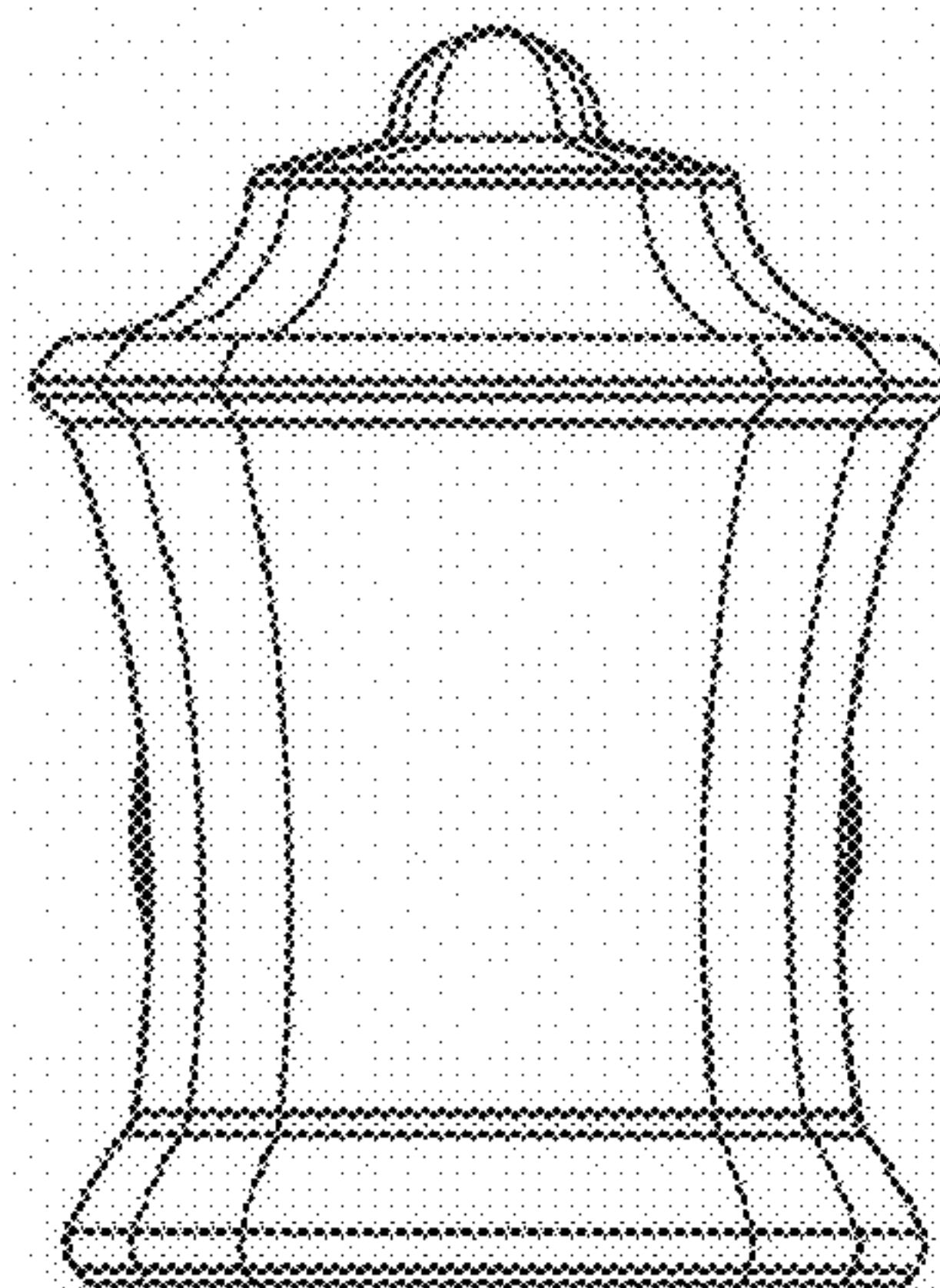


FIG. 3

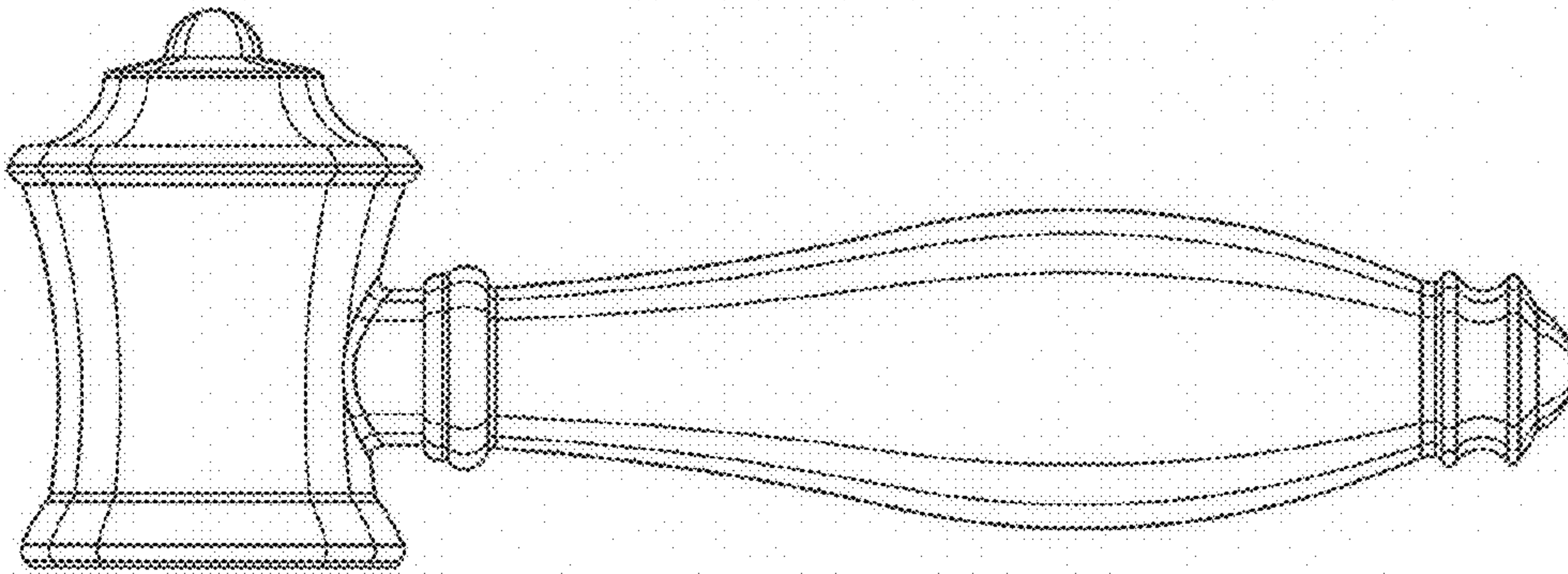


FIG. 4

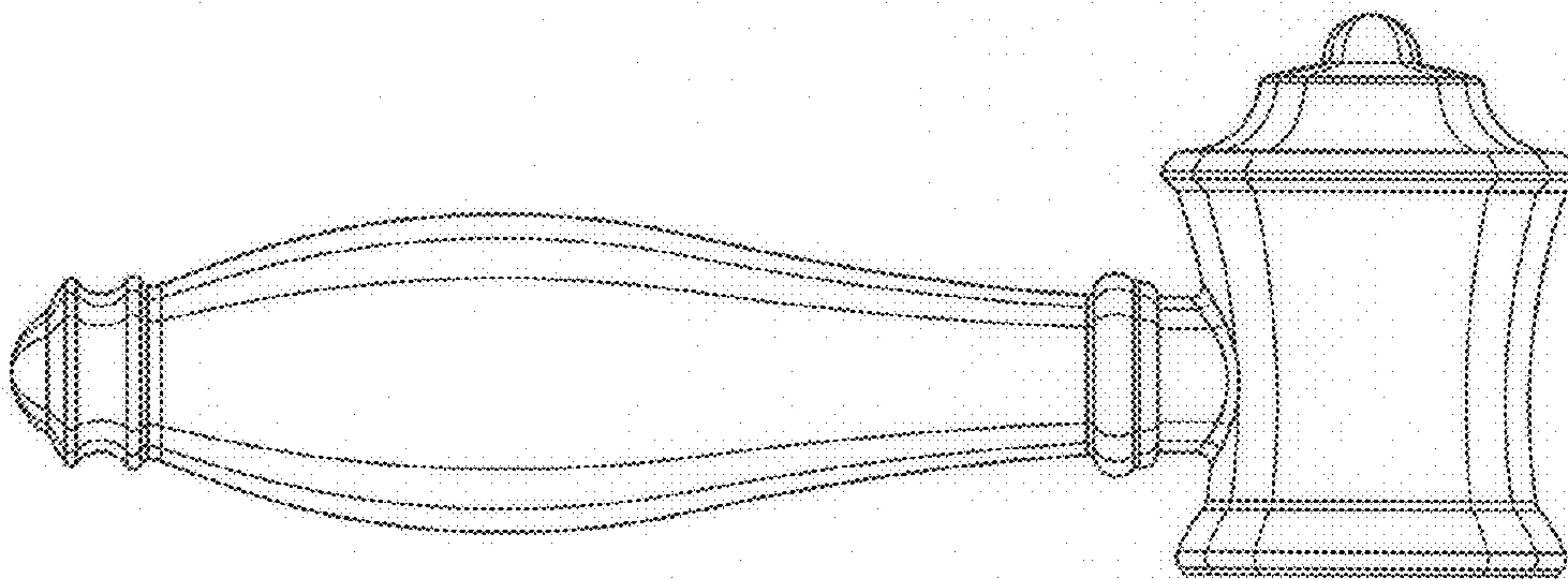


FIG. 5

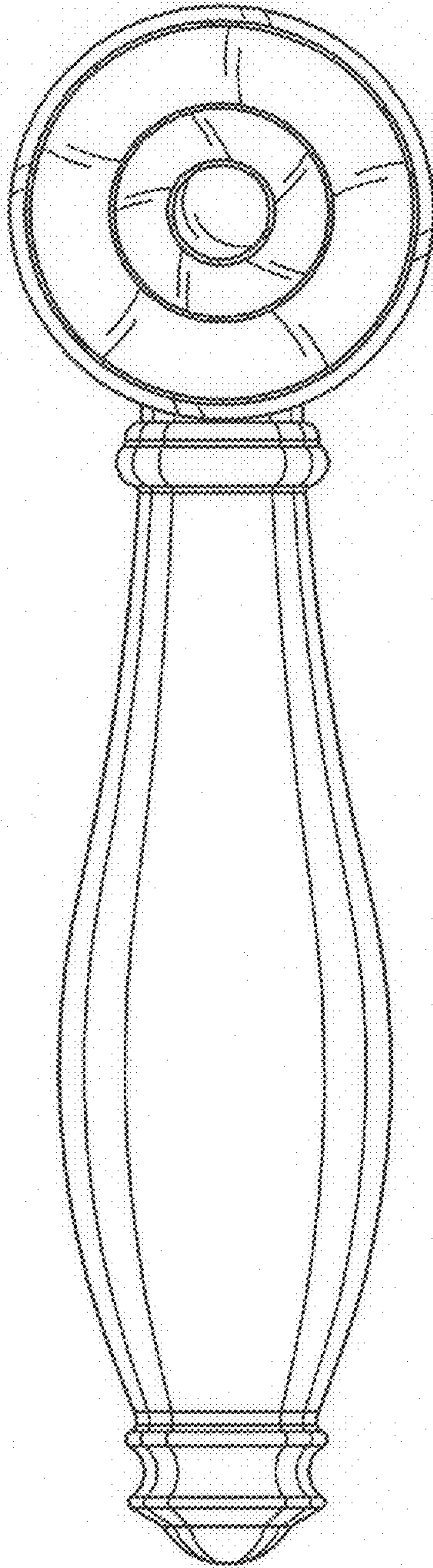


FIG. 6