



US00D554465S

(12) **United States Design Patent**  
**Laurienzo et al.**

(10) **Patent No.:** **US D554,465 S**  
(45) **Date of Patent:** **\*\* Nov. 6, 2007**

- (54) **MOTOCROSS HANDLE**
- (75) Inventors: **Dominic Laurienzo**, Los Angeles, CA (US); **Brendon Vetuskey**, Van Nuys, CA (US); **Terence Higuchi**, Redondo Beach, CA (US)
- (73) Assignee: **Jakks Pacific, Inc.**, Malibu, CA (US)
- (\*\*) Term: **14 Years**
- (21) Appl. No.: **29/234,270**
- (22) Filed: **Jul. 14, 2005**
- (51) **LOC (8) Cl.** ..... **12-11**
- (52) **U.S. Cl.** ..... **D8/303; D12/179**
- (58) **Field of Classification Search** ..... D12/110, D12/178-180; 74/486-489, 475, 491, 502.2, 74/558, 551.8, 551.9, 473.12, 473.13, 473.14, 74/473.15; 188/24, 24.11, 24.21, 24.22, 188/24.14, 24.15, 344, 359; 16/110.1, 421, 16/430, DIG. 12; D8/303  
See application file for complete search history.

- D320,922 S 10/1991 Lurkis
- D324,478 S 3/1992 Baer
- D324,634 S 3/1992 Chen
- D352,442 S 11/1994 Lee-Chang
- D372,656 S 8/1996 Nagano
- D404,282 S 1/1999 Hsu
- D405,342 S 2/1999 Thompson
- D407,048 S 3/1999 Benktzon et al.
- D409,182 S 5/1999 Tyler
- D411,432 S 6/1999 Stahel
- D413,880 S 9/1999 Barnes et al.
- D422,194 S 4/2000 Knodt et al.
- D428,012 S 7/2000 Cavacuiti et al.
- D429,990 S 8/2000 Kunkler
- D461,390 S 8/2002 Livingston
- D463,501 S 9/2002 Isetani et al.
- D479,239 S 9/2003 Faust et al.
- 6,681,653 B2 1/2004 Yu

\* cited by examiner

*Primary Examiner*—Cathron C. Brooks  
*Assistant Examiner*—Linda Brooks  
(74) *Attorney, Agent, or Firm*—Tope-McKay & Associates

(57) **CLAIM**

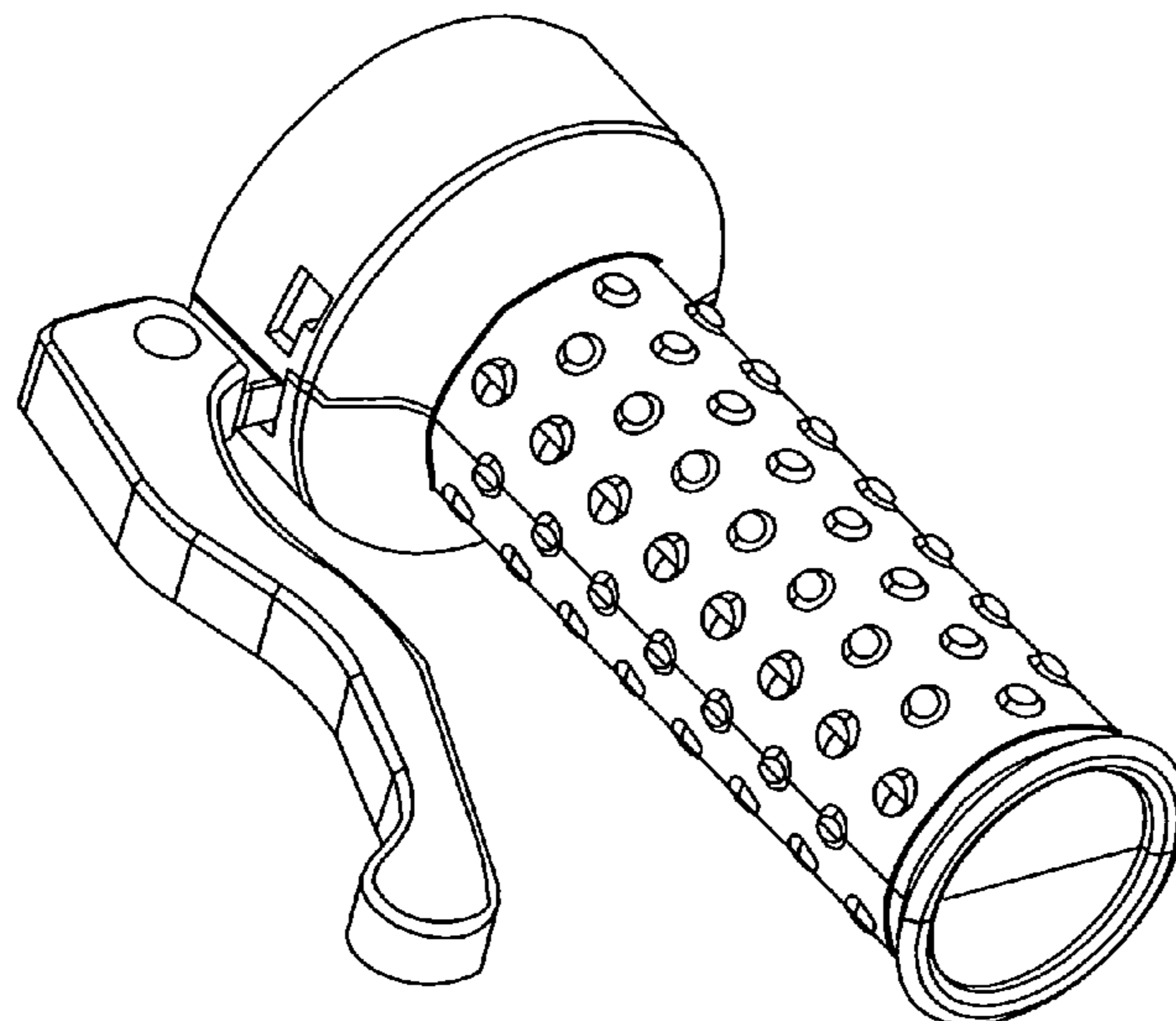
The ornamental design for a motocross handle, as shown.

**DESCRIPTION**

FIG. 1 is a front perspective view of a motocross handle incorporating our new design;  
FIG. 2 is a front orthogonal view thereof;  
FIG. 3 is a back orthogonal view thereof;  
FIG. 4 is a right orthogonal view thereof;  
FIG. 5 is a left orthogonal view thereof;  
FIG. 6 is a top orthogonal view thereof; and,  
FIG. 7 is a bottom orthogonal view thereof.

**1 Claim, 7 Drawing Sheets**

- (56) **References Cited**
- U.S. PATENT DOCUMENTS
- 3,016,763 A \* 1/1962 Albert ..... 74/551.9
- D246,758 S 12/1977 Ukai
- D269,850 S 7/1983 Preisler et al.
- D270,345 S 8/1983 Scherer
- D274,122 S 6/1984 Stahel et al.
- D278,879 S 5/1985 Hwung
- D284,259 S 6/1986 Oury
- D286,034 S \* 10/1986 Giorgetti ..... D12/179
- D287,568 S 1/1987 Hernqvist
- D298,309 S \* 11/1988 Coue ..... D12/179
- D298,319 S 11/1988 Coue
- 4,895,044 A \* 1/1990 Ekins ..... 74/551.9
- D311,676 S 10/1990 Neal
- D320,125 S 9/1991 Hacker



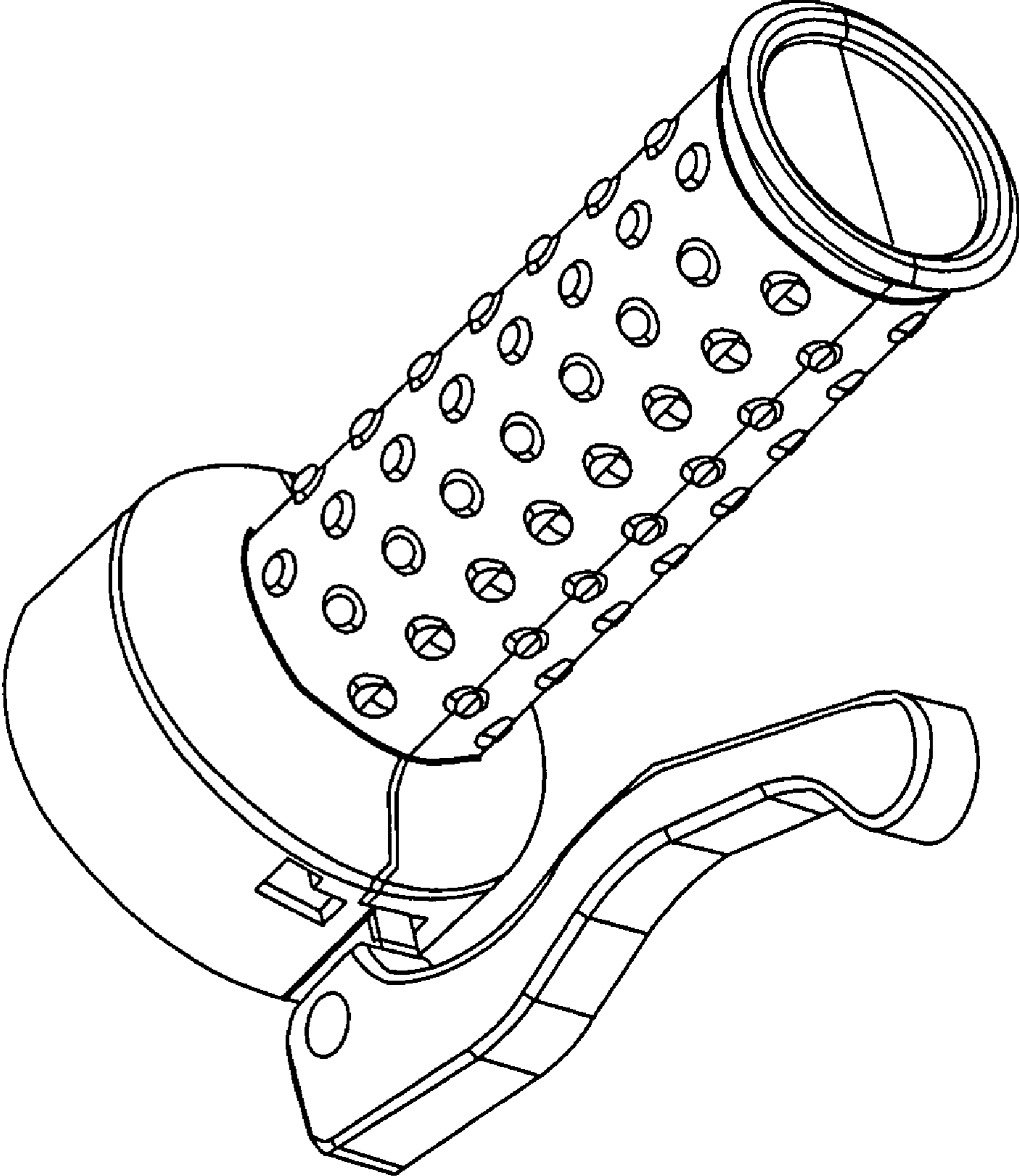


FIG. 1

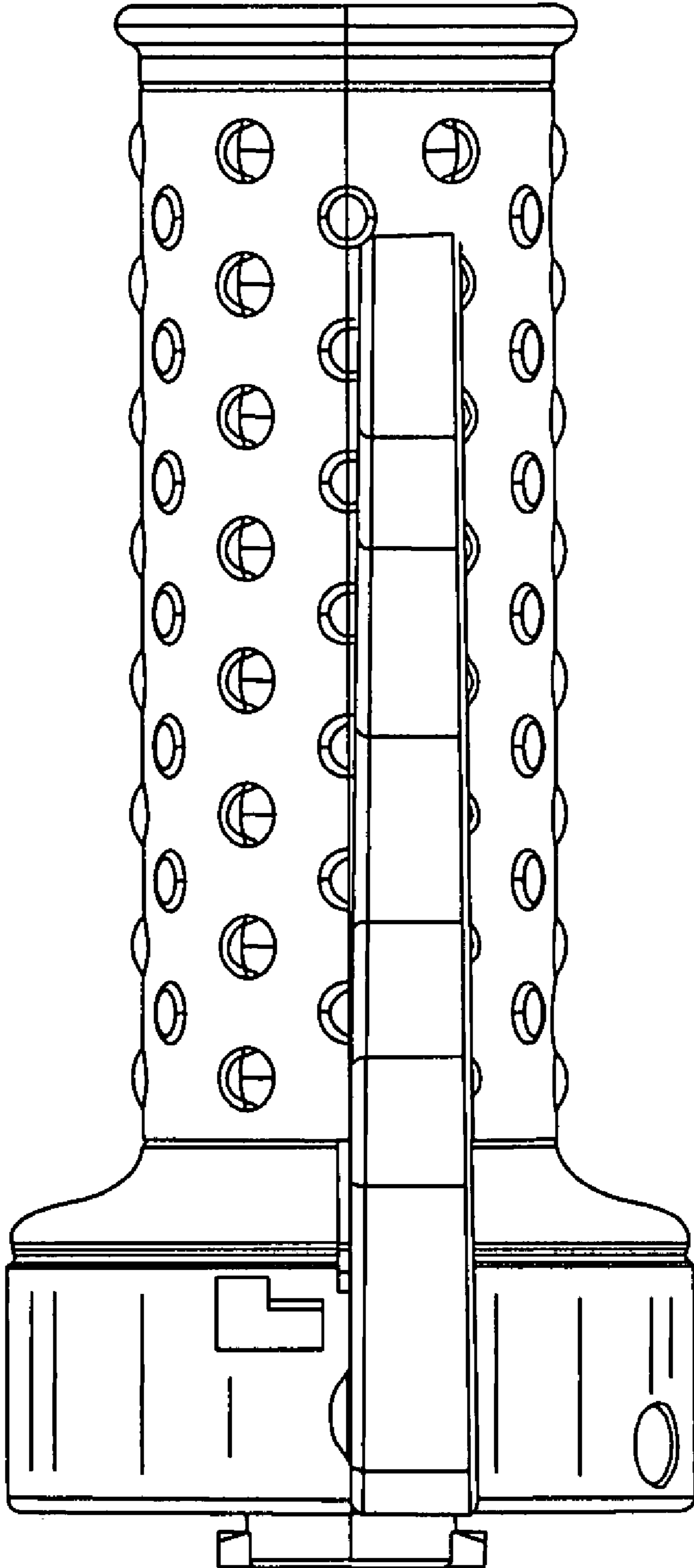


FIG. 2

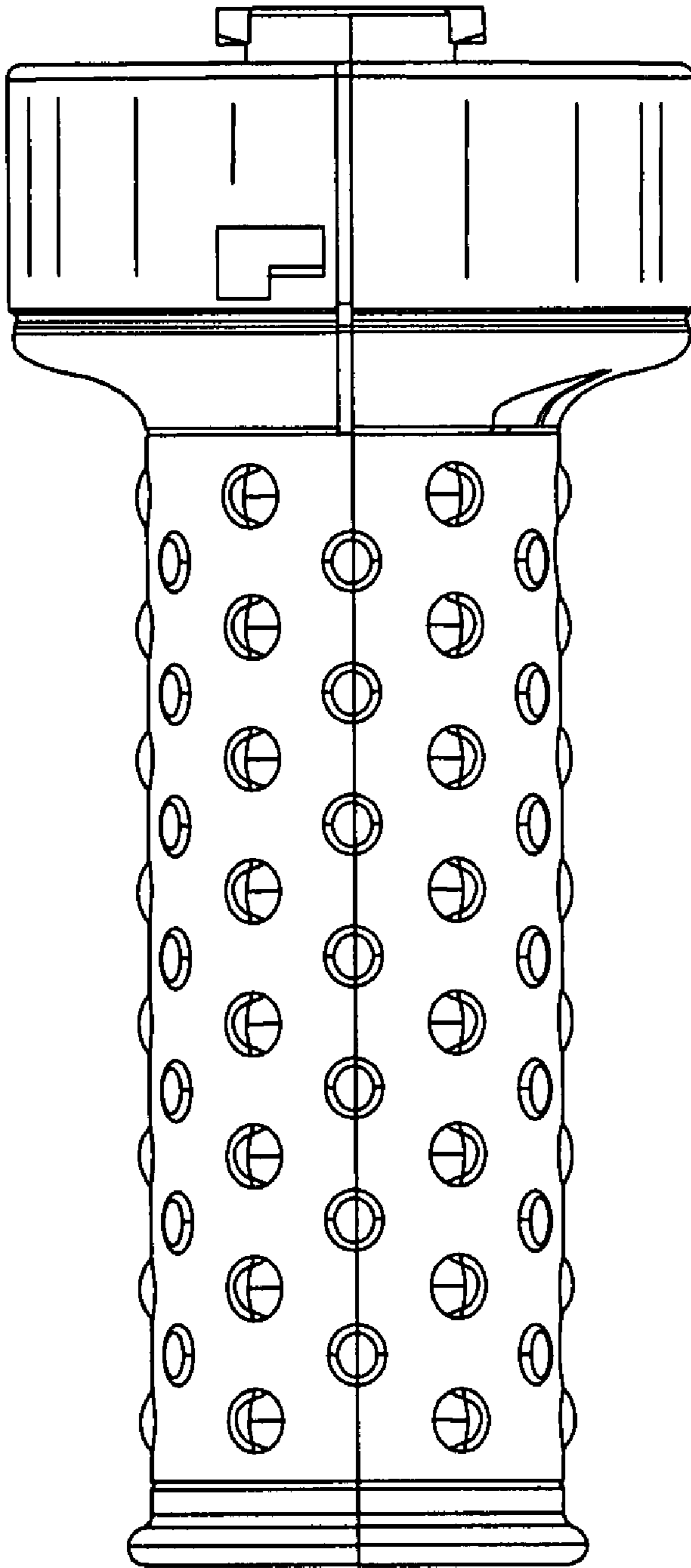


FIG. 3

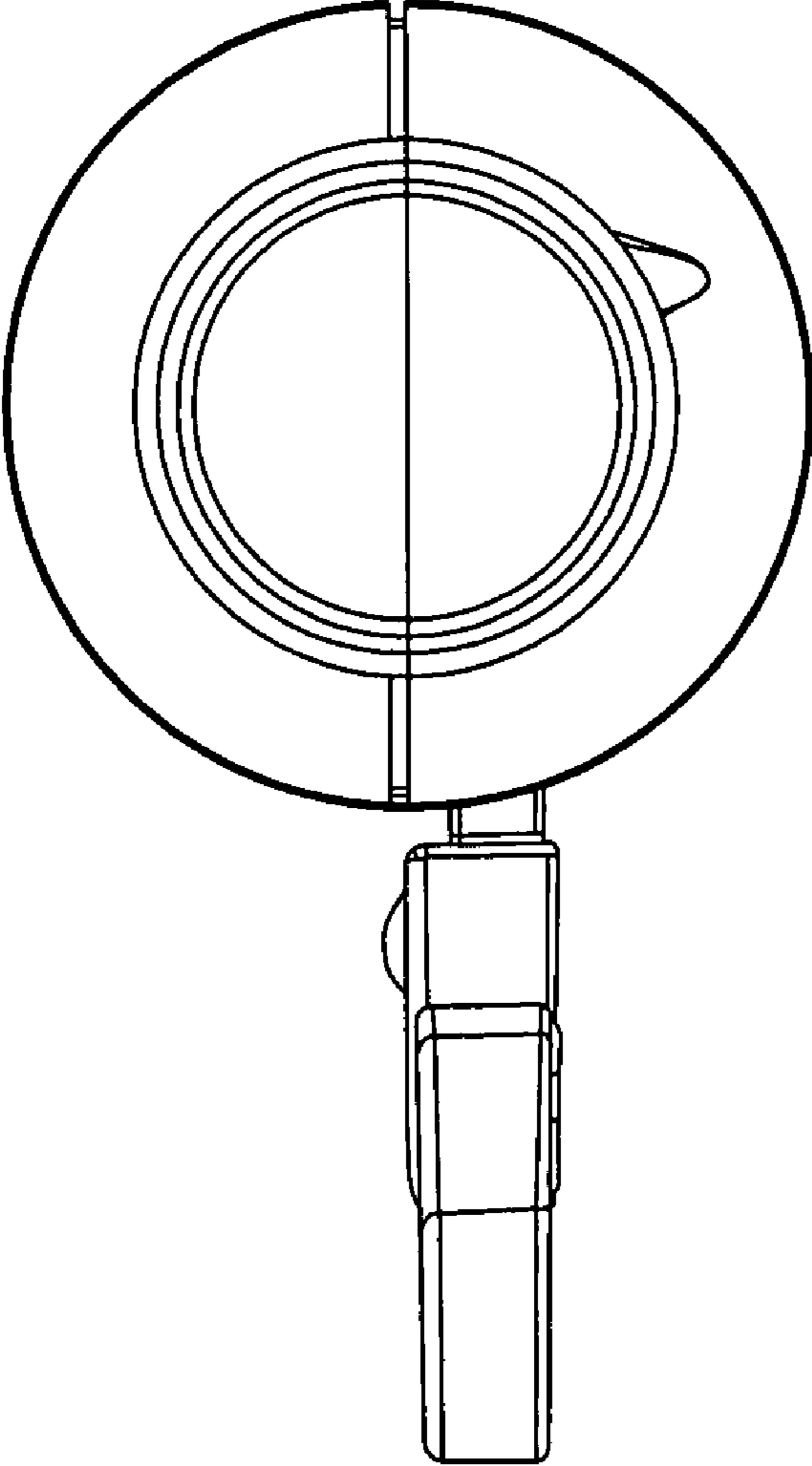


FIG. 4

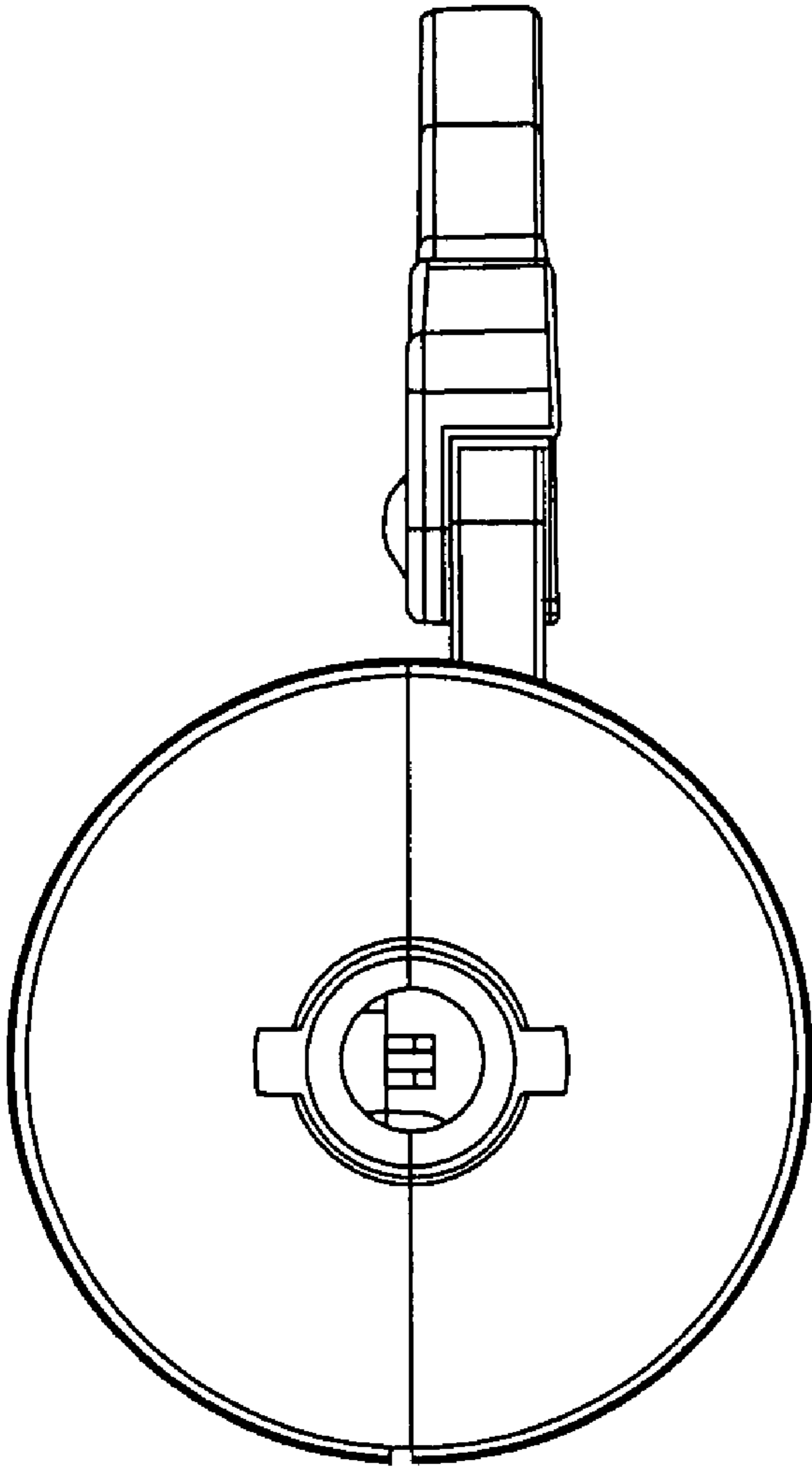


FIG. 5

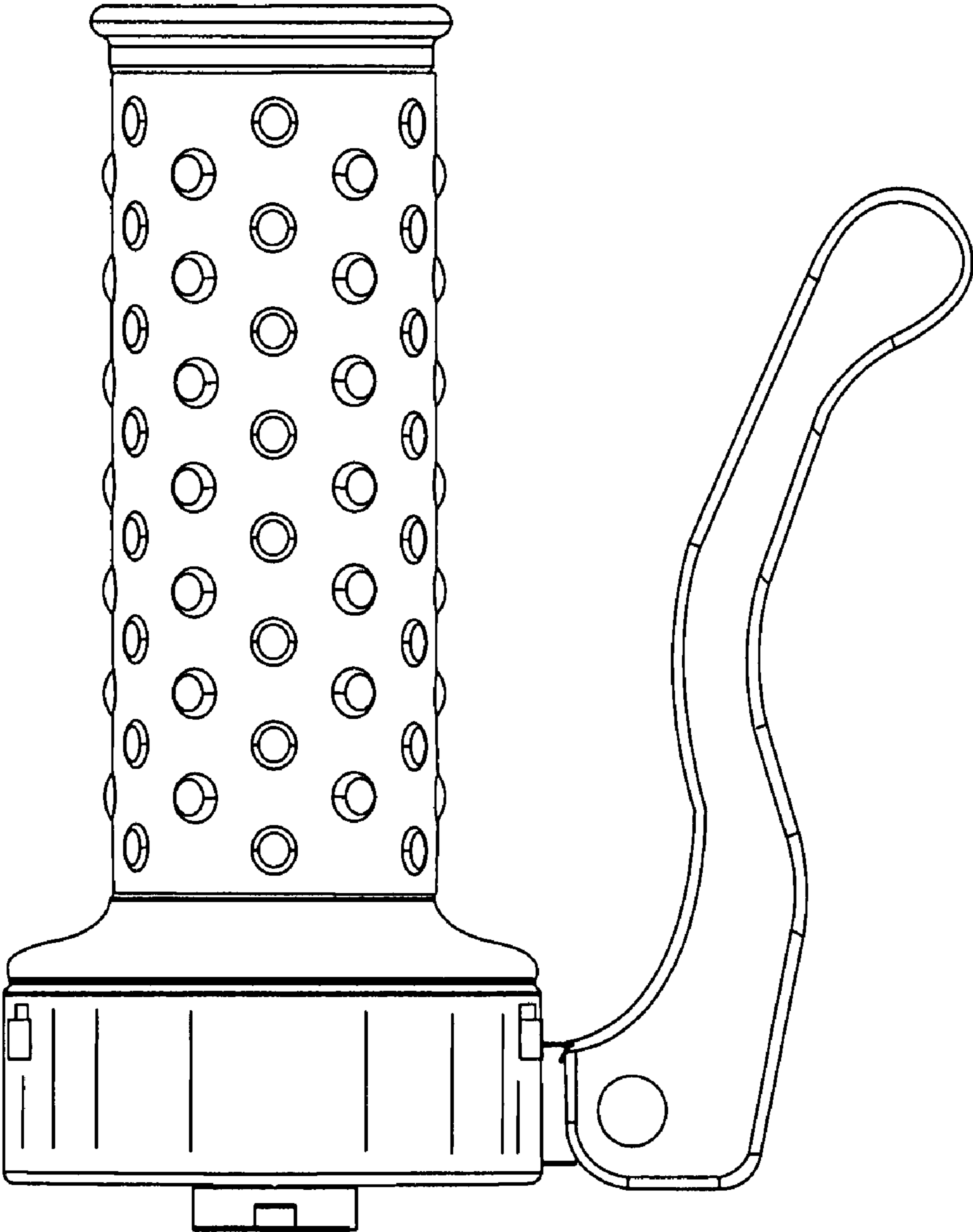


FIG. 6

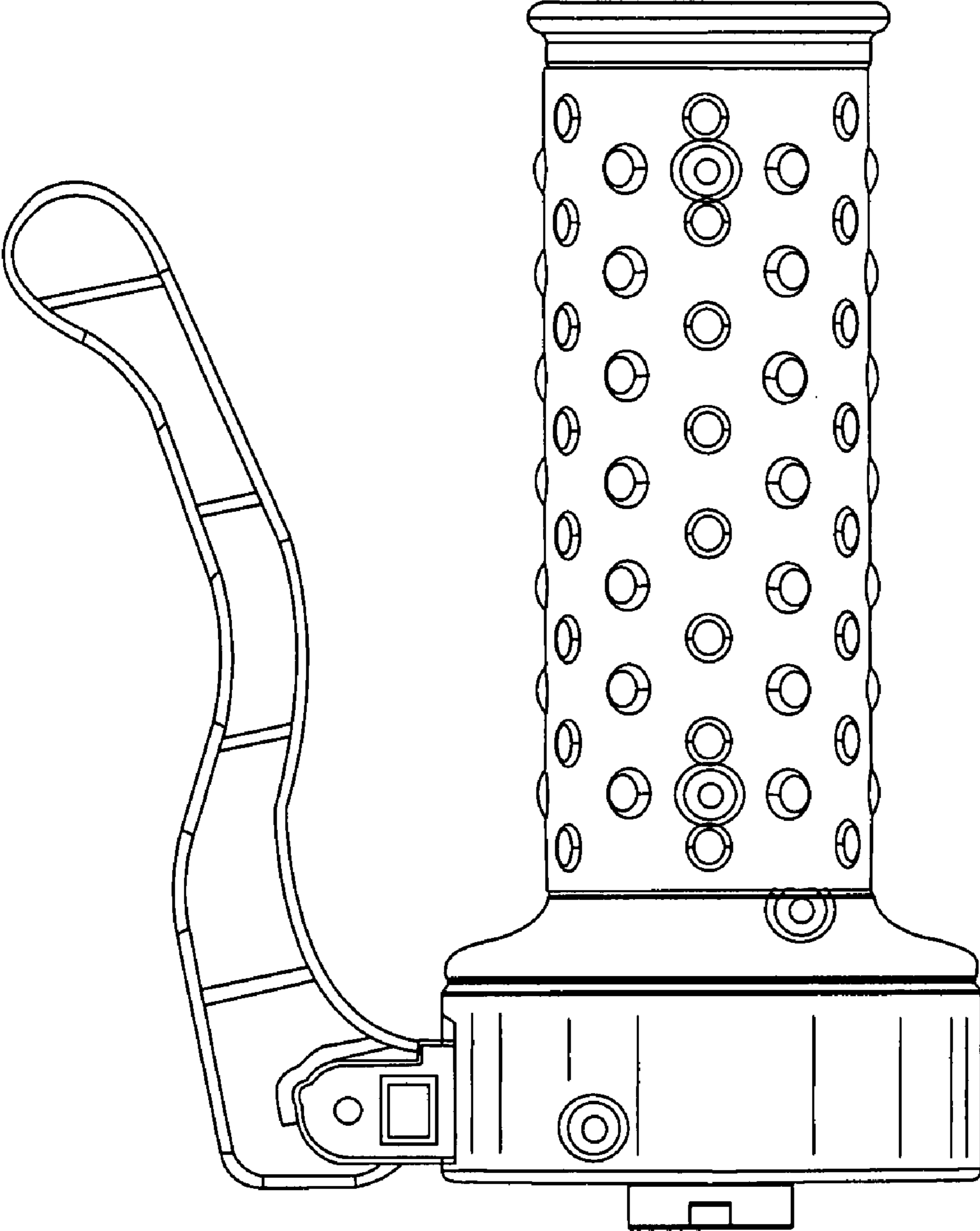


FIG. 7