



US00D554463S

(12) **United States Design Patent** (10) **Patent No.:** **US D554,463 S**  
**Parmer** (45) **Date of Patent:** **\*\* Nov. 6, 2007**

(54) **CHALK LINE HOLDER WITH SUCTION CUP**

(76) Inventor: **Thomas L. Parmer**, 2515 Wayne Dr., Greenfield, IN (US) 46140

(\*\*) Term: **14 Years**

(21) Appl. No.: **29/248,573**

(22) Filed: **Aug. 22, 2006**

(51) **LOC (8) Cl.** ..... **08-05**

(52) **U.S. Cl.** ..... **D8/71; D10/65; D8/14**

(58) **Field of Classification Search** ..... D8/71, D8/14; D10/65, 70; 248/205.5, 205.6; 33/414  
See application file for complete search history.

(56) **References Cited**

**U.S. PATENT DOCUMENTS**

3,662,471	A	5/1972	Lynde	
4,561,189	A	12/1985	Hirneise	
5,611,511	A *	3/1997	Lee	248/205.8
D408,725	S *	4/1999	Adams	D8/373
5,937,532	A *	8/1999	Eirich et al.	33/413
6,044,568	A	4/2000	Raymond	
6,082,014	A *	7/2000	Beyers	33/414
6,098,299	A	8/2000	Collins et al.	
6,138,370	A	10/2000	Rolfe	
D434,303	S *	11/2000	DeCosta	D8/349
6,308,923	B1 *	10/2001	Howard	248/205.5
6,415,519	B1	7/2002	Bennett	
6,705,018	B2	3/2004	Guhse	
6,931,743	B1 *	8/2005	Scarborough	33/414

6,962,314	B2 *	11/2005	Hsu	248/205.5
6,964,109	B1	11/2005	Bond	
D527,616	S *	9/2006	Hajianpour	D8/373
2003/0066199	A1 *	4/2003	Guhse	33/414
2004/0221469	A1 *	11/2004	Risher	33/760

\* cited by examiner

*Primary Examiner*—Philip S. Hyder  
(74) *Attorney, Agent, or Firm*—Woodard, Emhardt, Moriarty, McNett & Henry LLP

(57) **CLAIM**

The ornamental design for a chalk line holder with suction cup, as shown and described.

**DESCRIPTION**

FIG. 1 is a perspective view of a chalk line holder with suction cup showing my new design, wherein the broken line showing of the chalk line and the hand is included for the purpose of illustrating environment and forms no part of the claimed design.

FIG. 2 is a front elevation.

FIG. 3 is a rear elevation.

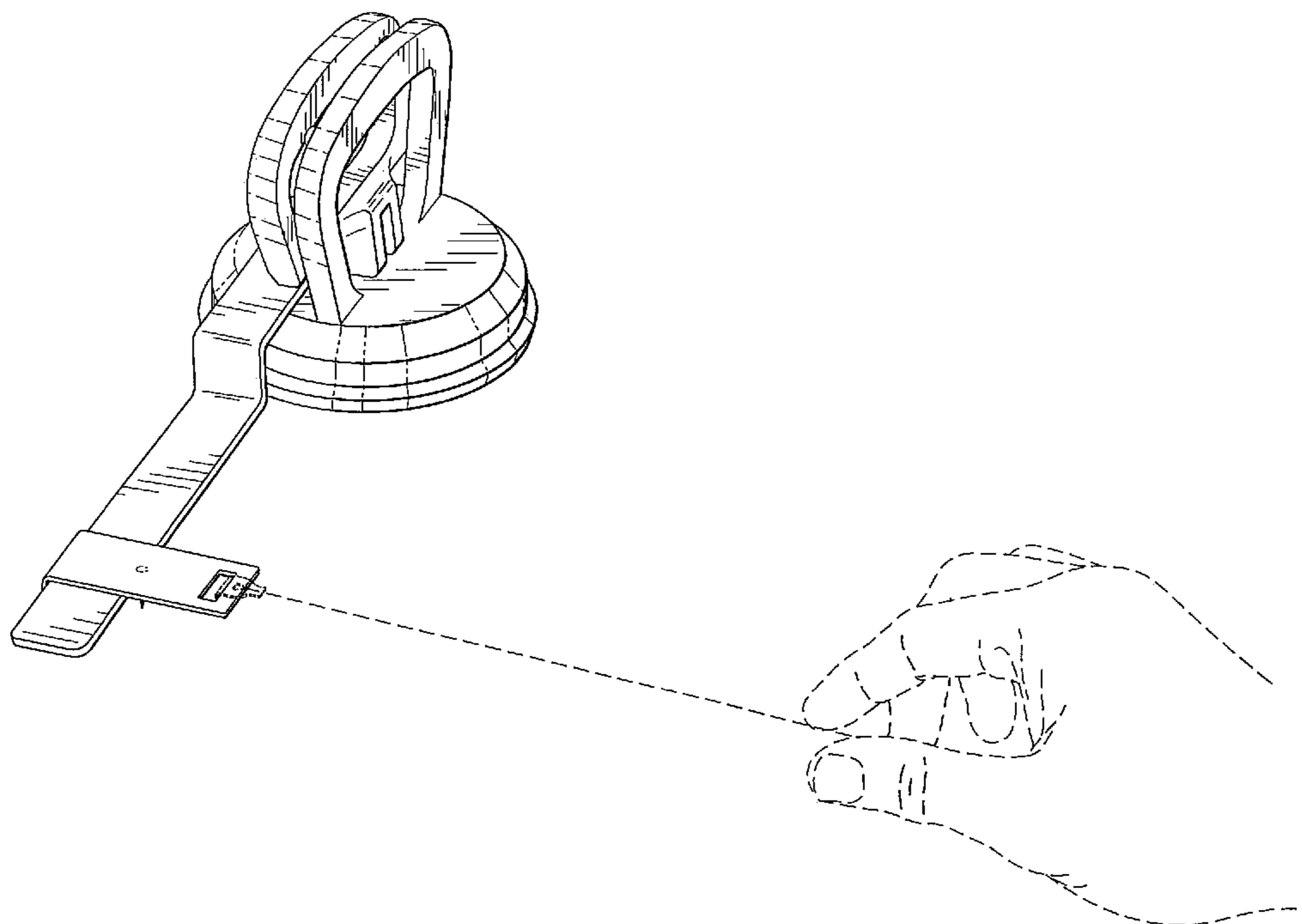
FIG. 4 is a top plan.

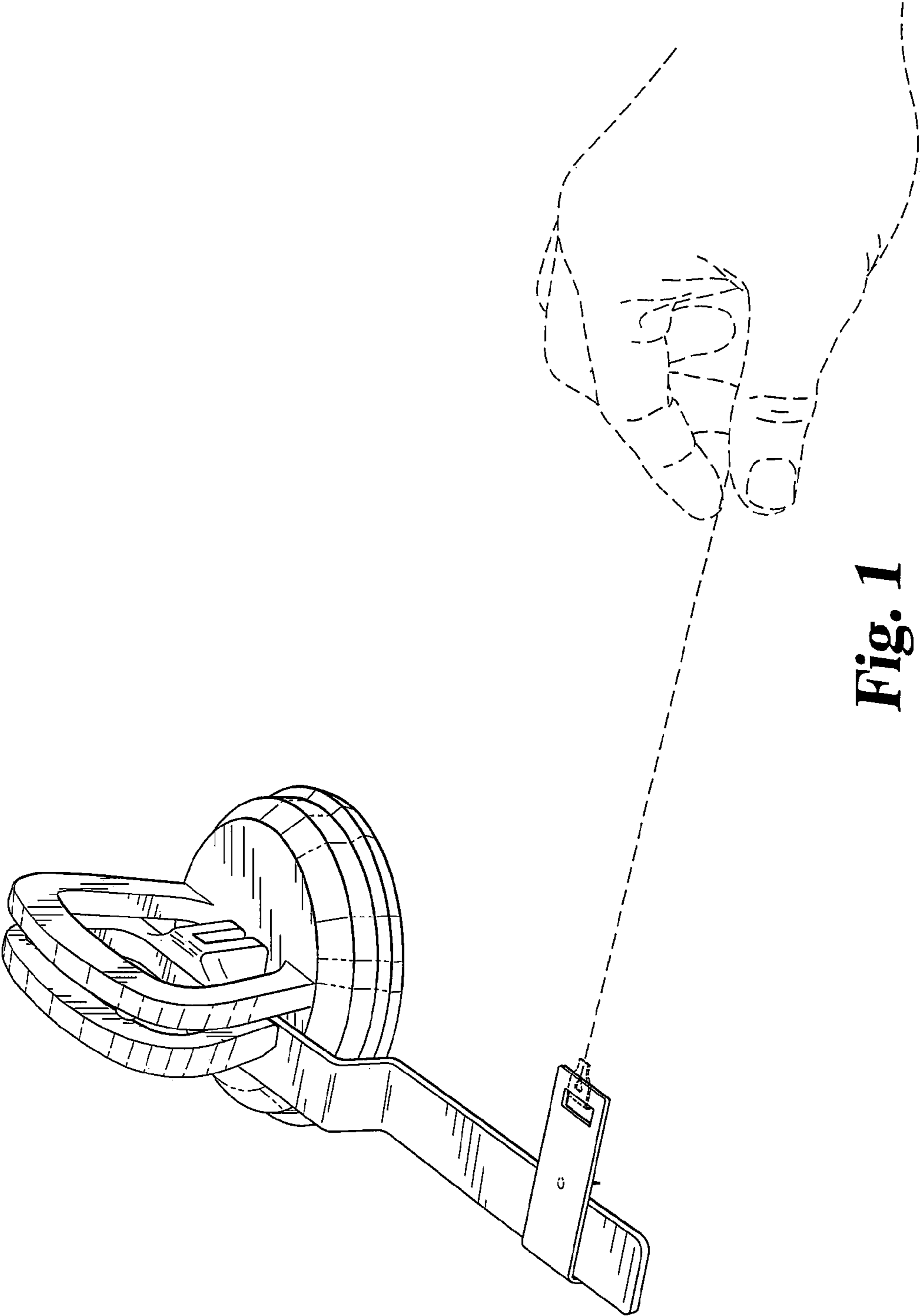
FIG. 5 is a bottom plan.

FIG. 6 is a left side view; and,

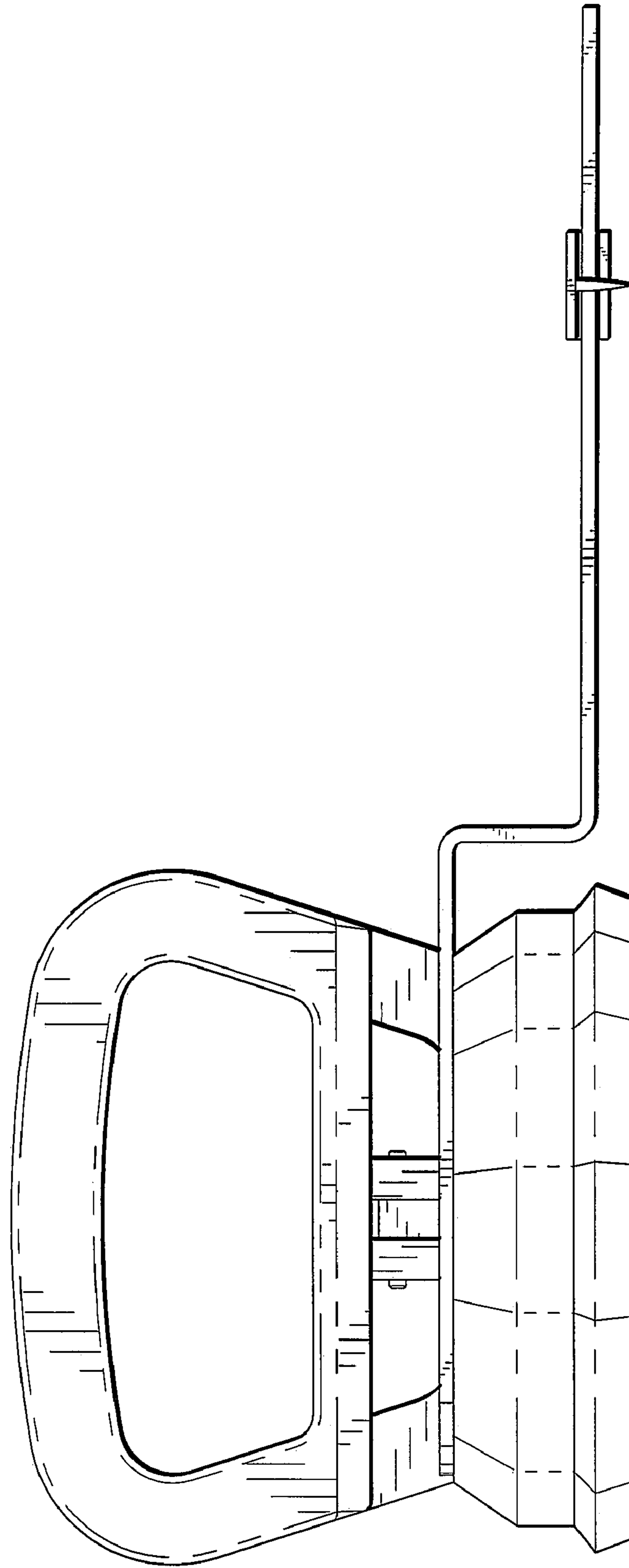
FIG. 7 is a right side view.

**1 Claim, 7 Drawing Sheets**





**Fig. 1**



**Fig. 2**

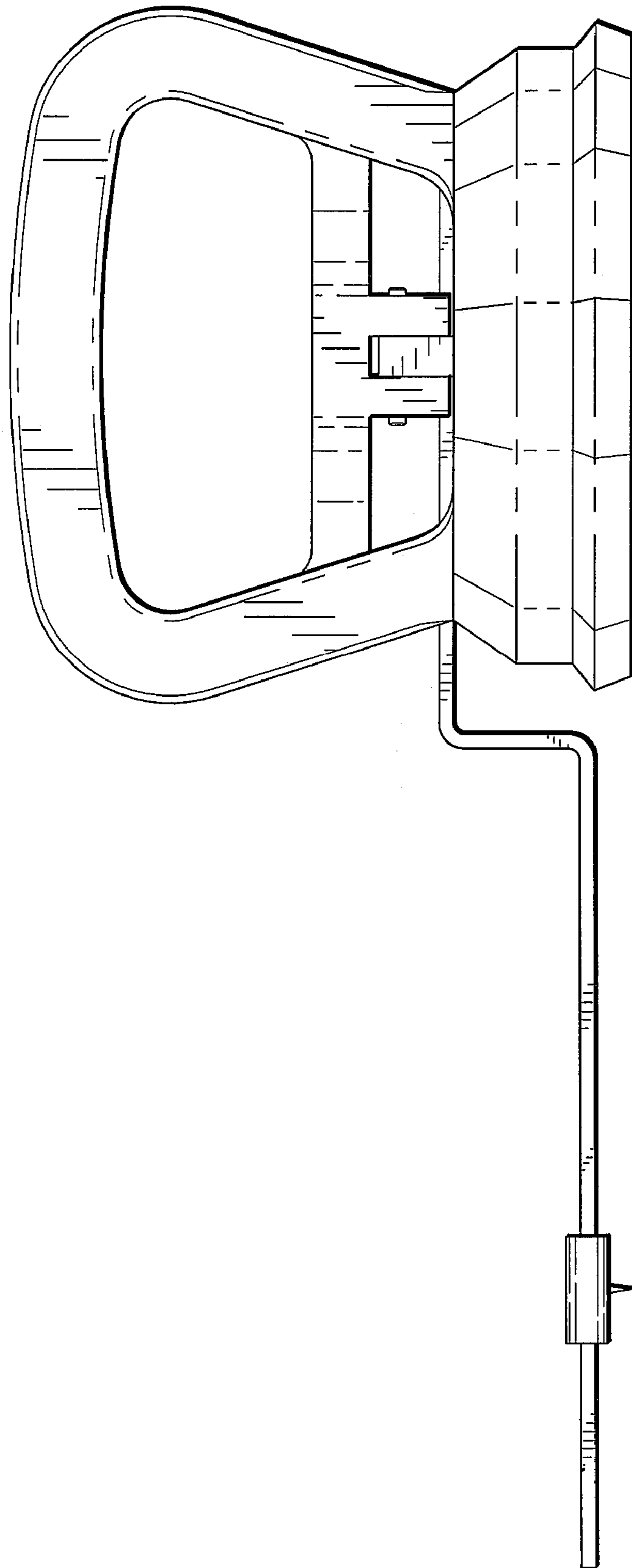
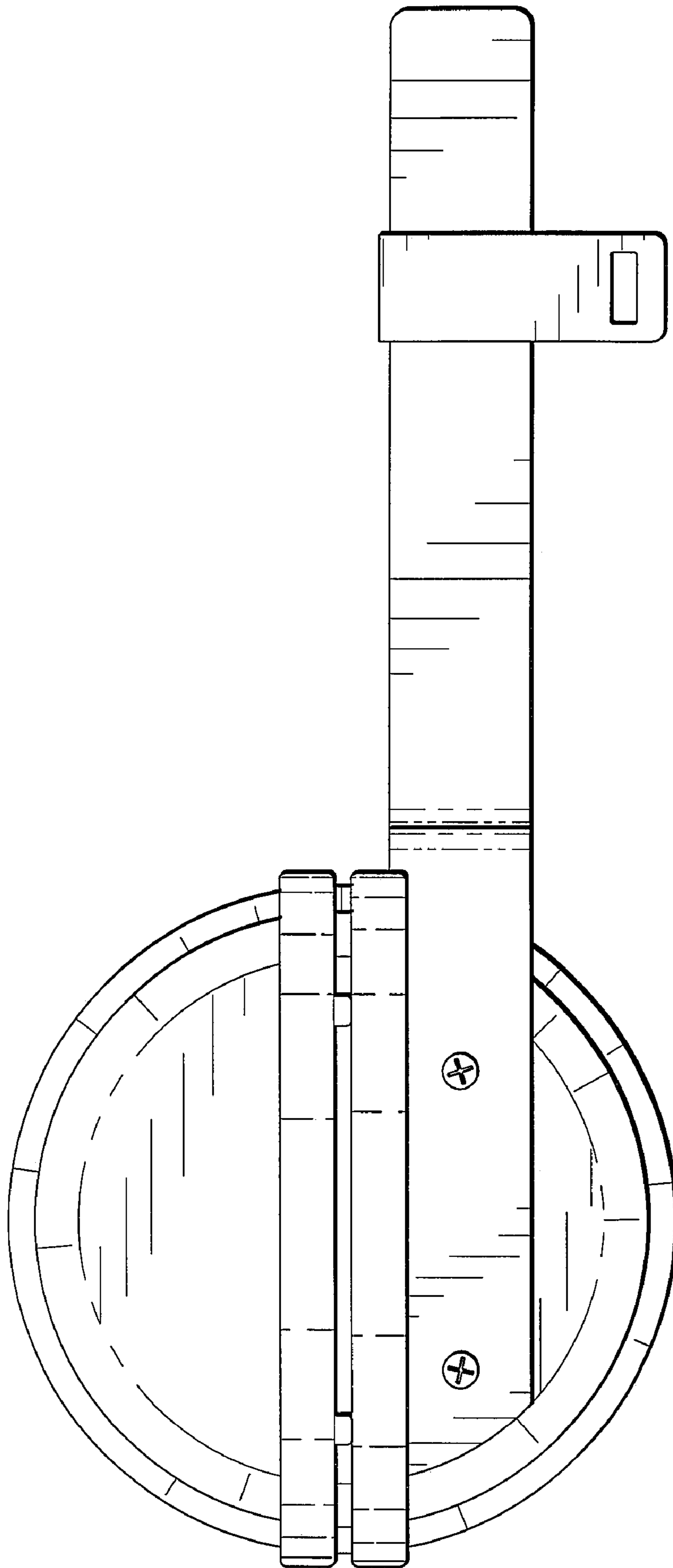
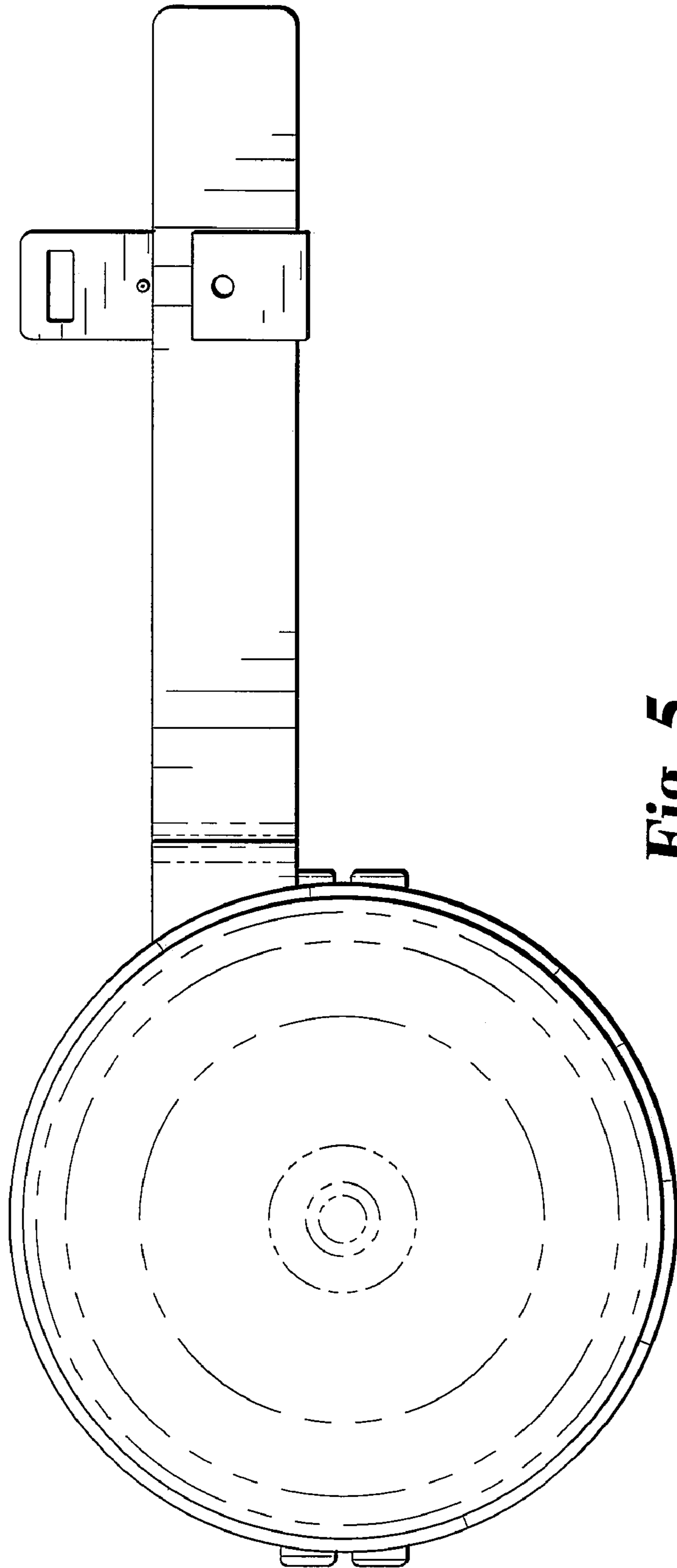


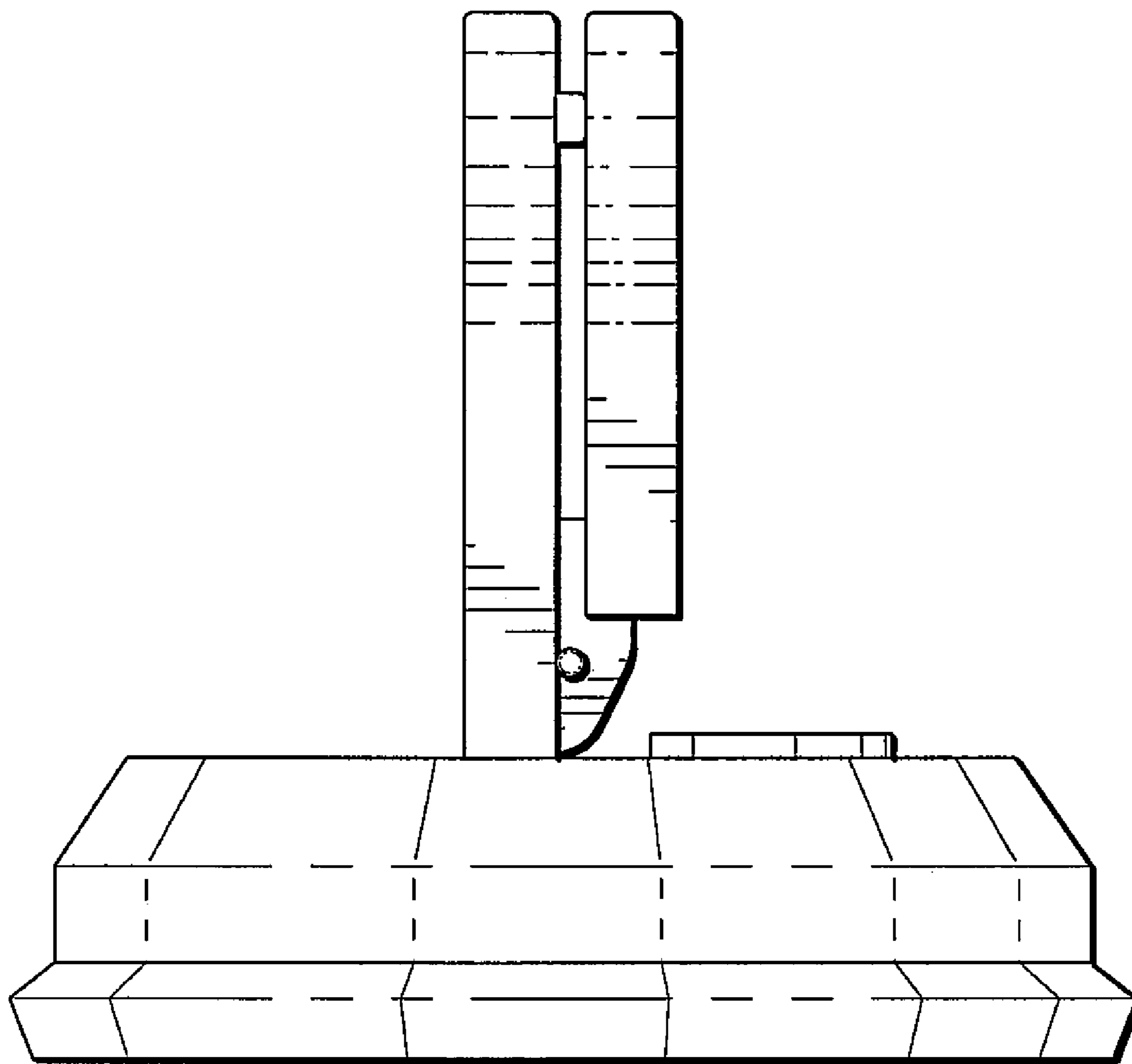
Fig. 3



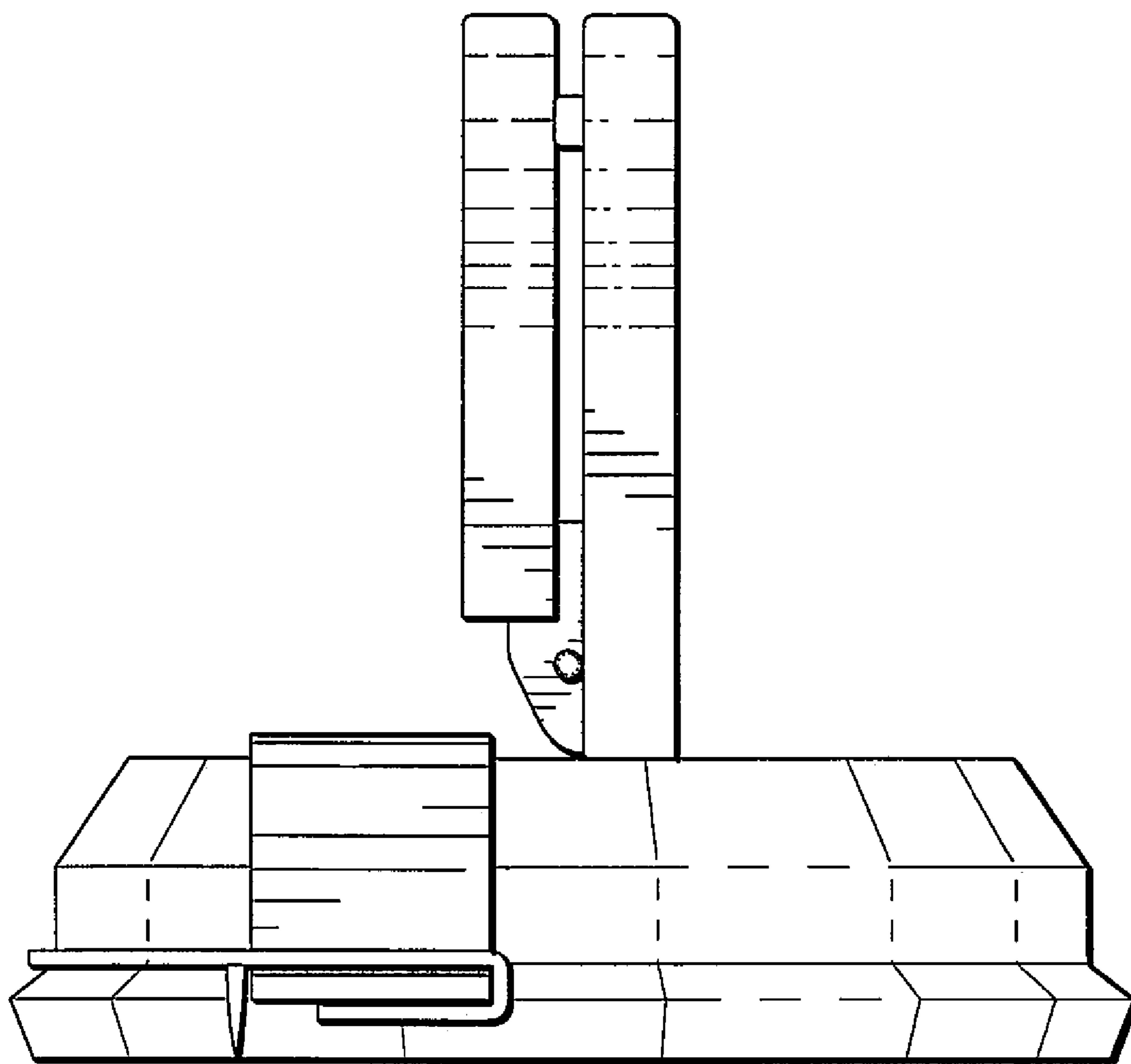
**Fig. 4**



**Fig. 5**



**Fig. 6**



***Fig. 7***