

US00D554462S

(12) **United States Design Patent**  
**Zhang**

(10) **Patent No.:** **US D554,462 S**

(45) **Date of Patent:** **\*\* Nov. 6, 2007**

(54) **CIRCULAR SAW**

(75) Inventor: **Junliu Zhang**, Jiangsu Province (CN)

(73) Assignee: **Nanjing Chervon Industry Co., Ltd.**,  
Nanjing (CN)

(\*\*) Term: **14 Years**

(21) Appl. No.: **29/268,978**

(22) Filed: **Nov. 17, 2006**

(30) **Foreign Application Priority Data**

May 31, 2006 (CN) ..... 2006 3 0089518

(51) **LOC (8) Cl.** ..... **08-03**

(52) **U.S. Cl.** ..... **D8/66**

(58) **Field of Classification Search** ..... D8/69,  
D8/68, 67, 66, 64, 61, 70; 83/698.41, 747;  
30/166.3, 374, 373, 375, 376, 391, 377, 390,  
30/388, 389; 125/13.01; 144/218

See application file for complete search history.

(56) **References Cited**

**U.S. PATENT DOCUMENTS**

D363,656 S *	10/1995	Gierke	.....	D8/66
D411,425 S *	6/1999	Sugimoto et al.	.....	D8/66
D427,872 S *	7/2000	Snider	.....	D8/66
D427,874 S *	7/2000	Hayakawa et al.	.....	D8/66
D428,319 S *	7/2000	Gallagher	.....	D8/66
D433,300 S *	11/2000	Buck	.....	D8/66
D466,385 S *	12/2002	Shigo et al.	.....	D8/66
D470,376 S *	2/2003	Chunn et al.	.....	D8/66
6,543,143 B2 *	4/2003	Moore et al.	.....	30/391
D486,369 S *	2/2004	Keller	.....	D8/66

D502,073 S *	2/2005	Andriolo	.....	D8/66
6,889,439 B2 *	5/2005	Koukal et al.	.....	30/377
D507,949 S *	8/2005	Chunn et al.	.....	D8/66
D514,411 S *	2/2006	Yuen et al.	.....	D8/66
D520,830 S *	5/2006	Suzuki et al.	.....	D8/66
D521,336 S *	5/2006	Heun	.....	D8/66
D522,833 S *	6/2006	Kokawa	.....	D8/66
D527,599 S *	9/2006	Ng	.....	D8/66
D531,473 S *	11/2006	Lopano	.....	D8/66
2004/0045176 A1 *	3/2004	Koukal et al.	.....	30/91

\* cited by examiner

*Primary Examiner*—Cathron C. Brooks

*Assistant Examiner*—Austin Murphy

(74) *Attorney, Agent, or Firm*—Butzel Long

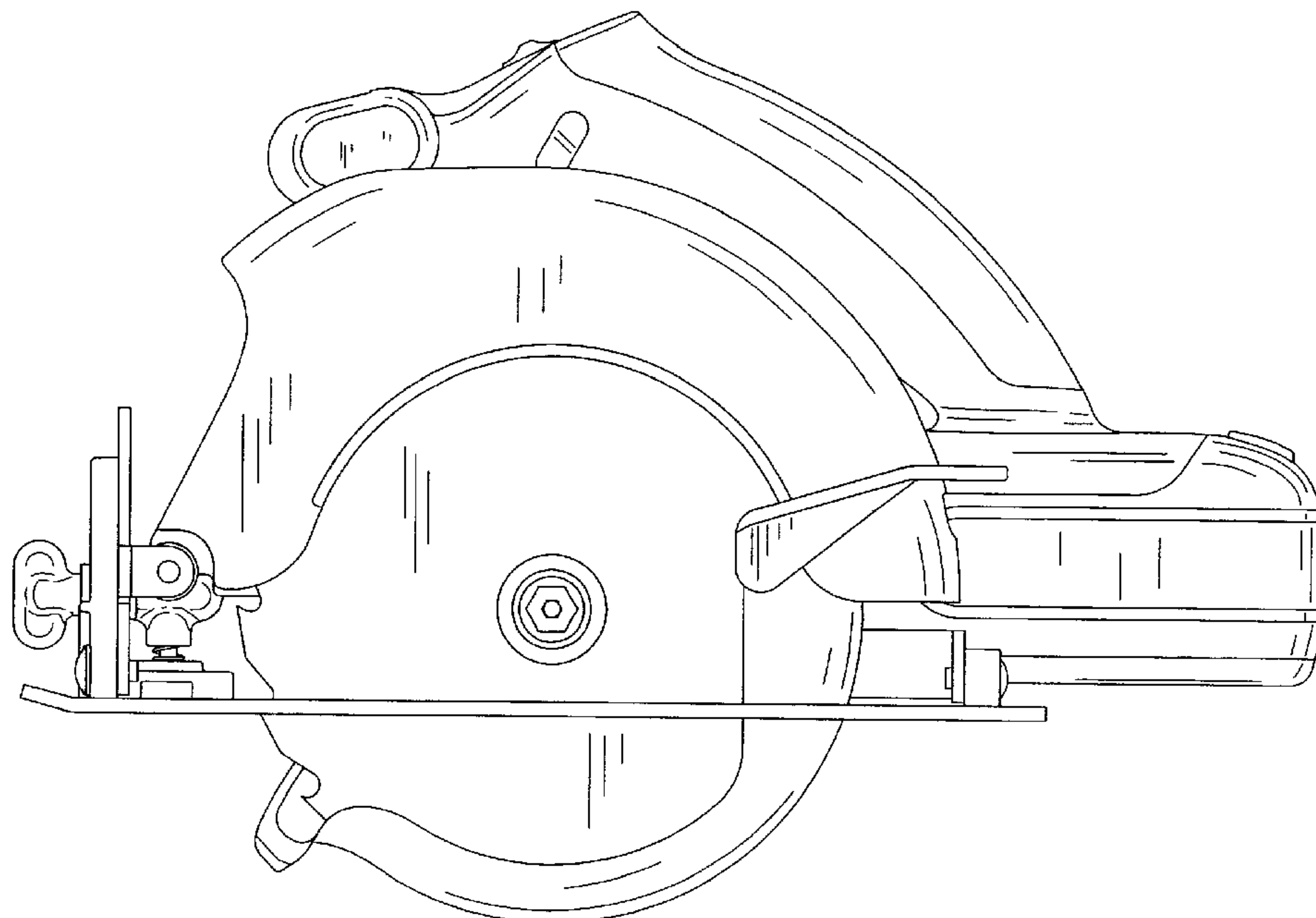
(57) **CLAIM**

The ornamental design for a circular saw, as shown and described.

**DESCRIPTION**

FIG. 1 is a front elevational view of the design;  
 FIG. 2 is a rear elevational view of the circular saw in FIG. 1;  
 FIG. 3 is a left side elevational view of the circular saw in FIG. 1;  
 FIG. 4 is a right side elevational view of the circular saw in FIG. 1;  
 FIG. 5 is a top plan view of the circular saw in FIG. 1;  
 FIG. 6 is a bottom plan view of the circular saw in FIG. 1;  
 and,  
 FIG. 7 is a perspective view of the circular saw of FIG. 1.

**1 Claim, 7 Drawing Sheets**



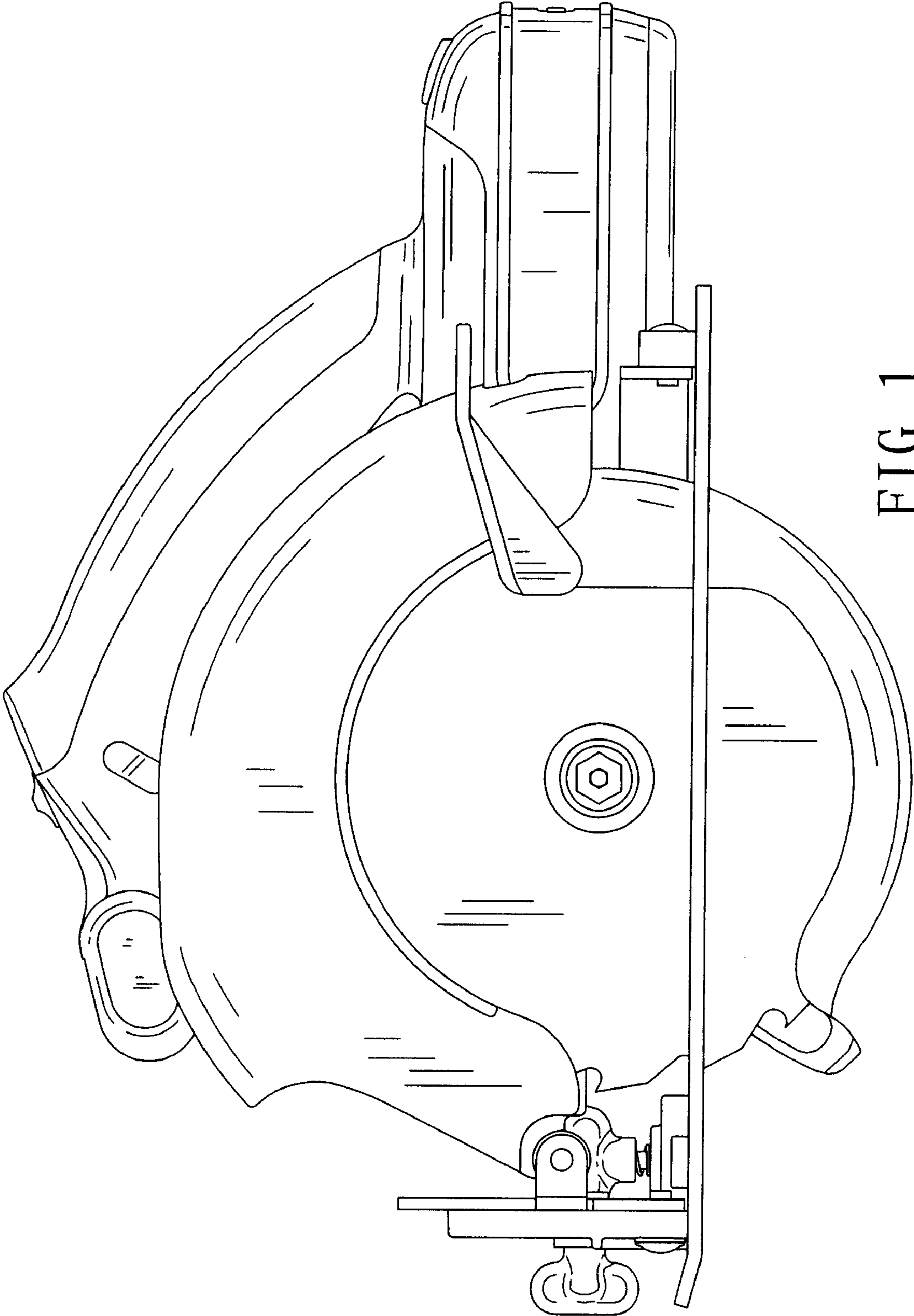


FIG 1

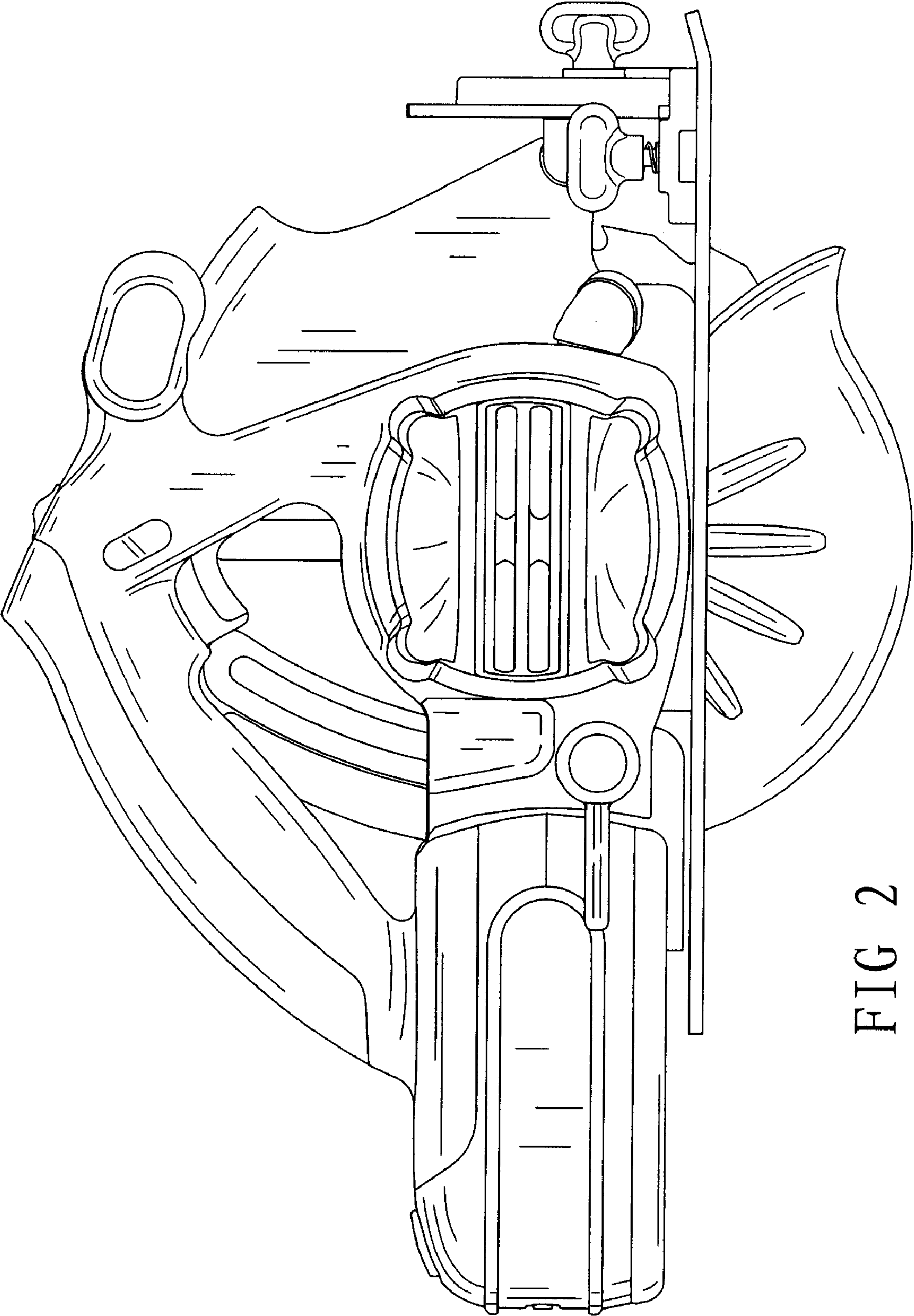


FIG 2

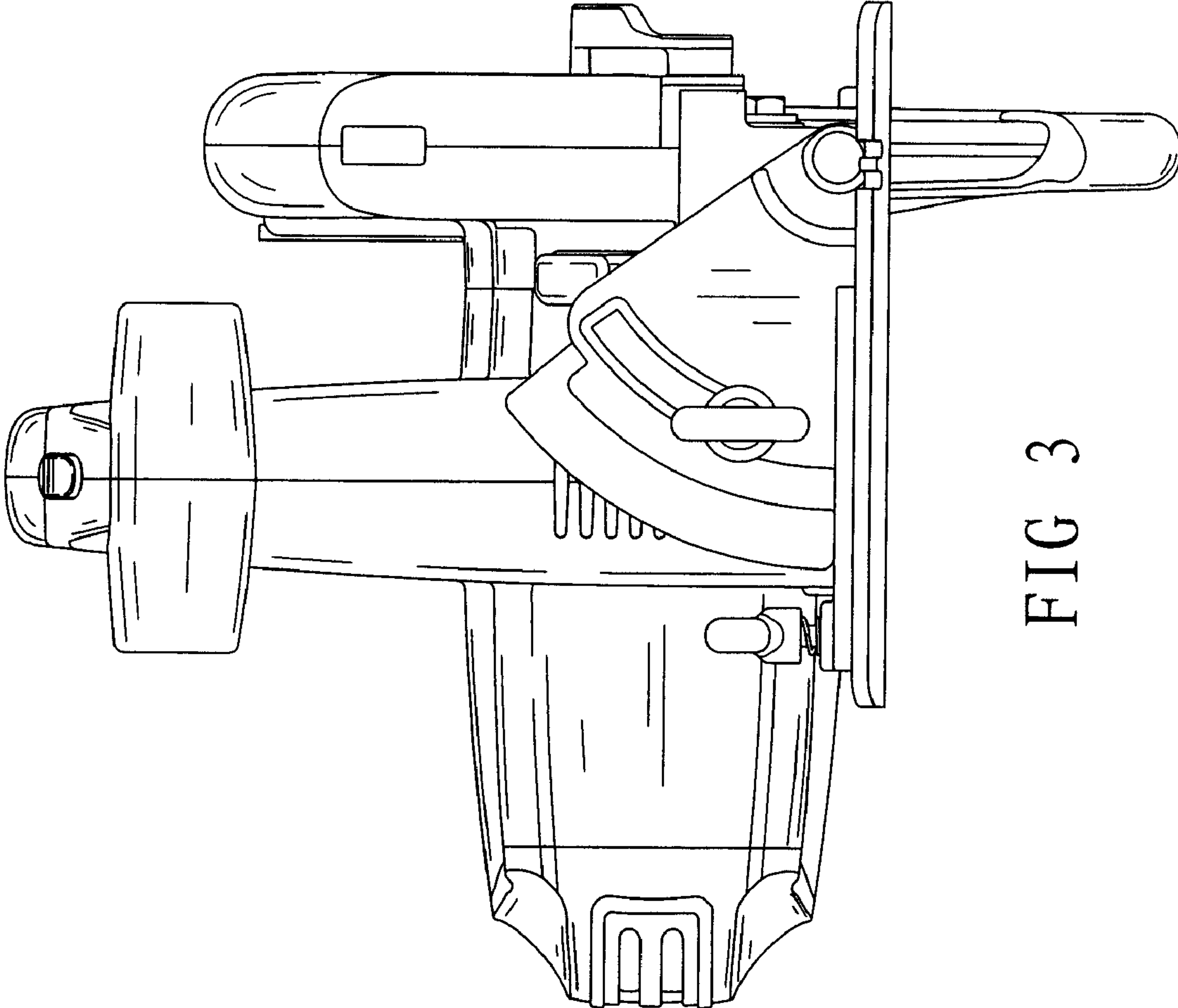


FIG 3

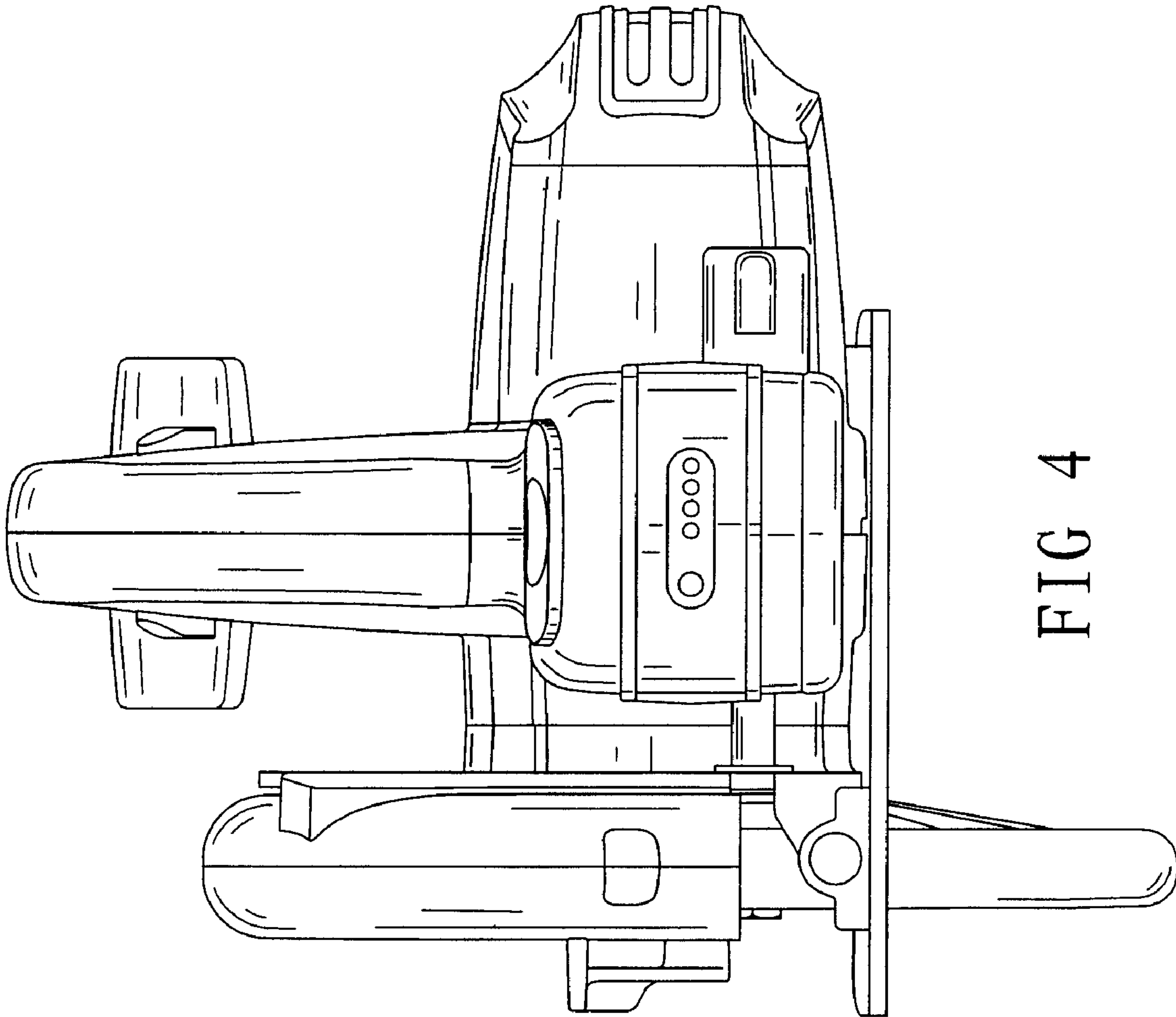


FIG 4



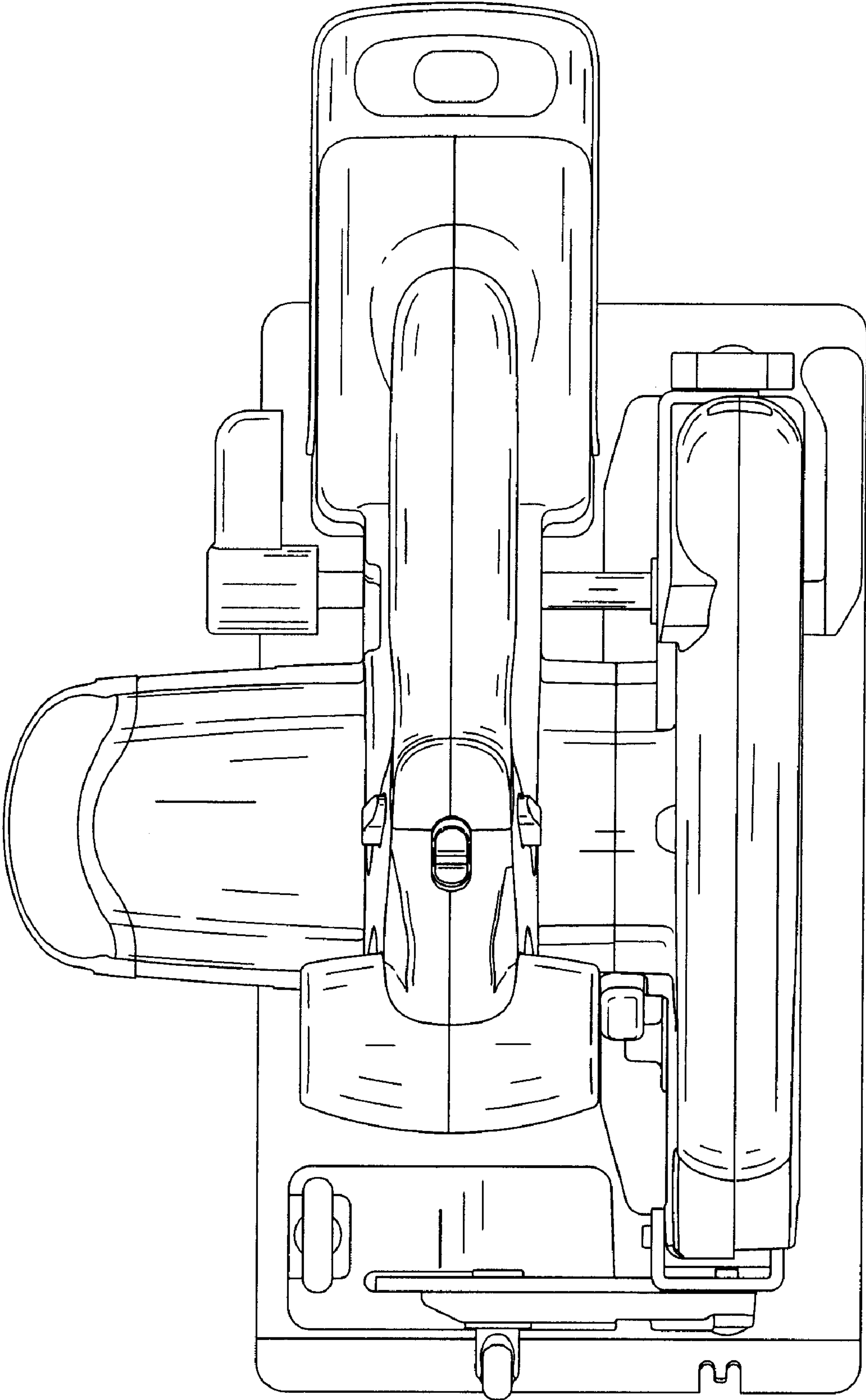


FIG 5

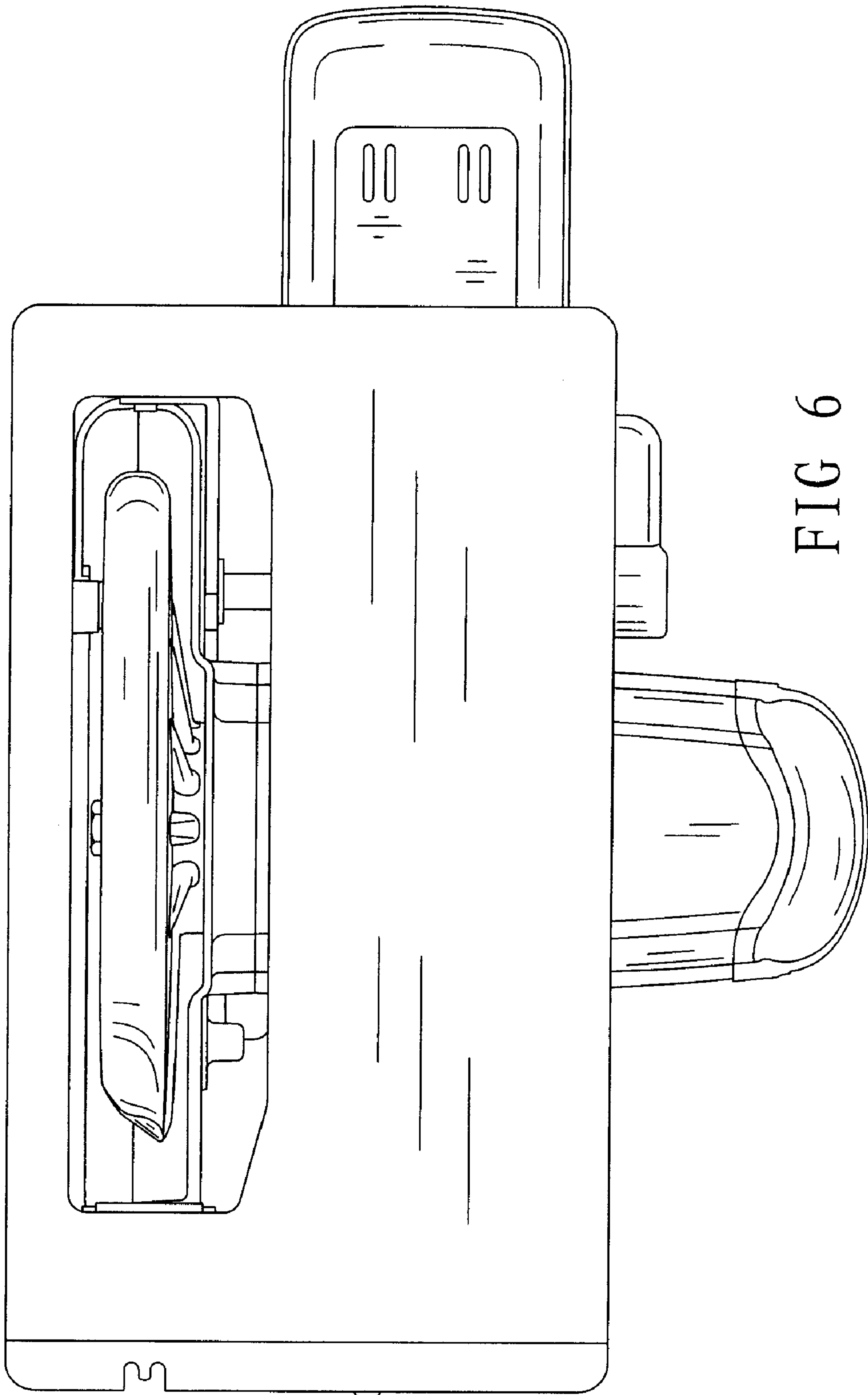


FIG 6

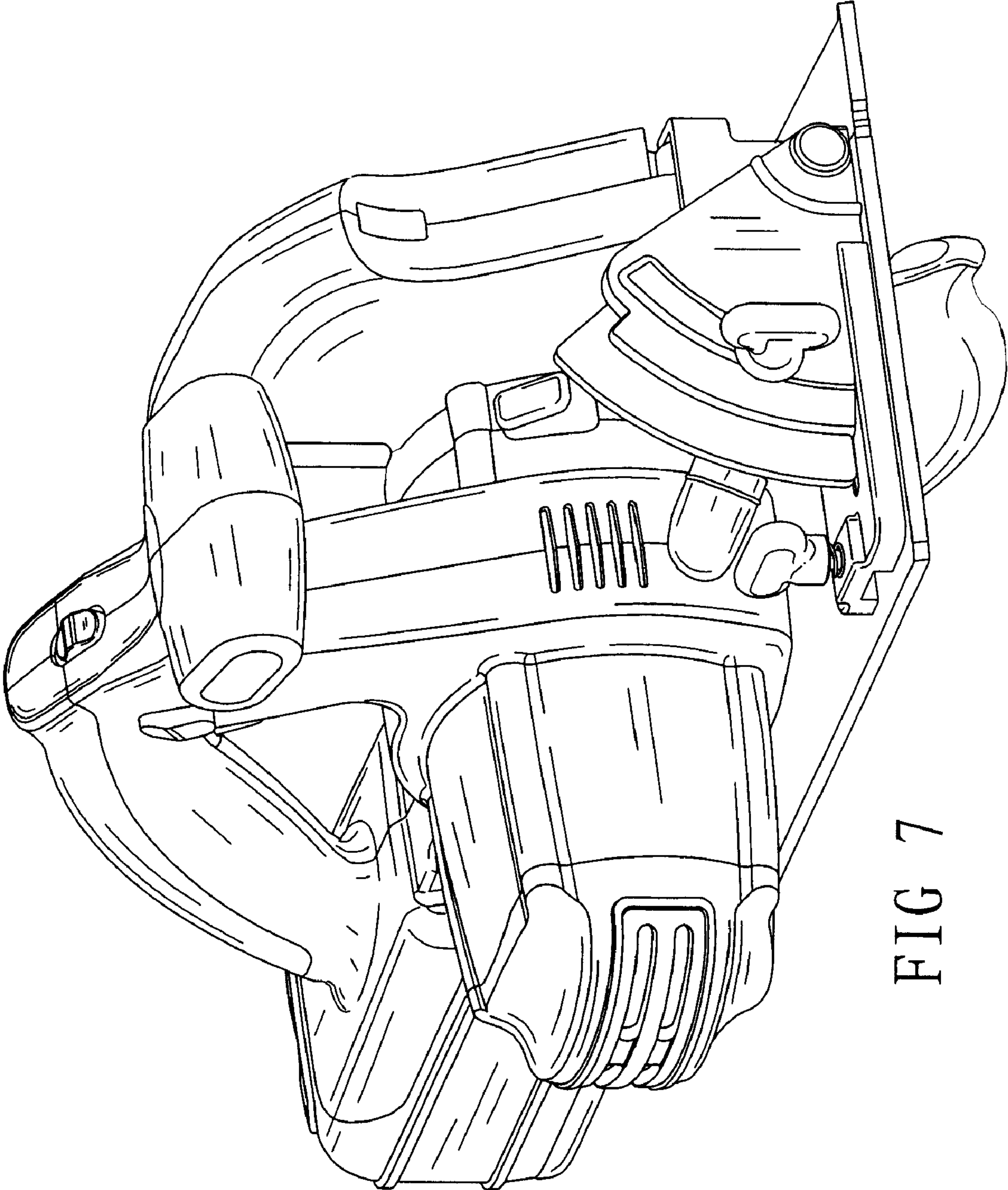


FIG 7