



US00D554451S

(12) **United States Design Patent**
Lin

(10) **Patent No.:** **US D554,451 S**

(45) **Date of Patent:** **** Nov. 6, 2007**

(54) **GARDENING TOOL**

D531,467 S * 11/2006 Farley D8/9

(76) Inventor: **Ming-Shuan Lin**, No. 29-2, Sec. 1,
Tafeng Rd., Tantz Hsiang, Taichung
Hsien (TW)

* cited by examiner

Primary Examiner—Holly Baynham
Assistant Examiner—Sheryl Friedman
(74) *Attorney, Agent, or Firm*—MacPherson Kwok Chen &
Heid LLP

(**) Term: **14 Years**

(21) Appl. No.: **29/255,143**

(57) **CLAIM**

(22) Filed: **Mar. 2, 2006**

The ornamental design for gardening tool, as shown and
described.

(51) **LOC (8) Cl.** **08-01**

(52) **U.S. Cl.** **D8/9**

(58) **Field of Classification Search** D8/7,
D8/9; 30/144

DESCRIPTION

See application file for complete search history.

FIG. 1 is a perspective view of gardening tool showing my
new design;

FIG. 2 is a front elevational view thereof;

FIG. 3 is a rear elevational view thereof;

FIG. 4 is a left side elevational view thereof;

FIG. 5 is a right side elevational view thereof;

FIG. 6 is a top plan view thereof; and,

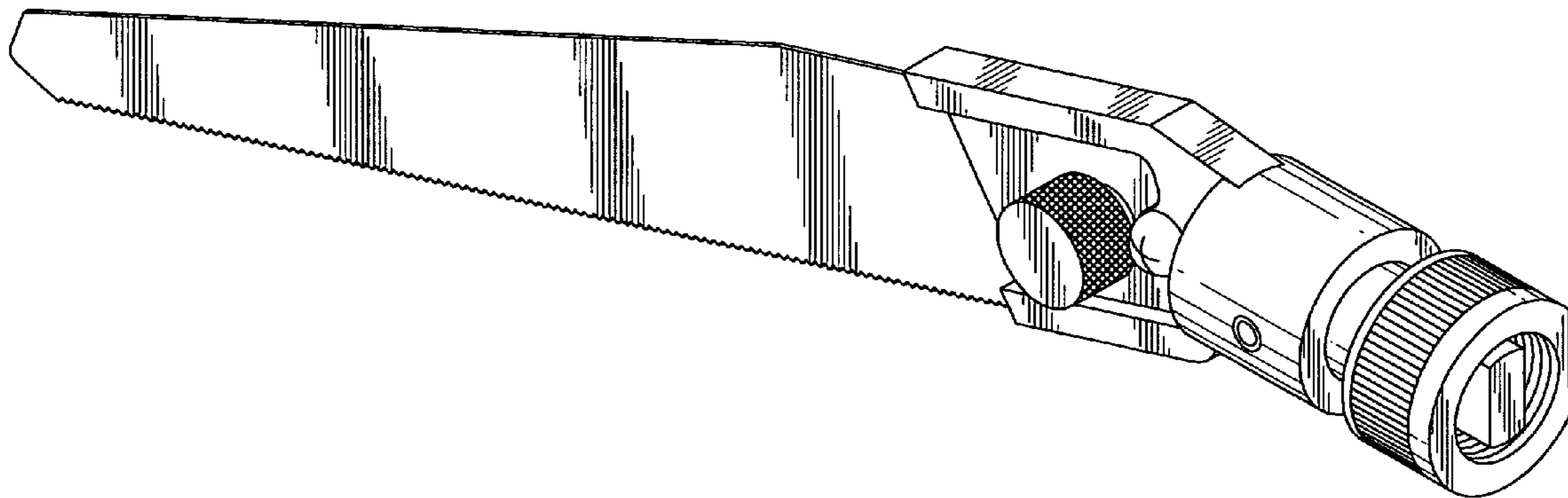
FIG. 7 is a bottom plan view thereof.

(56) **References Cited**

U.S. PATENT DOCUMENTS

1,787,057	A	*	12/1930	Ward	30/144
D346,937	S	*	5/1994	Backman	D8/7
D392,164	S	*	3/1998	Bomgaars, Jr.	D8/9
D461,999	S	*	8/2002	Nimmo	D8/7
D526,171	S	*	8/2006	Farley	D8/9
D530,164	S	*	10/2006	Farley	D8/9

1 Claim, 6 Drawing Sheets



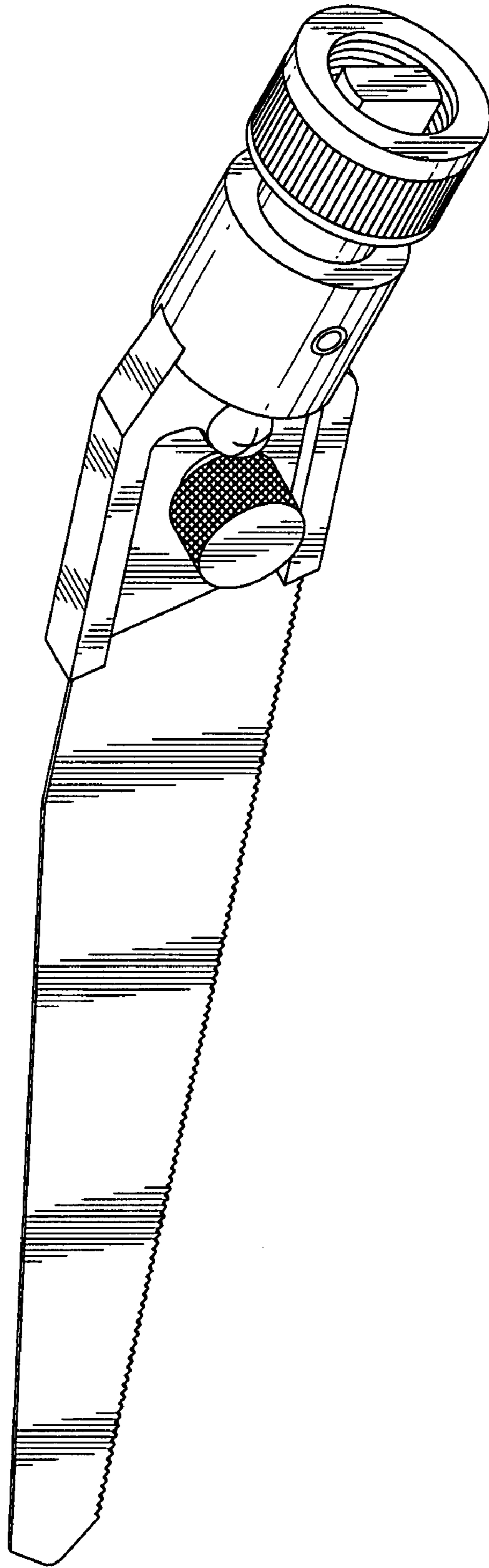


FIG. 1

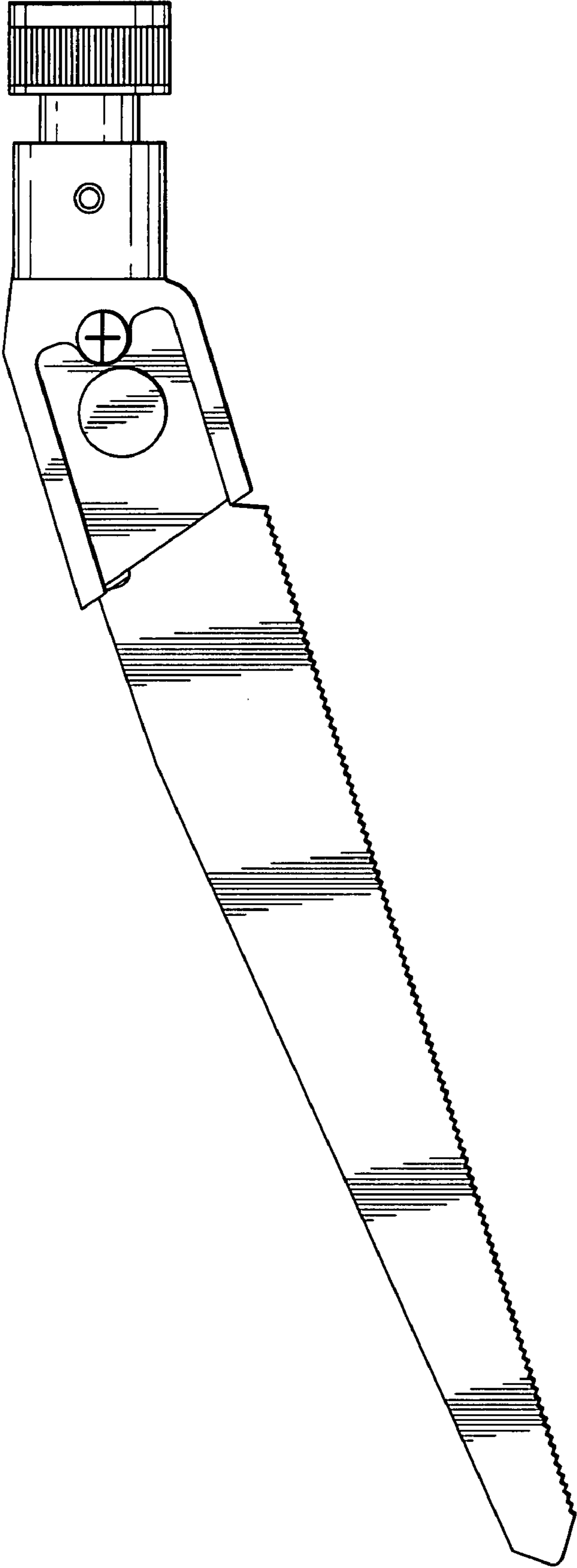


FIG. 2

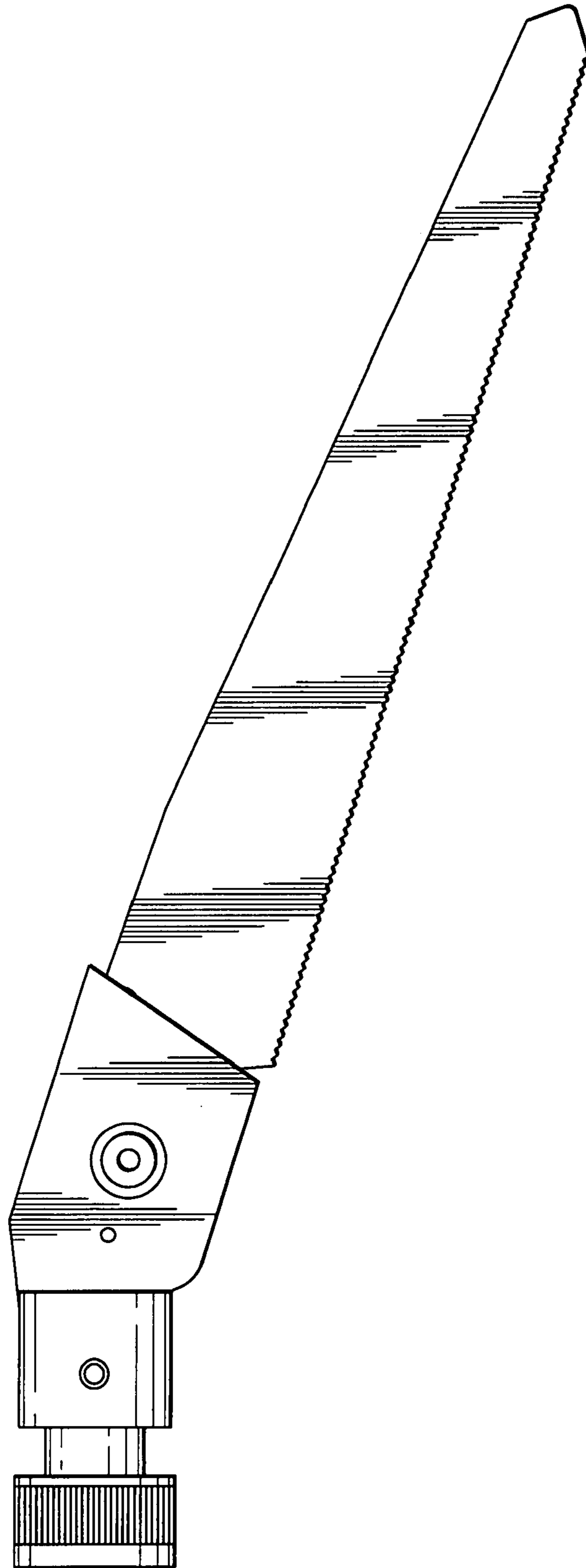


FIG. 3

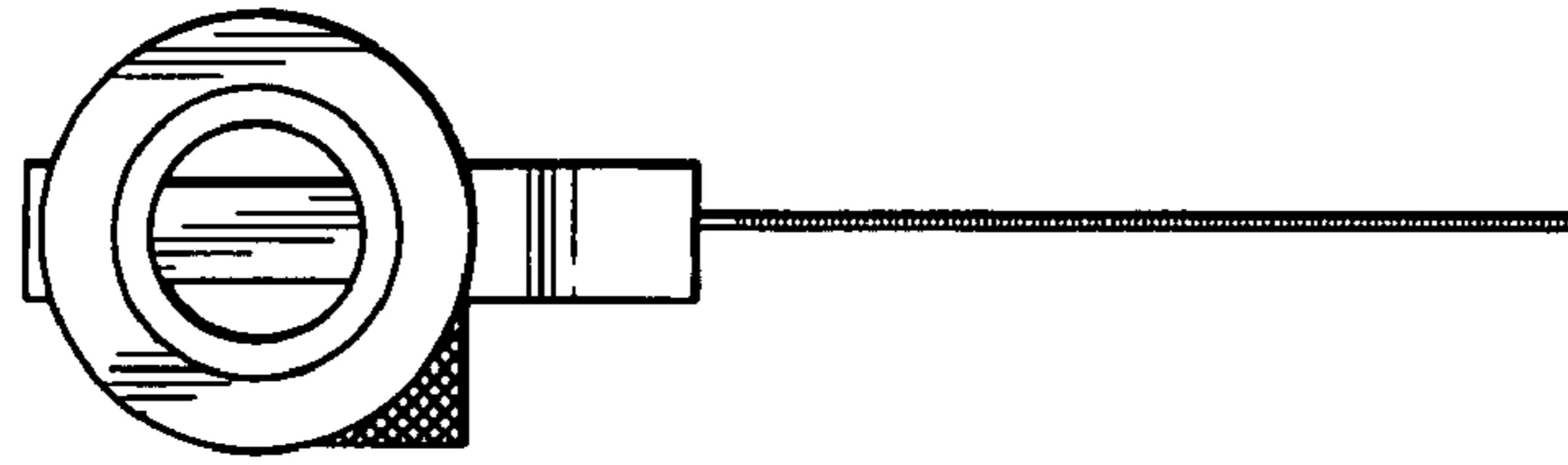


FIG. 5

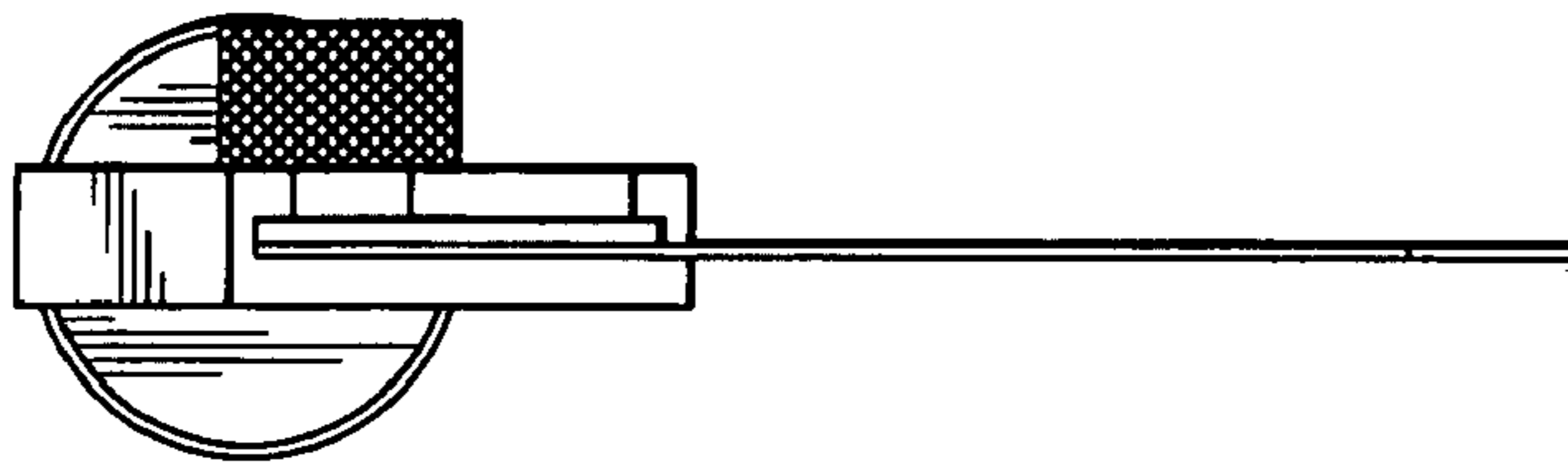


FIG. 4

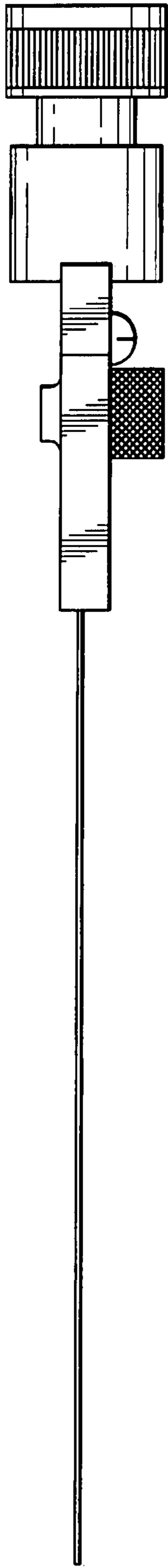


FIG. 6

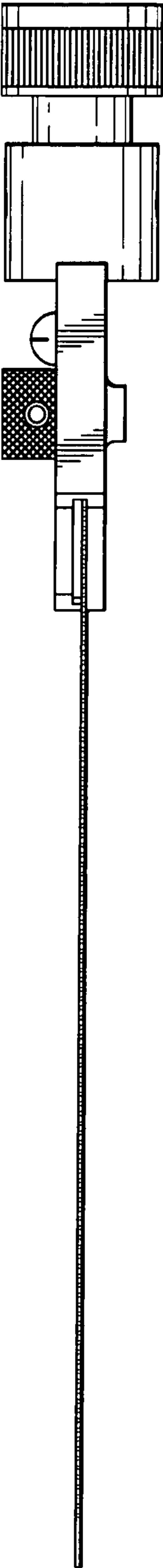


FIG. 7