



US00D554441S

(12) **United States Design Patent**
Malcolm et al.

(10) **Patent No.:** **US D554,441 S**

(45) **Date of Patent:** **** Nov. 6, 2007**

(54) **PUSHER WITH INTEGRATED CONSTRUCTION MACHINE**

(76) Inventors: **Carter Trent Malcolm**, 1733 Foxdale La., Ann Arbor, MI (US) 48108;
Jacqueline Kay Malcolm, 1733 Foxdale La., Ann Arbor, MI (US) 48108

(**) Term: **14 Years**

(21) Appl. No.: **29/258,544**

(22) Filed: **Apr. 25, 2006**

(51) **LOC (8) Cl.** **07-03**

(52) **U.S. Cl.** **D7/653**

(58) **Field of Classification Search** D7/393, D7/395, 401.2, 506, 642-645, 653-668, 683-687; 30/147-150, 322-328; 294/1.1, 11, 16, 33, 294/99.1, 99.2, 100, 106, 118, 119; 222/191; D34/34; D8/24, 83, 107; D21/556; D4/107
See application file for complete search history.

(56) **References Cited**

U.S. PATENT DOCUMENTS

D310,944 S 10/1990 Lutzker
D404,260 S 1/1999 Lake et al.

D404,261 S 1/1999 Lake et al.
D407,274 S 3/1999 Lake et al.
D432,358 S * 10/2000 Natale D7/506
D437,740 S 2/2001 Manion et al.
D533,038 S * 12/2006 Hsu D8/24

* cited by examiner

Primary Examiner—Mimosa De
Assistant Examiner—Ricky Pham

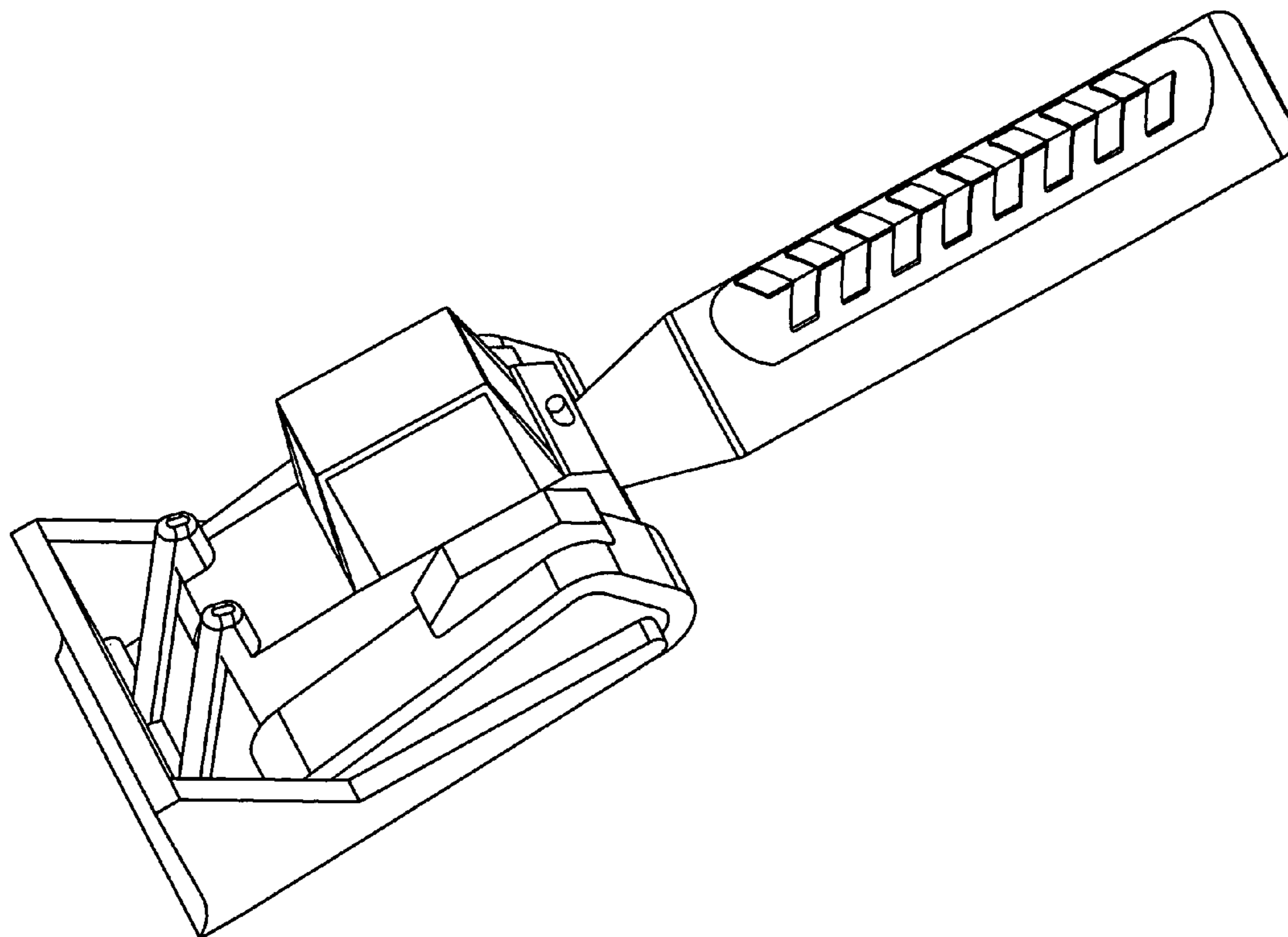
(57) **CLAIM**

The ornamental design for the pusher with integrated construction machine, as shown.

DESCRIPTION

FIG. 1 is a perspective view of the pusher with integrated construction machine;
FIG. 2 is a top plan thereof;
FIG. 3 is a bottom plan view thereof;
FIG. 4 is a right side elevational view thereof;
FIG. 5 is a left side elevational view thereof;
FIG. 6 is a front view thereof; and,
FIG. 7 is a rear view thereof.

1 Claim, 4 Drawing Sheets



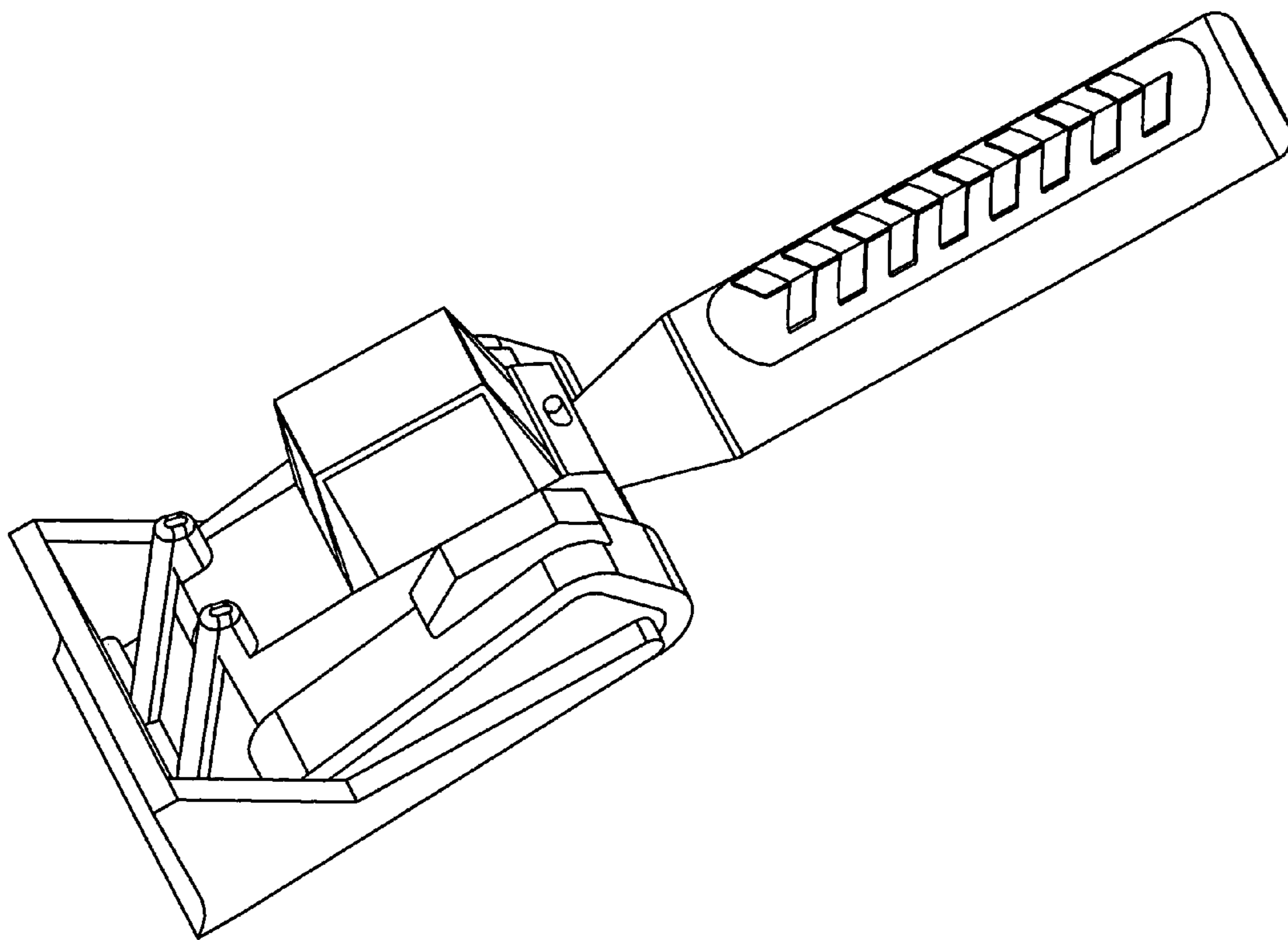


FIGURE 1

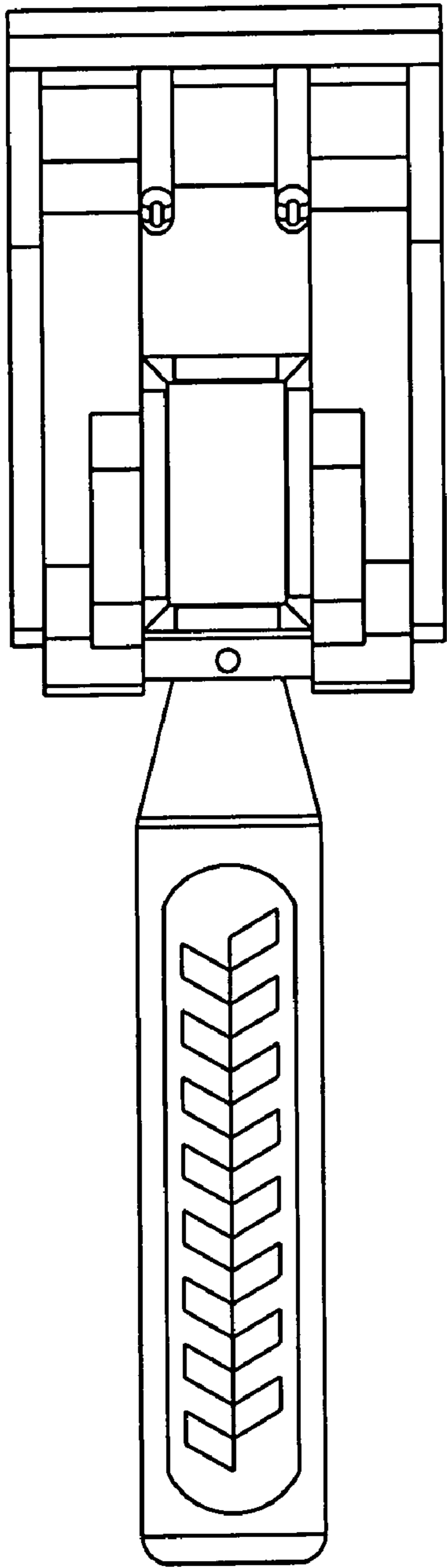


FIGURE 2

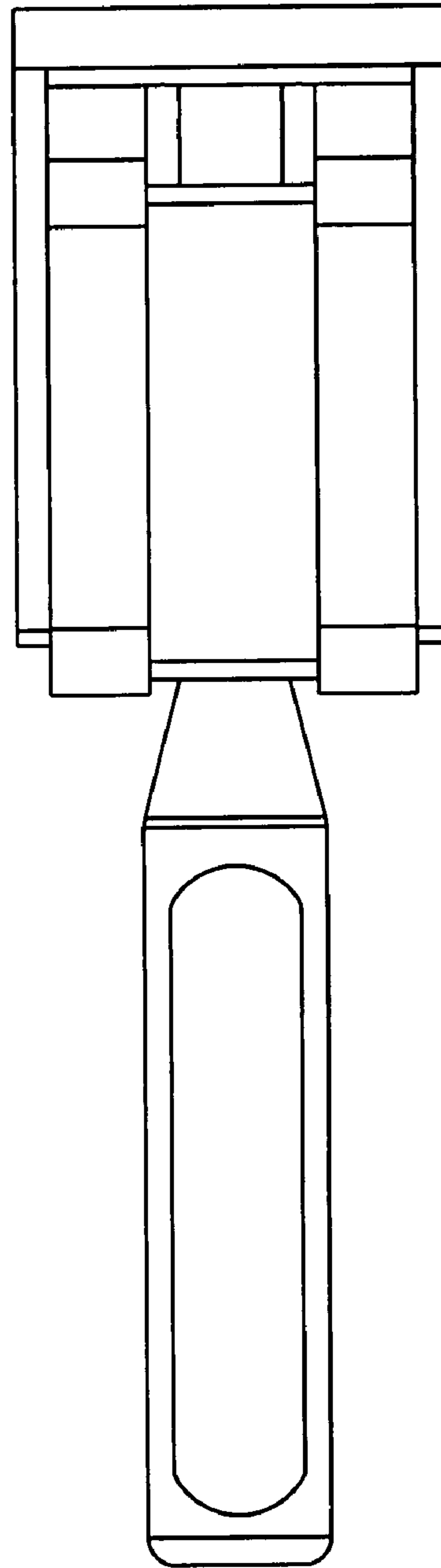


FIGURE 3

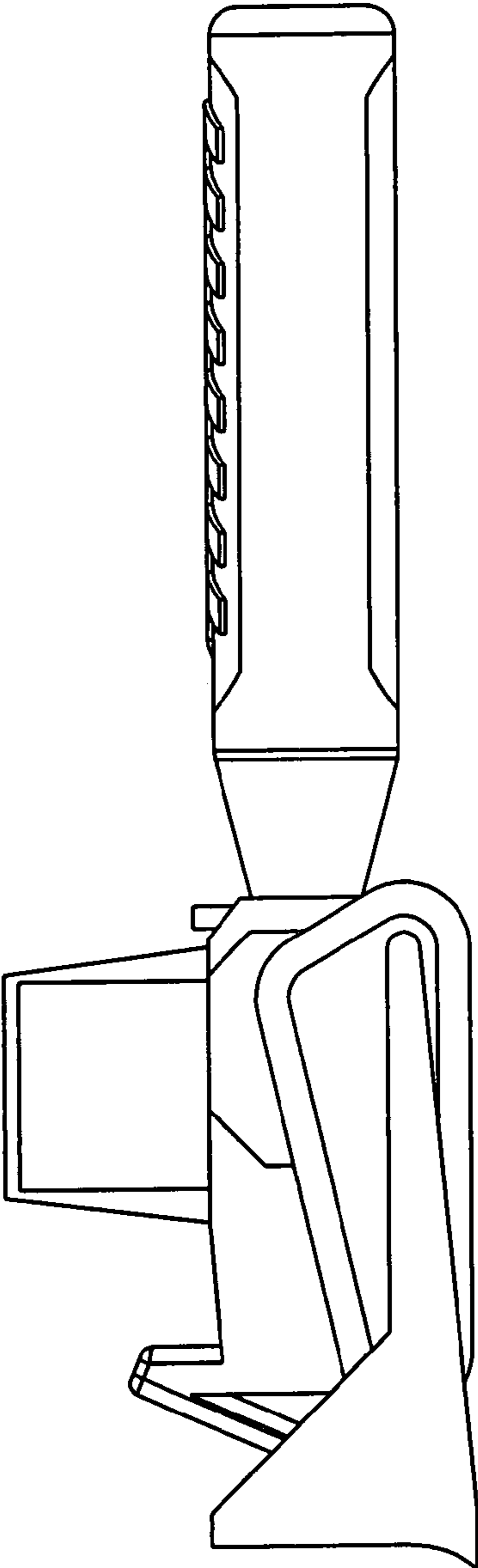


FIGURE 4

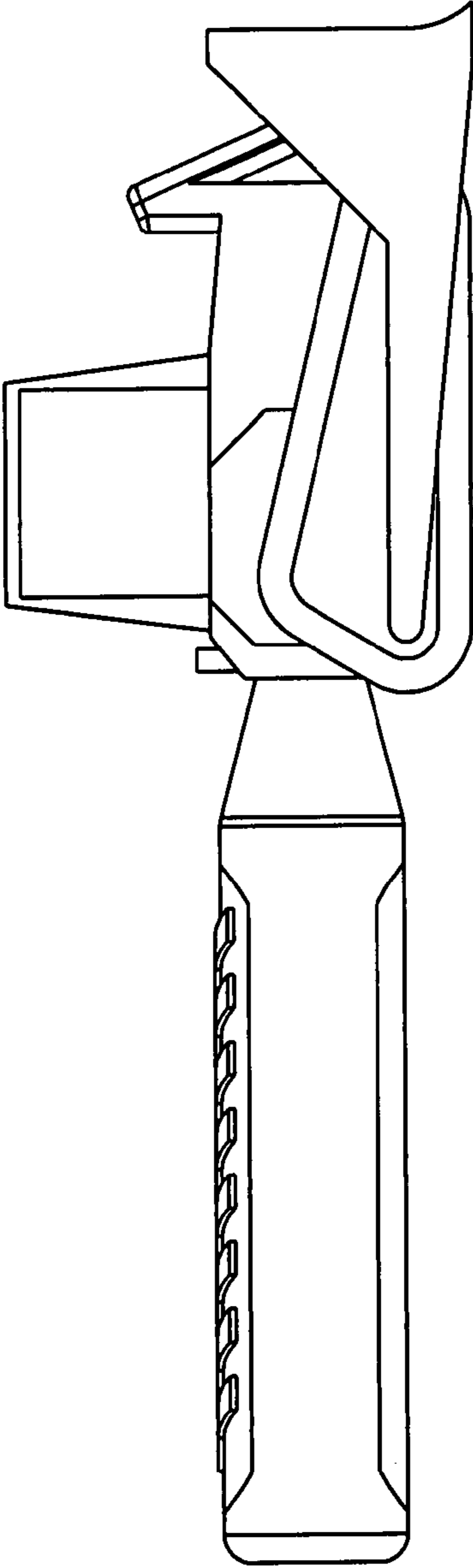


FIGURE 5

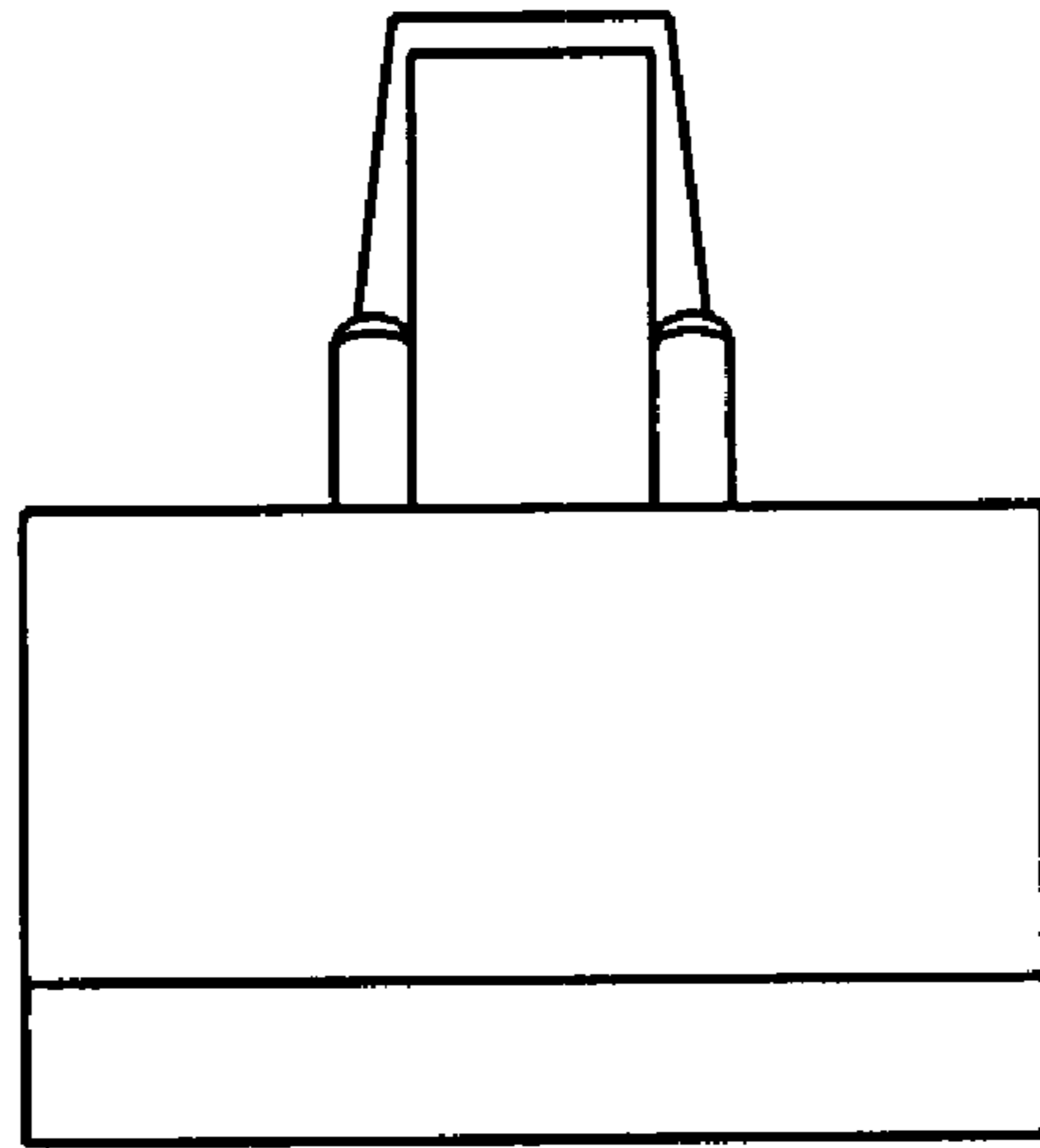


FIGURE 6

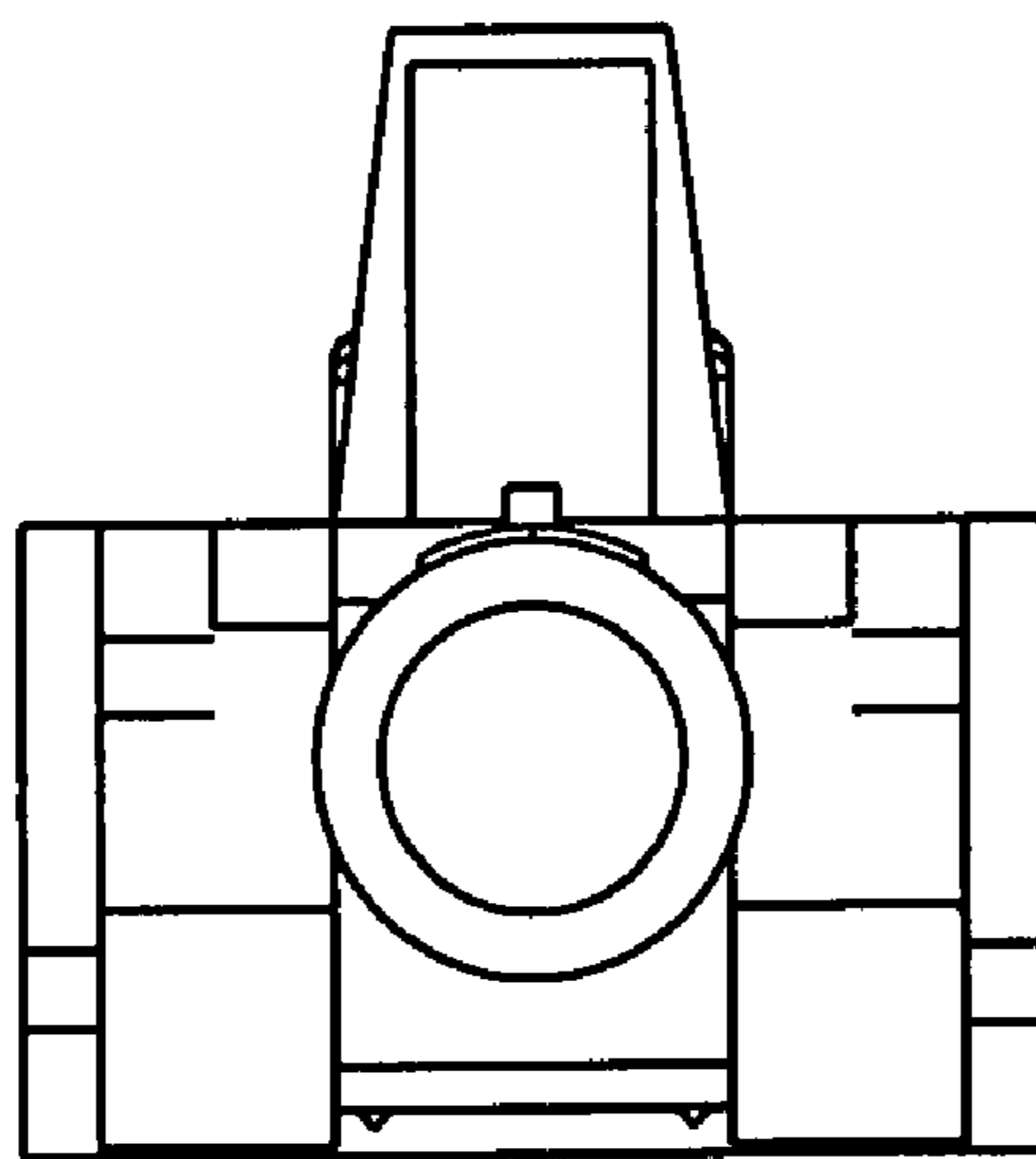


FIGURE 7