



US00D554440S

(12) **United States Design Patent**  
**Malcolm et al.**

(10) **Patent No.:** **US D554,440 S**  
(45) **Date of Patent:** **\*\* Nov. 6, 2007**

(54) **SPOON WITH INTEGRATED CONSTRUCTION MACHINE**

(76) Inventors: **Carter Trent Malcolm**, 1733 Foxdale La., Ann Arbor, MI (US) 48108;  
**Jacqueline Kay Malcolm**, 1733 Foxdale La., Ann Arbor, MI (US) 48108

(\*\*) Term: **14 Years**

(21) Appl. No.: **29/258,543**

(22) Filed: **Apr. 25, 2006**

(51) **LOC (8) Cl.** ..... **07-03**

(52) **U.S. Cl.** ..... **D7/653**

(58) **Field of Classification Search** ..... D7/393, D7/395, 401.2, 642-645, 653-668, 683-687; 30/147-150, 322-328; 294/1.1, 11, 16, 33, 294/99.1, 99.2, 100, 106, 118, 119; 222/191; D34/34; D8/24, 83, 107; D21/556; D4/107  
See application file for complete search history.

(56) **References Cited**

**U.S. PATENT DOCUMENTS**

- D193,018 S \* 6/1962 Larsen ..... D7/655
- D302,090 S \* 7/1989 Bergman ..... D7/655
- D302,091 S \* 7/1989 Bergman ..... D7/655
- D310,944 S 10/1990 Lutzker

- 5,655,303 A \* 8/1997 Janczak ..... 30/326
- D404,260 S \* 1/1999 Lake et al. .... D7/655
- D404,261 S \* 1/1999 Lake et al. .... D7/655
- D407,274 S 3/1999 Lake et al.
- D437,740 S 2/2001 Manion et al.
- D533,038 S \* 12/2006 Hsu ..... D8/24

\* cited by examiner

*Primary Examiner*—Mimosa De  
*Assistant Examiner*—Ricky Pham

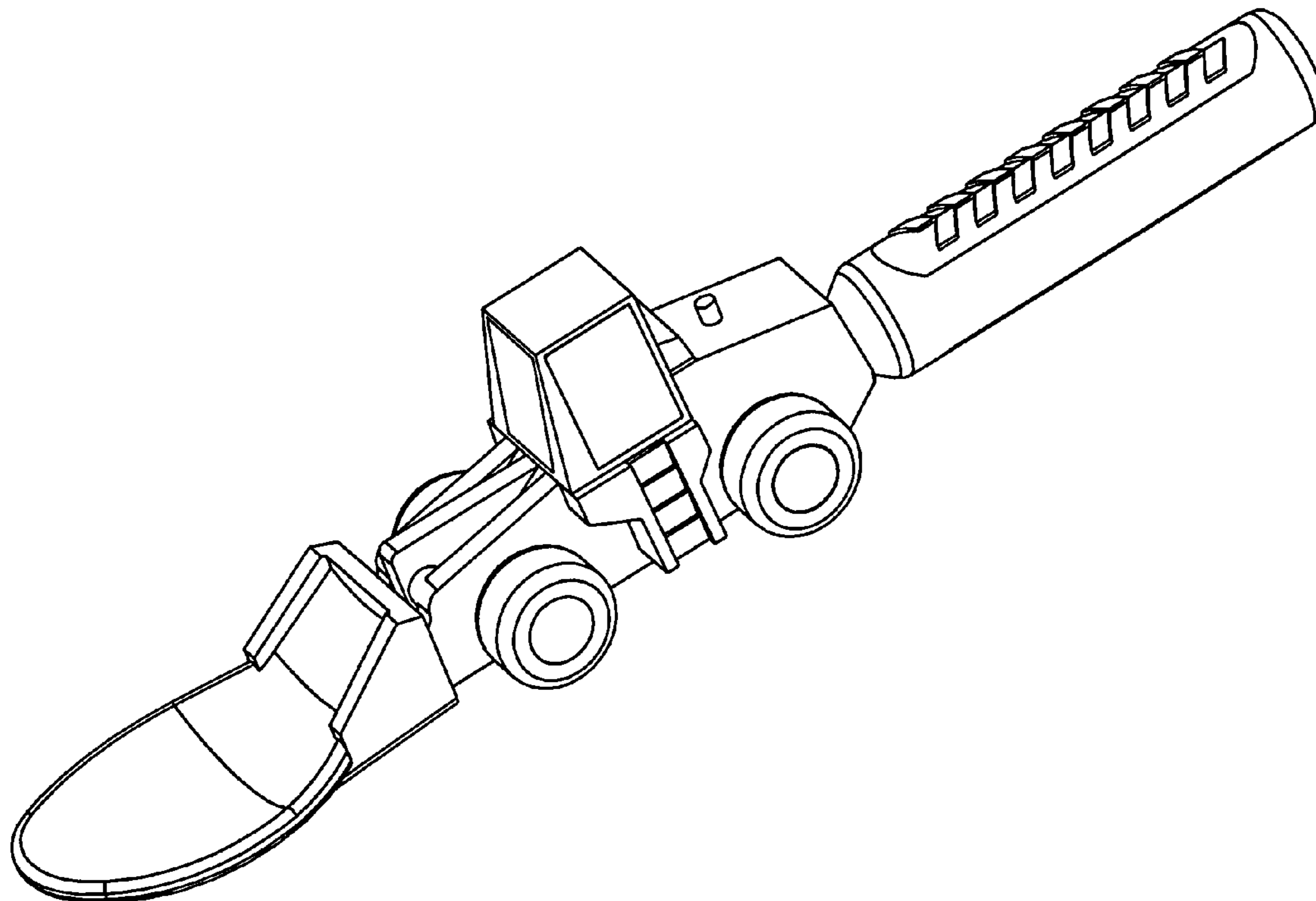
(57) **CLAIM**

The ornamental design for the spoon with integrated construction machine, as shown.

**DESCRIPTION**

FIG. 1 is a perspective view of the spoon with integrated construction machine;  
FIG. 2 is a top plan thereof;  
FIG. 3 is a bottom plan view thereof;  
FIG. 4 is a right side elevational view thereof;  
FIG. 5 is a left side elevational view thereof;  
FIG. 6 is a front view thereof; and,  
FIG. 7 is a rear view thereof.

**1 Claim, 4 Drawing Sheets**



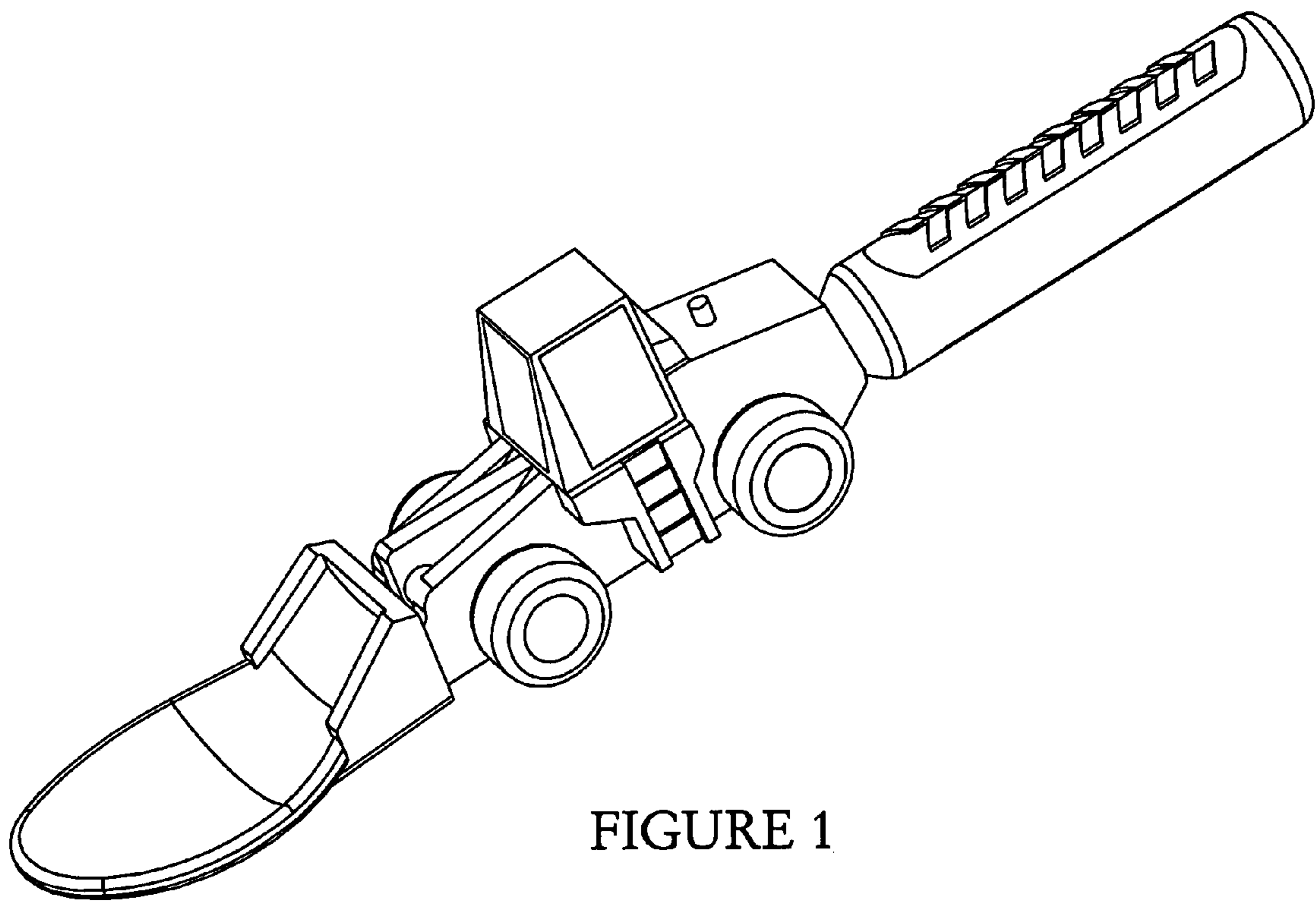


FIGURE 1

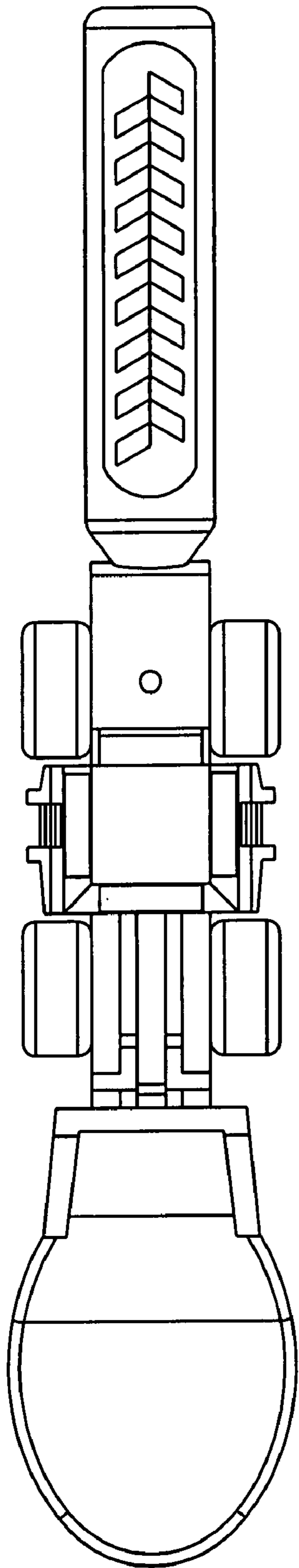


FIGURE 2

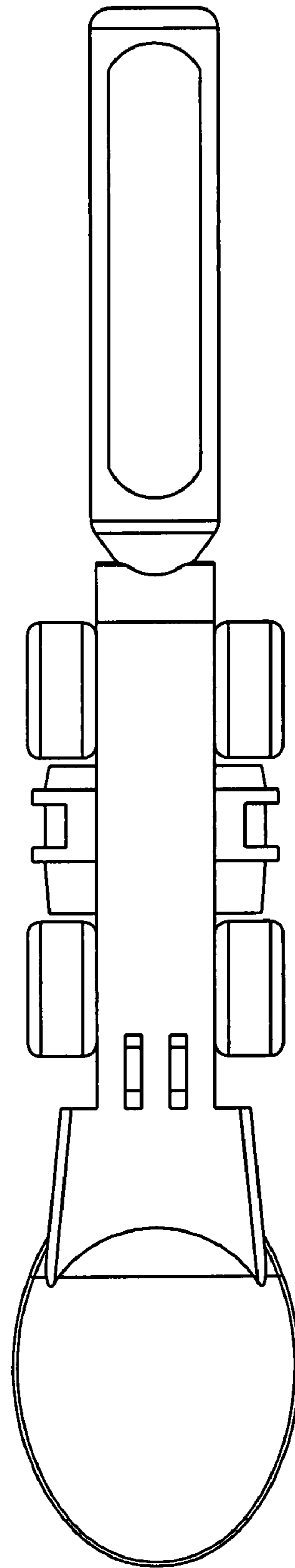


FIGURE 3

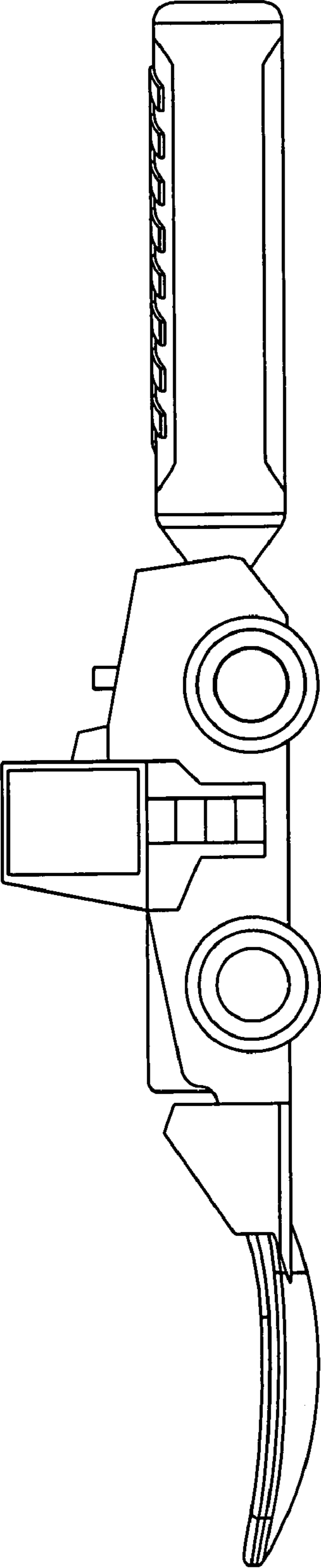


FIGURE 4

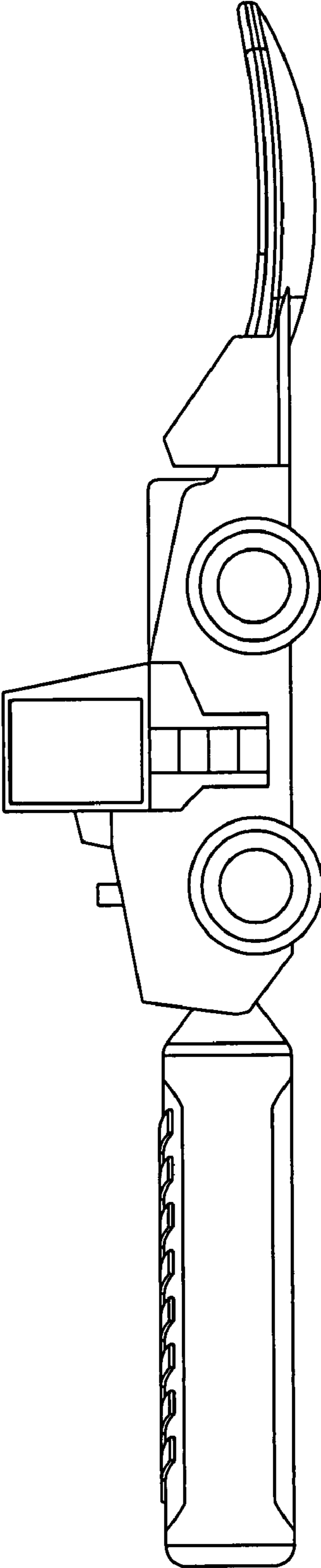


FIGURE 5

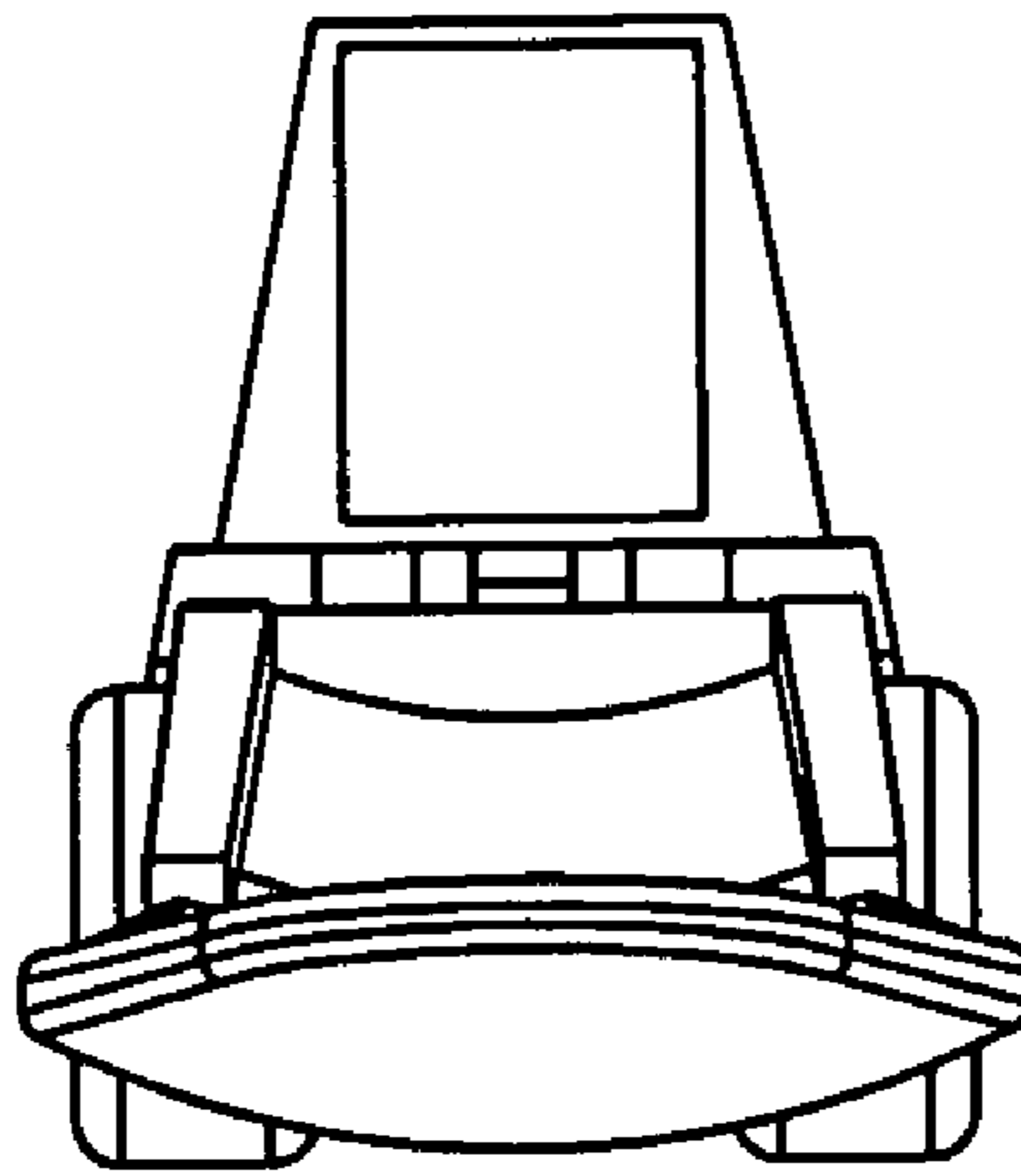


FIGURE 6

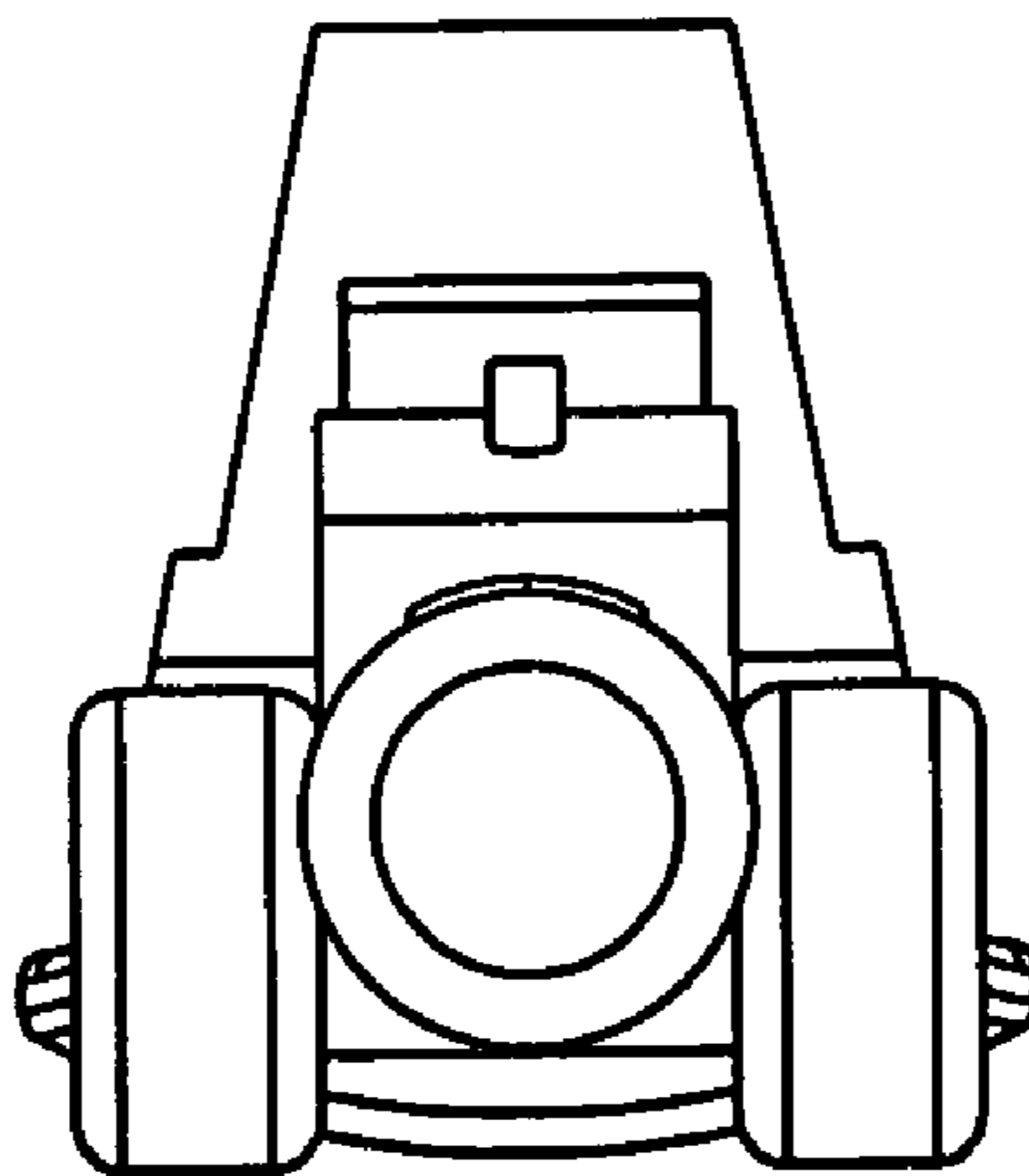


FIGURE 7