



US00D554439S

(12) **United States Design Patent**  
**Malcolm et al.**

(10) **Patent No.:** **US D554,439 S**

(45) **Date of Patent:** **\*\* Nov. 6, 2007**

(54) **FORK WITH INTEGRATED CONSTRUCTION MACHINE**

D404,260 S	1/1999	Lake et al.	
D404,261 S	1/1999	Lake et al.	
D407,274 S	3/1999	Lake et al.	
D437,740 S	2/2001	Manion et al.	
D533,038 S	* 12/2006	Hsu	..... D8/24

(76) Inventors: **Carter Trent Malcolm**, 1733 Foxdale La., Ann Arbor, MI (US) 48108;  
**Jacqueline Kay Malcolm**, 1733 Foxdale La., Ann Arbor, MI (US) 48108

\* cited by examiner

(\*\*) Term: **14 Years**

*Primary Examiner*—Mimosa De  
*Assistant Examiner*—Ricky Pham

(21) Appl. No.: **29/258,542**

(57) **CLAIM**

(22) Filed: **Apr. 25, 2006**

The ornamental design for the fork with integrated construction machine, as shown.

(51) **LOC (8) Cl.** ..... **07-03**

(52) **U.S. Cl.** ..... **D7/653**

(58) **Field of Classification Search** ..... D7/393,  
D7/395, 401.2, 642–645, 653–668, 683–687;  
30/147–150, 322–328; 294/1.1, 11, 16, 33,  
294/99.1, 99.2, 100, 106, 118, 119; 222/191;  
D34/34; D8/24, 83, 107; D21/556; D4/107  
See application file for complete search history.

**DESCRIPTION**

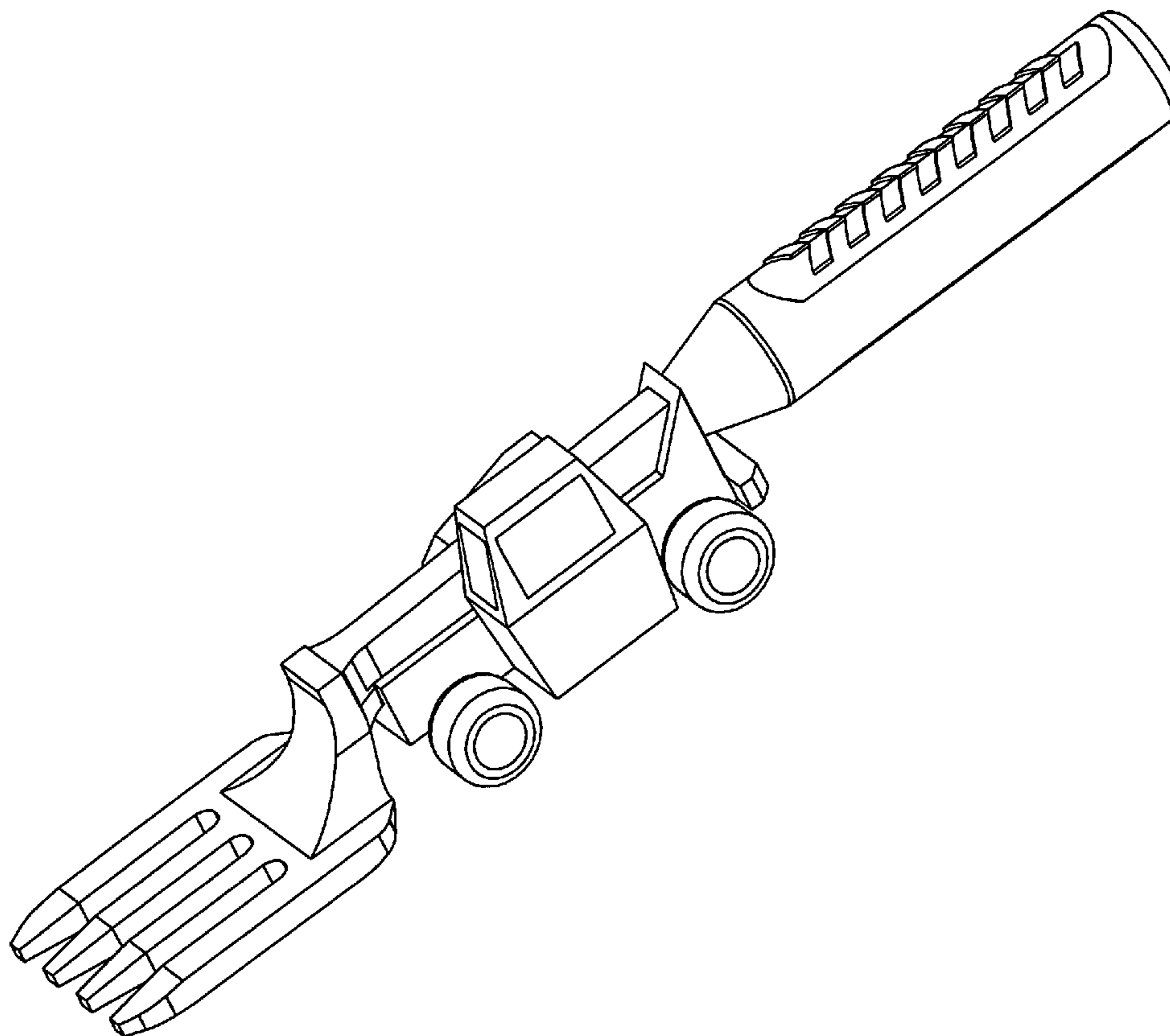
(56) **References Cited**

**U.S. PATENT DOCUMENTS**

2,732,187 A	*	1/1956	Benetdetto	.....	222/191
D231,721 S	*	6/1974	Pearson	.....	D7/655
D310,944 S		10/1990	Lutzker		

FIG. 1 is a perspective view of the fork with integrated construction machine;  
FIG. 2 is a top plan thereof;  
FIG. 3 is a bottom plan view thereof;  
FIG. 4 is a right side elevational view thereof;  
FIG. 5 is a left side elevational view thereof;  
FIG. 6 is a front view thereof; and,  
FIG. 7 is a rear view thereof.

**1 Claim, 4 Drawing Sheets**



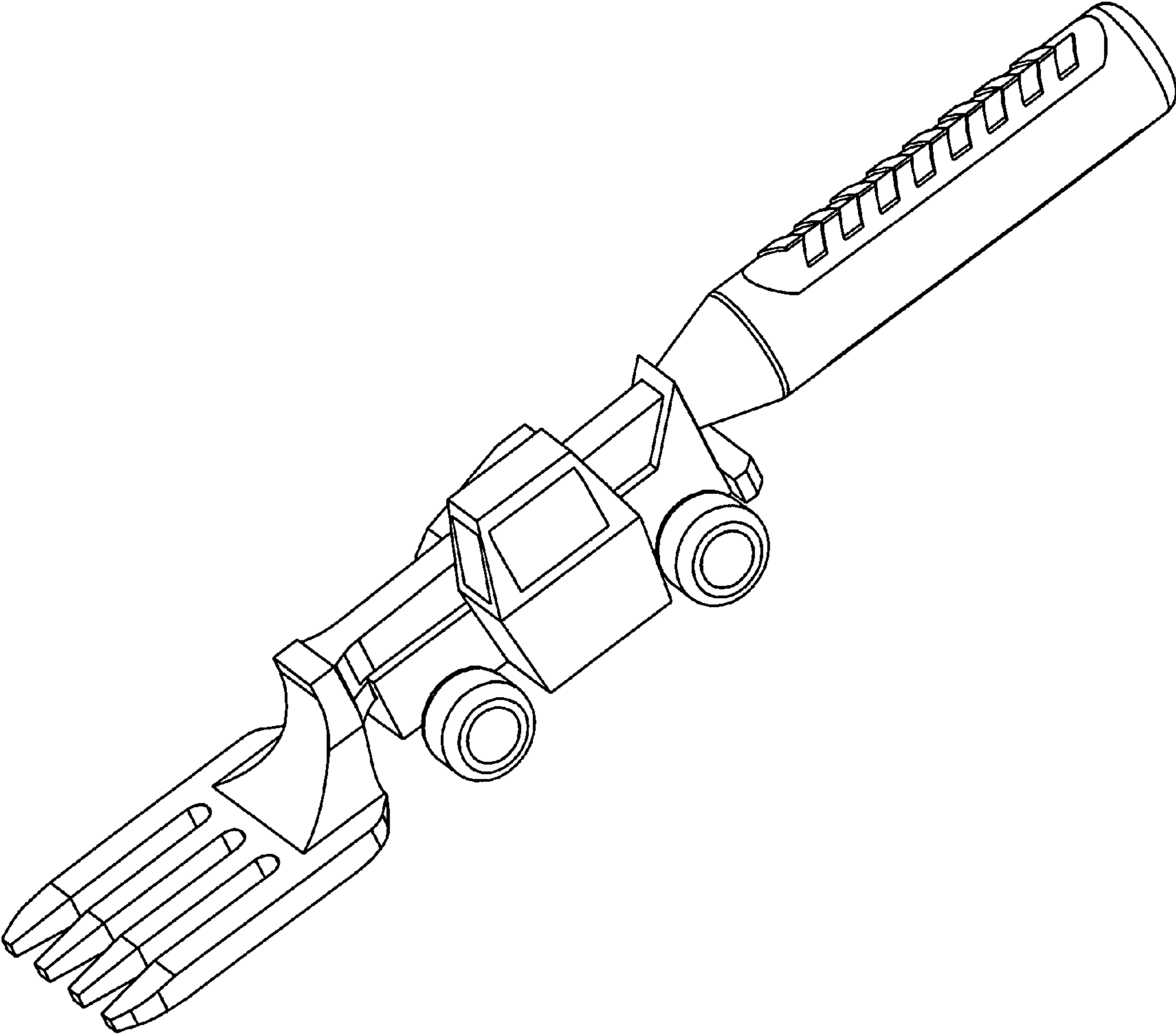


FIGURE 1

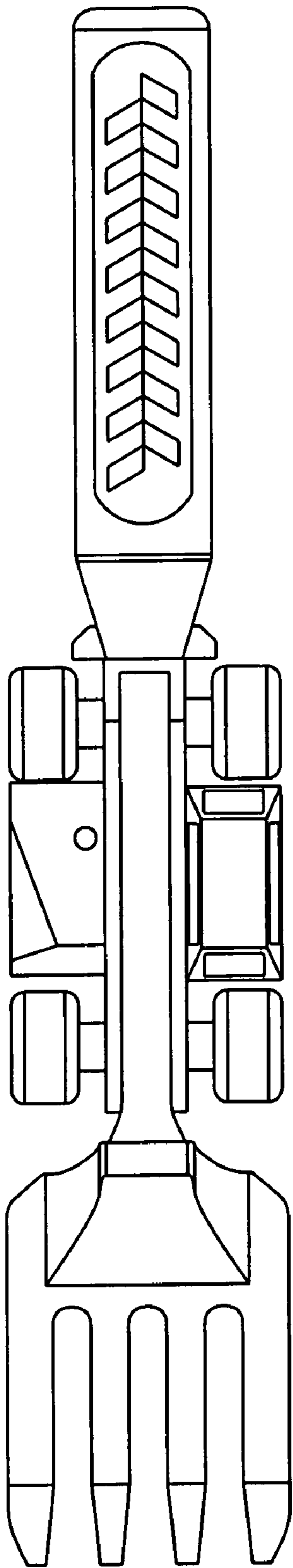


FIGURE 2

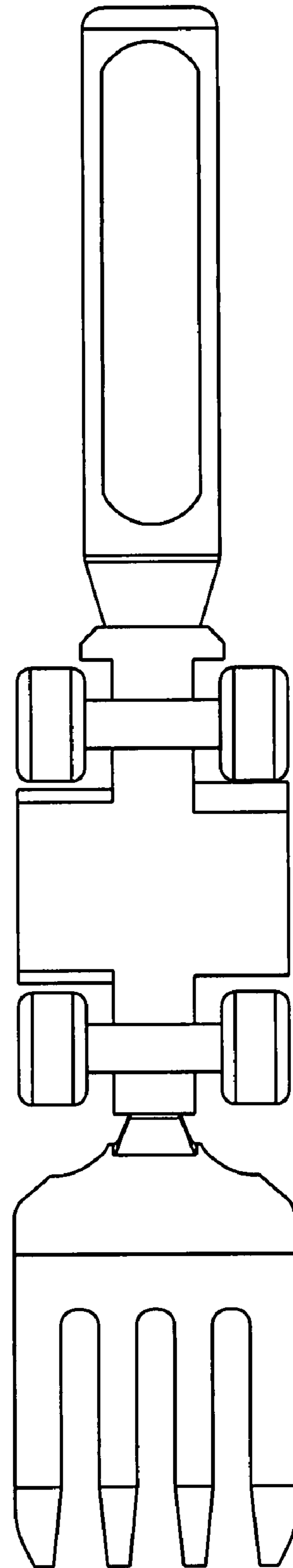


FIGURE 3

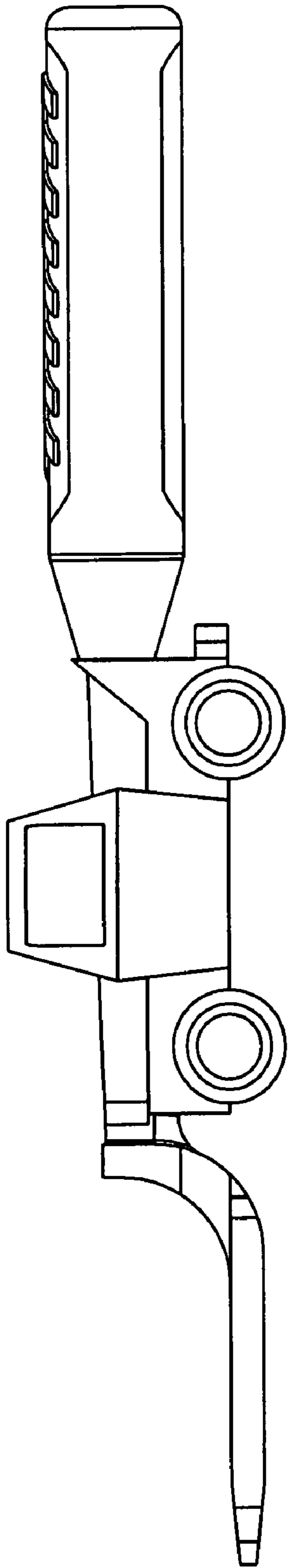


FIGURE 4

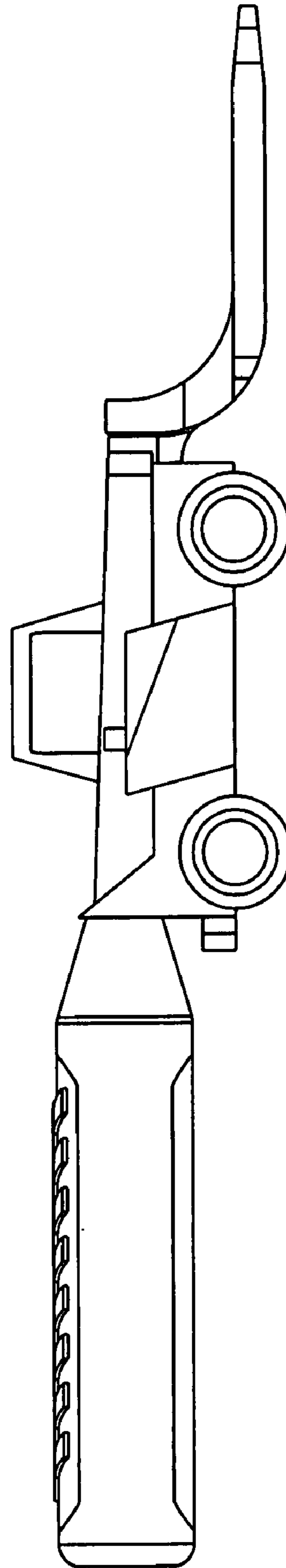


FIGURE 5

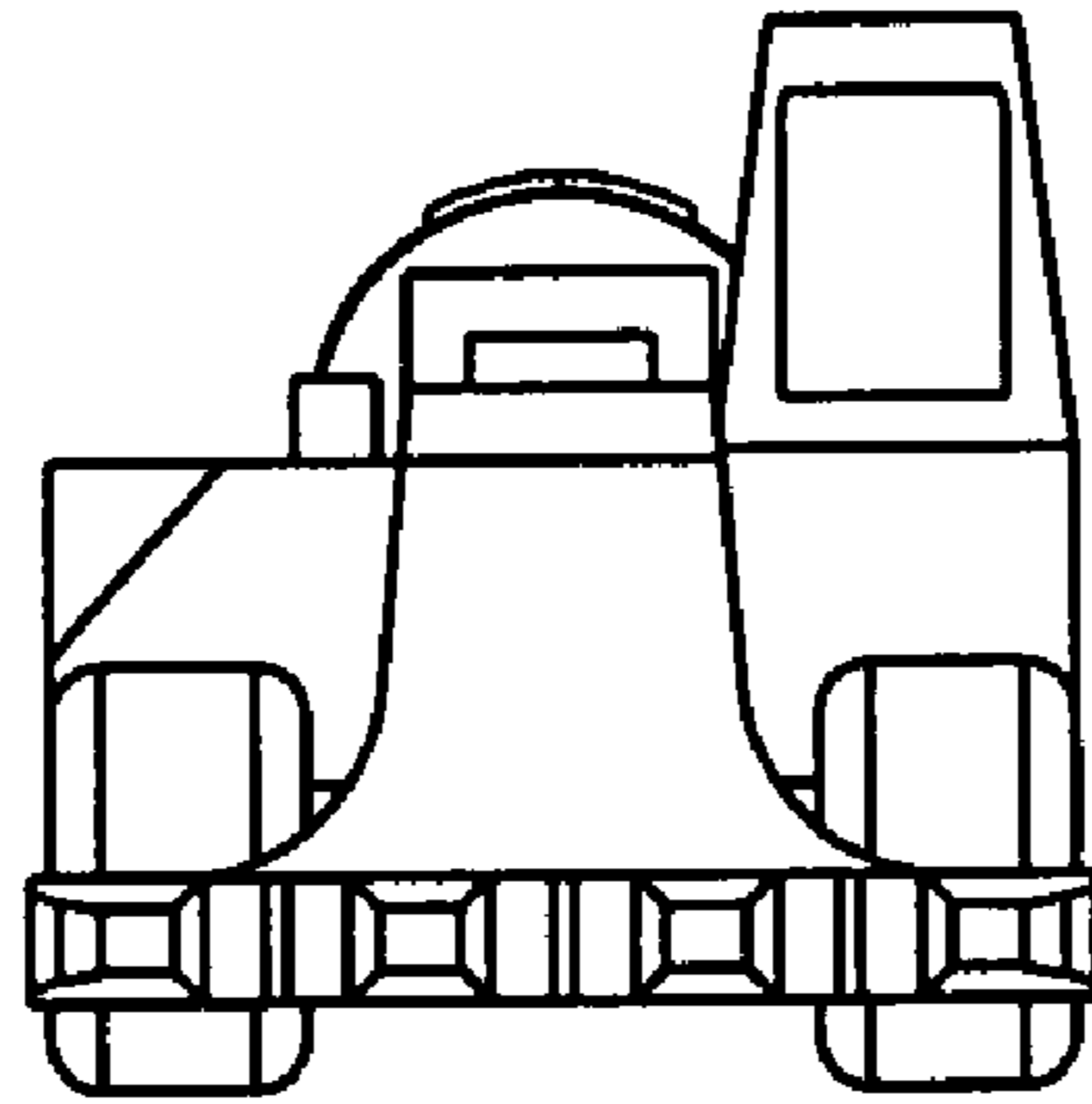


FIGURE 6

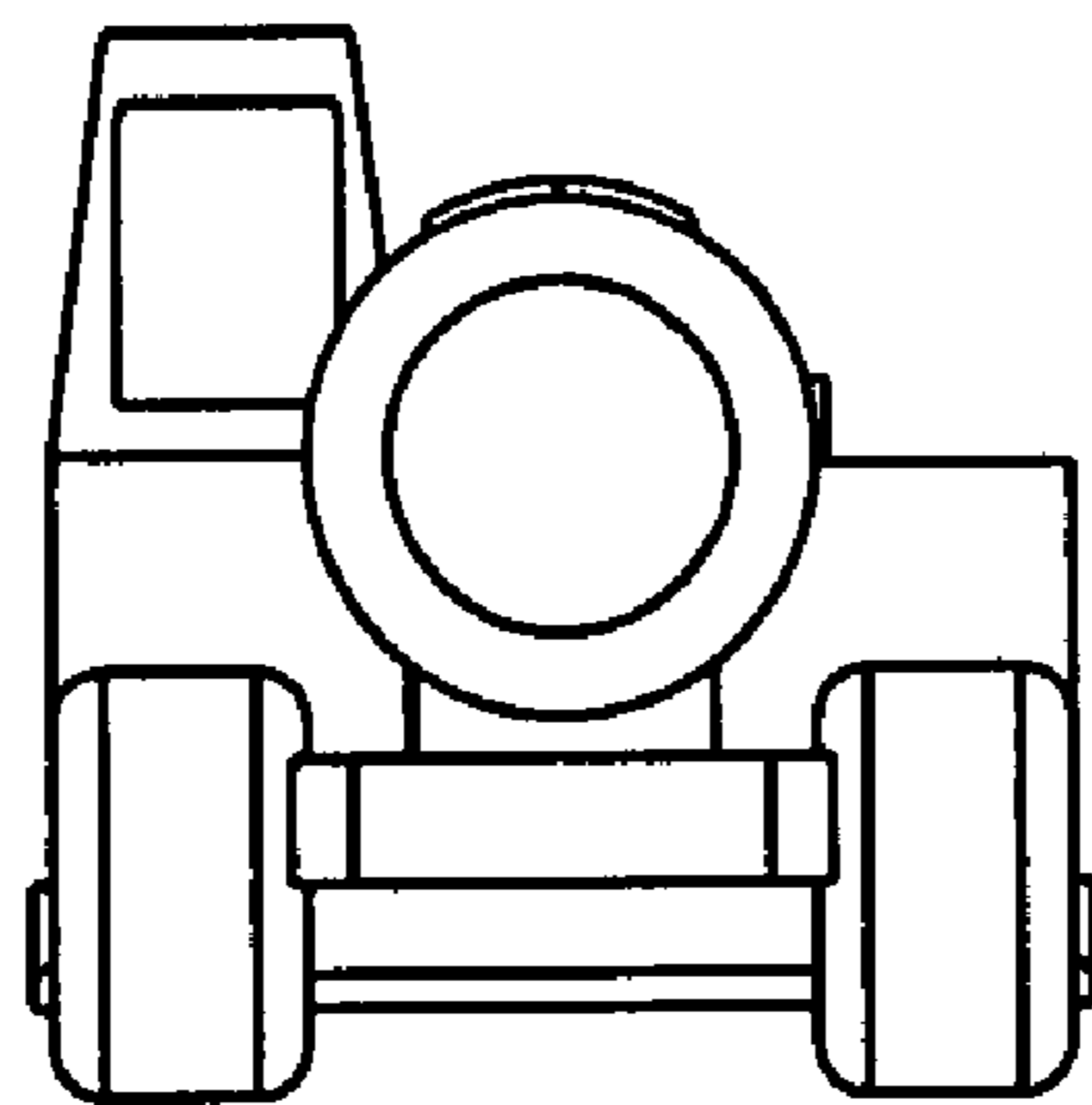


FIGURE 7