



US00D554434S

(12) **United States Design Patent** (10) **Patent No.:** **US D554,434 S**  
**Morrison et al.** (45) **Date of Patent:** **\*\* Nov. 6, 2007**

(54) **CUP WITH SWIRL PATTERN**  
(75) Inventors: **Scott Morrison**, Mount Kisco, NY  
(US); **Victoria Morrison**, Mount Kisco,  
NY (US)  
(73) Assignee: **Huhtamaki Company Manufacturing**,  
DeSoto, KS (US)  
(\*\*) Term: **14 Years**

D383,942 S \* 9/1997 Rench et al. .... D7/529  
D401,122 S \* 11/1998 Rench et al. .... D7/624.2  
D423,879 S \* 5/2000 Lin ..... D7/529  
D477,750 S \* 7/2003 Chuang ..... D7/529  
D479,950 S \* 9/2003 Lin ..... D7/529  
D480,270 S \* 10/2003 Hou ..... D7/529  
D486,694 S \* 2/2004 McMullin ..... D7/529  
D489,940 S \* 5/2004 Gluck ..... D7/523  
D509,109 S \* 9/2005 Vovan ..... D7/602  
D510,843 S \* 10/2005 Vovan ..... D7/584  
D512,270 S \* 12/2005 Harris et al. .... D7/529

(21) Appl. No.: **29/247,998**  
(22) Filed: **Jul. 25, 2006**

\* cited by examiner

(51) **LOC (8) Cl.** ..... **07-01**  
(52) **U.S. Cl.** ..... **D7/529; D7/523; D7/509**  
(58) **Field of Classification Search** ..... D7/396.2,  
D7/500, 509, 510, 523, 524, 526-528, 530-532,  
D7/540, 565, 584, 900, 525, 529; D9/500,  
D9/502, 516, 519, 549, 555, 776, 778, 429;  
D34/1; 215/10, 387, DIG. 7; 220/495.04,  
220/560, 592.16, 592.17, 703; 226/406;  
229/400; 383/110

*Primary Examiner*—Philip S. Hyder  
*Assistant Examiner*—Cynthia Underwood  
(74) *Attorney, Agent, or Firm*—Blackwell Sanders LLP

See application file for complete search history.

(56) **References Cited**

(57) **CLAIM**

**U.S. PATENT DOCUMENTS**

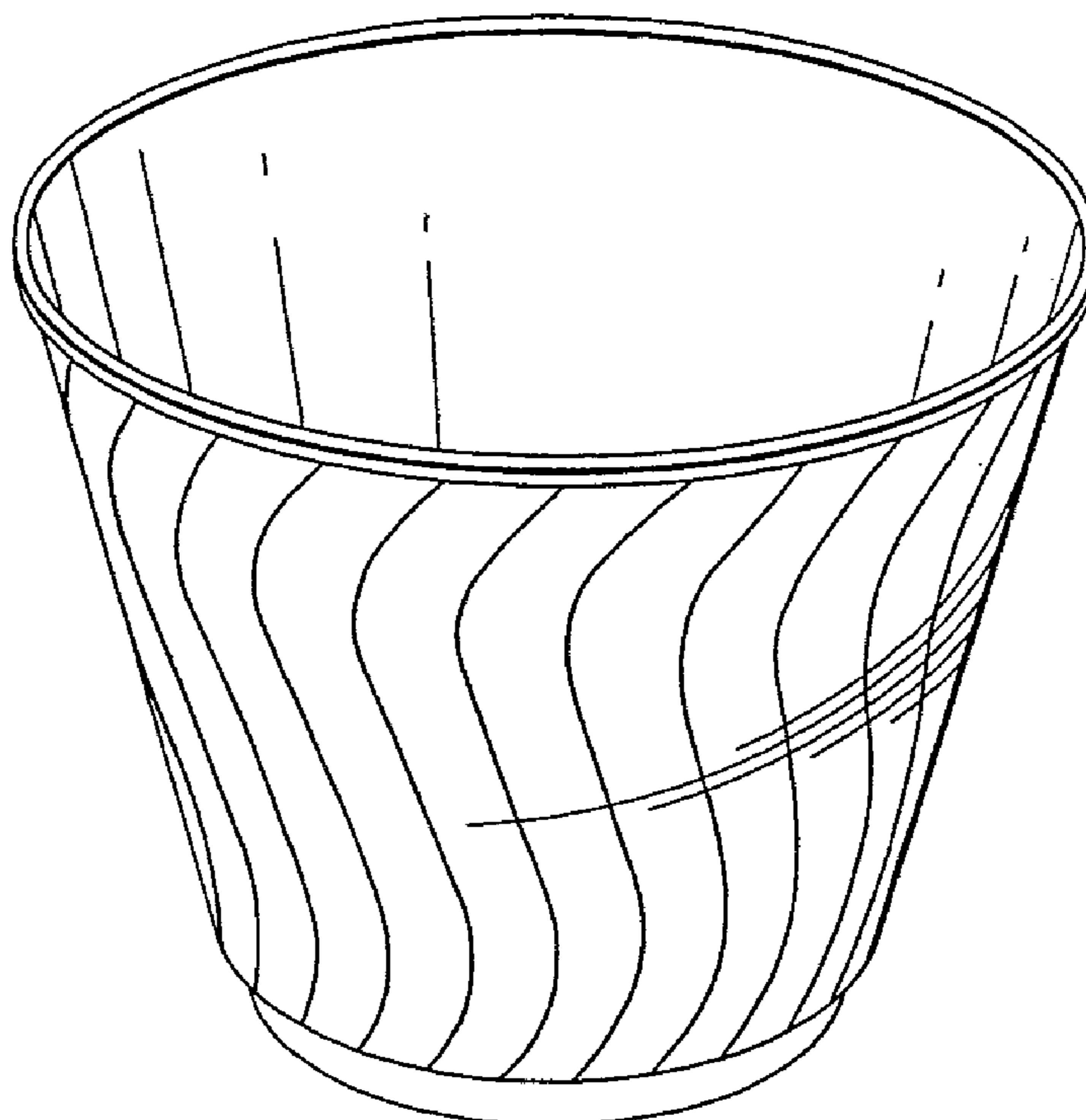
The ornamental design for a cup with swirl pattern, as shown and described.

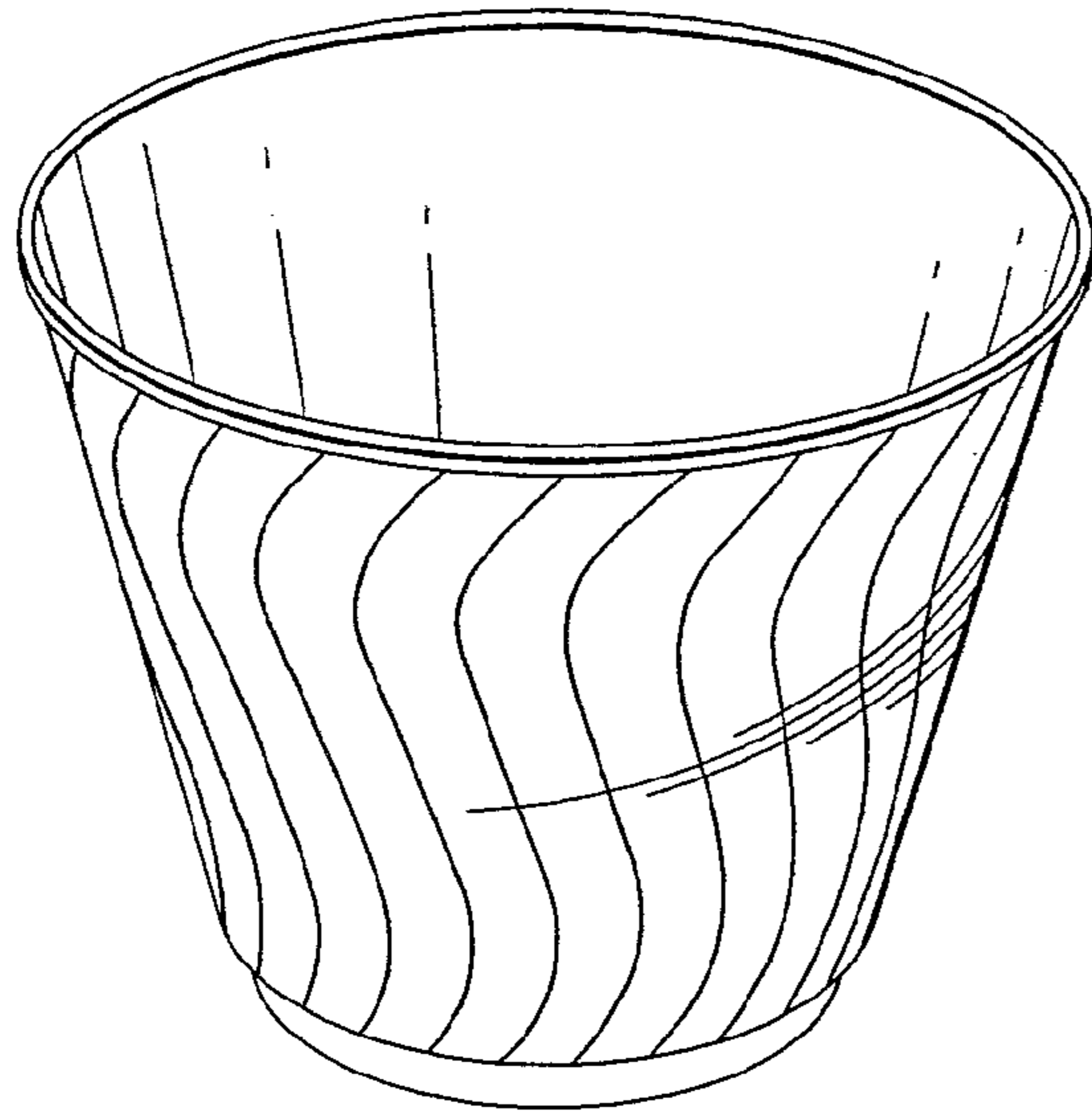
**DESCRIPTION**

D196,334 S \* 9/1963 Fibish ..... D9/429  
3,495,736 A \* 2/1970 Ragetti ..... 220/670

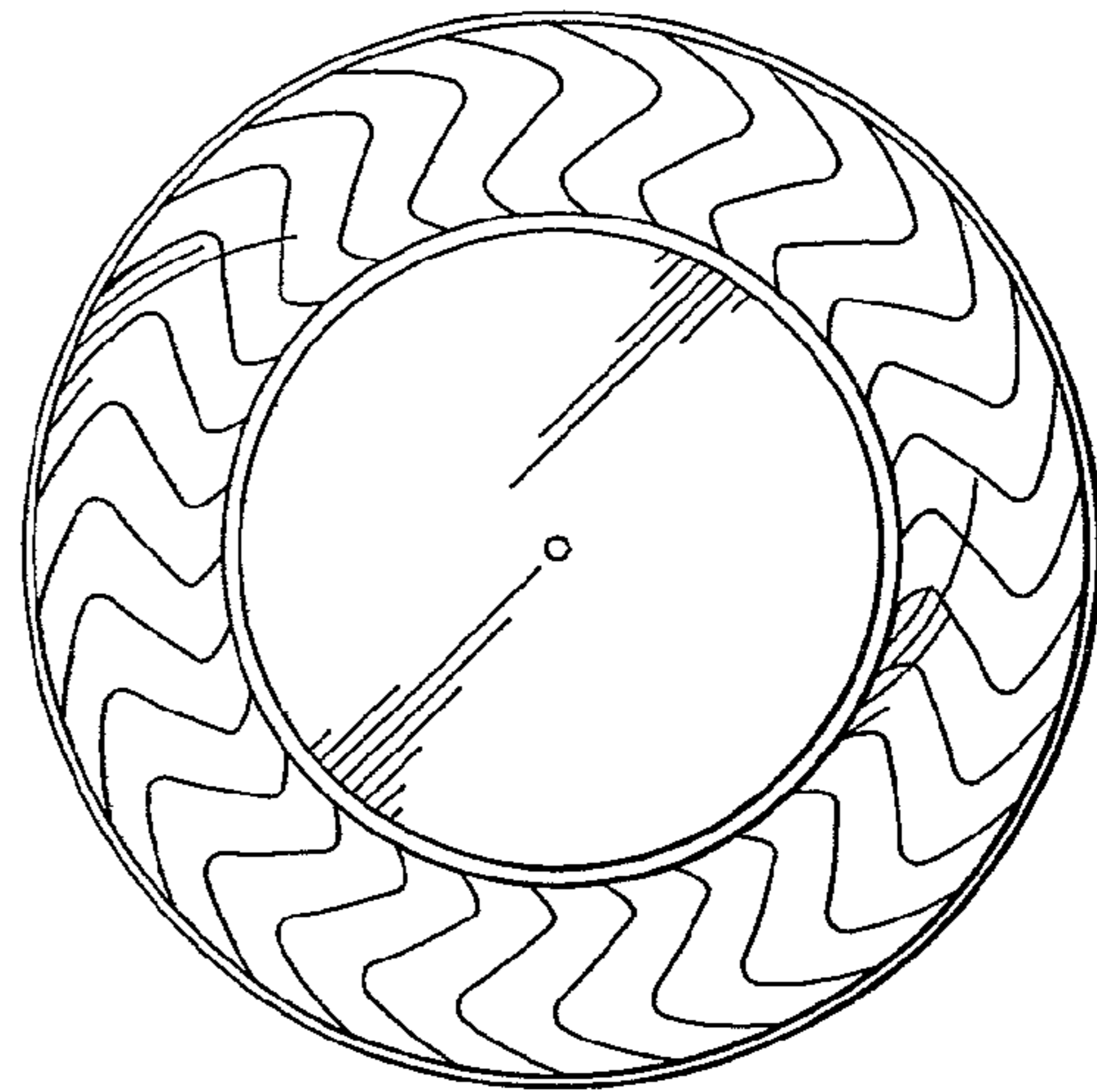
FIG. 1 is a perspective view of a cup with swirl pattern embodying my new design;  
FIG. 2 is a bottom plan view thereof;  
FIG. 3 is a top plan view thereof; and,  
FIG. 4 is a side elevational view thereof.

**1 Claim, 1 Drawing Sheet**

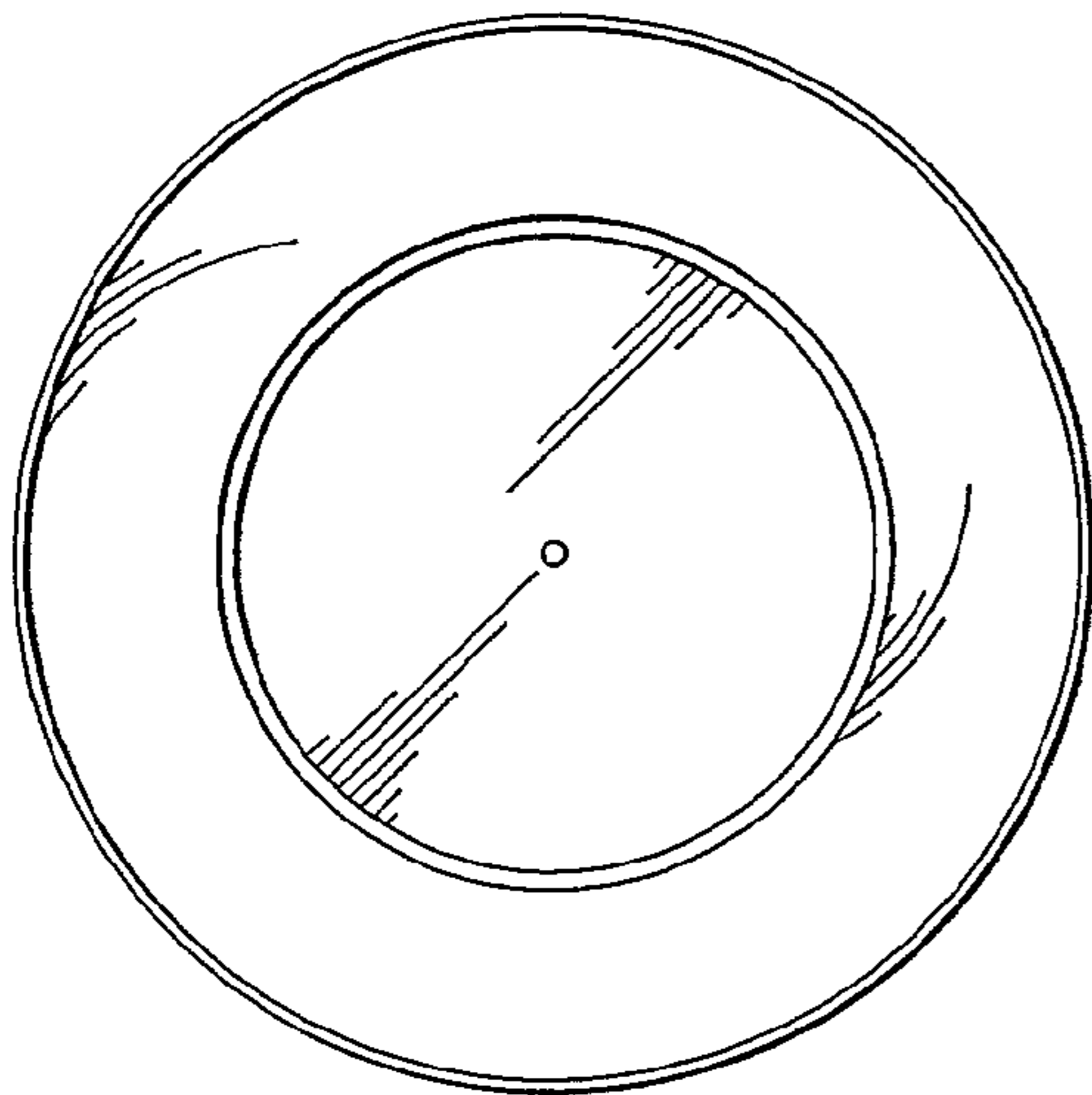




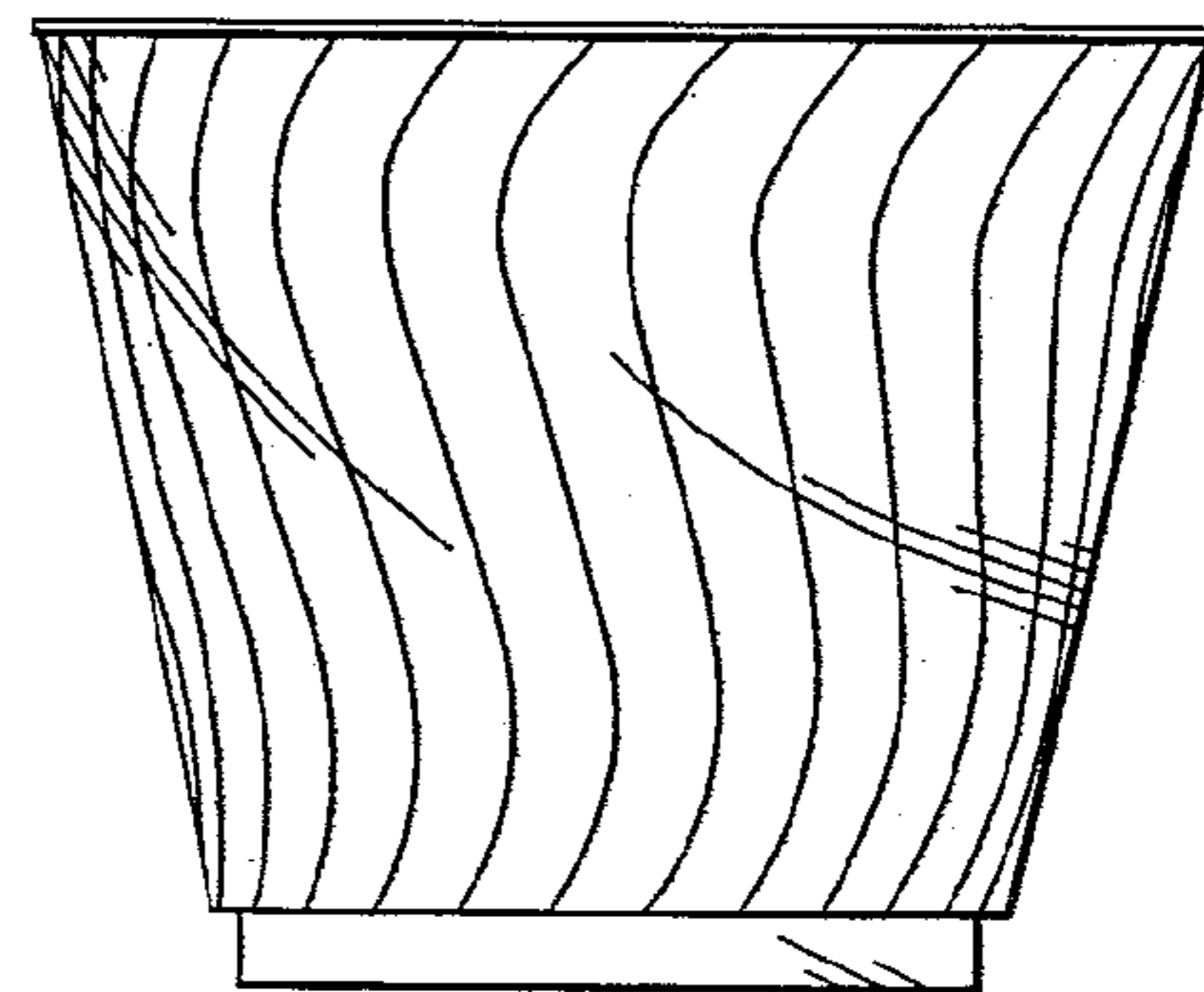
*FIG. 1.*



*FIG. 2.*



*FIG. 3.*



*FIG. 4.*