



US00D554431S

(12) **United States Design Patent**  
**Tien**

(10) **Patent No.:** **US D554,431 S**

(45) **Date of Patent:** **\*\* Nov. 6, 2007**

(54) **TRANSPARENT MUG**

(75) Inventor: **Kuang-Hsia Tien**, Pasadena, CA (US)

(73) Assignee: **Sweba Company, LLC**, Monrovia, CA (US)

(\*\*) Term: **14 Years**

(21) Appl. No.: **29/231,985**

(22) Filed: **Jun. 13, 2005**

(51) **LOC (8) Cl.** ..... **07-01**

(52) **U.S. Cl.** ..... **D7/509; D7/533; D7/510**

(58) **Field of Classification Search** ..... D7/509-511,  
D7/536, 533, 529, 530, 532, 531, 523, 396.6,  
D7/535, 312, 321, 300, 316-319, 629, 598,  
D7/600, 396.1; 220/713, 715, 737, 739,  
220/711, 703, 592.16, 592.17; 215/387,  
215/DIG. 7, 10; 366/314; D9/537, 530,  
D9/527, 424, 523; 222/480, 475.1, 465.1;  
210/660, 282; D23/209

See application file for complete search history.

(56) **References Cited**

**U.S. PATENT DOCUMENTS**

D454,756 S	*	3/2002	Janky et al.	.....	D7/510
D467,124 S	*	12/2002	Janky	.....	D7/533
D469,309 S	*	1/2003	Janky	.....	D7/510
D477,185 S	*	7/2003	Janky	.....	D7/511
D479,949 S	*	9/2003	Janky	.....	D7/511
D481,591 S	*	11/2003	Lin	.....	D7/533
D486,996 S	*	2/2004	Karp	.....	D7/510
D494,011 S	*	8/2004	Janky et al.	.....	D7/533

D507,151 S	*	7/2005	Schuler et al.	.....	D7/509
D507,721 S	*	7/2005	Schuler et al.	.....	D7/509
D510,234 S	*	10/2005	Schuler et al.	.....	D7/509
D514,885 S	*	2/2006	Schuler et al.	.....	D7/509
D519,320 S	*	4/2006	Festa	.....	D7/509
D519,782 S	*	5/2006	Schuler et al.	.....	D7/509
D529,338 S	*	10/2006	Poulson et al.	.....	D7/510
D529,761 S	*	10/2006	Trombly	.....	D7/509
D538,597 S	*	3/2007	Kim	.....	D7/510

\* cited by examiner

*Primary Examiner*—M. N. Pandozzi

(74) *Attorney, Agent, or Firm*—Clement Cheng

(57) **CLAIM**

The ornamental design for a transparent mug, as shown and described.

**DESCRIPTION**

FIG. 1 is a perspective view of the transparent mug.

FIG. 2 is a side view.

FIG. 3 is another side view.

FIG. 4 is a top plan view of the lid in a closed position.

FIG. 5 is a top plan view of the lid in open position.

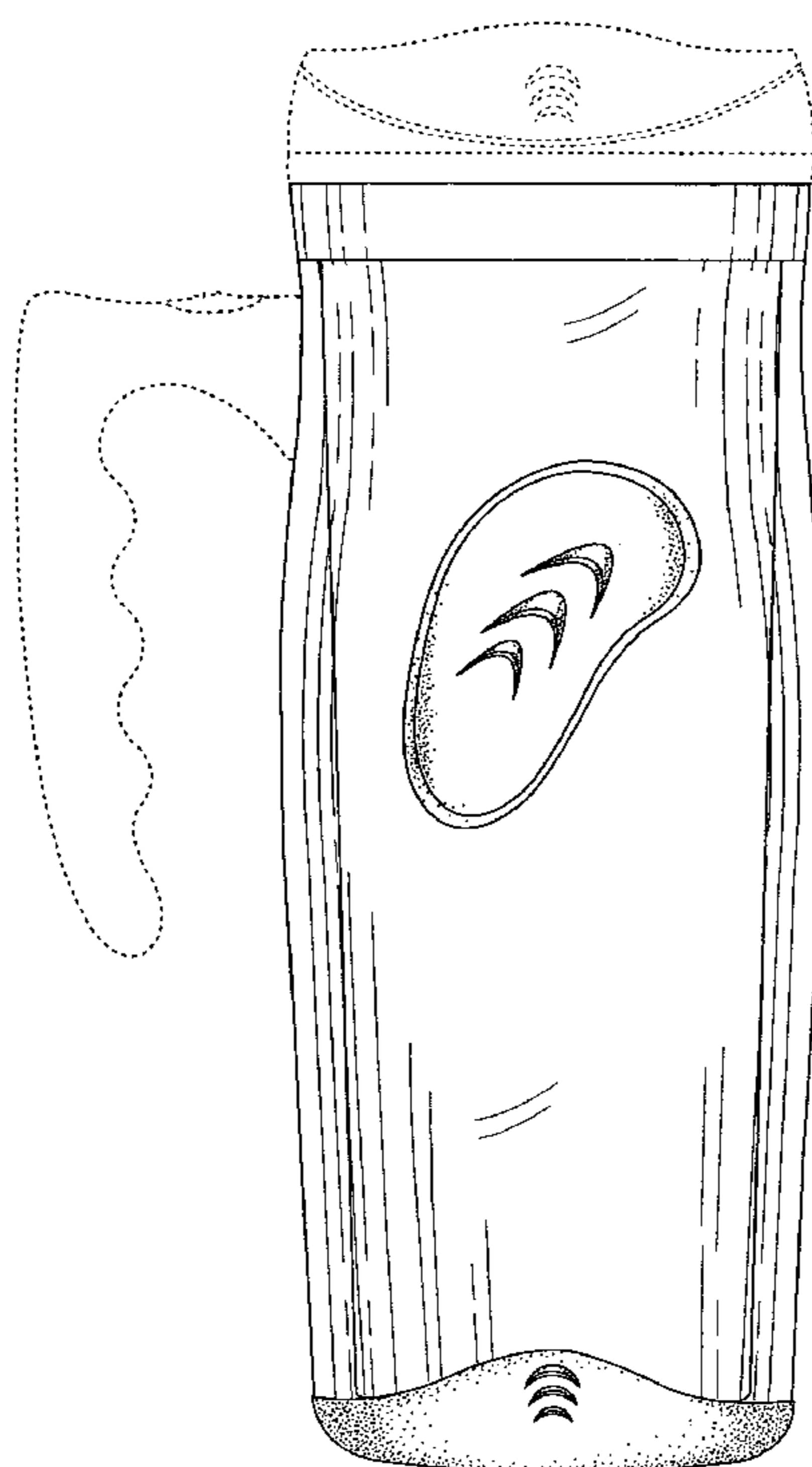
FIG. 6 is a bottom view.

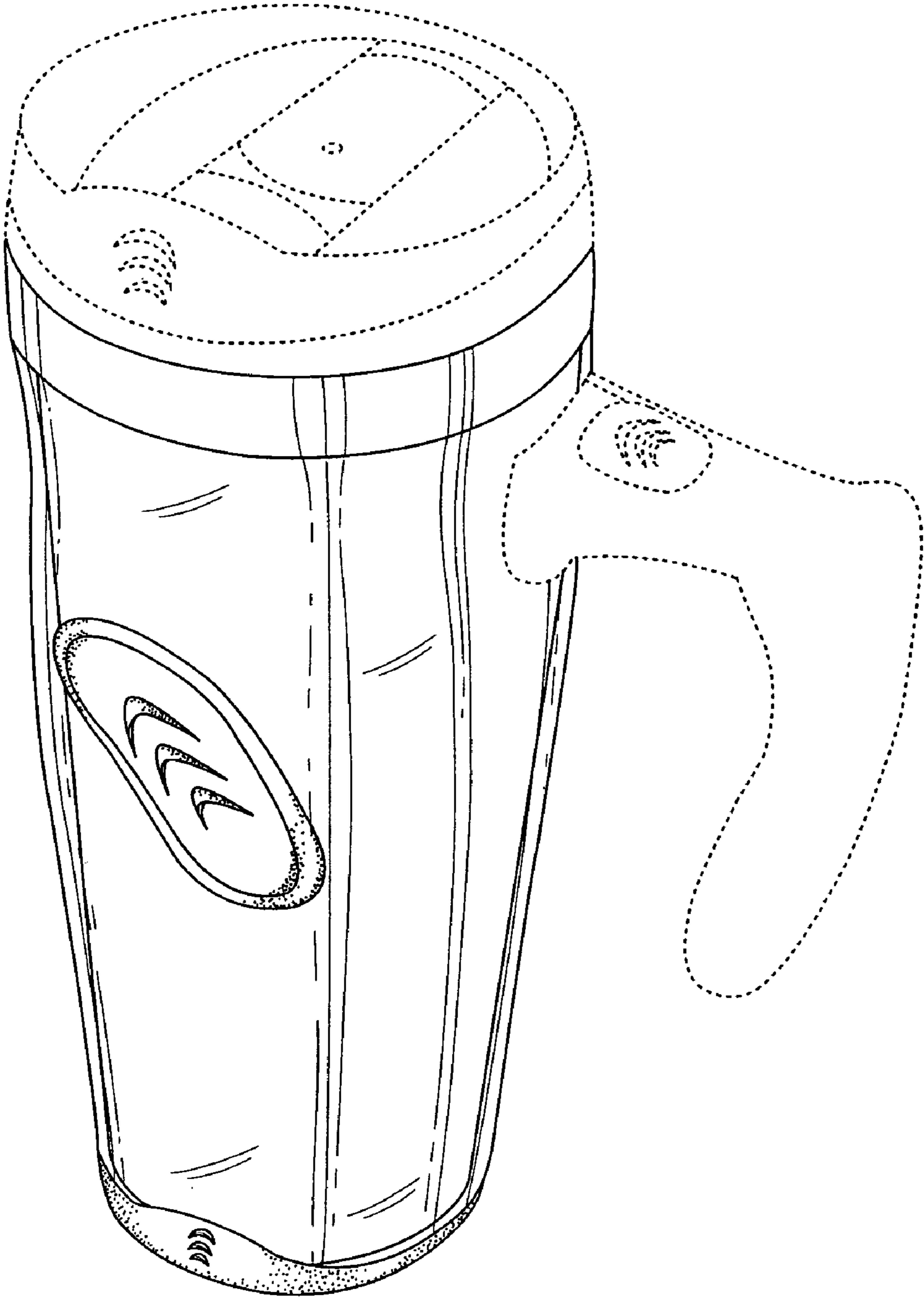
FIG. 7 is a rear view; and,

FIG. 8 is a front view.

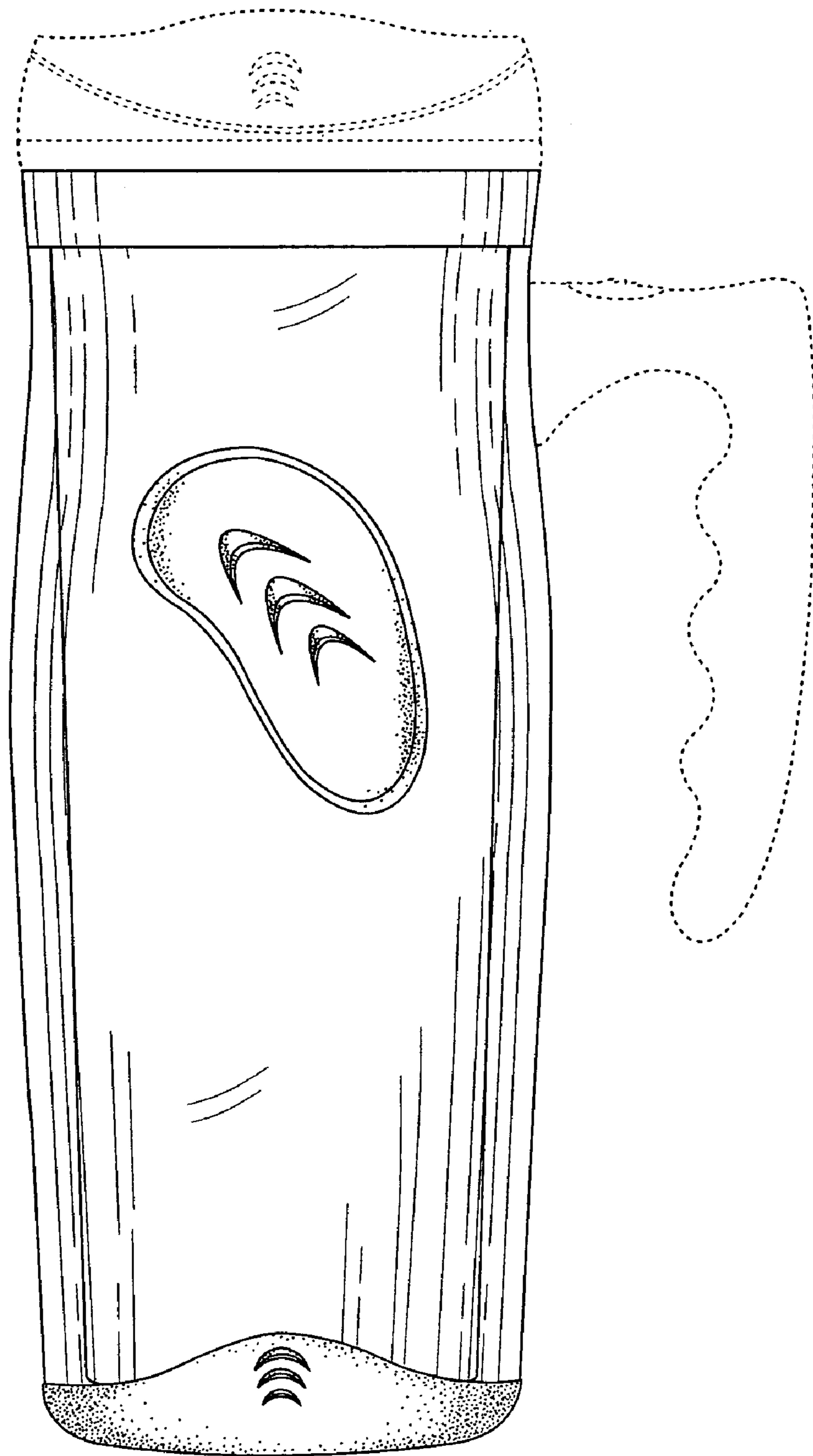
The broken lines in the drawings are included for the purpose of illustration and form no part of the claimed design.

**1 Claim, 6 Drawing Sheets**

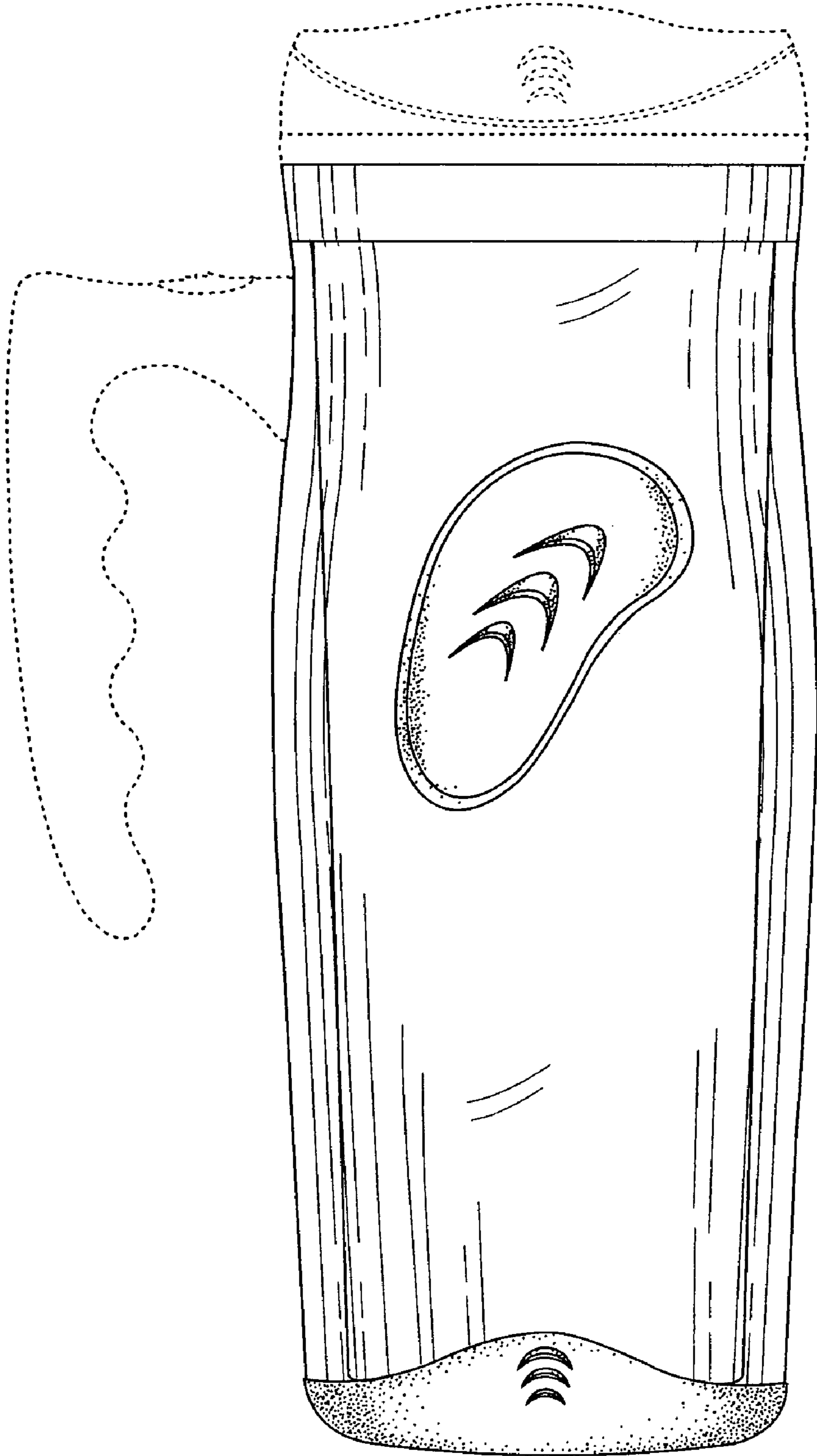




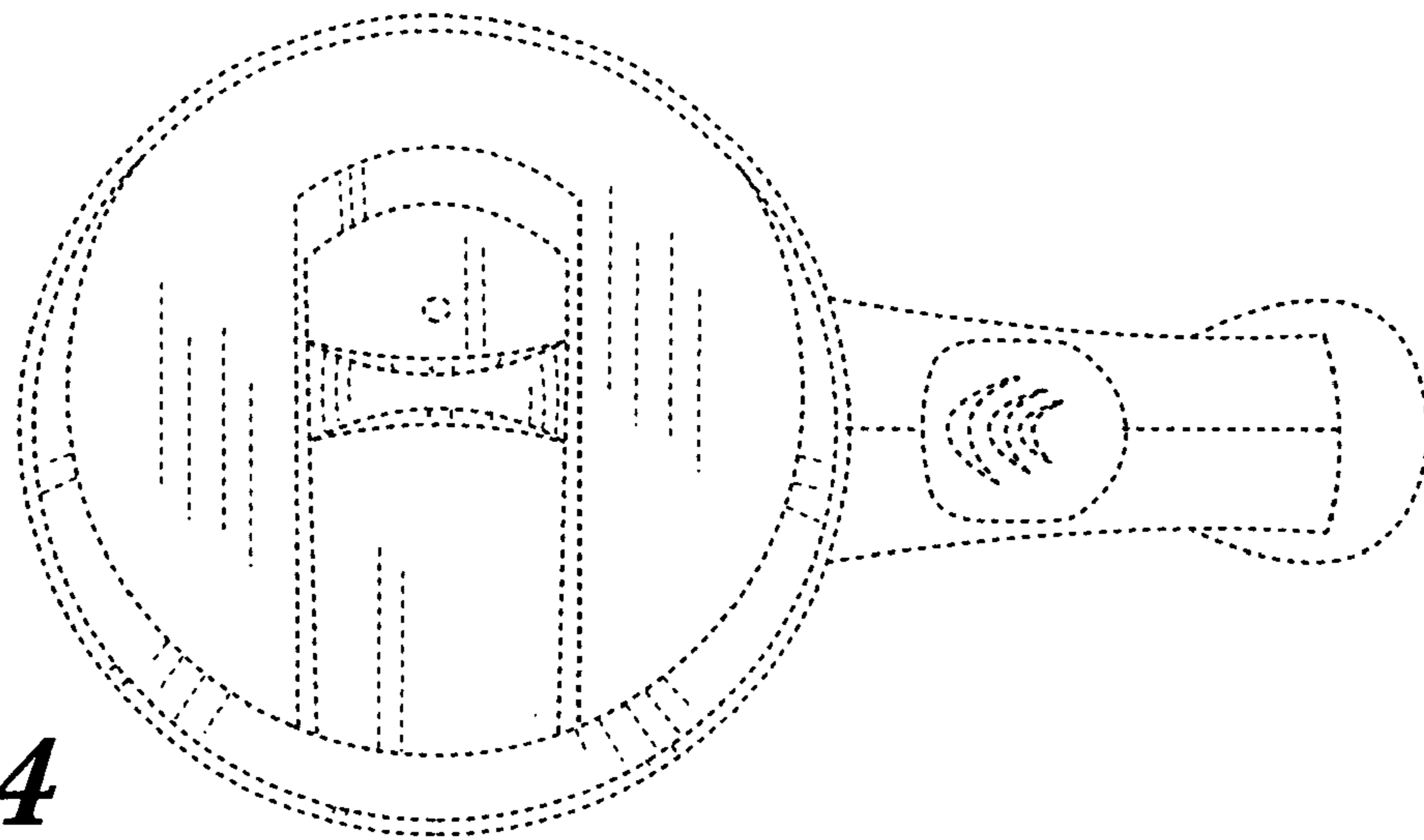
**FIG. 1**



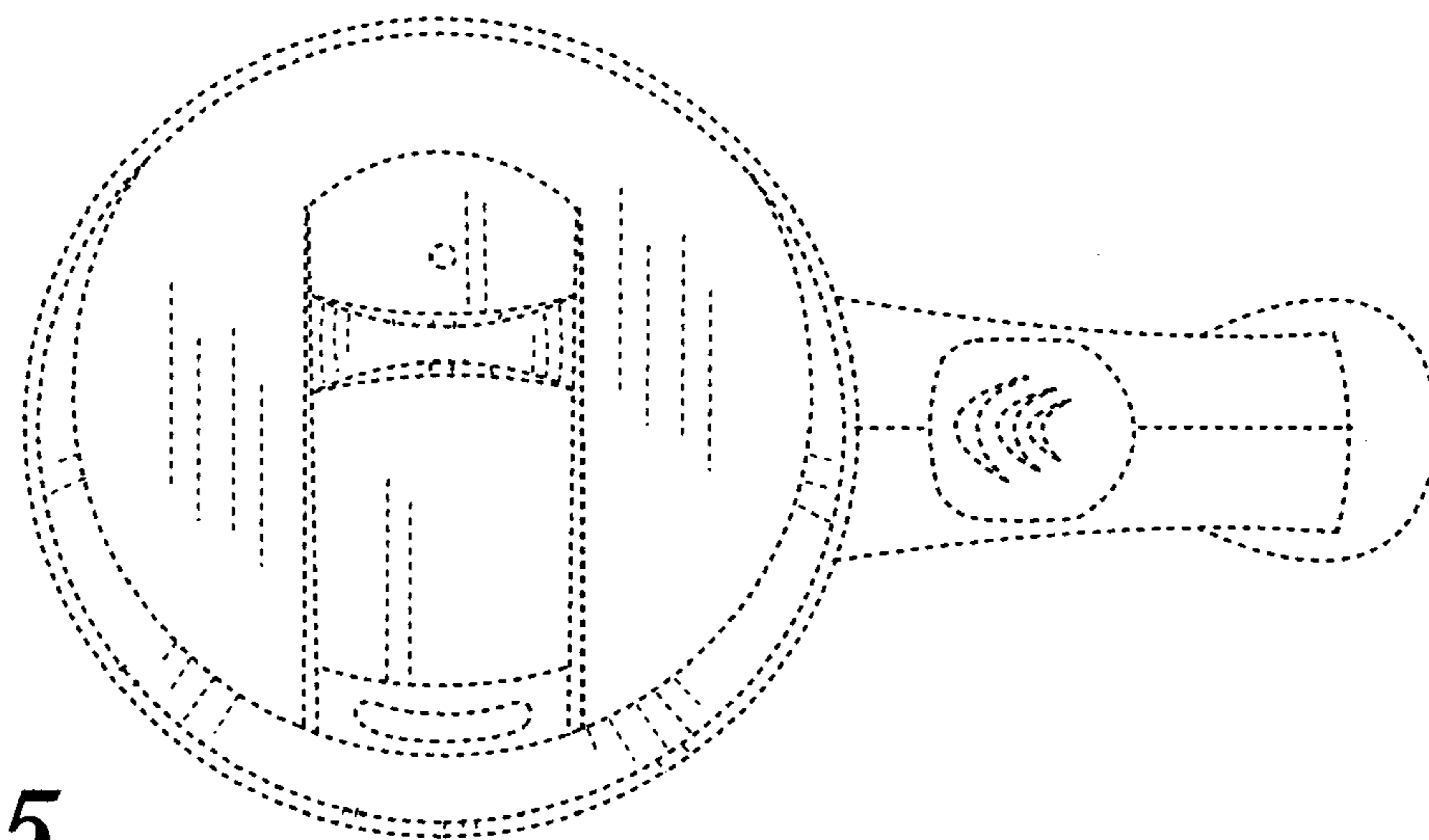
**FIG. 2**



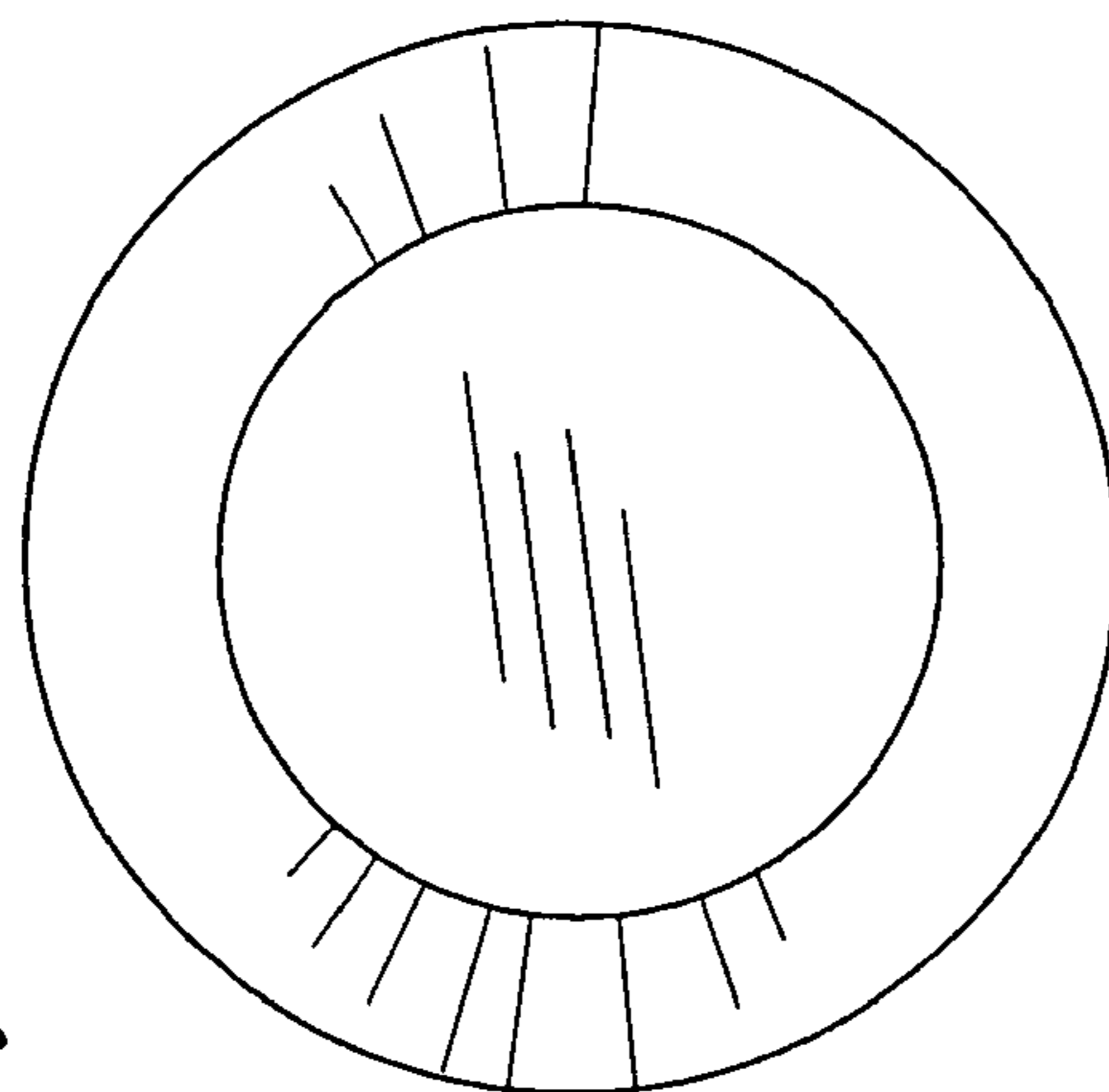
**FIG. 3**



**FIG. 4**

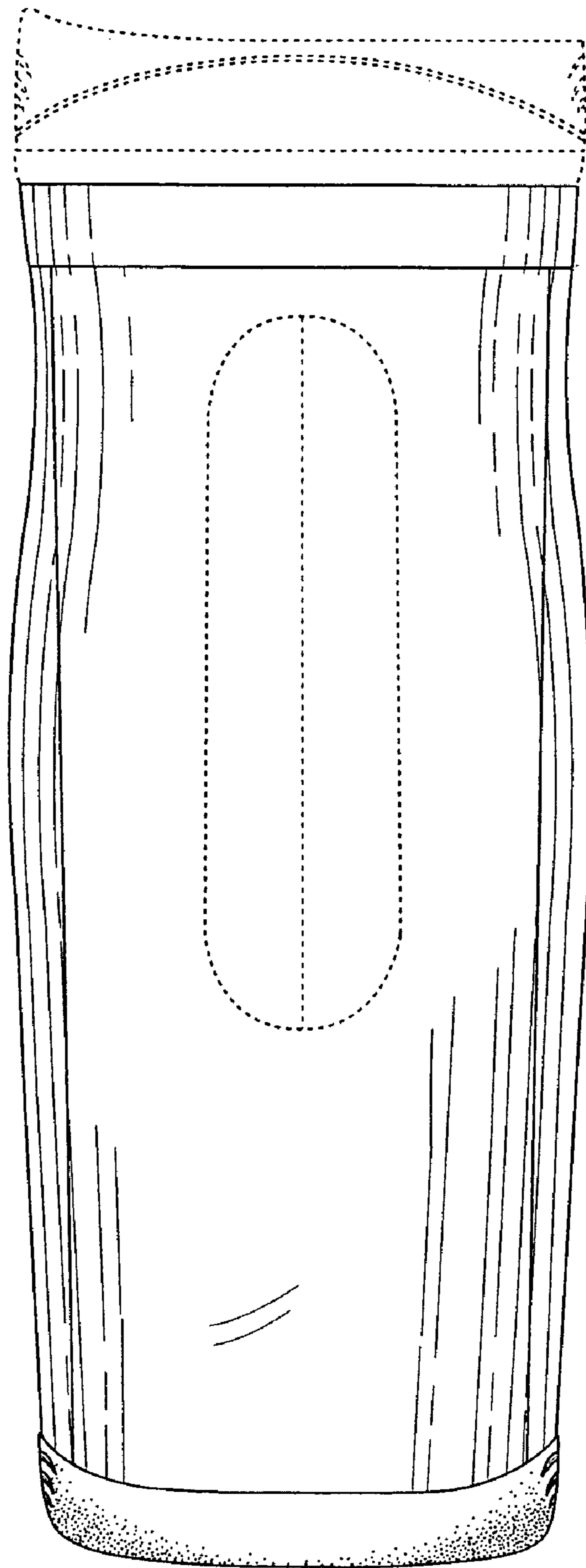


**FIG. 5**

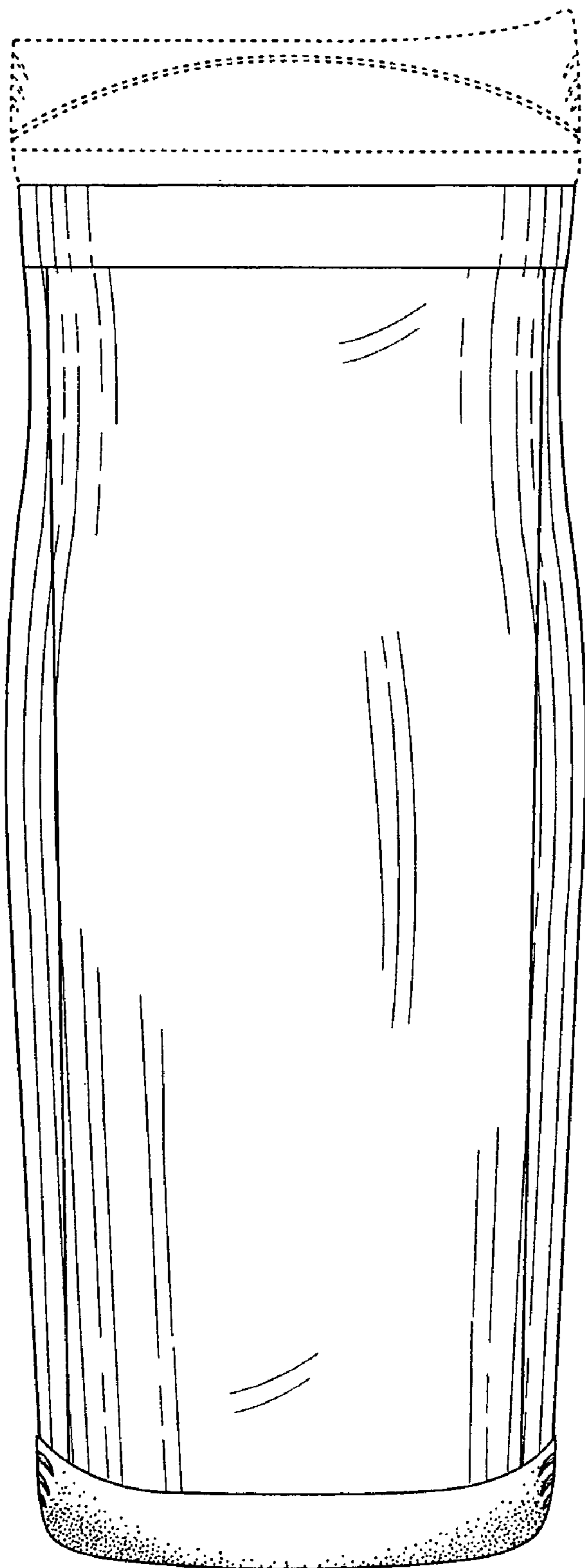


**FIG. 6**





***FIG. 7***



**FIG. 8**