



US00D554429S

(12) **United States Design Patent**
Measom

(10) **Patent No.:** **US D554,429 S**
(45) **Date of Patent:** **** Nov. 6, 2007**

(54) **POULTRY HOLDER FOR ROASTING PANS**

(75) Inventor: **S. Ty Measom**, Logan, UT (US)

(73) Assignee: **Logan Outdoor Products, LLC**,
Logan, UT (US)

(**) Term: **14 Years**

(21) Appl. No.: **29/251,092**

(22) Filed: **Jan. 4, 2006**

(51) **LOC (8) Cl.** **07-02**

(52) **U.S. Cl.** **D7/409**

(58) **Field of Classification Search** D7/323,
D7/354-361, 387, 409; 99/345-347, 422-427,
99/421 A, 421 HH, 421 H, 421 R, 449, 450;
211/85.4, 181; 220/573.1, 485, 491-494,
220/752, 759, 769, 912; 426/132, 523
See application file for complete search history.

(56) **References Cited**

U.S. PATENT DOCUMENTS

1,339,625 A * 5/1920 Holloway 99/346

(Continued)

OTHER PUBLICATIONS

Clever Gear Early Fall 2005, Item CL-60417 Vertical Grilling
Wok.*

Primary Examiner—Caron D. Veynar

Assistant Examiner—Ricky Pham

(74) *Attorney, Agent, or Firm*—Harris Zimmerman

(57) **CLAIM**

The ornamental design for a poultry holder for roasting pans,
as shown and described.

DESCRIPTION

FIG. 1 is a perspective view of a poultry holder for roasting
pans showing my new design.

FIG. 2 is a front view.

FIG. 3 is a top view.

FIG. 4 is a left hand side view, the right hand side view being
a mirror image thereof.

FIG. 5 is a rear view.

FIG. 6 is a bottom view.

FIG. 7 is a perspective view of a second embodiment of the
invention.

FIG. 8 is a front view thereof.

FIG. 9 is a top view.

FIG. 10 is a left hand side view, the right hand side view
being a mirror image thereof.

FIG. 11 is a rear view.

FIG. 12 is a bottom view.

FIG. 13 is perspective view of a third embodiment of the
present invention.

FIG. 14 is a front view.

FIG. 15 is a top view.

FIG. 16 is a left hand side view, the right hand side view
being a mirror image thereof.

FIG. 17 is a rear view.

FIG. 18 is a bottom view.

FIG. 19 is a perspective view of a fourth embodiment of the
present invention.

FIG. 20 is a front view.

FIG. 21 is a top view.

FIG. 22 is a left hand side view, the right hand side view
being a mirror image thereof.

FIG. 23 is a rear view.

FIG. 24 is a bottom view.

FIG. 25 is a perspective view of a fifth embodiment of the
present invention.

FIG. 26 is a front view.

FIG. 27 is a top view.

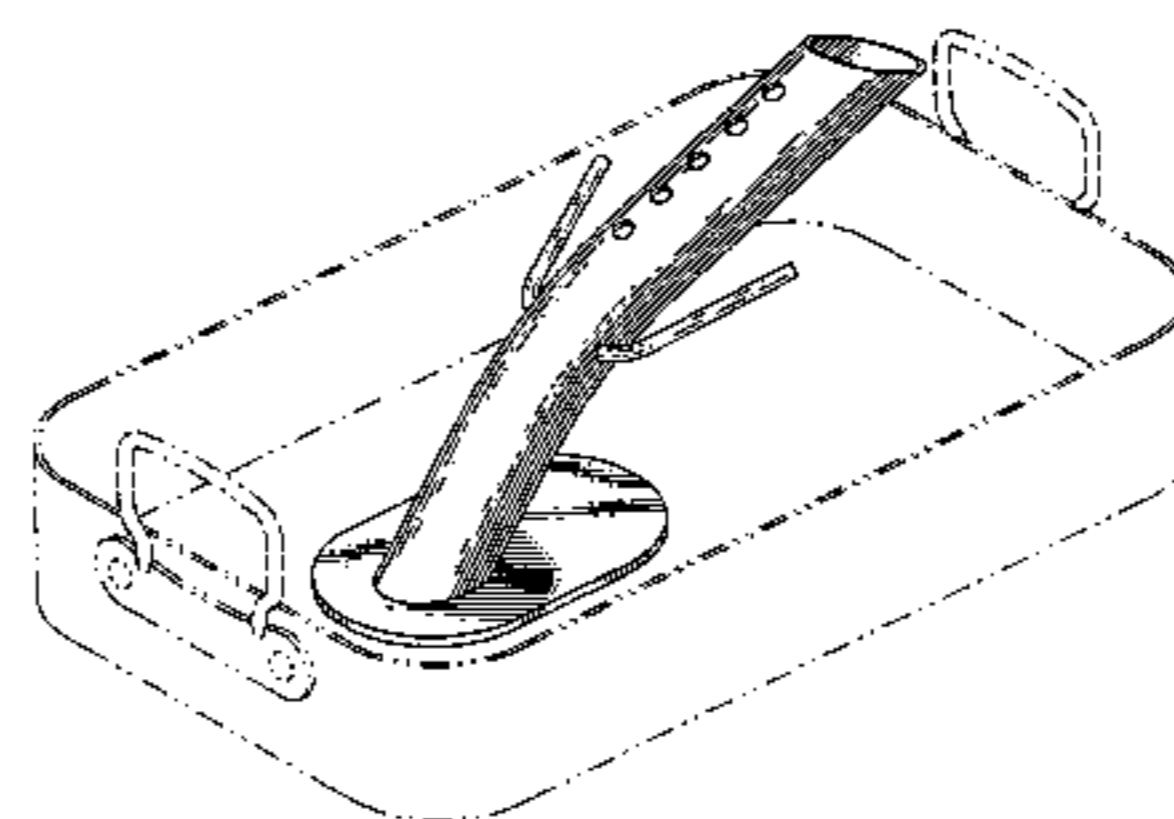
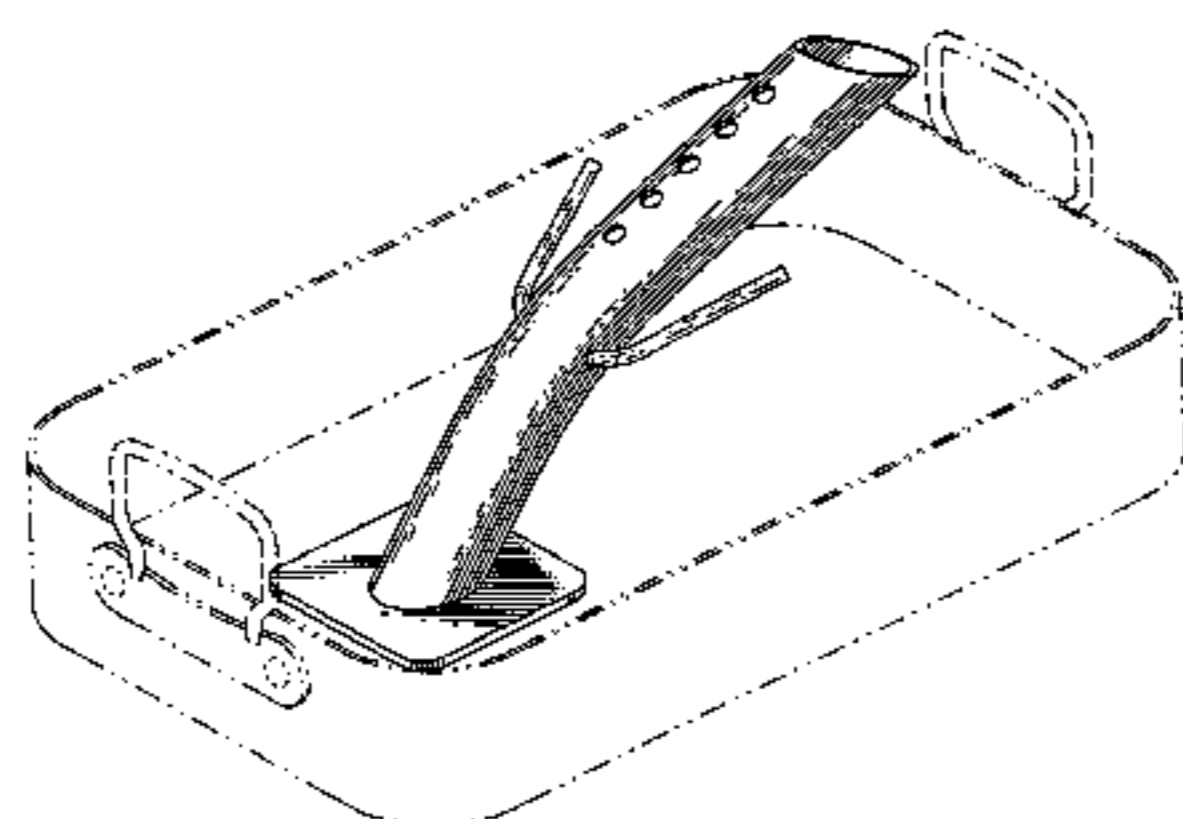
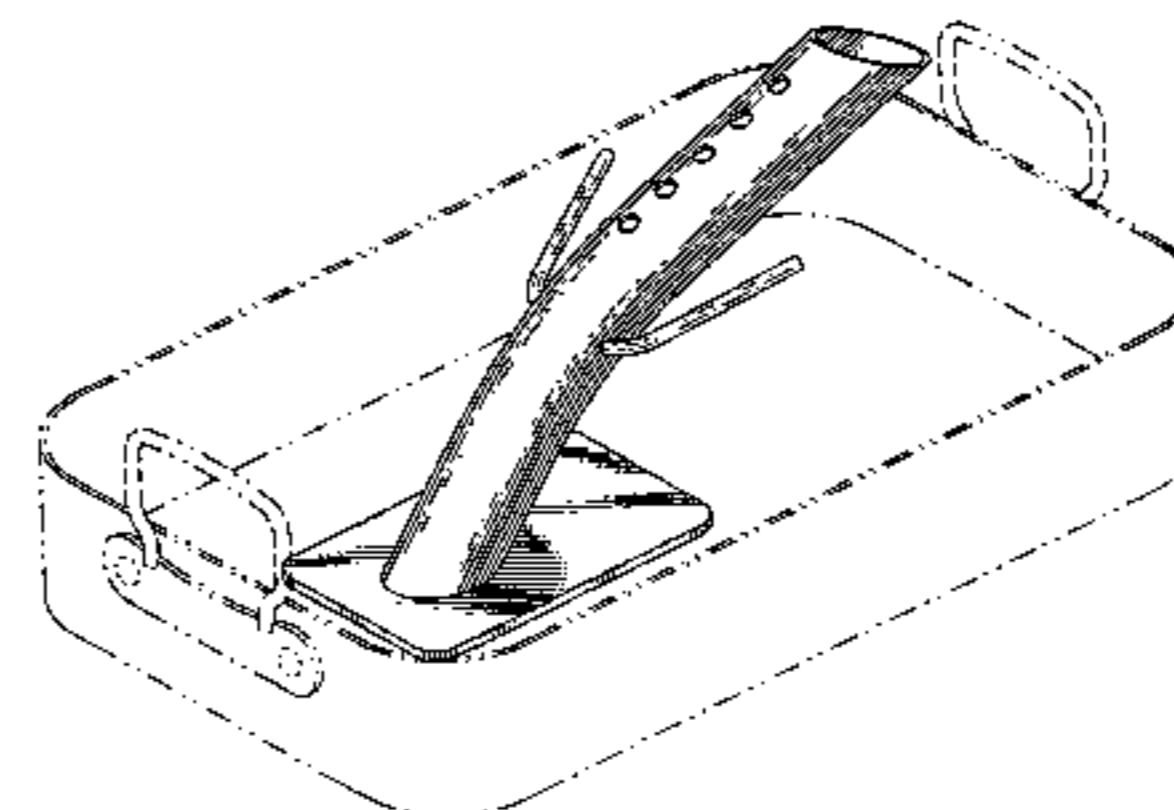
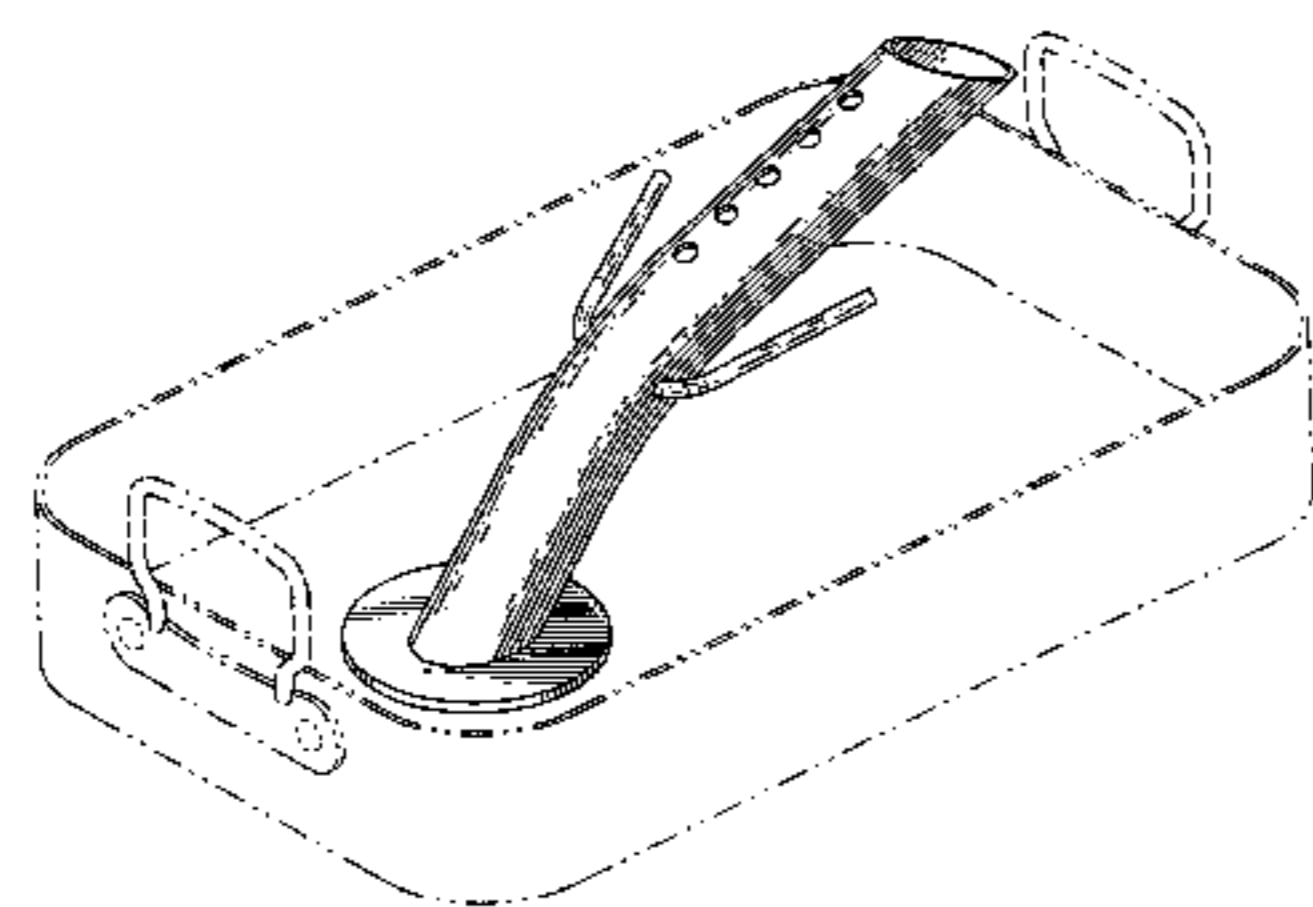
FIG. 28 is a left hand side view, the right hand side view
being a mirror image thereof.

FIG. 29 is a rear view; and,

FIG. 30 is a bottom view.

The broken lines shown in the drawings are for illustrative
purposes only and form no part of the claimed design.

1 Claim, 10 Drawing Sheets



US D554,429 S

Page 2

U.S. PATENT DOCUMENTS						
2,720,158	A	10/1955	Finizie			
D322,912	S *	1/1992	Schmengler	D7/359		
5,301,602	A *	4/1994	Ryczek		99/345	
D347,143	S *	5/1994	Awyong	D7/354		
5,575,198	A *	11/1996	Lowery		99/426	
D418,008	S *	12/1999	Rachel et al.	D7/359		
6,062,131	A *	5/2000	Holland		99/345	
6,119,585	A	9/2000	Guidry			
6,125,739	A	10/2000	Jernigan			
6,192,792	B1	2/2001	Gremillion			
6,265,004	B1 *	7/2001	Cagle		426/132	
						* cited by examiner
				6,349,632	B1 *	2/2002 Beck, Jr. 99/345
				6,460,452	B1	10/2002 Hester
				6,467,399	B1	10/2002 Boutte
				6,502,501	B1	1/2003 Simon
				6,502,503	B1	1/2003 Bell, Jr. et al.
				6,503,551	B1 *	1/2003 Hester 426/523
				6,557,460	B2 *	5/2003 Hester 99/347
				6,779,438	B1	8/2004 Citrynell et al.
				7,063,007	B2 *	6/2006 Citrynell et al. 99/347
				D525,471	S *	7/2006 Measom D7/323

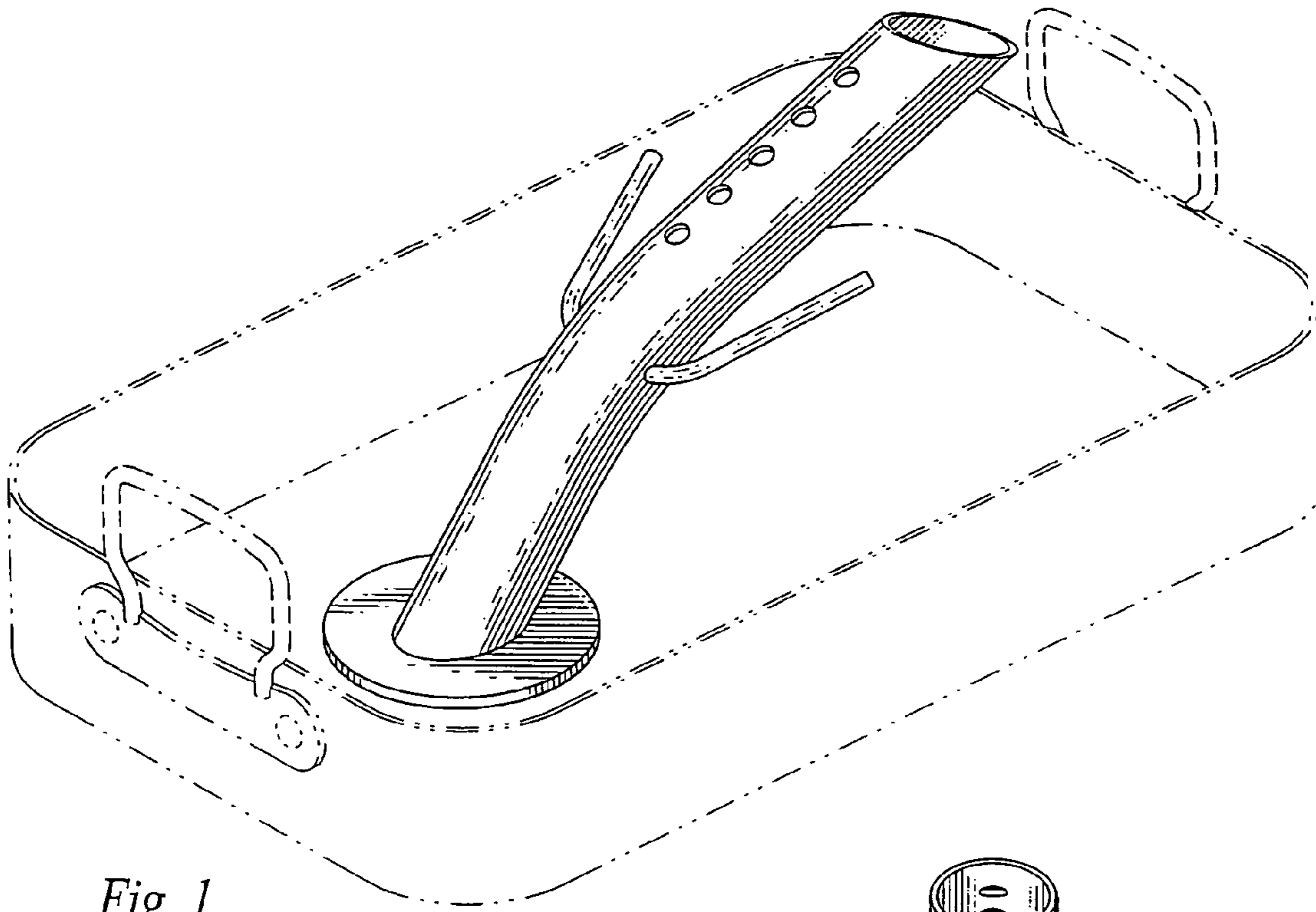


Fig. 1

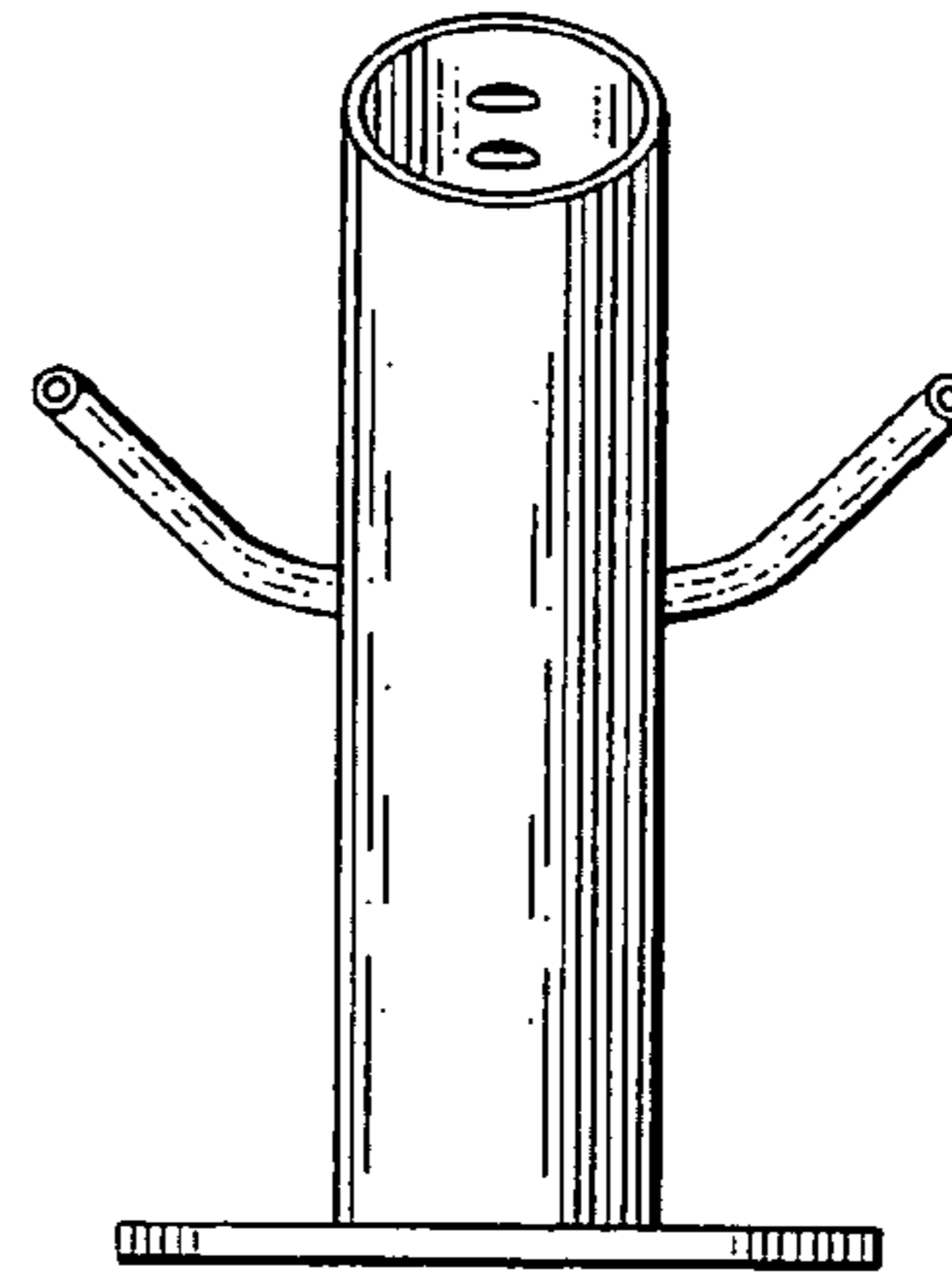


Fig. 2

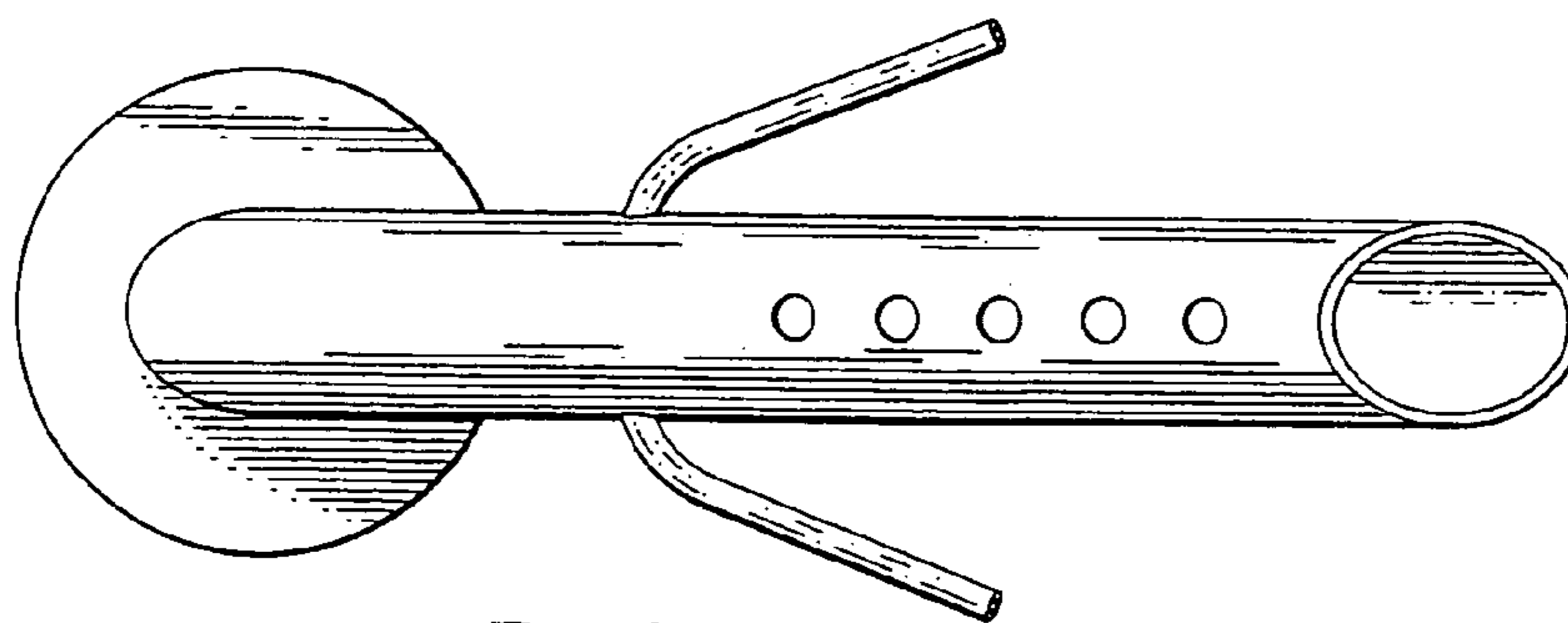


Fig. 3

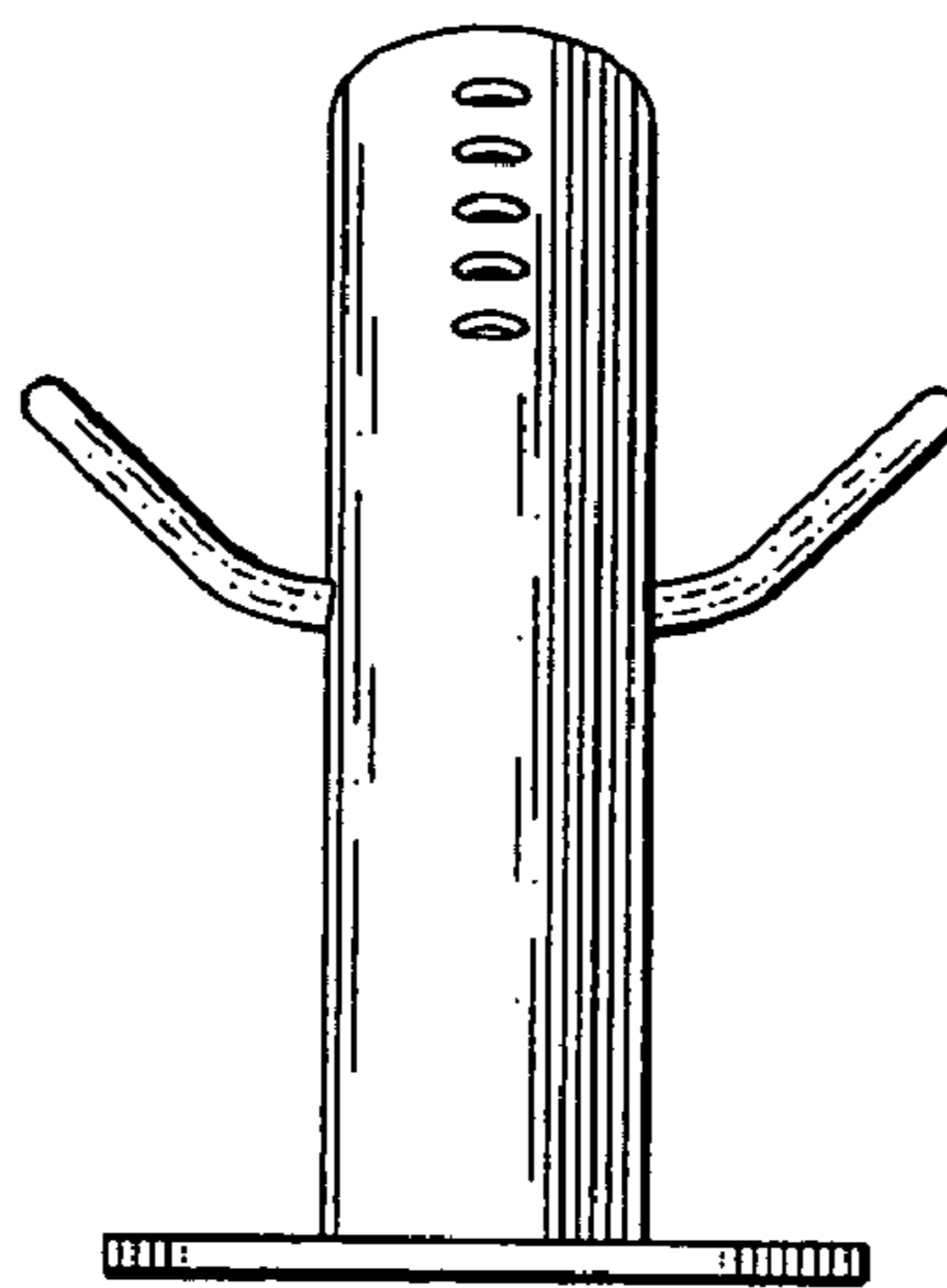
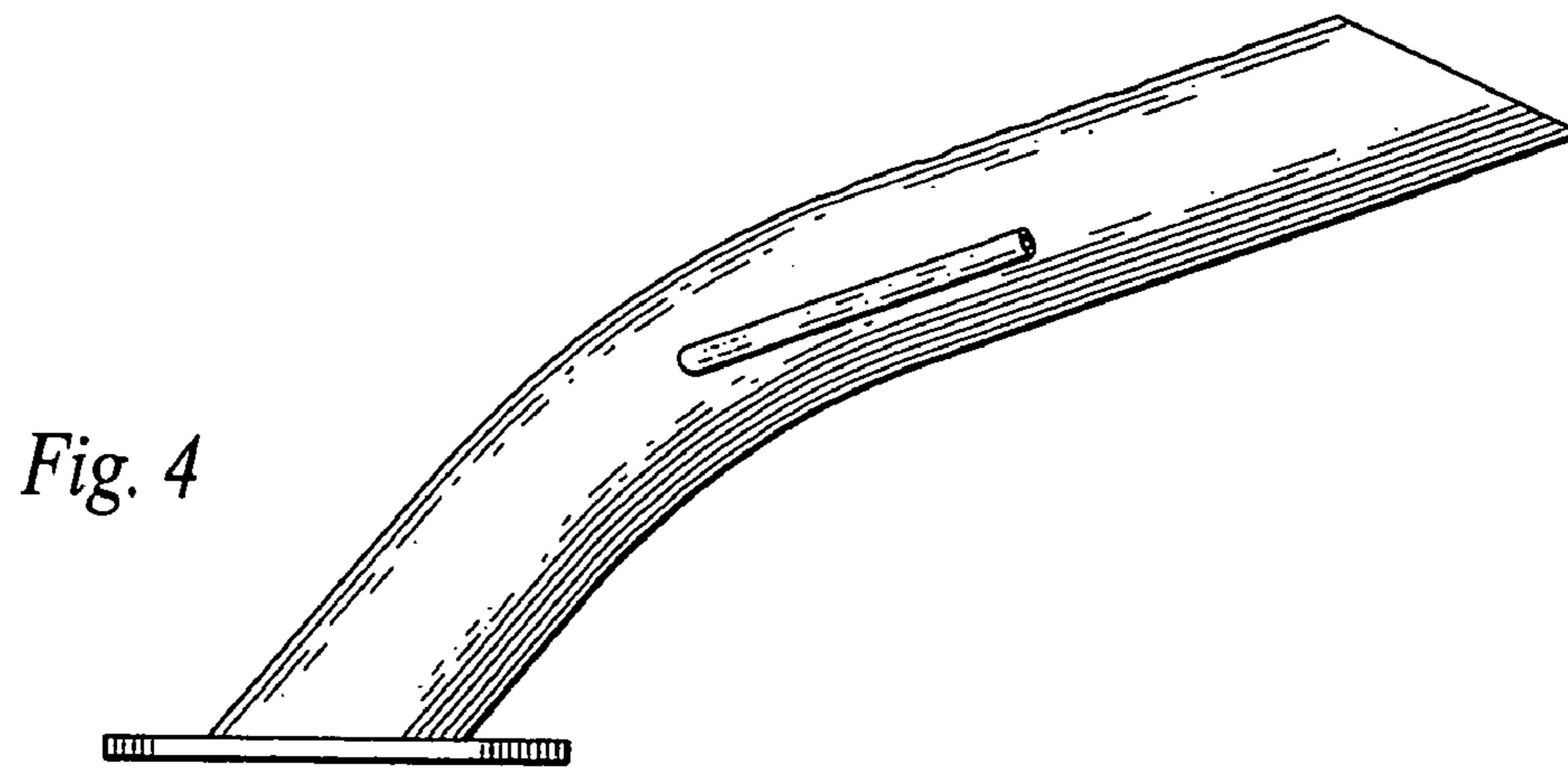


Fig. 5

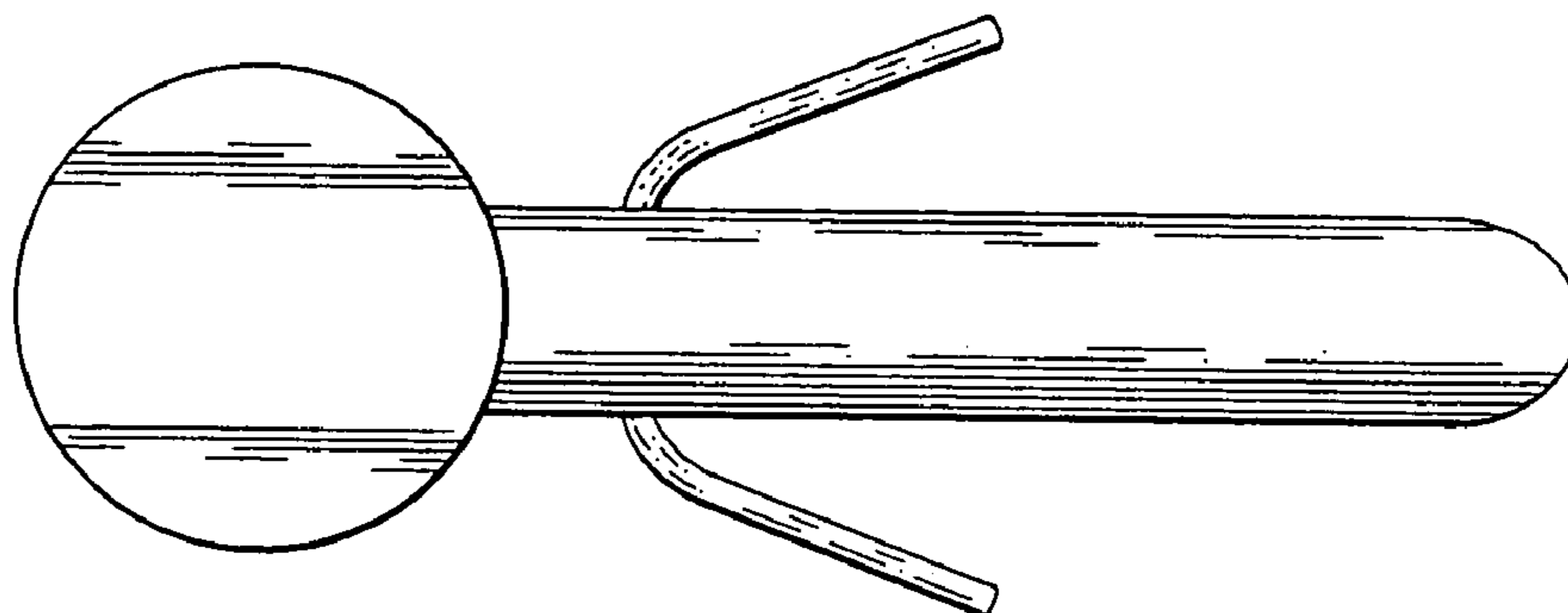


Fig. 6

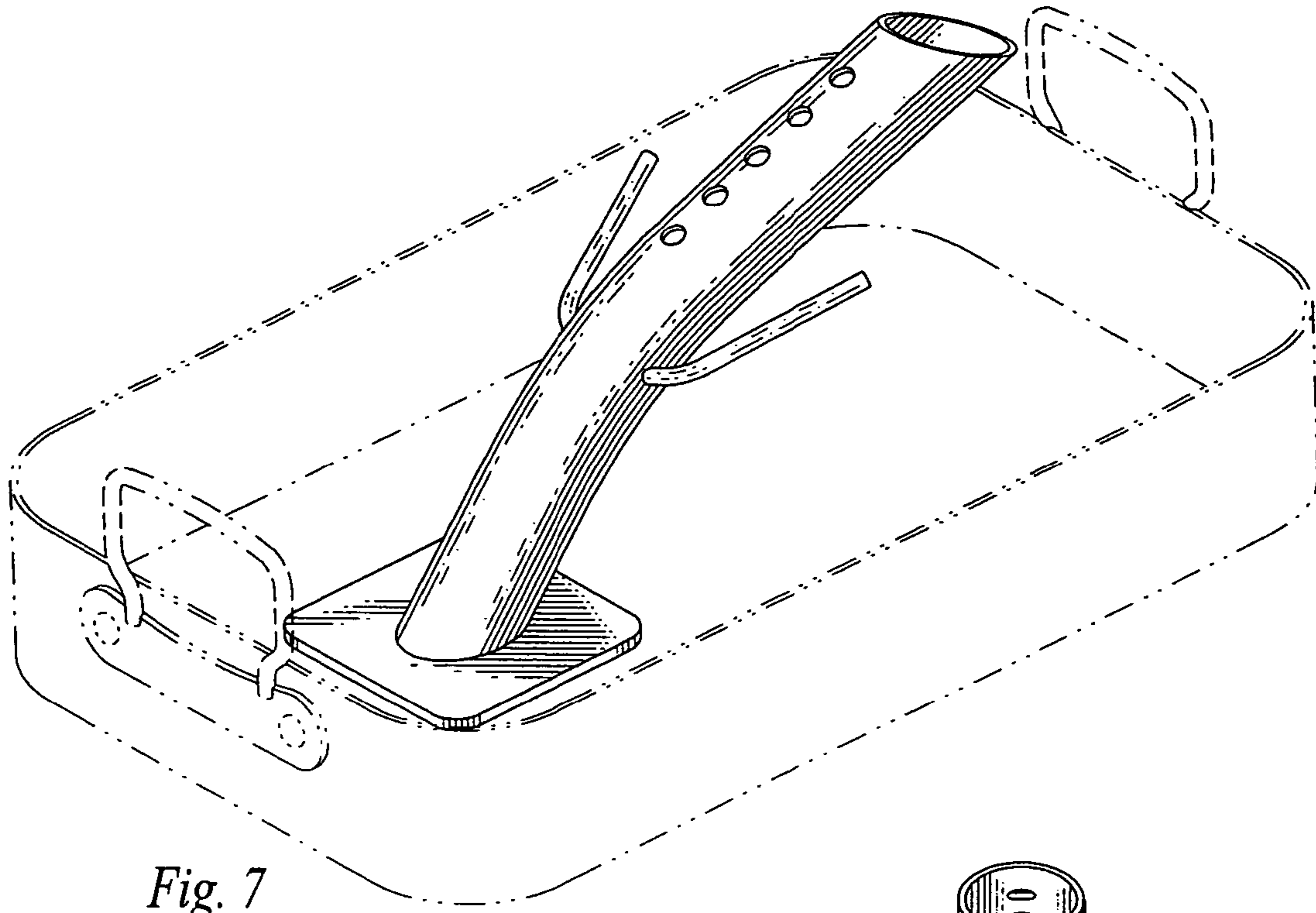


Fig. 7

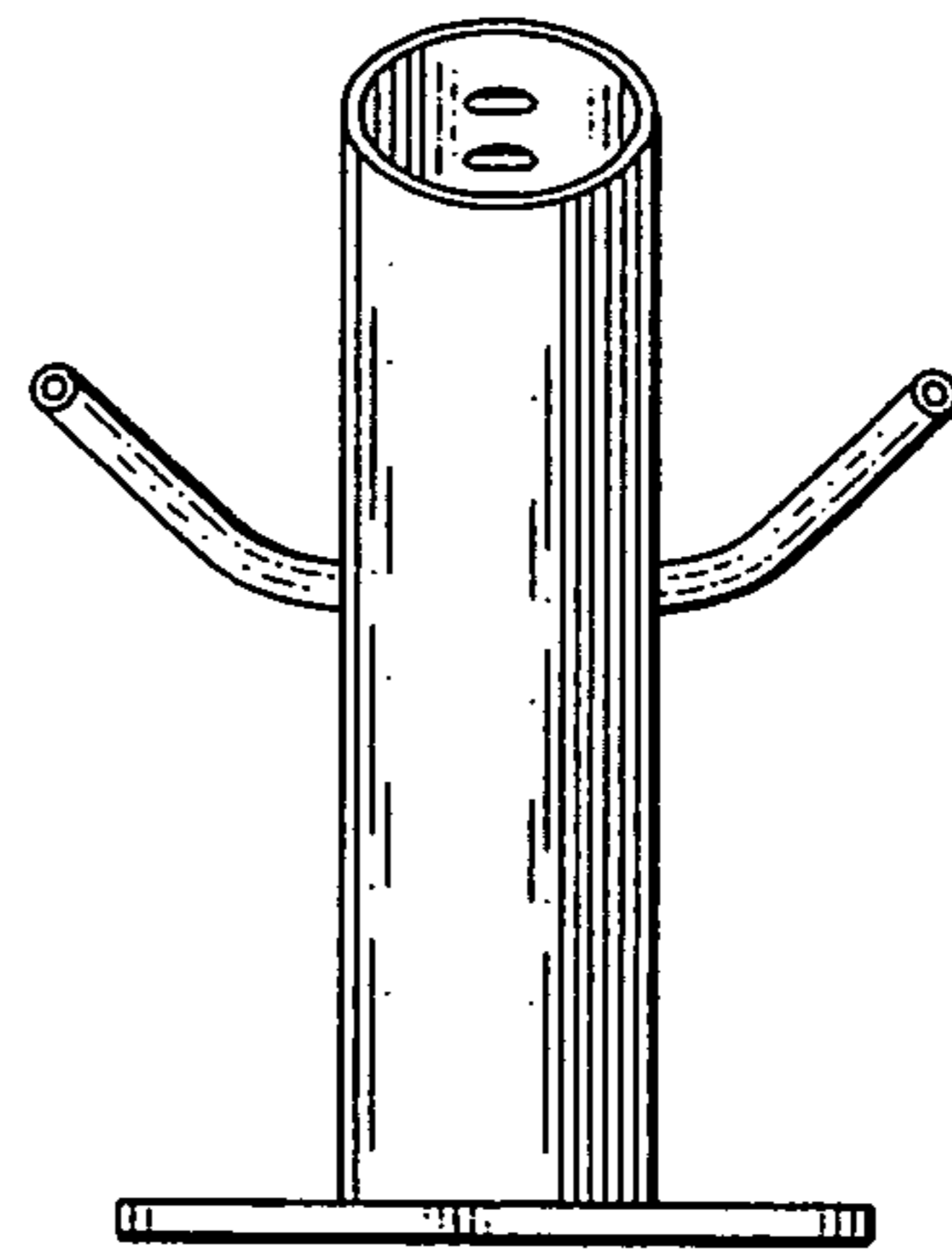


Fig. 8

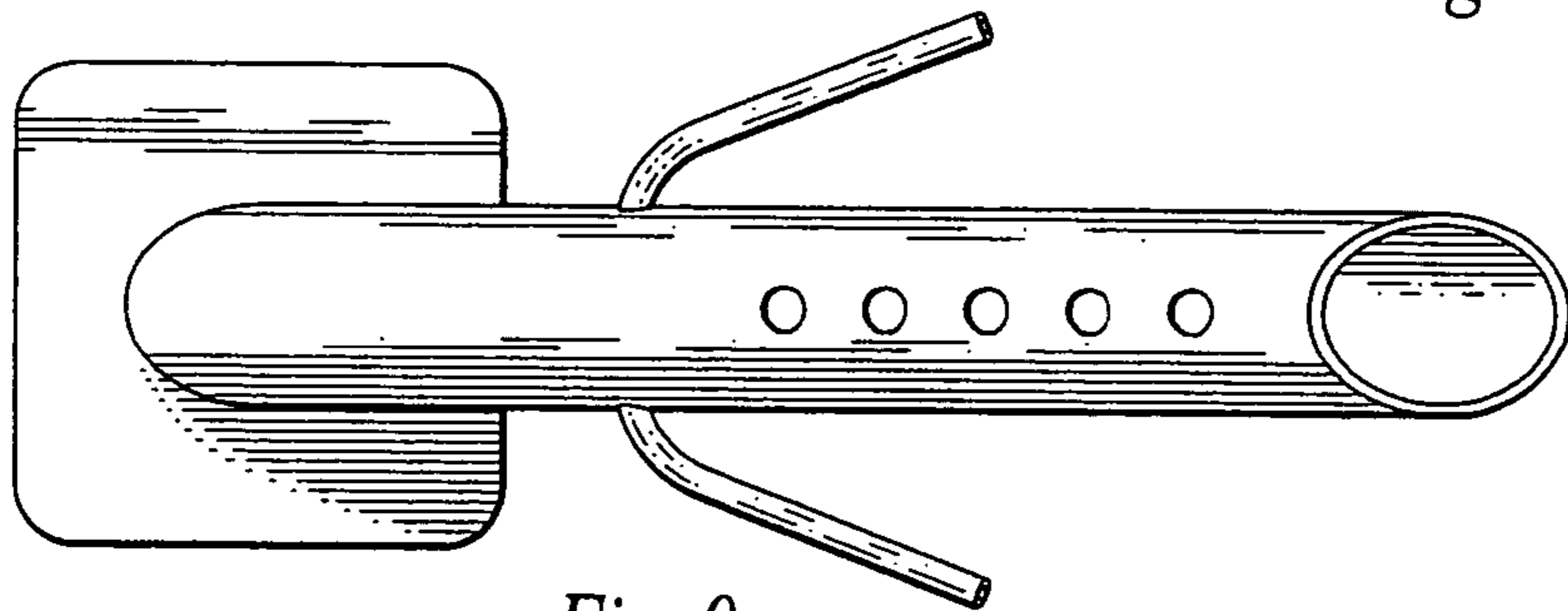


Fig. 9

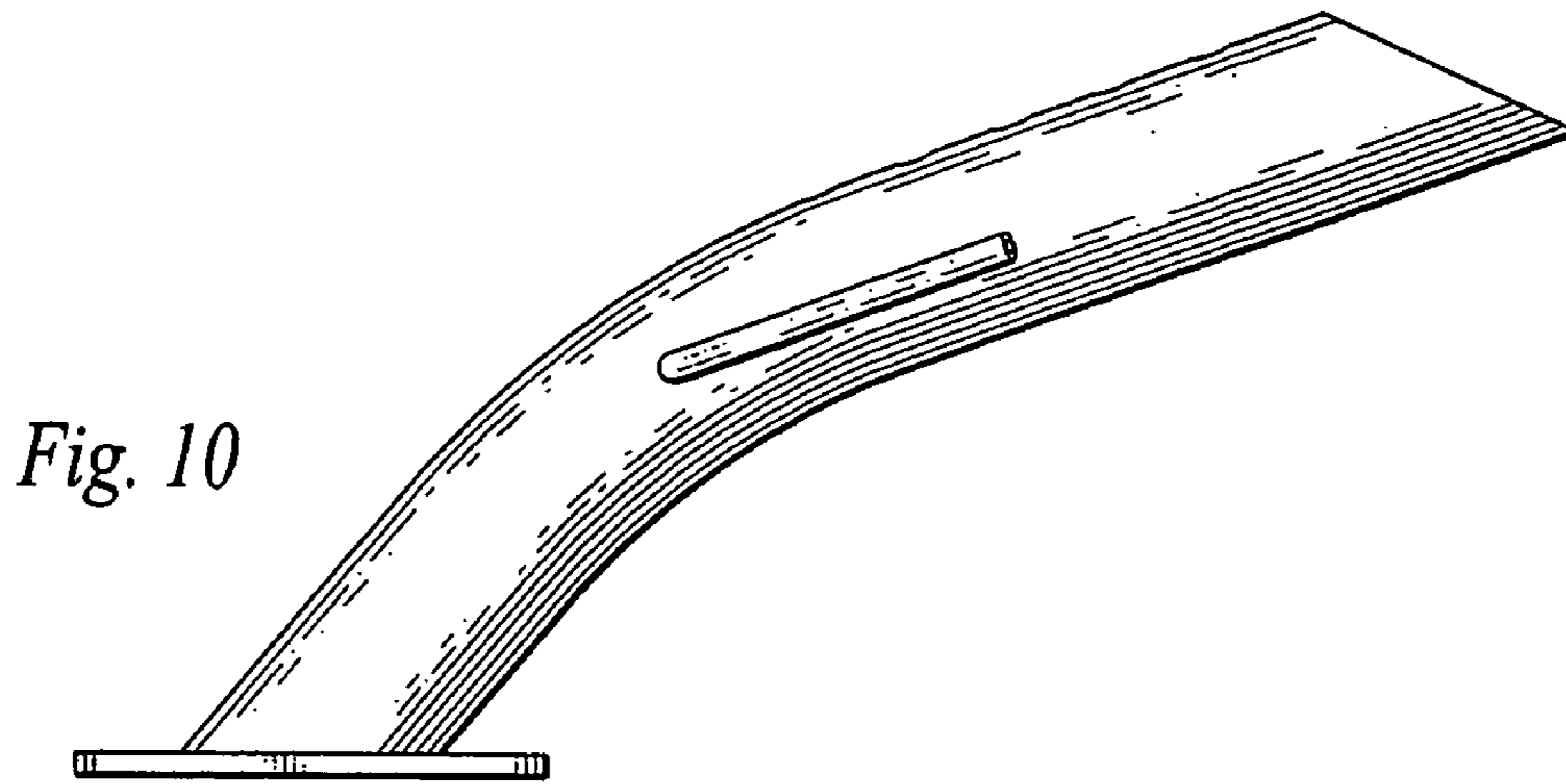


Fig. 10

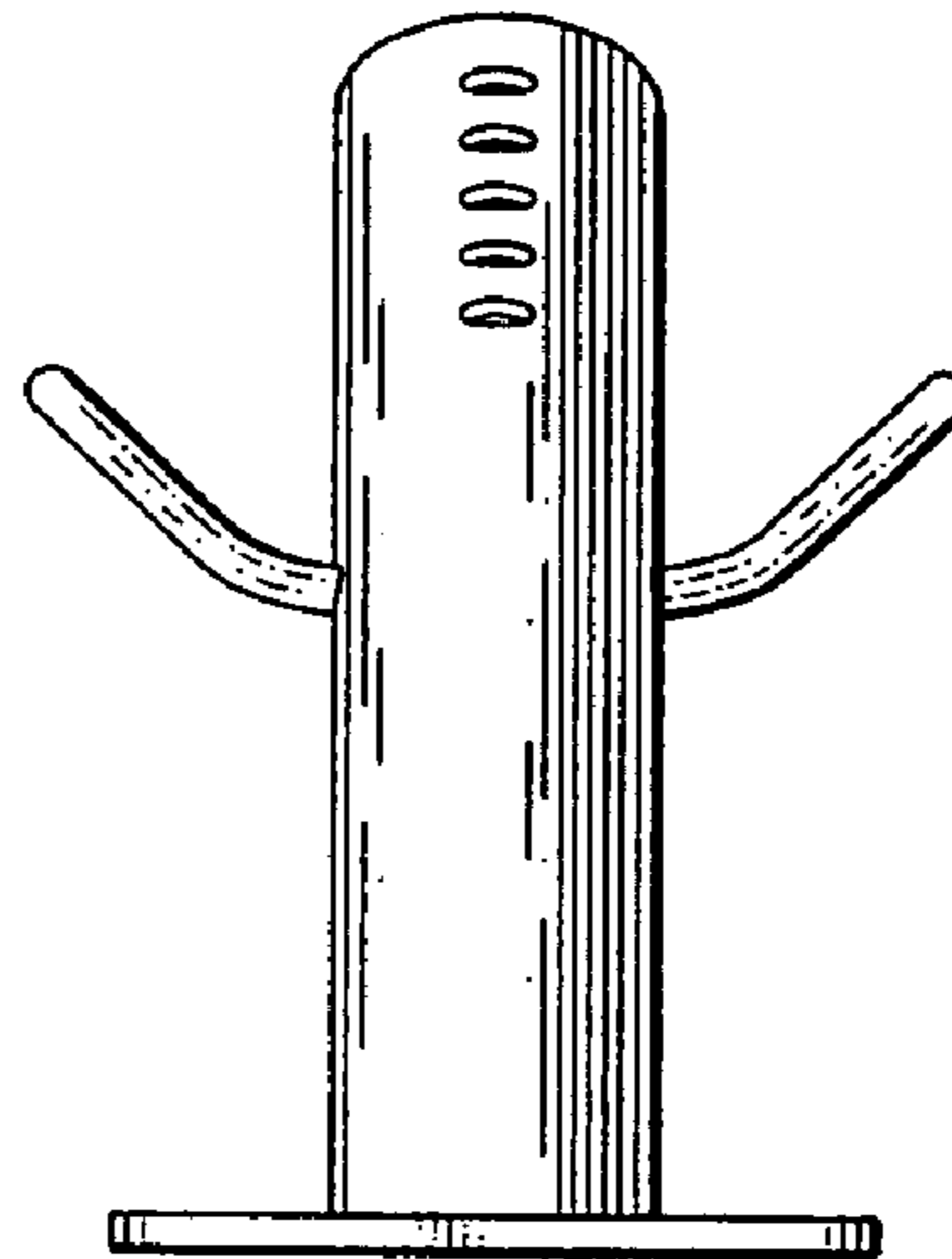


Fig. 11

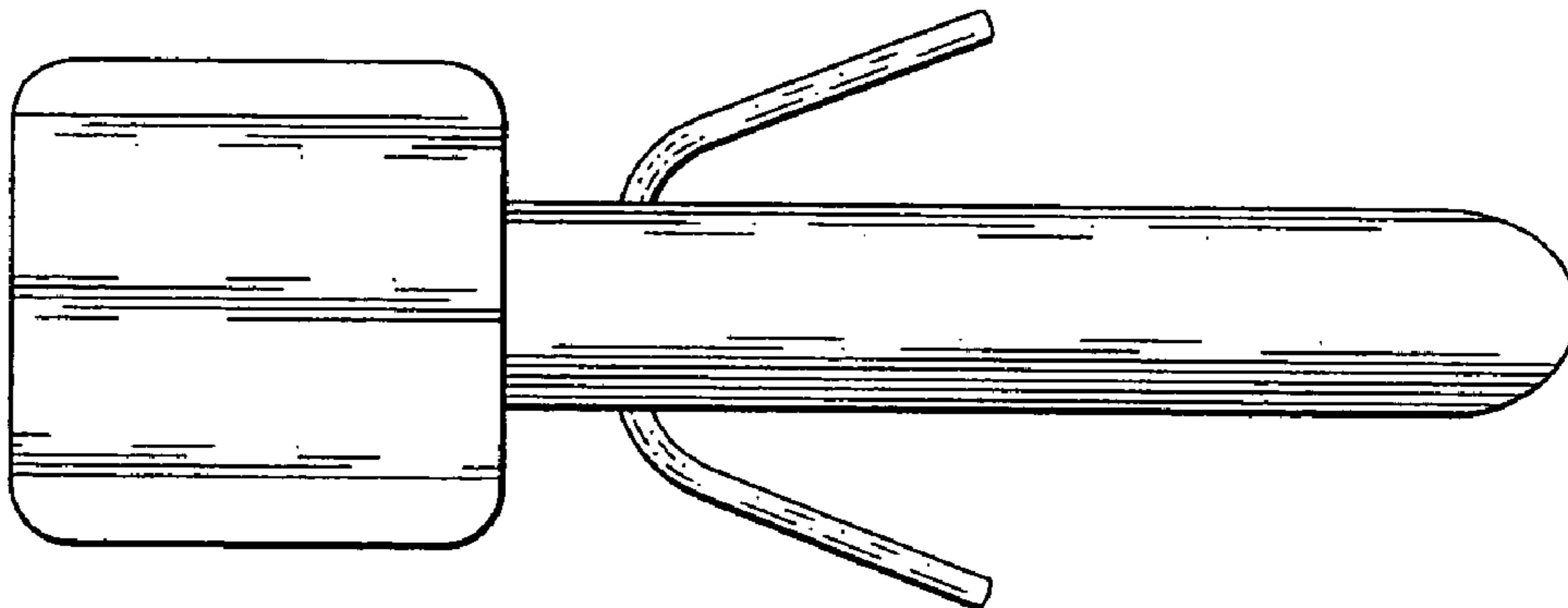


Fig. 12

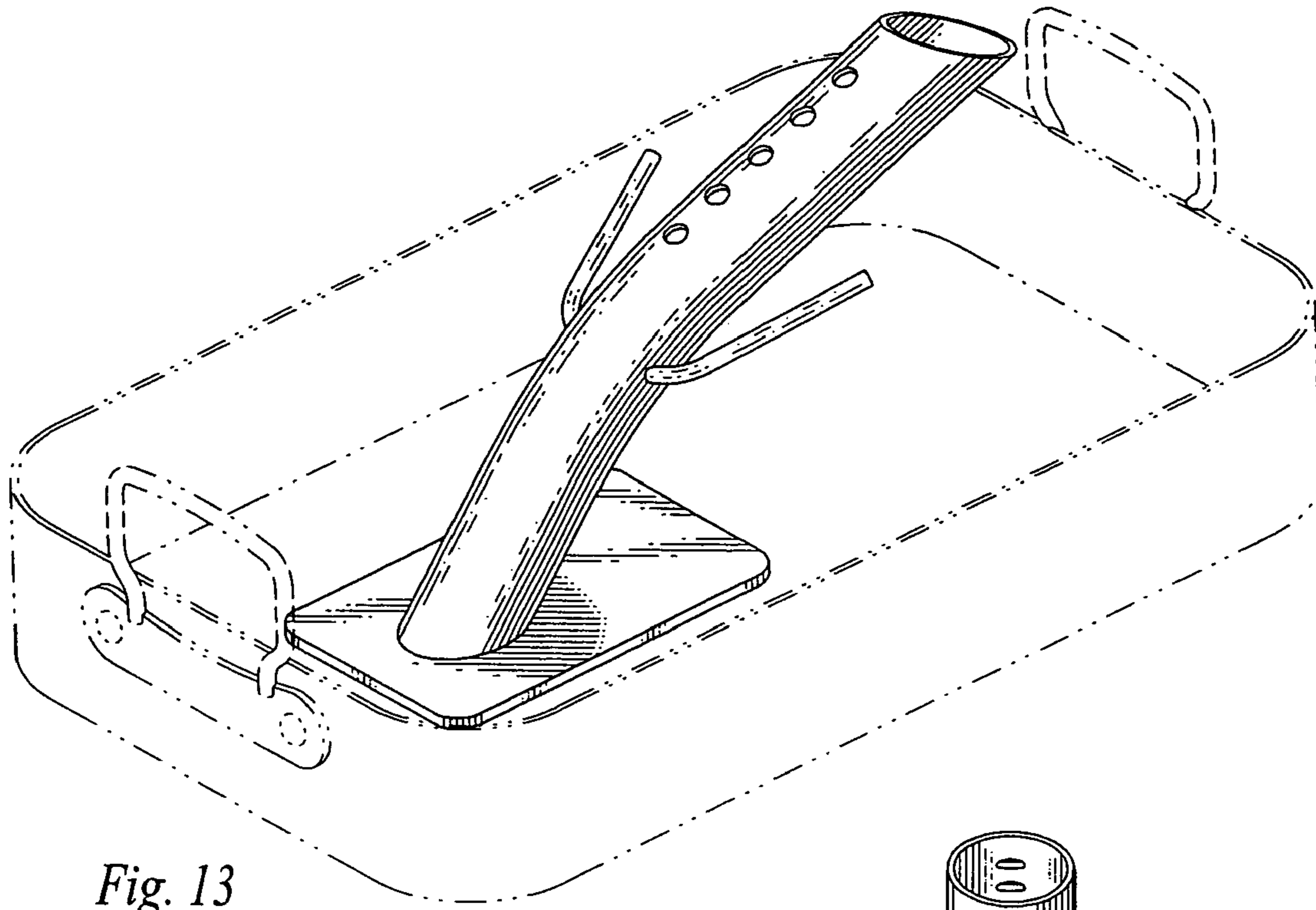


Fig. 13

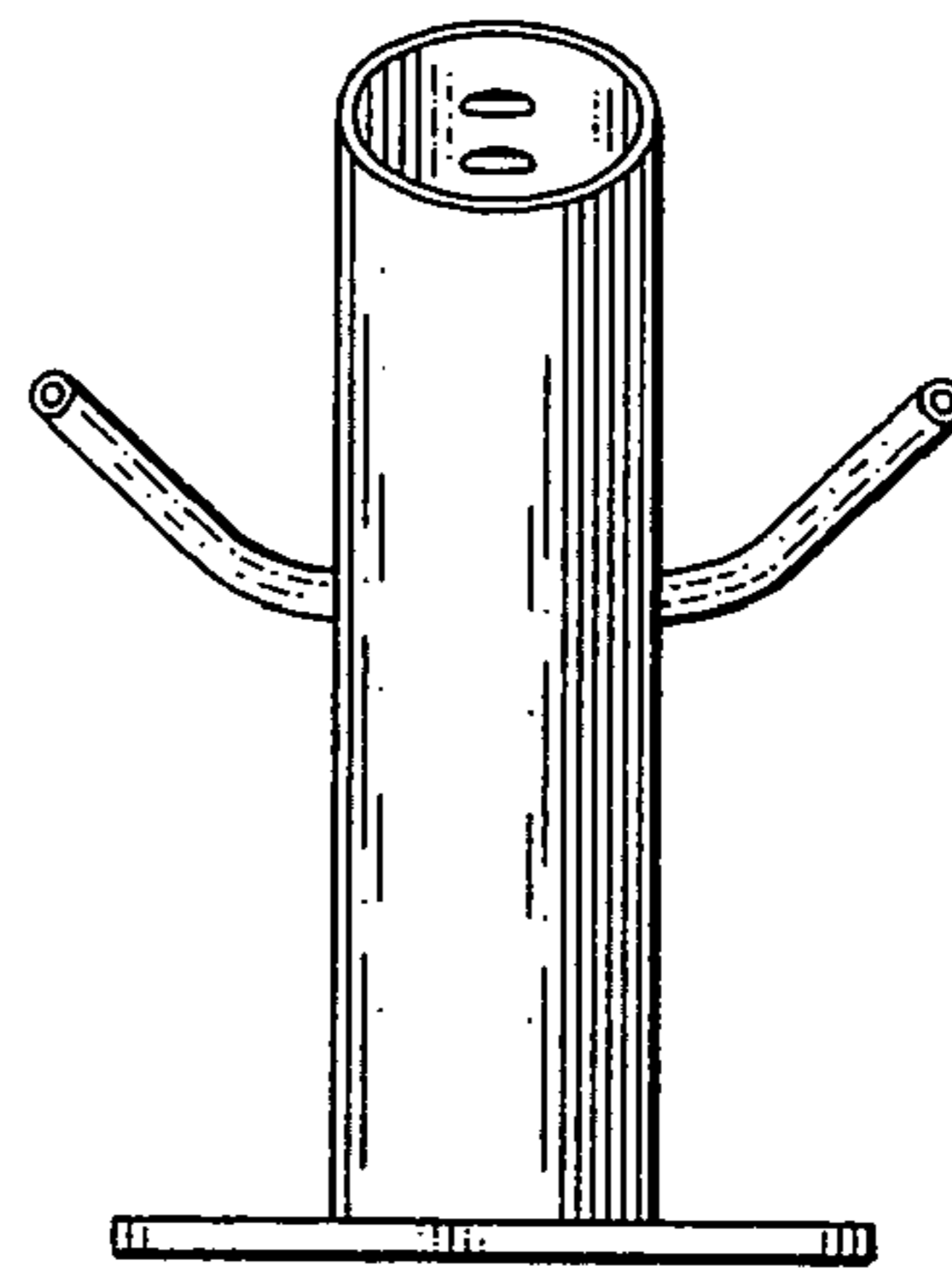


Fig. 14

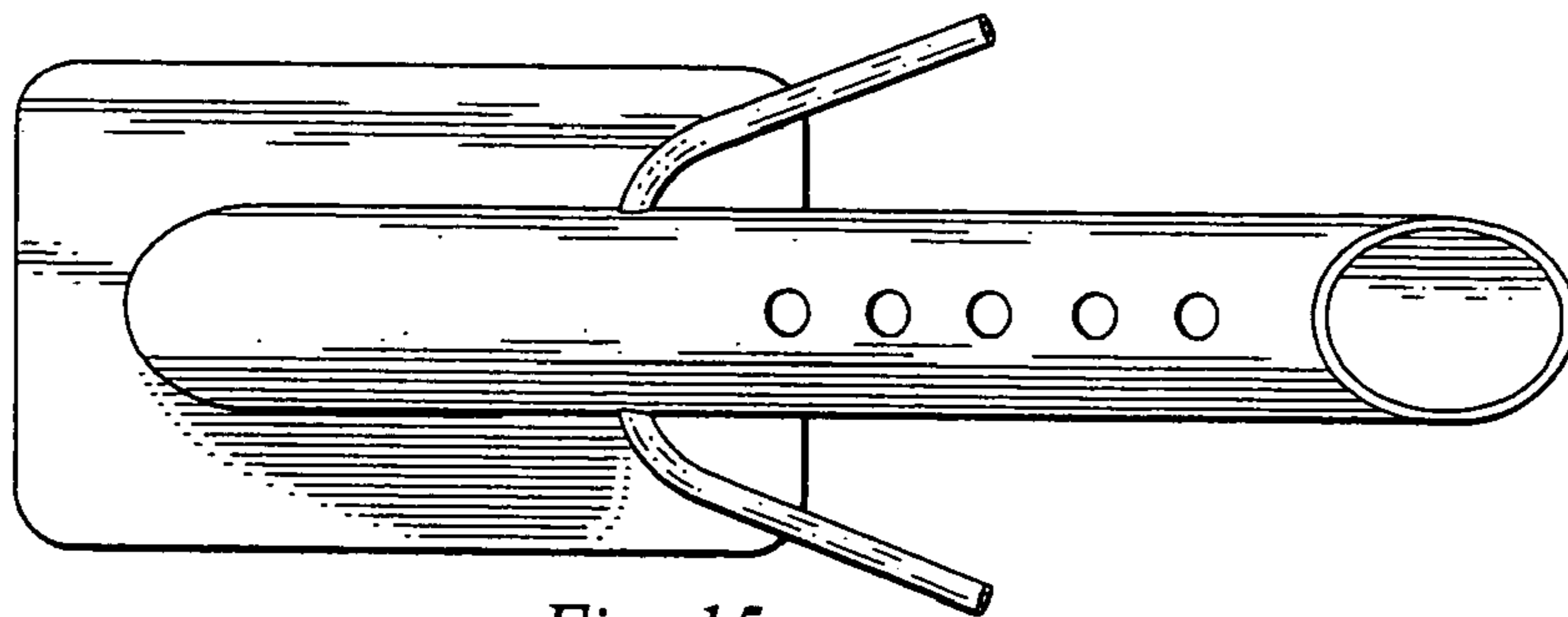


Fig. 15

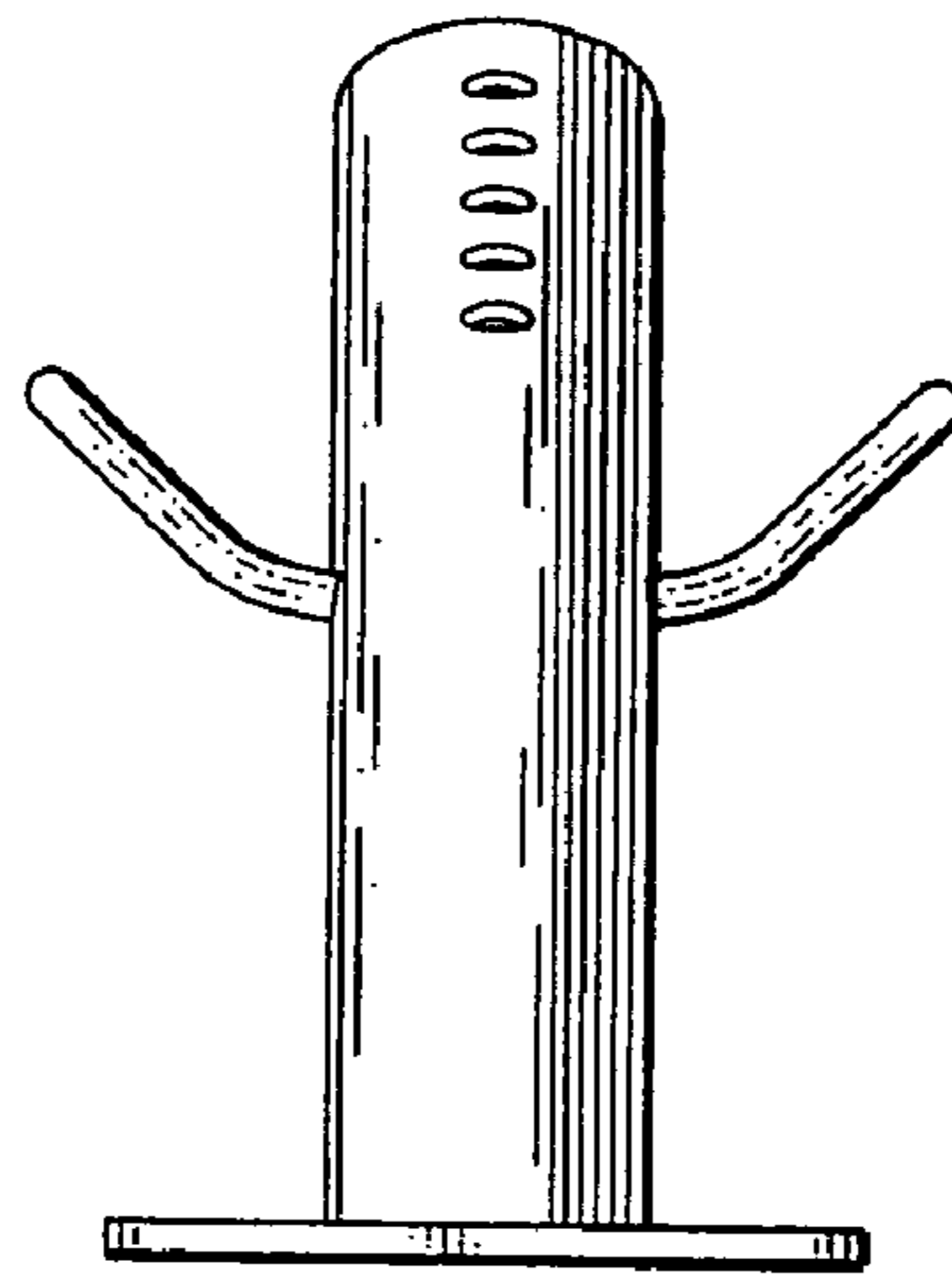
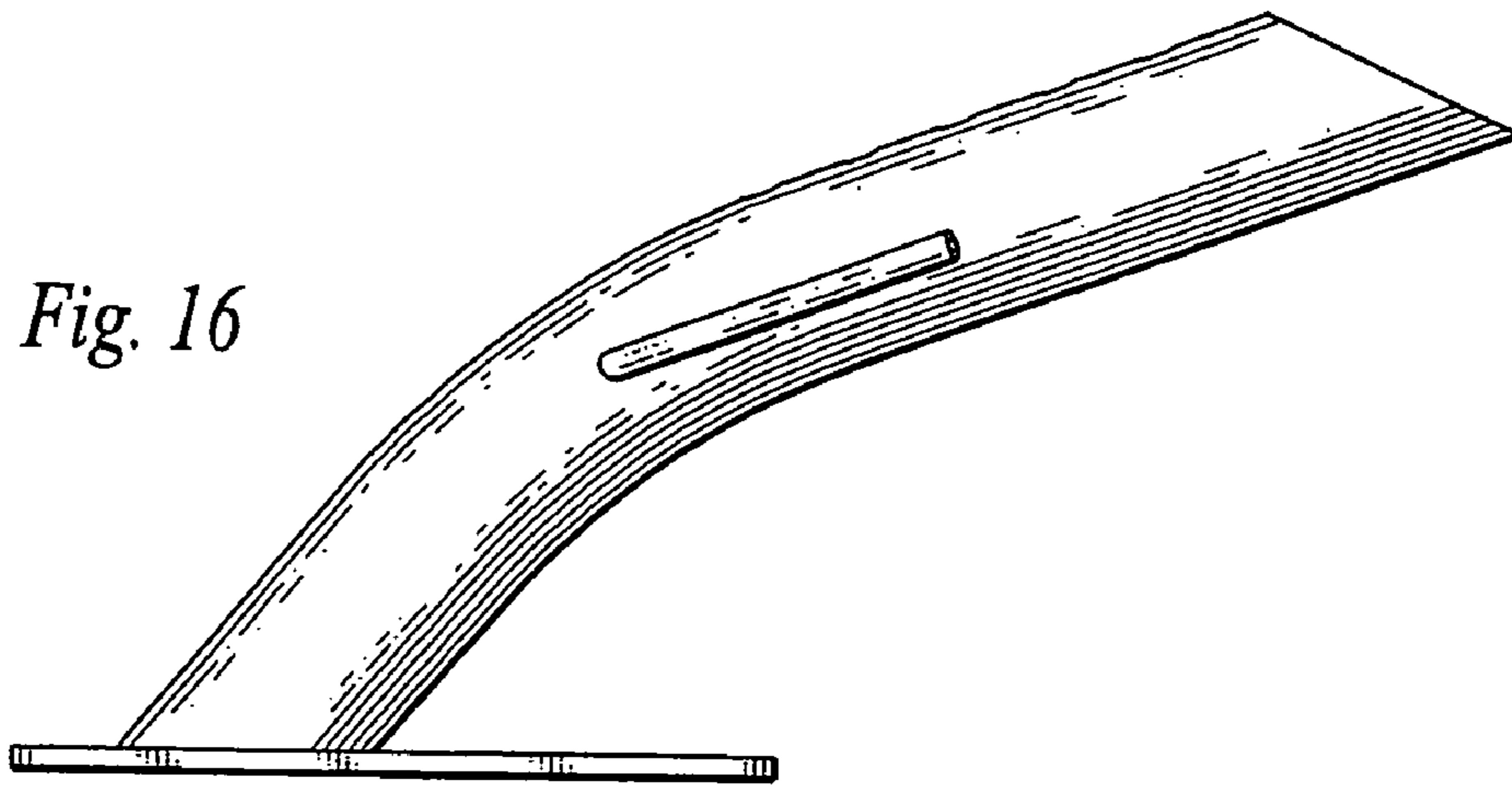


Fig. 17

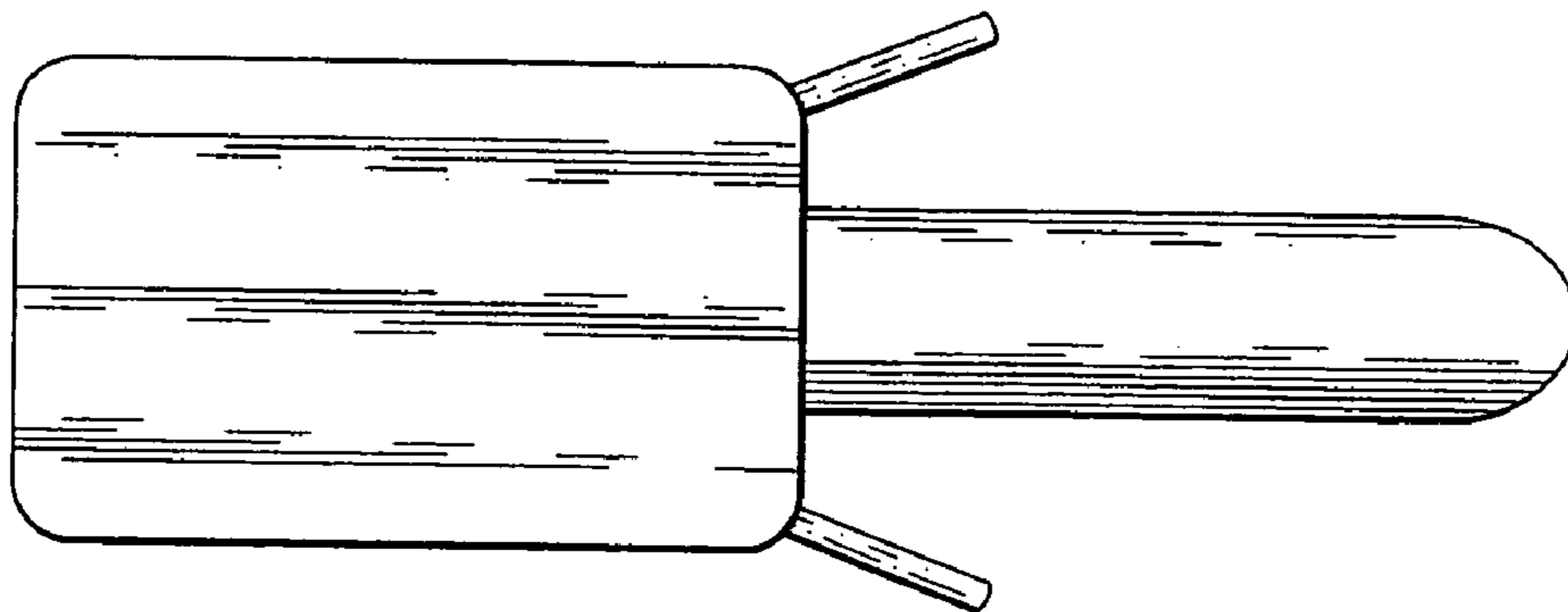


Fig. 18

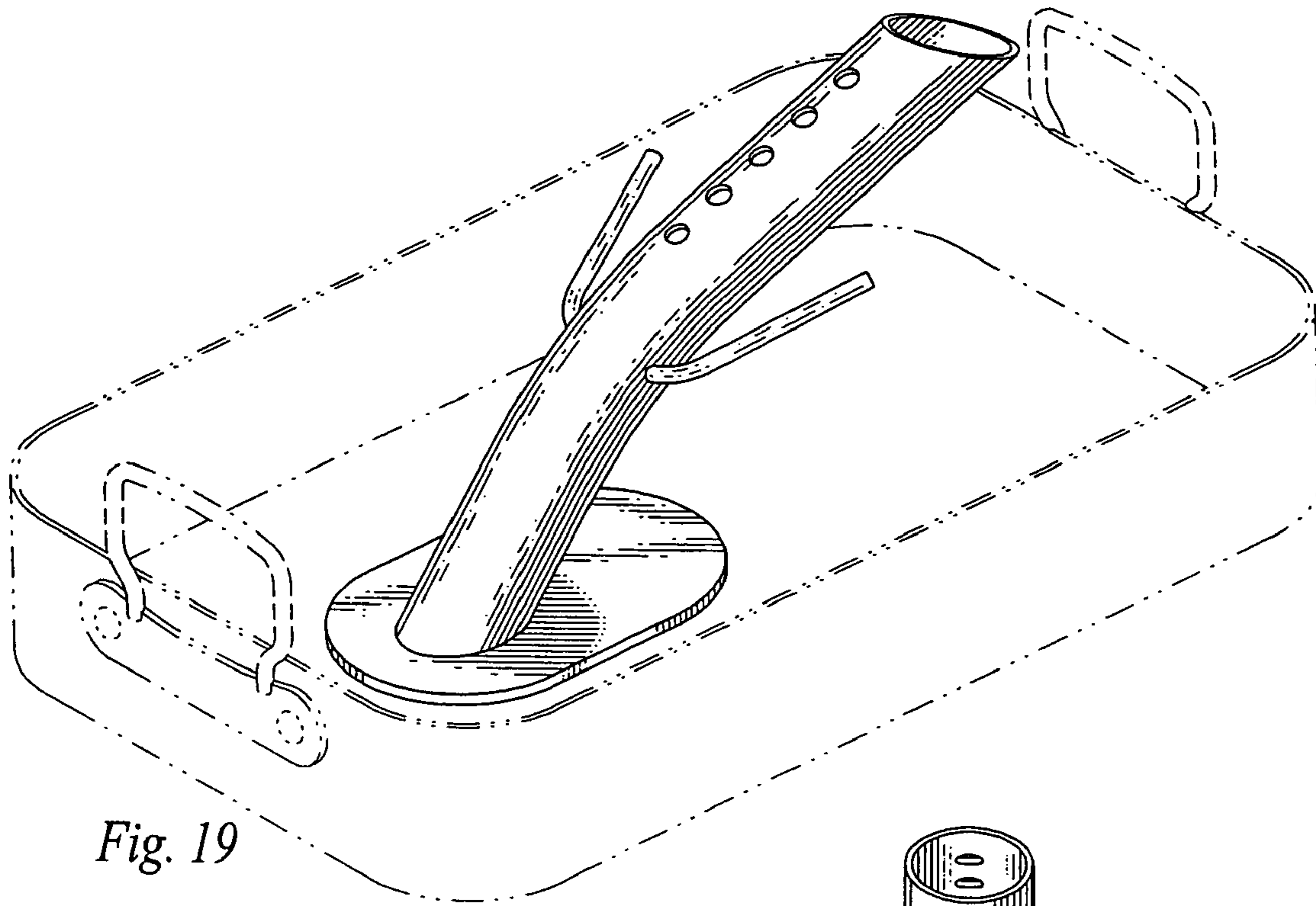


Fig. 19

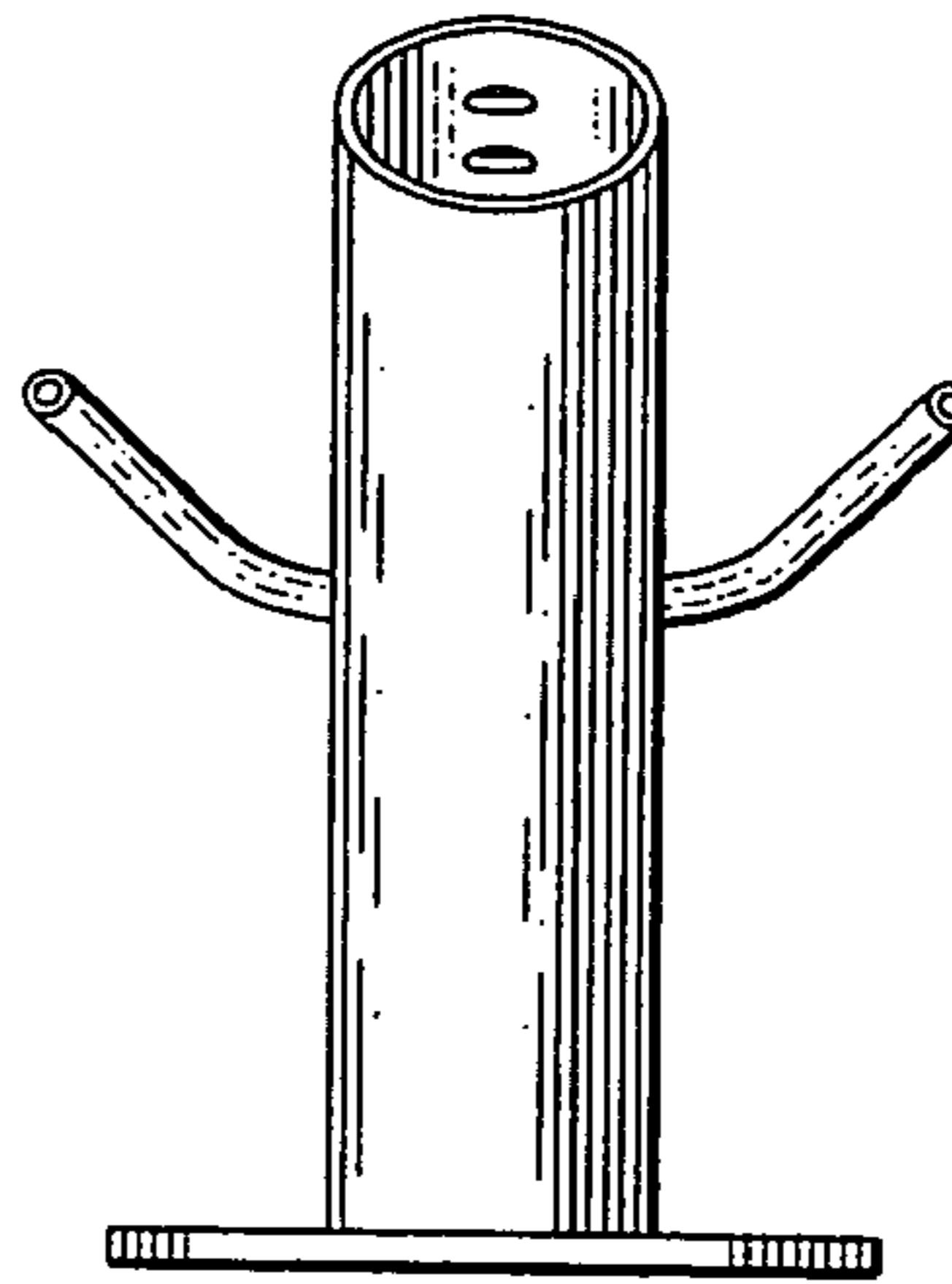


Fig. 20

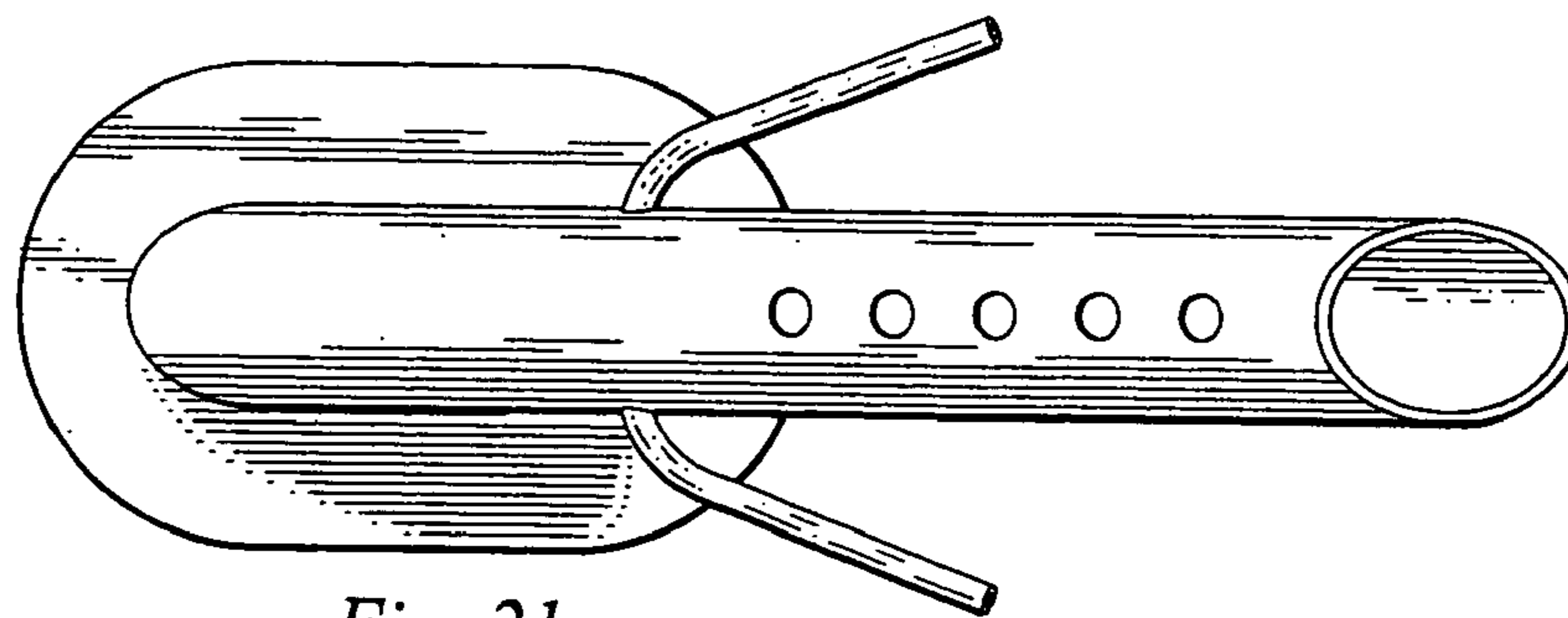


Fig. 21

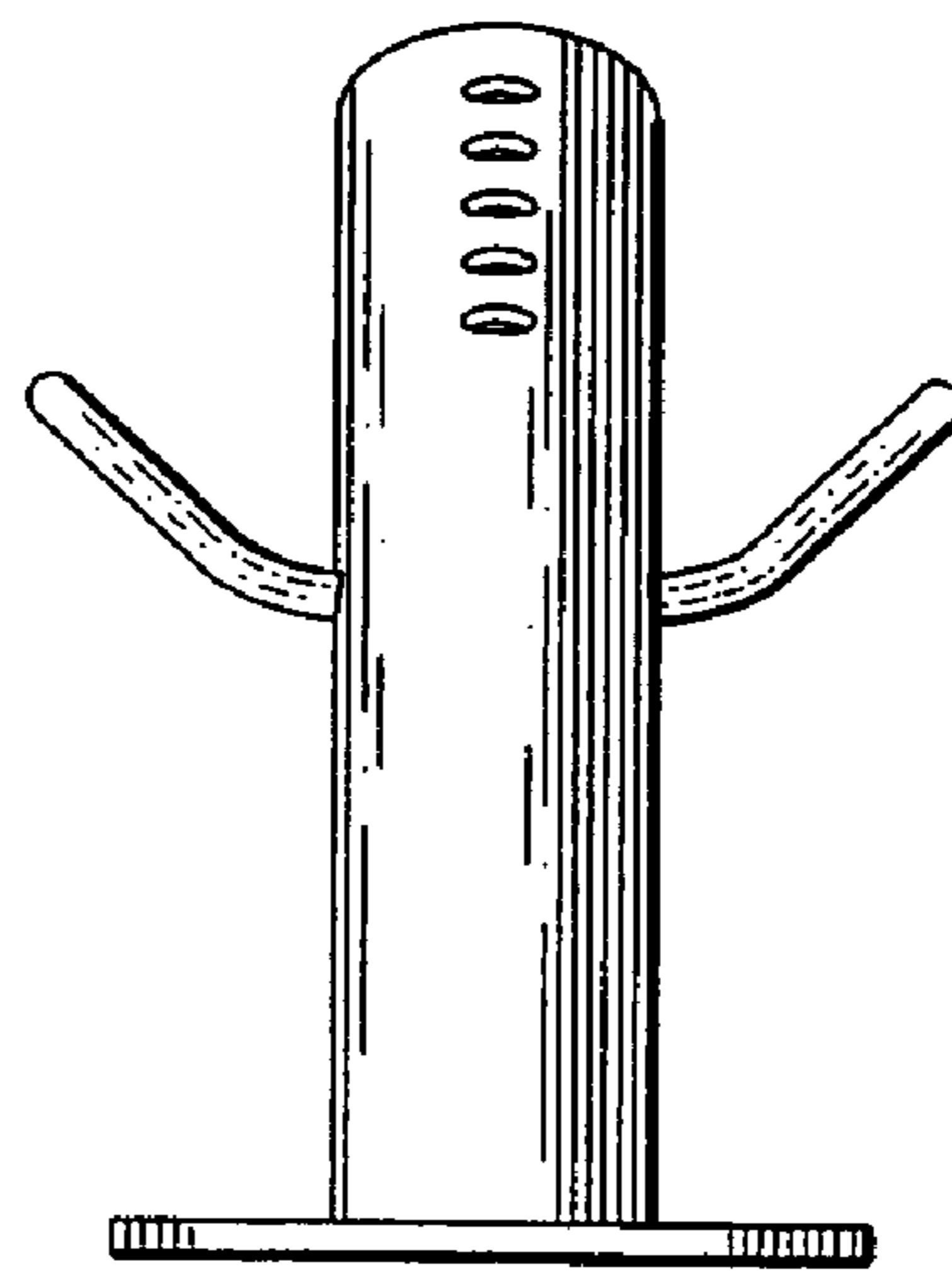
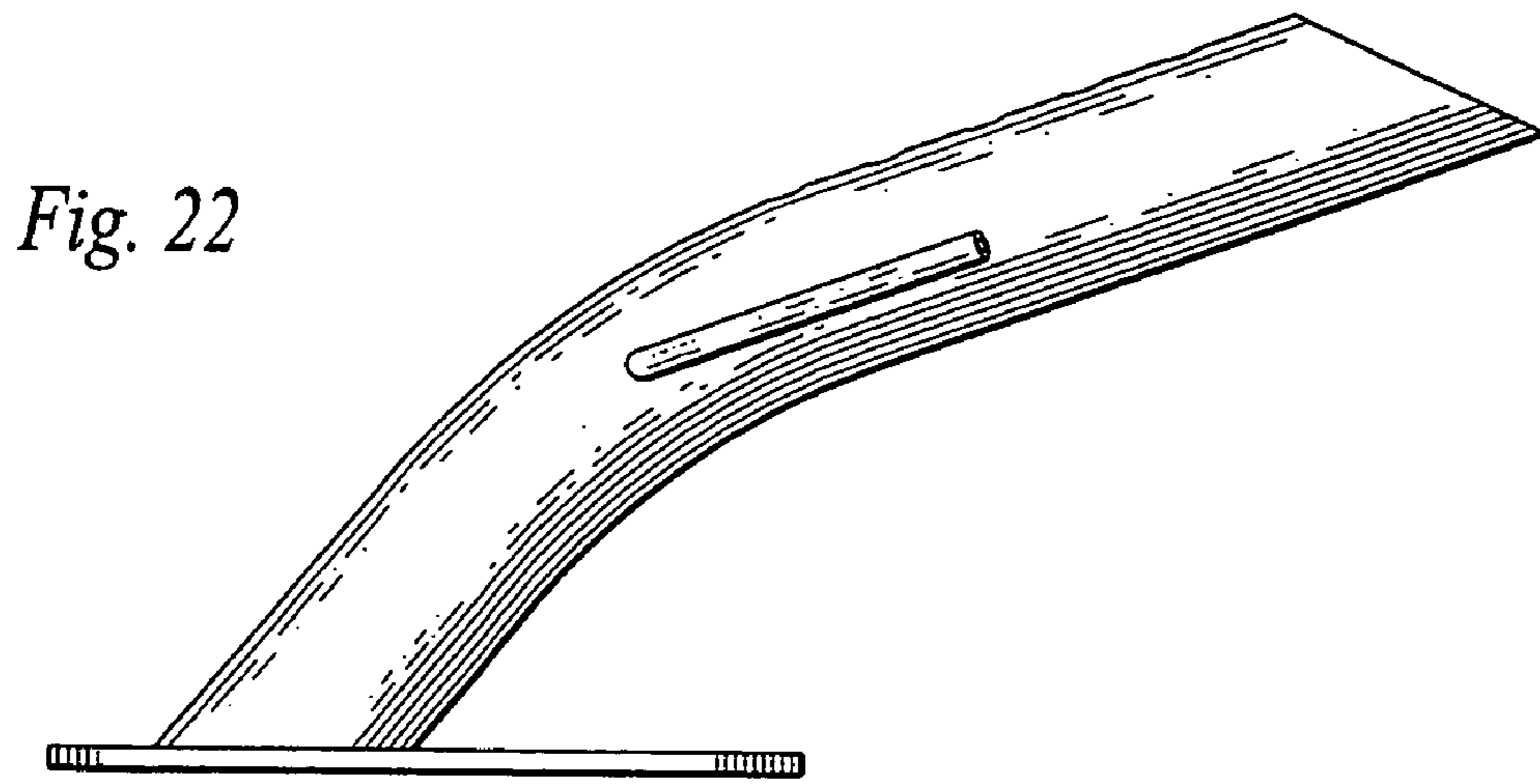


Fig. 23

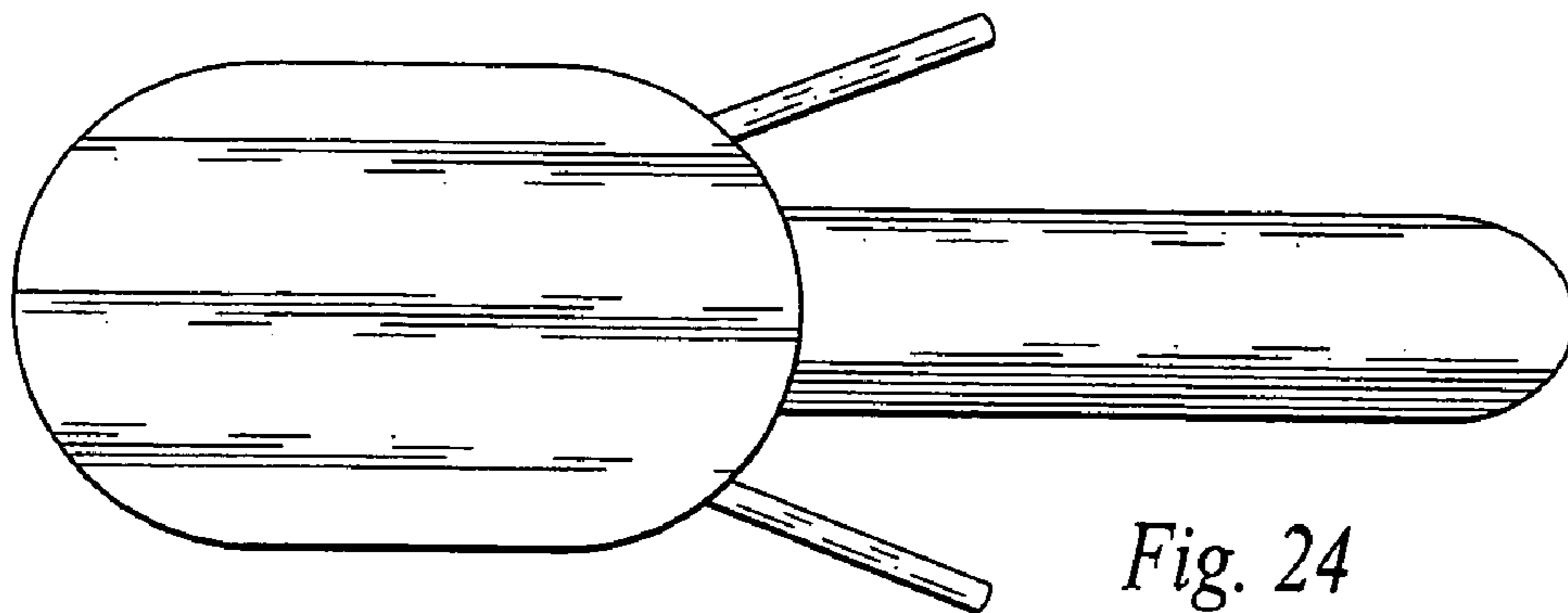


Fig. 24

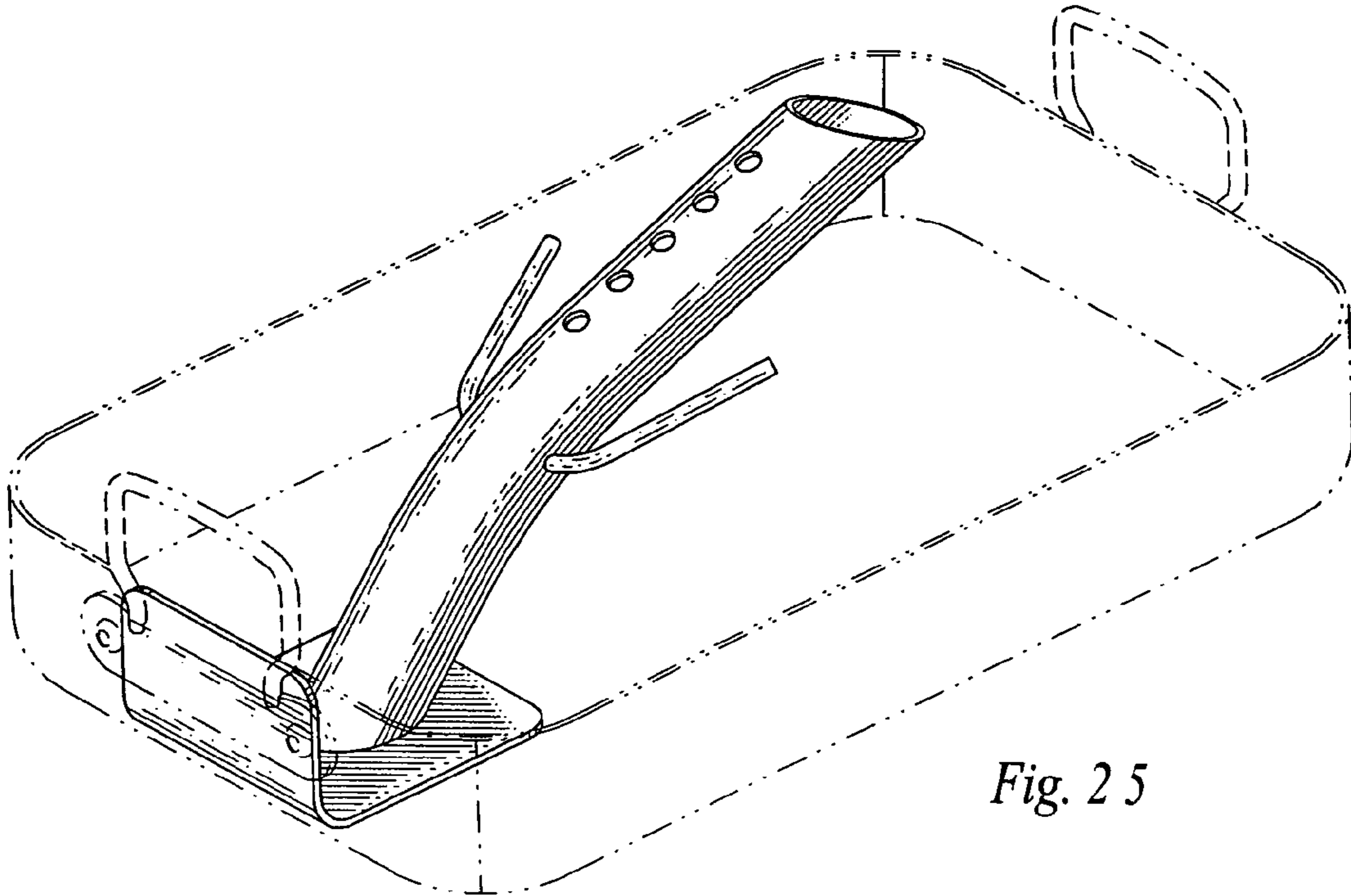


Fig. 25

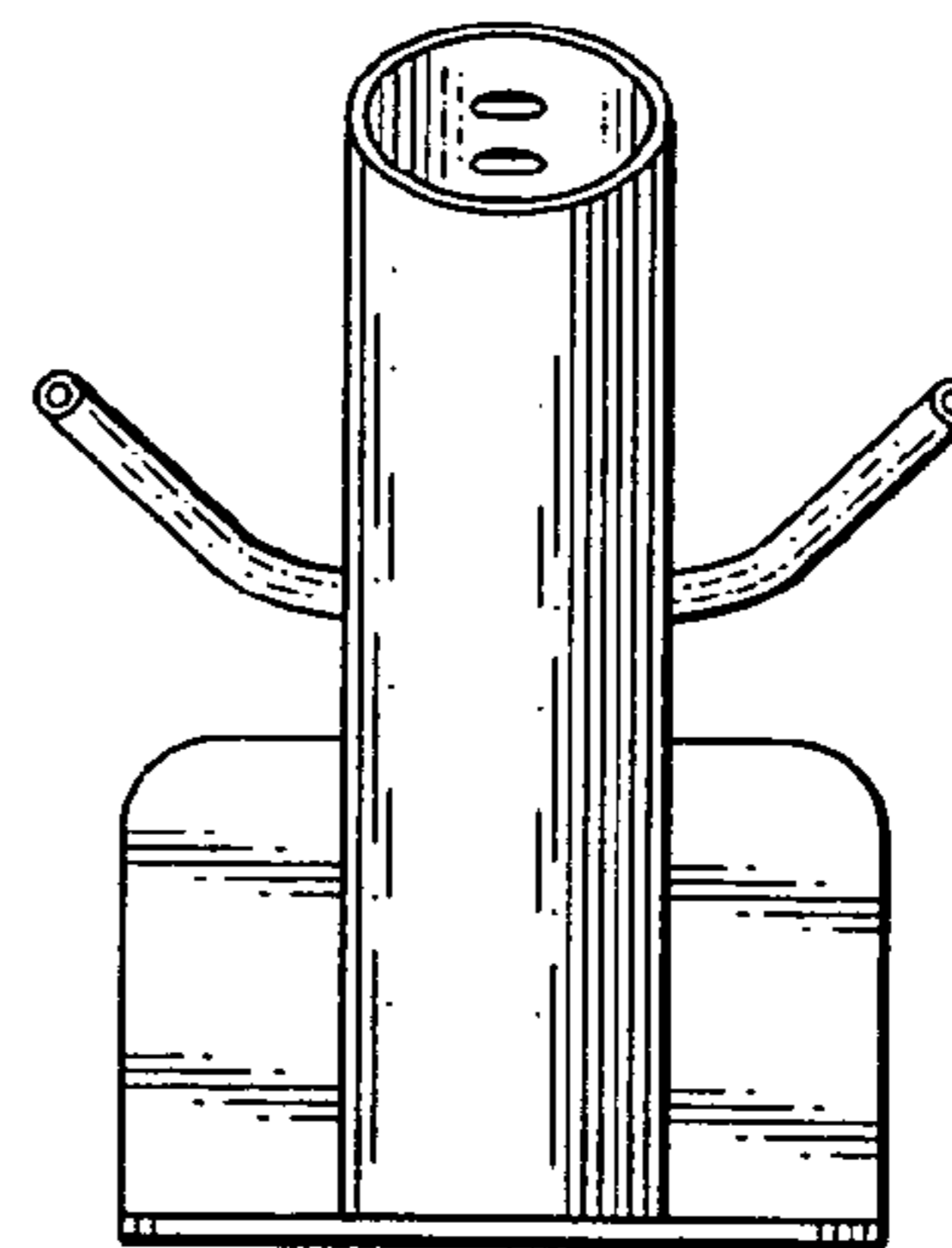


Fig. 26

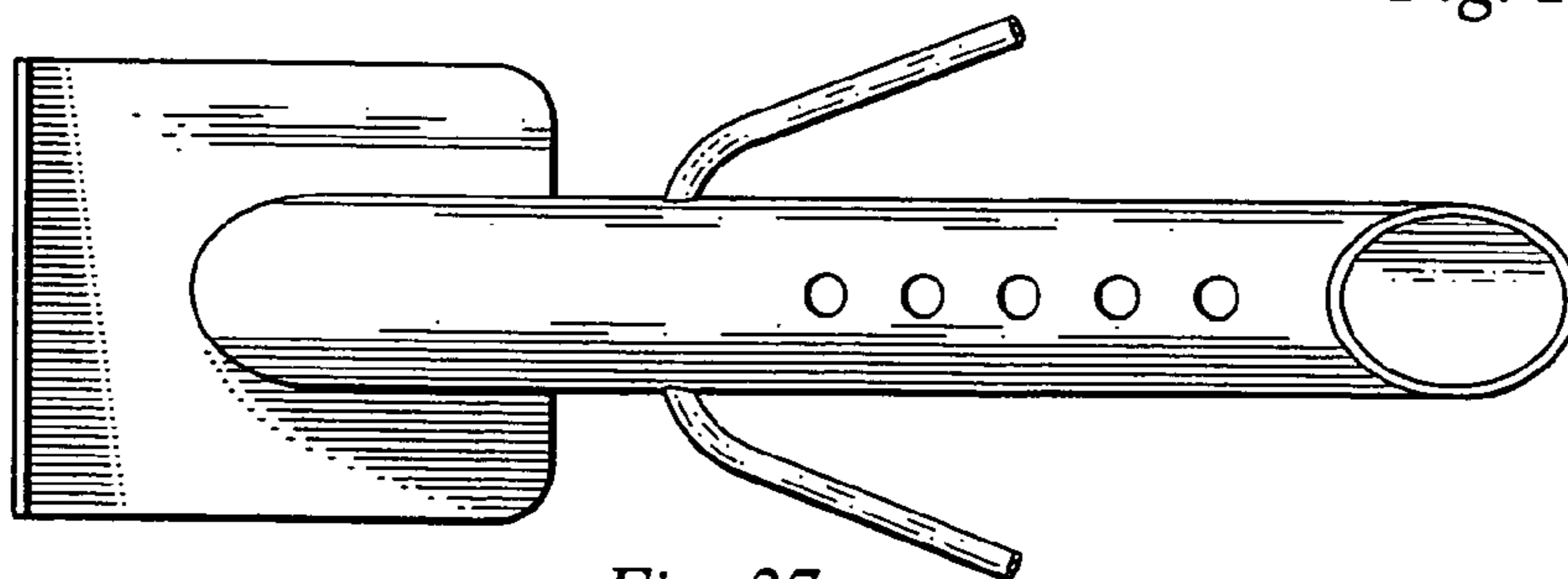


Fig. 27

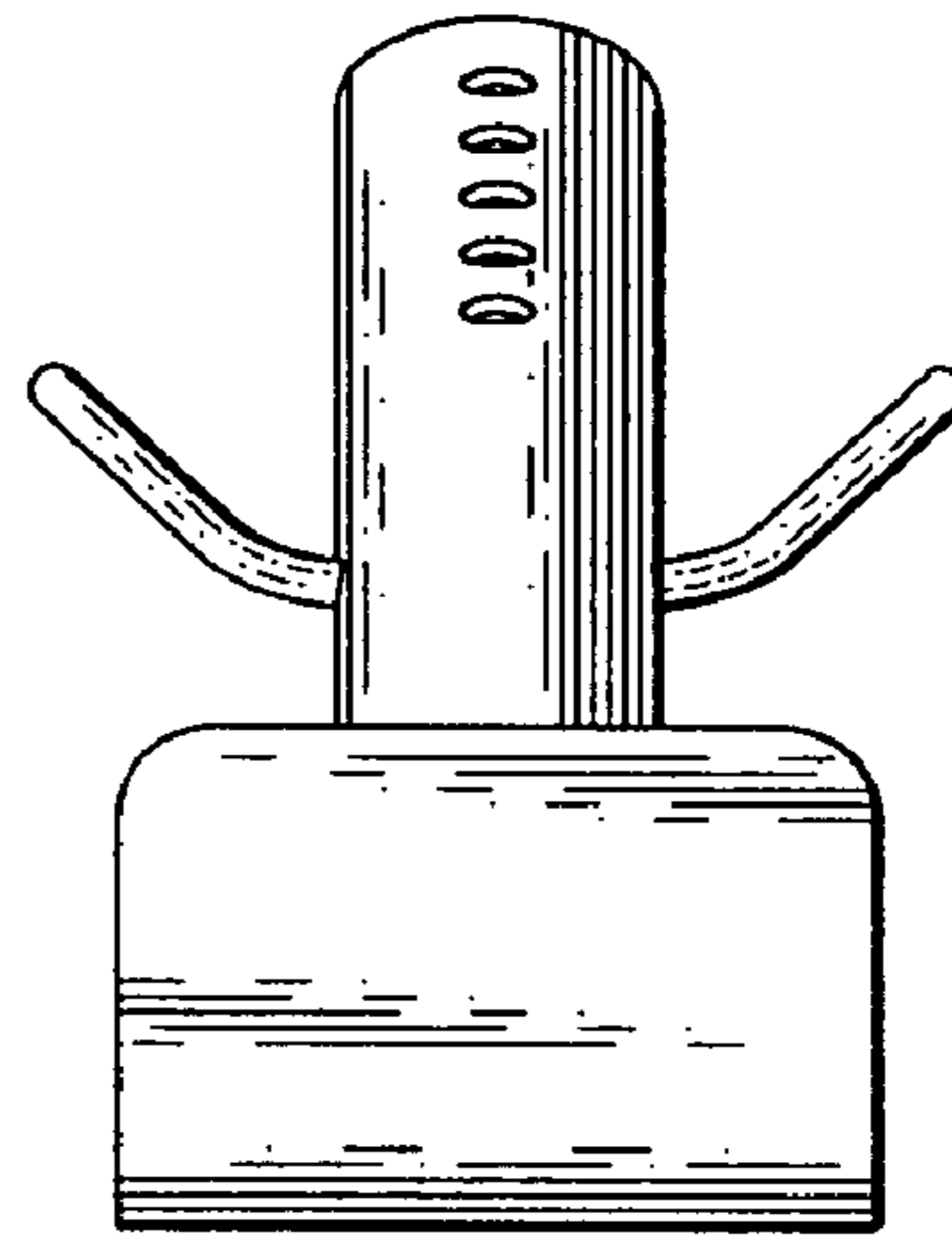
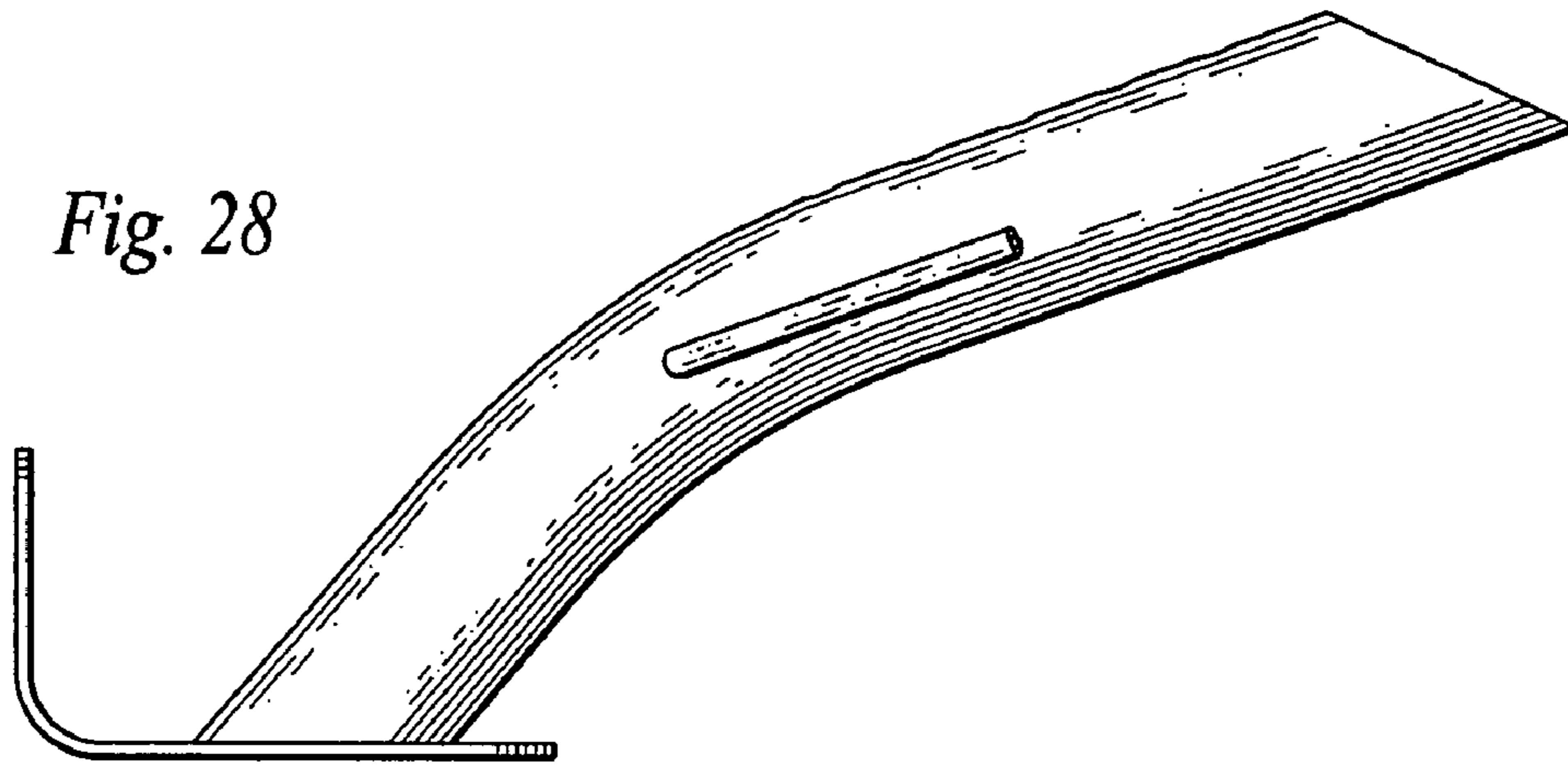


Fig. 29

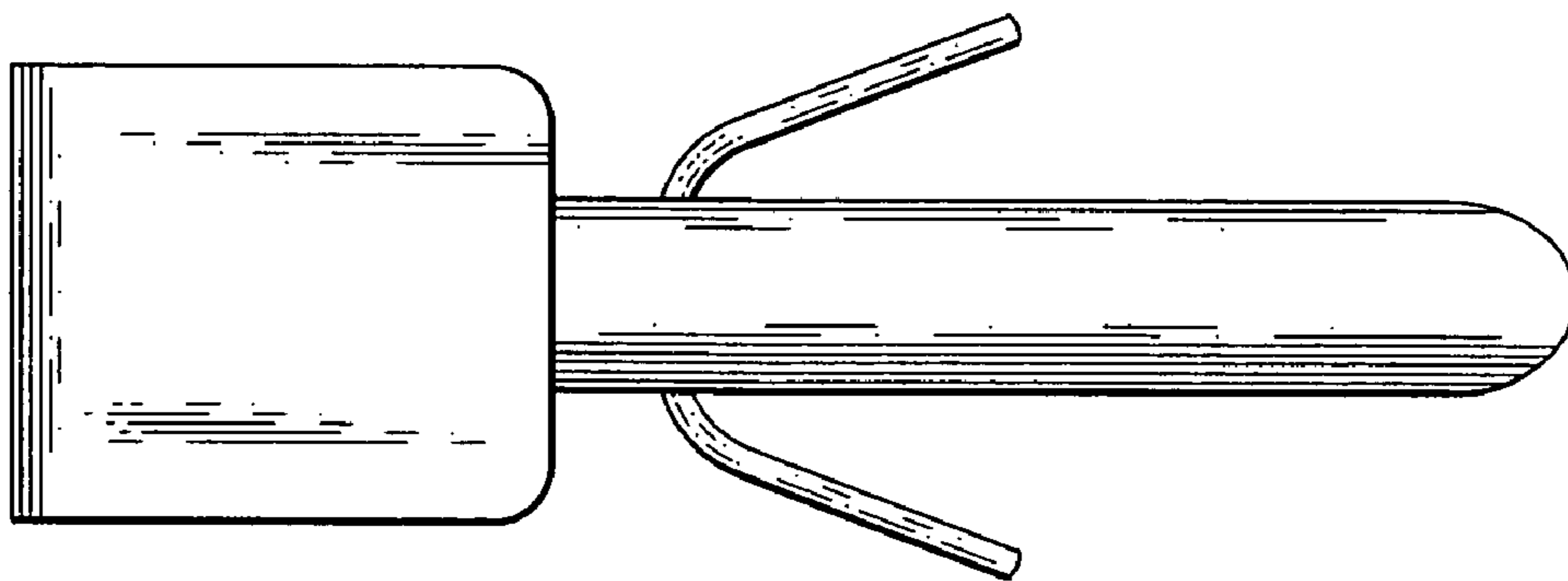


Fig. 30