

US00D554427S

(12) **United States Design Patent**
Sands

(10) **Patent No.:** **US D554,427 S**

(45) **Date of Patent:** **** Nov. 6, 2007**

(54) **COMBINED BLENDER BASE AND CONTAINER**

(75) Inventor: **Lenny Sands**, Encino, CA (US)

(73) Assignee: **Homeland Housewares, LLC**, Los Angeles, CA (US)

(**) Term: **14 Years**

(21) Appl. No.: **29/285,439**

(22) Filed: **Mar. 28, 2007**

(51) **LOC (8) Cl.** **31-00**

(52) **U.S. Cl.** **D7/378**

(58) **Field of Classification Search** D7/300.1,
D7/306, 313, 372-386, 412, 413, 536, 665;
D14/413; 74/16; 99/509-511; 241/30,
241/33, 37.5, 101.01-101.02, 166-169.1,
241/199.12, 274-278.2, 285.1-285.3, 291,
241/292.1, 301; 318/443; 366/64-67, 98,
366/100, 129, 191, 197-201, 205-207, 219-221,
366/241-254, 279-292, 325.94, 330.4, 341-343
See application file for complete search history.

(56) **References Cited**

U.S. PATENT DOCUMENTS

D114,673 S * 5/1939 Cravaritis D7/300.1

(Continued)

Primary Examiner—Cathron C. Brooks

Assistant Examiner—Ricky Pham

(74) *Attorney, Agent, or Firm*—Cislo & Thomas, LLP

(57) **CLAIM**

The ornamental design for a combined blender base and container, as shown and described.

DESCRIPTION

FIG. 1 is a perspective view of a combined blender base and container, in accordance with an embodiment of the present invention.

FIG. 2 is a front view of the combined blender base and container of FIG. 1.

FIG. 3 is a side view of the combined blender base and container of FIG. 1.

FIG. 4 is an opposing side view of the combined blender base and container of FIG. 1.

FIG. 5 is a rear view of the combined blender base and container of FIG. 1.

FIG. 6 is a top view of the combined blender base and container of FIG. 1.

FIG. 7 is a bottom view of the combined blender base and container of FIG. 1.

FIG. 8 is an exploded perspective view of the combined blender base and container of FIG. 1.

FIG. 9 is a perspective view of the combined blender base and container, in accordance with an alternative embodiment of the present invention.

FIG. 10 is a front view of the combined blender base and container of FIG. 9.

FIG. 11 is a side view of the combined blender base and container of FIG. 9.

FIG. 12 is an opposing side view of the combined blender base and container of FIG. 9.

FIG. 13 is a rear view of the combined blender base and container of FIG. 9.

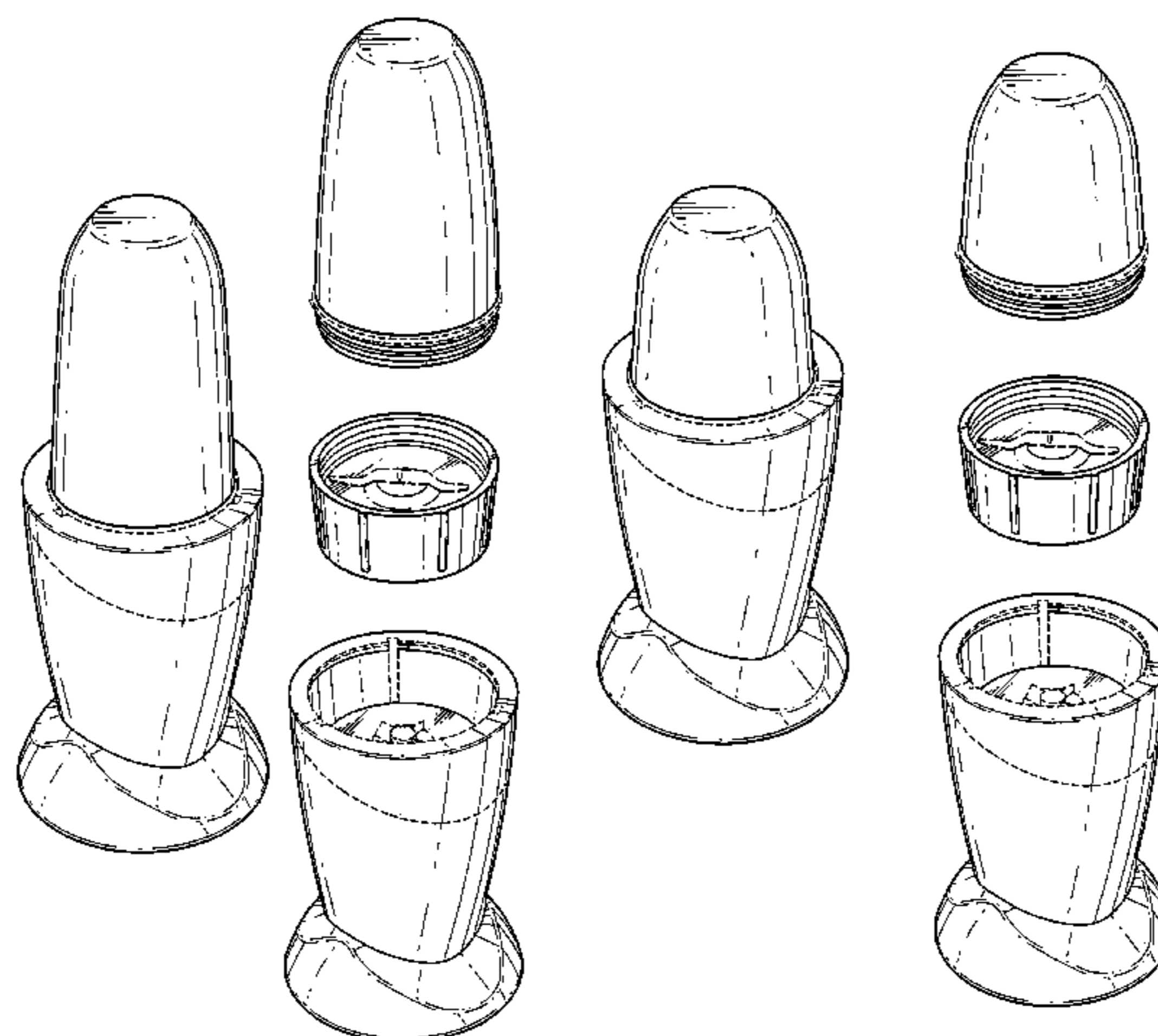
FIG. 14 is a top view of the combined blender base and container of FIG. 9.

FIG. 15 is a bottom view of the combined blender base and container of FIG. 9; and,

FIG. 16 is an exploded perspective view of the combined blender base and container of FIG. 9.

Any broken lines, shown throughout in the drawing figures, are included for the purpose of illustrating environmental structures only and form no part of the claimed design.

1 Claim, 14 Drawing Sheets



US D554,427 S

Page 2

U.S. PATENT DOCUMENTS

2,920,875	A *	1/1960	Marfuggi	366/197	D501,756	S *	2/2005	Nikkhah	D7/413
3,627,008	A *	12/1971	Samuelian	241/199.12	D501,759	S *	2/2005	Sands	D7/536
3,704,864	A *	12/1972	Lee	366/205	D518,994	S *	4/2006	Lin	D7/378
5,636,923	A *	6/1997	Nejat-Bina	366/205	D530,975	S *	10/2006	Fernandez	D7/378
D423,872	S *	5/2000	Blaise	D7/378	D532,648	S *	11/2006	Sands	D7/376
D487,668	S *	3/2004	Sands	D7/378	2005/0068847	A1 *	3/2005	Sands	366/205

* cited by examiner

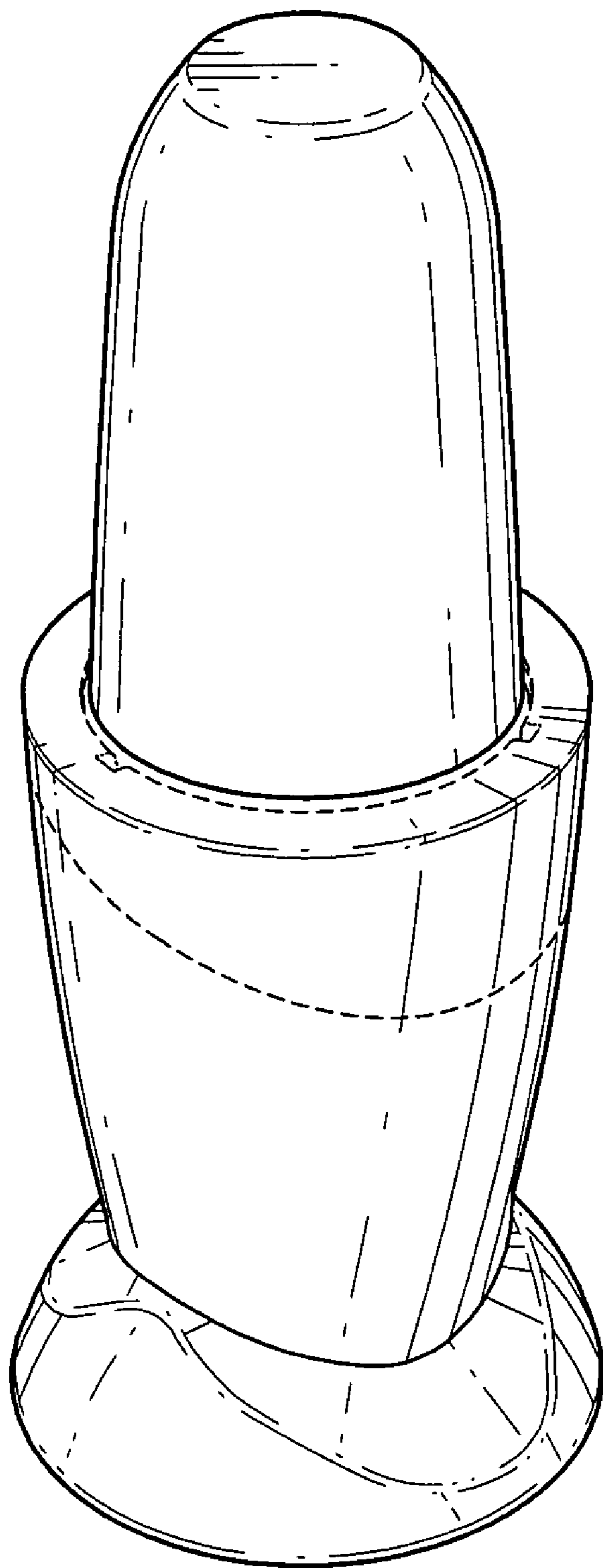


FIG. 1

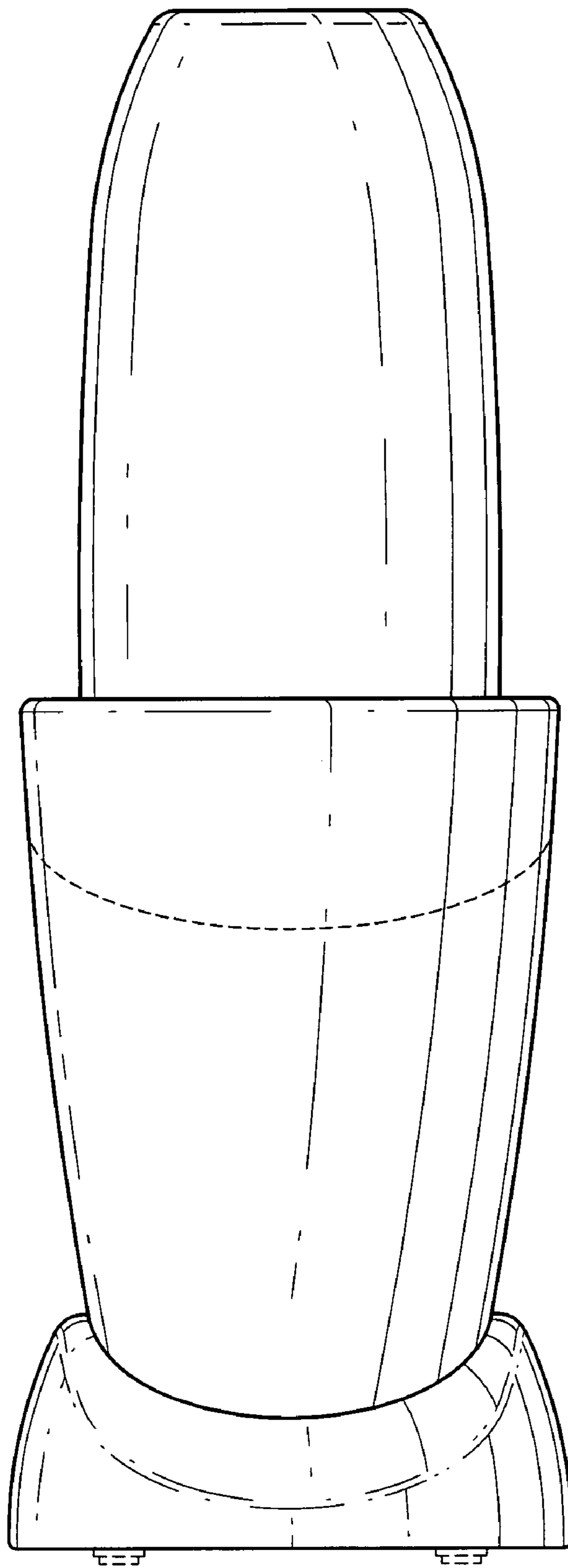


FIG. 2

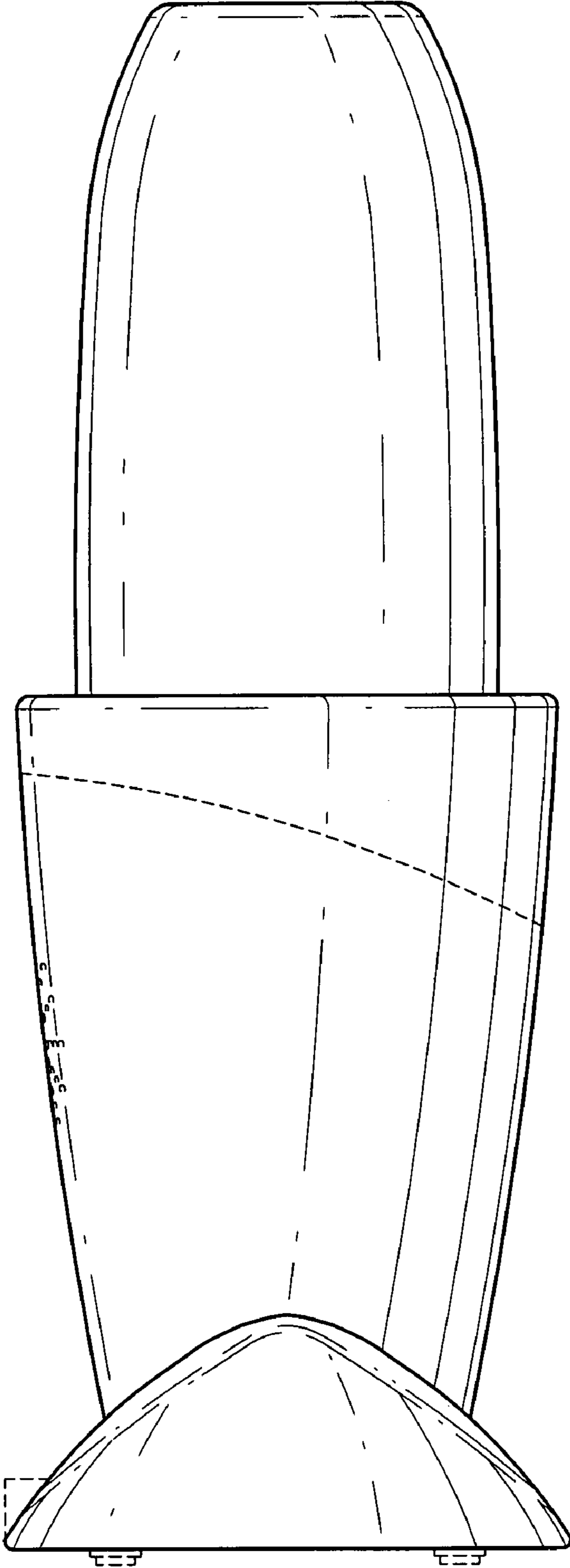


FIG. 3

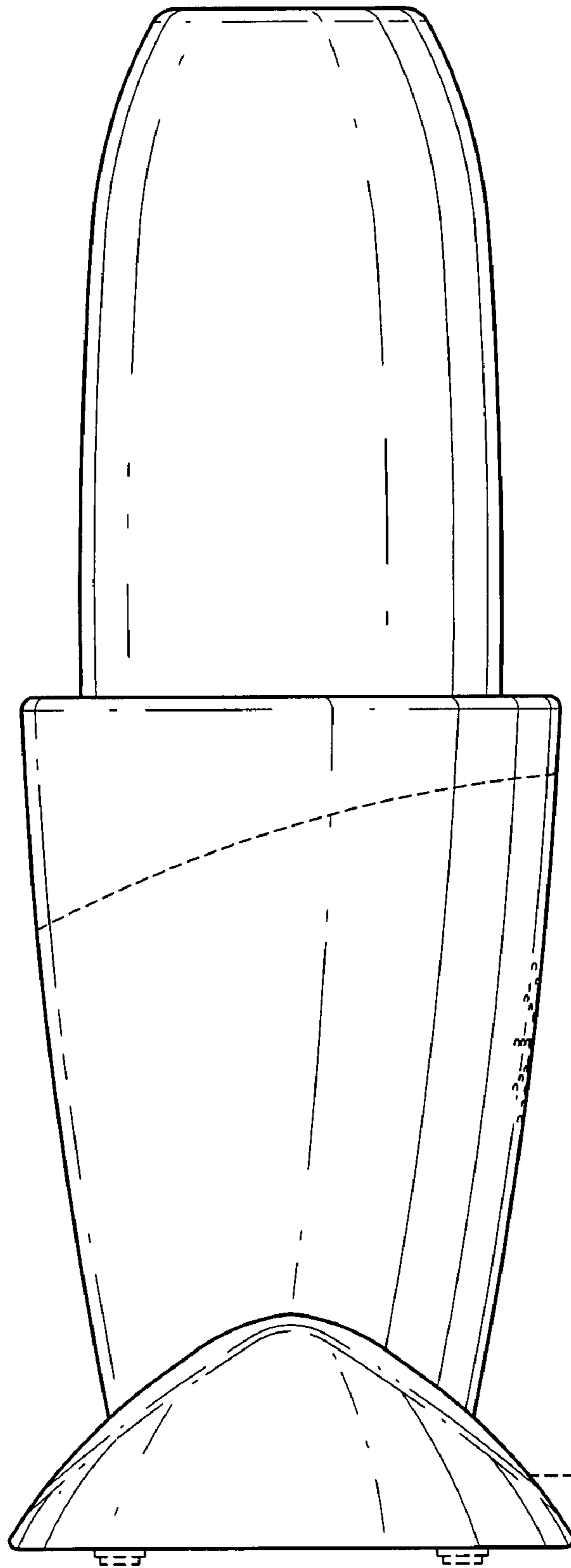


FIG. 4

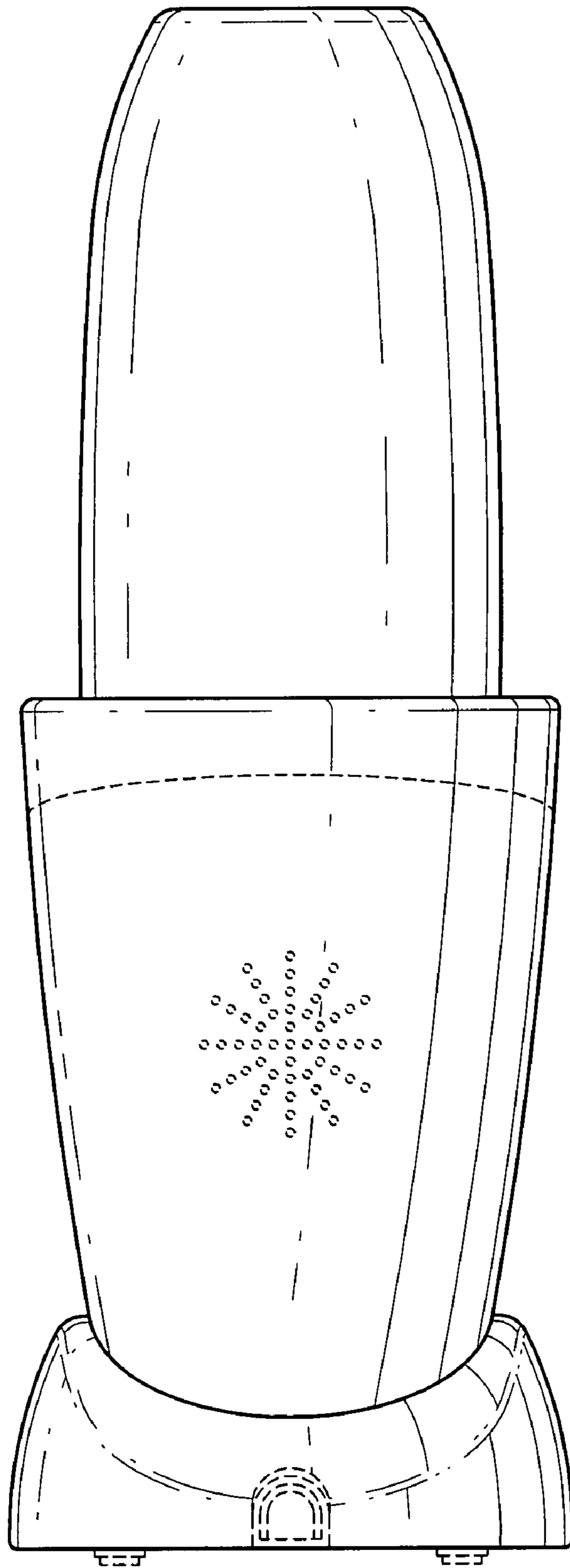


FIG. 5

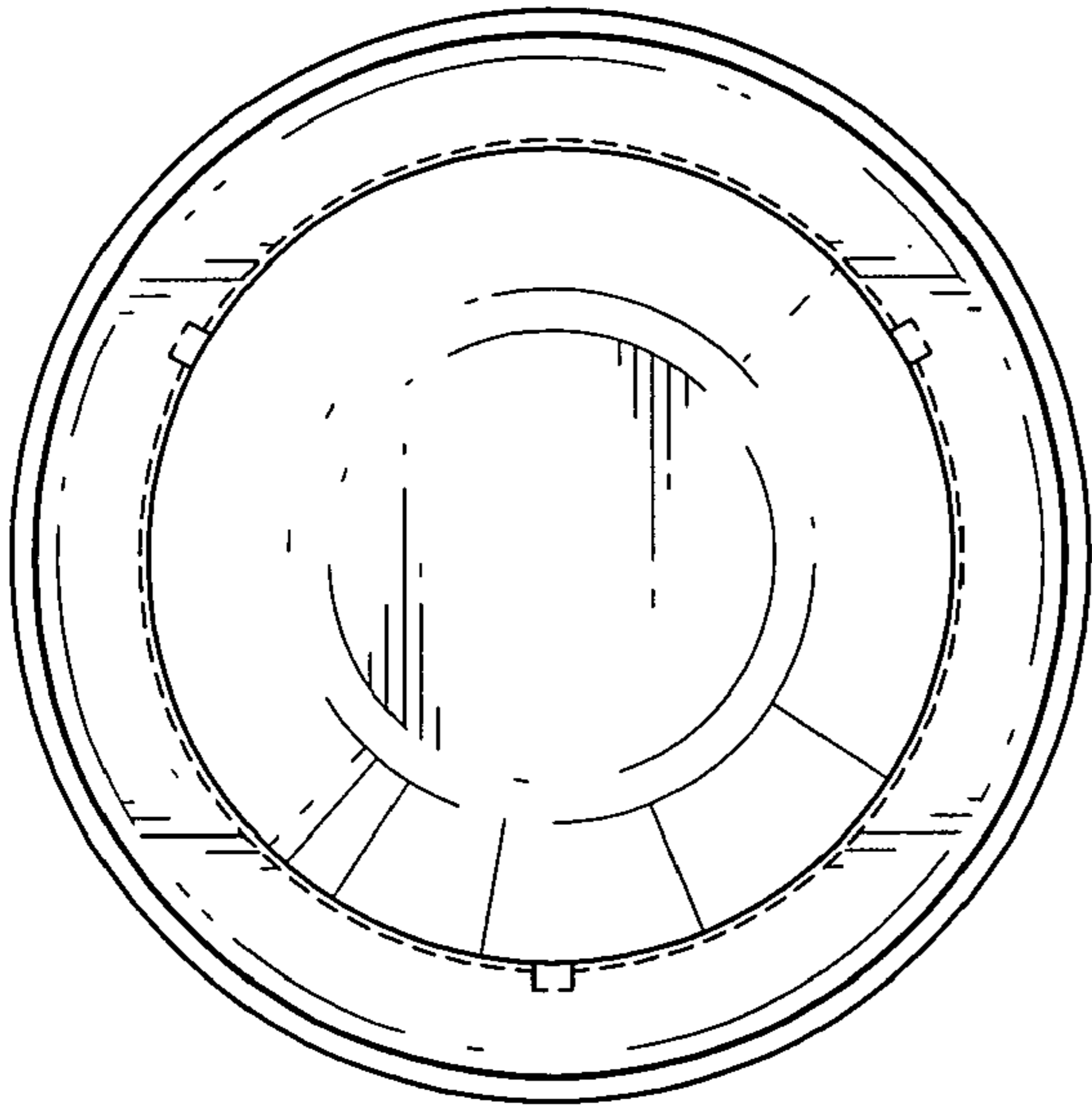


FIG. 6

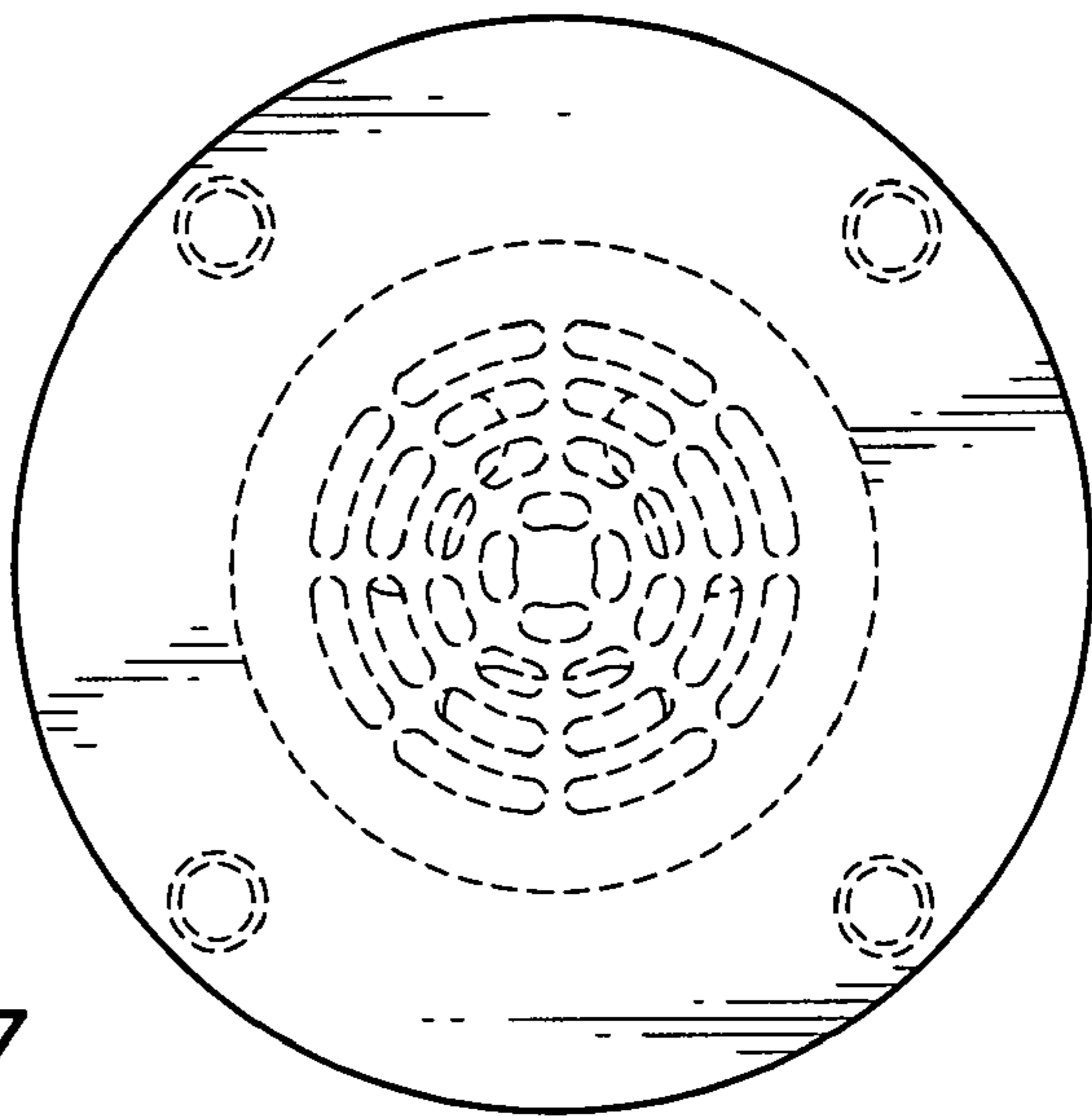
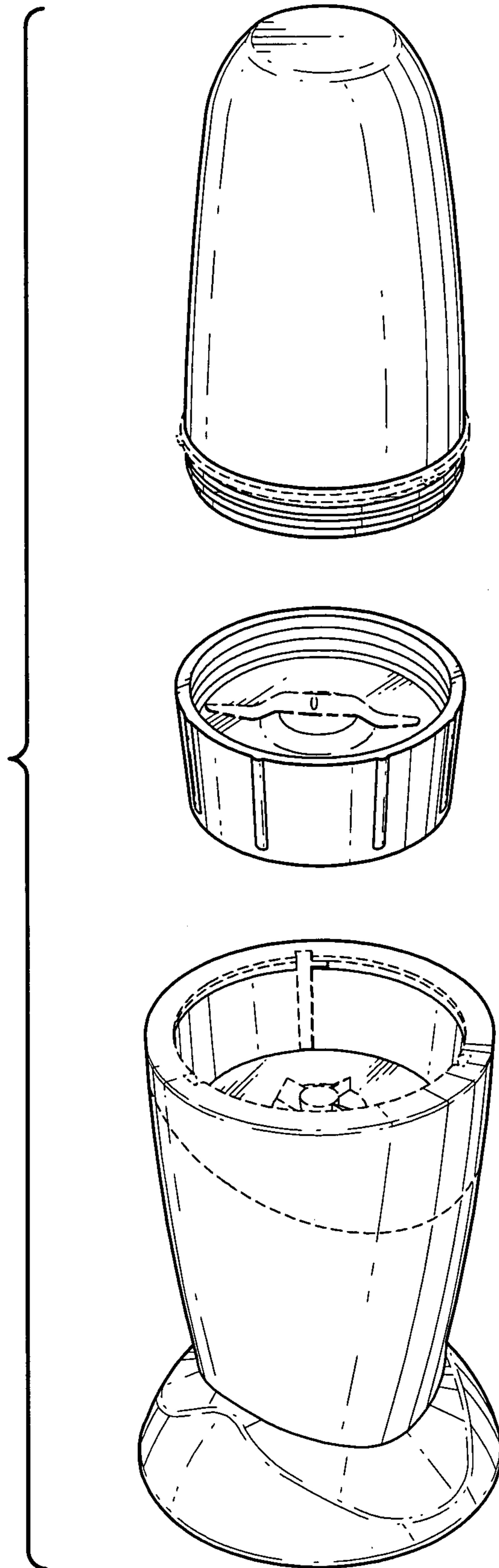


FIG. 7

FIG. 8



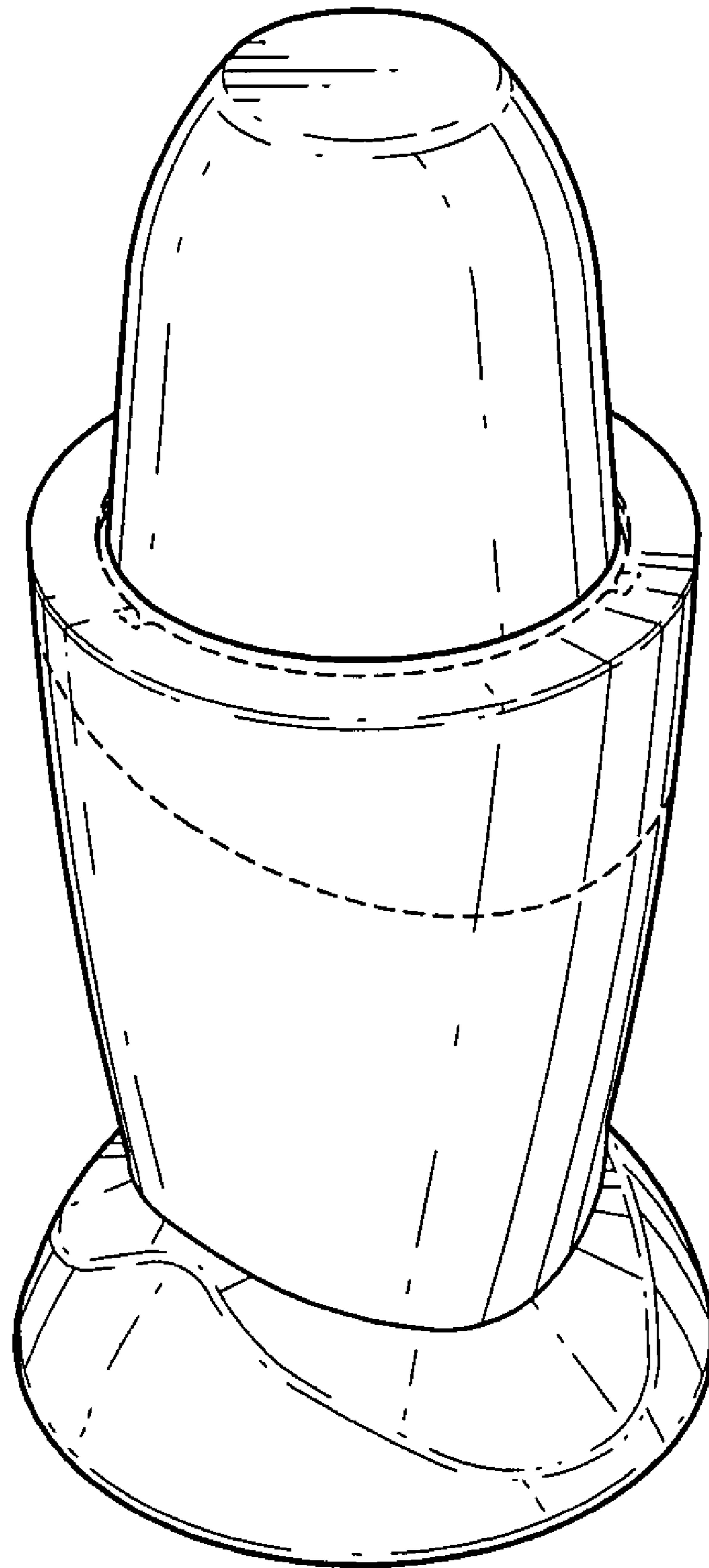


FIG. 9

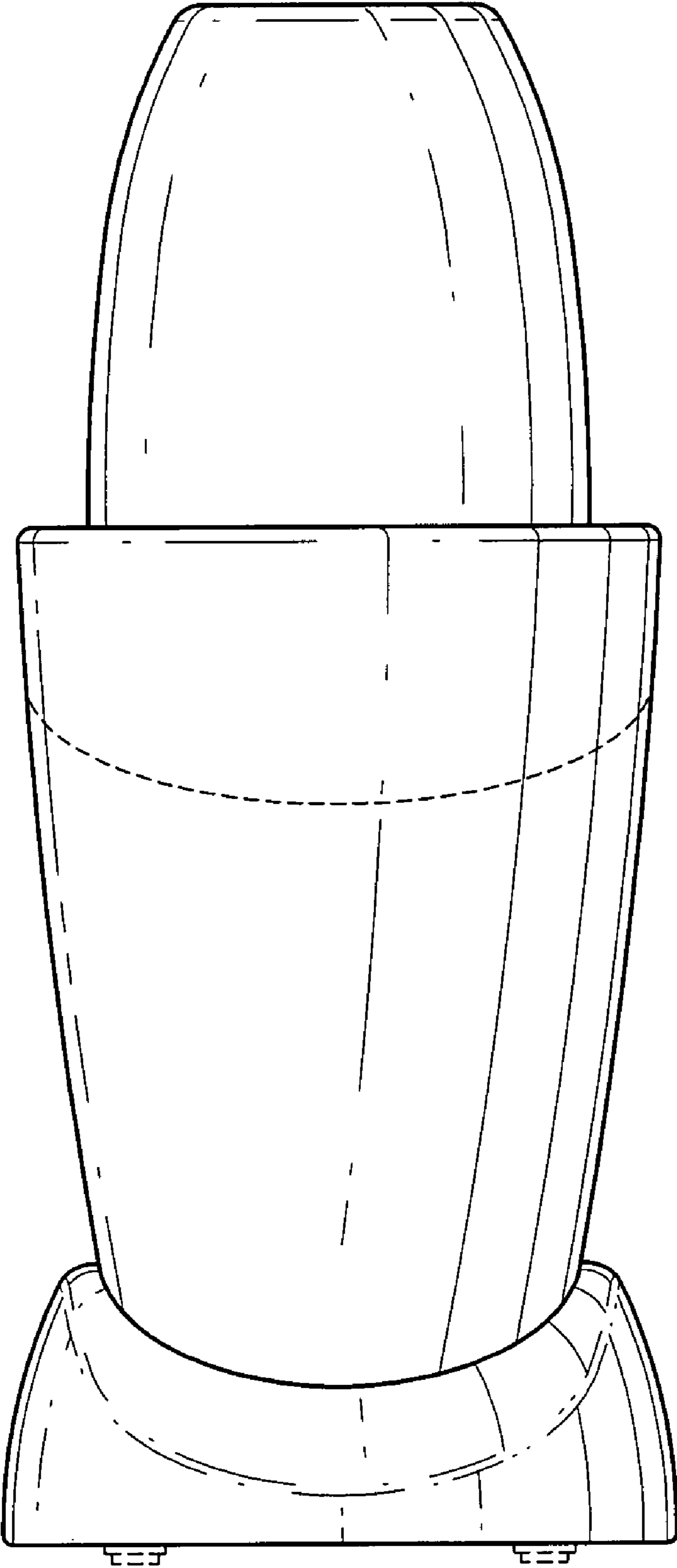


FIG. 10

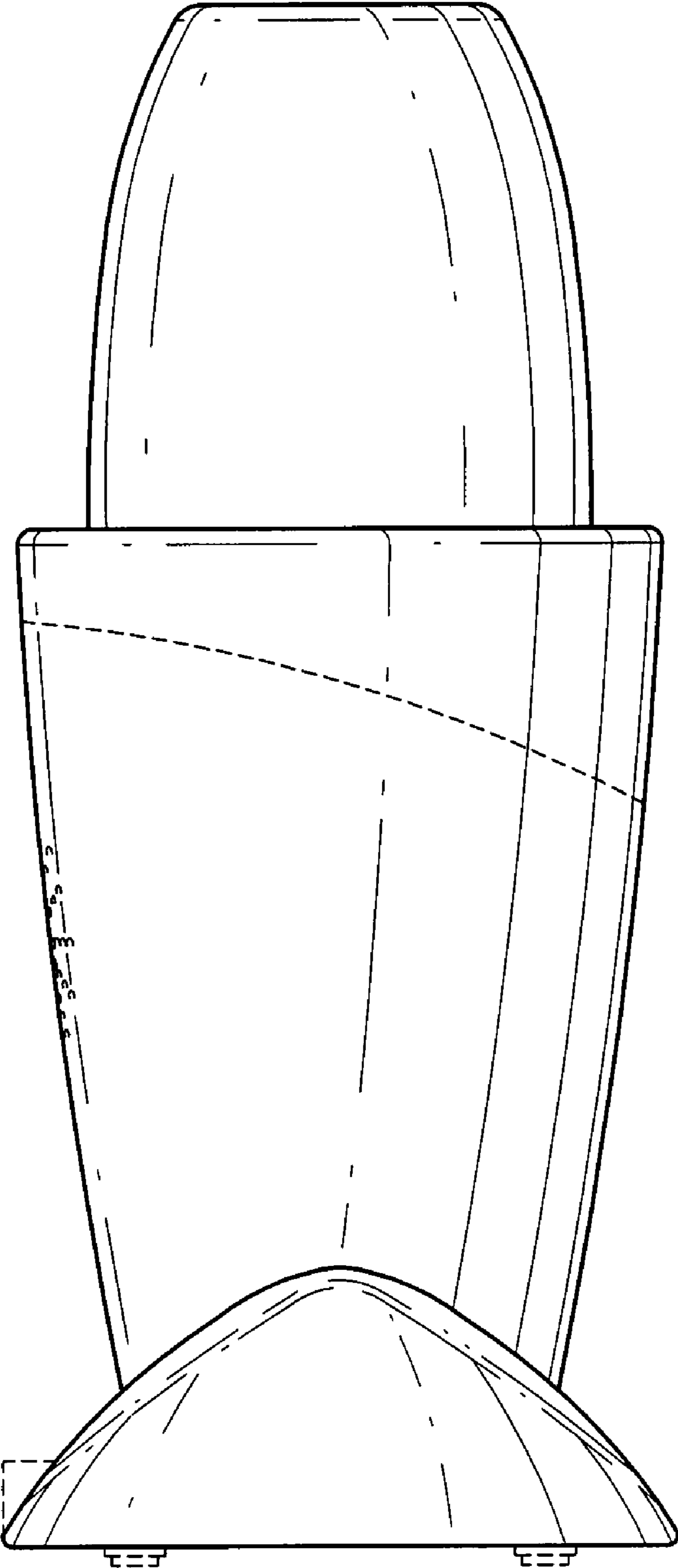


FIG. 11

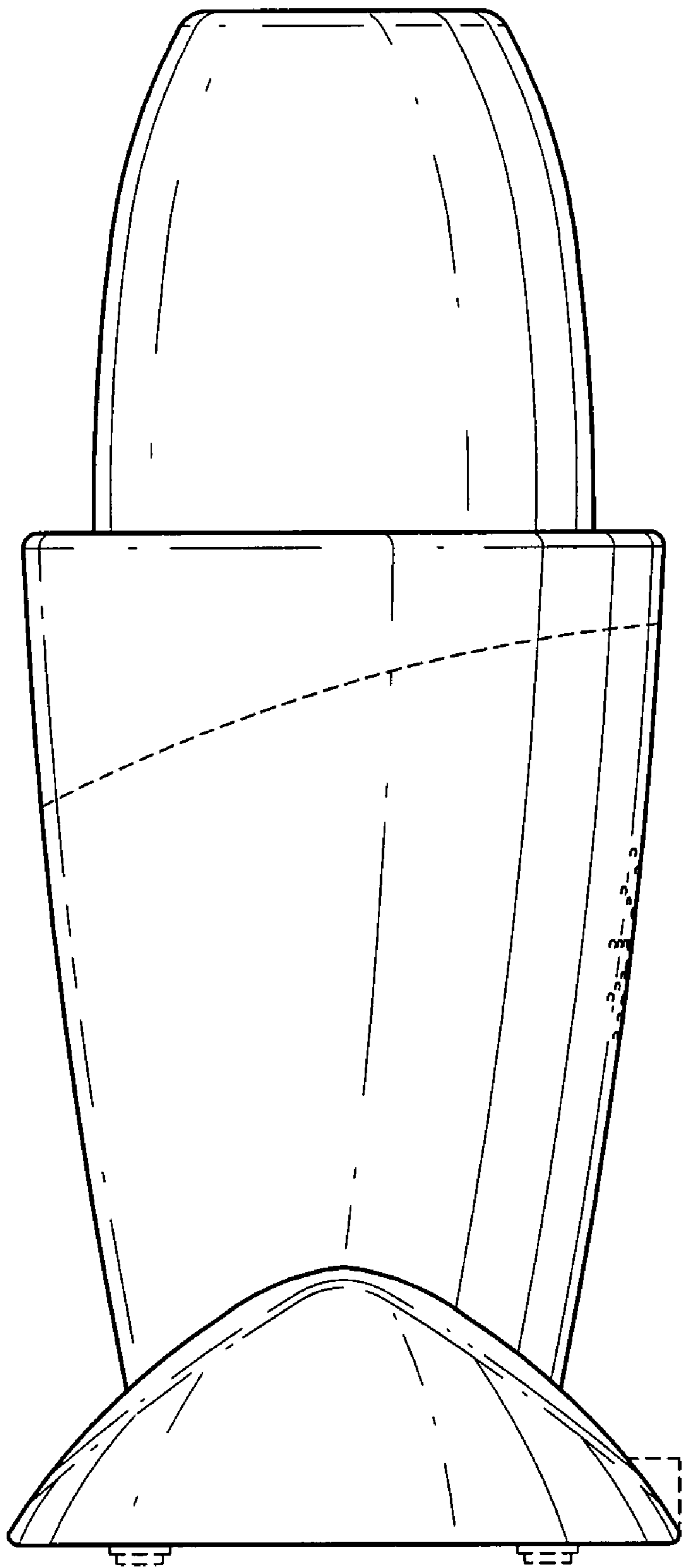


FIG. 12

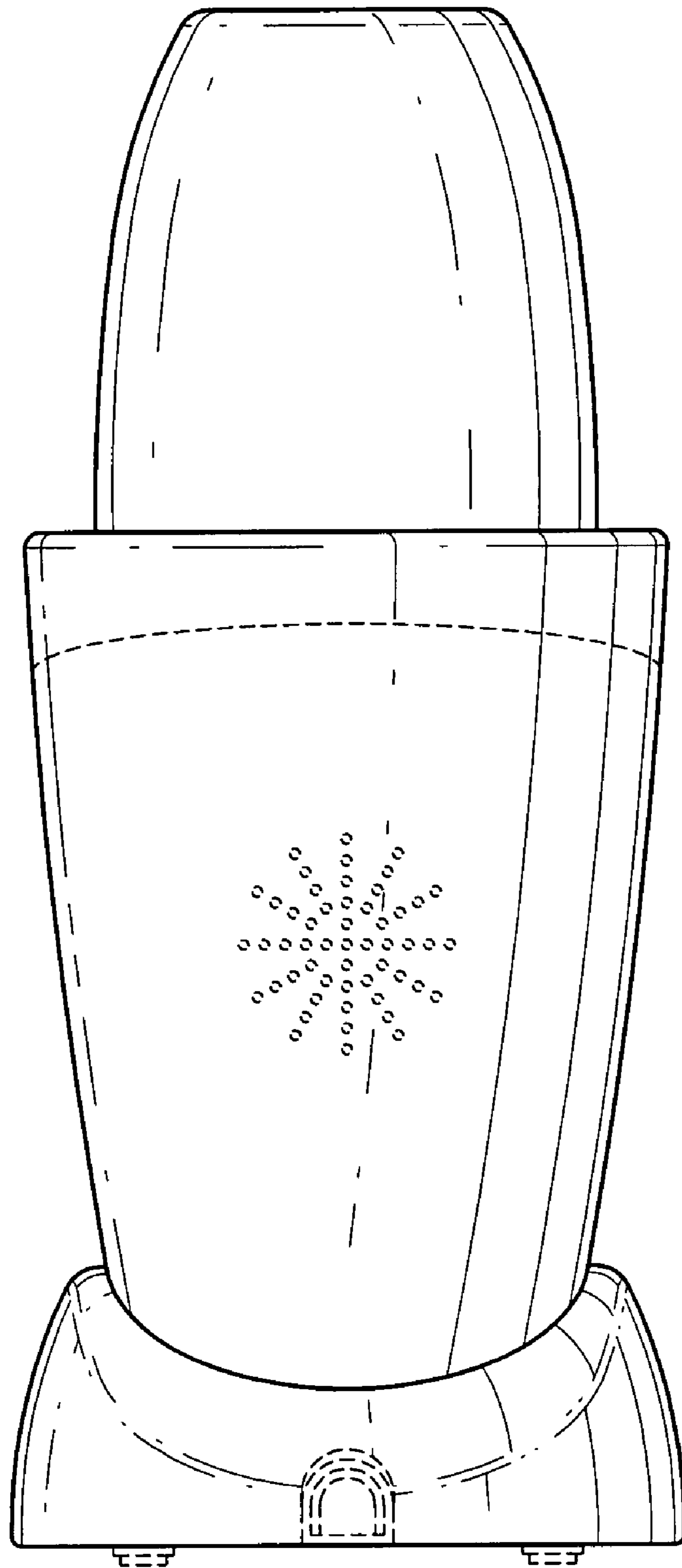


FIG. 13

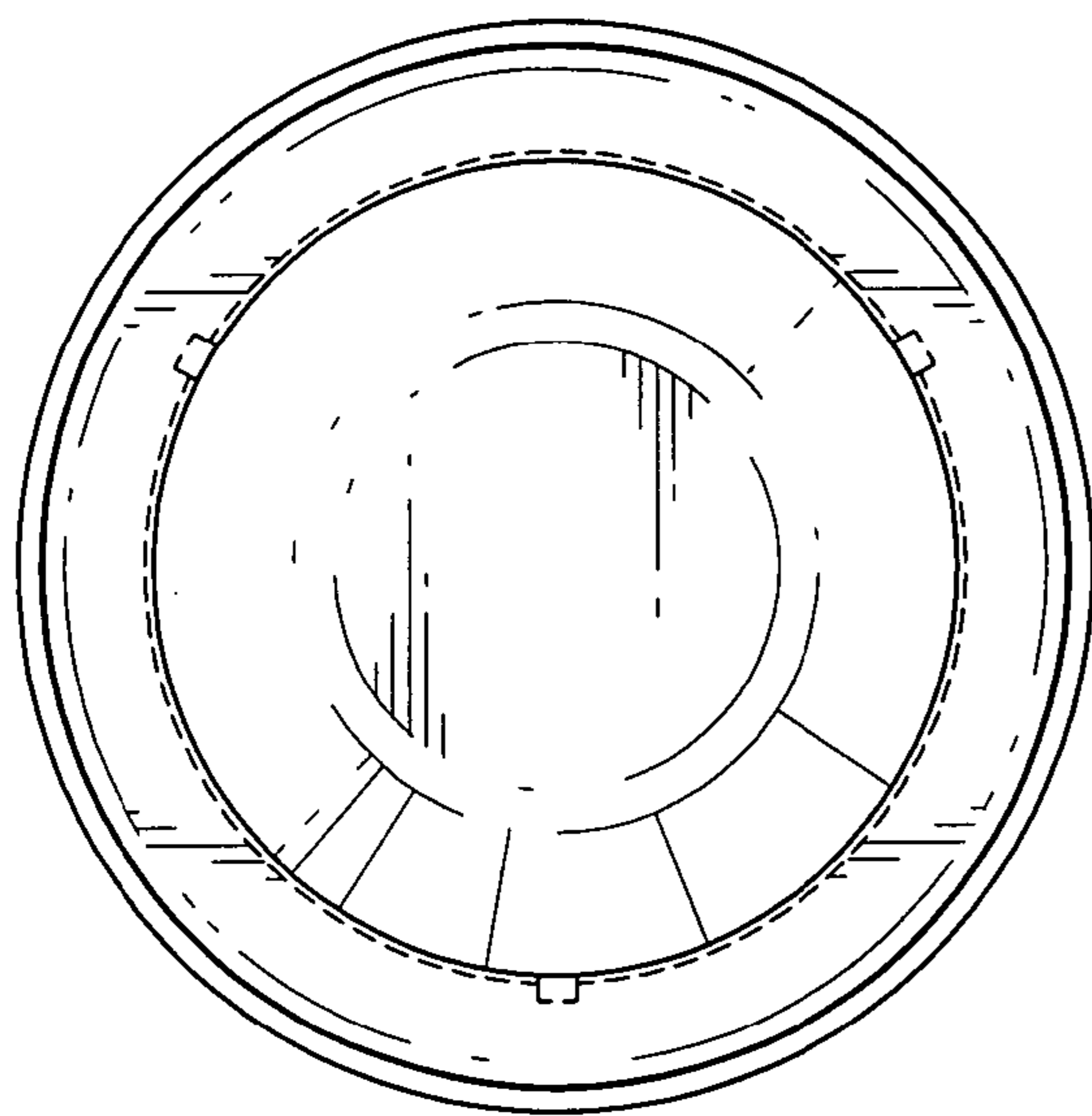


FIG. 14

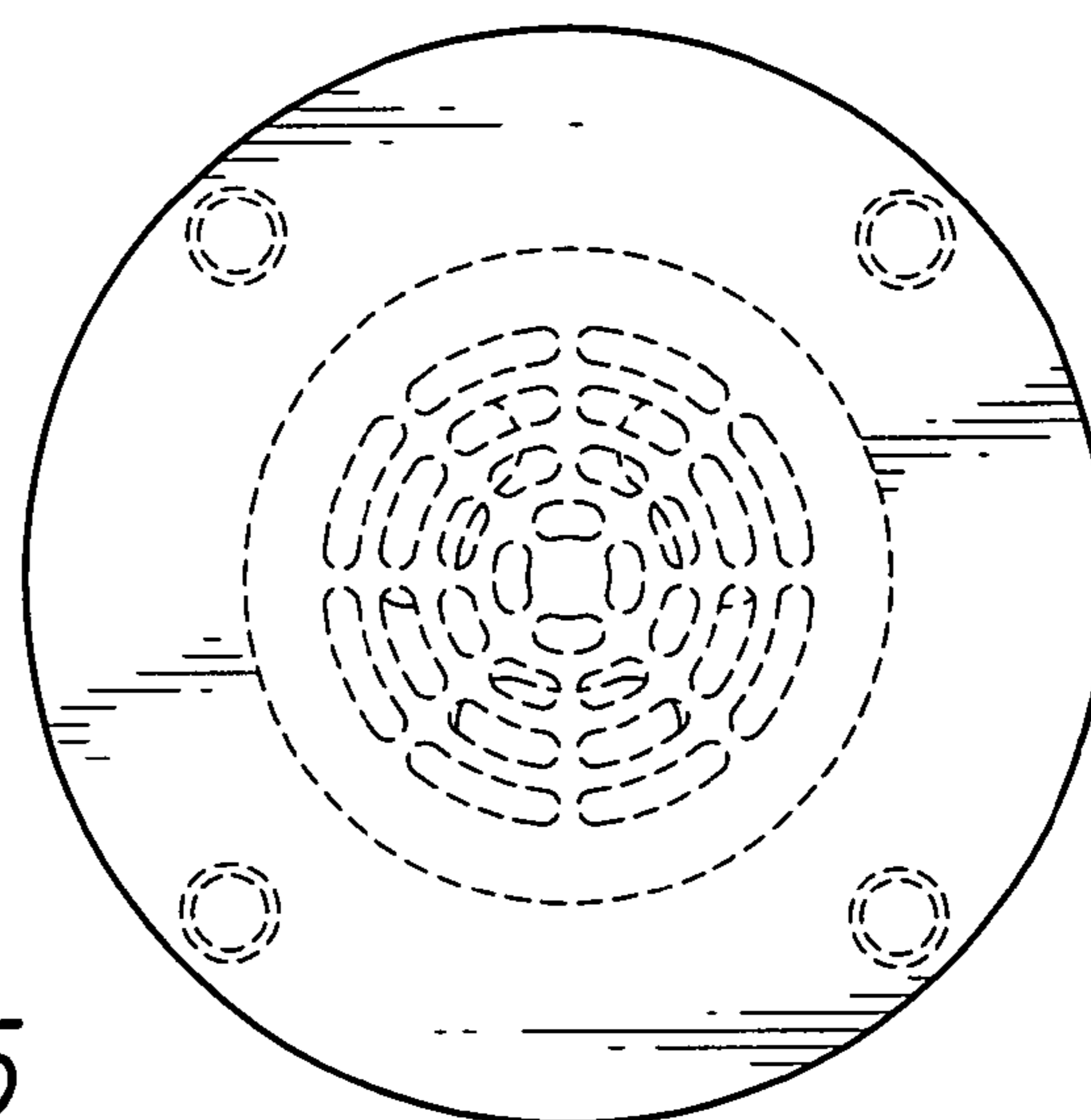


FIG. 15

FIG. 16

