



US00D554421S

(12) **United States Design Patent**  
**Sheppard**

(10) **Patent No.:** **US D554,421 S**

(45) **Date of Patent:** **\*\* Nov. 6, 2007**

(54) **CIRCULAR SHELF**

D435,383 S \* 12/2000 Evans et al. .... D6/574  
D471,394 S \* 3/2003 Robinson ..... D6/574

(75) Inventor: **Peter Ralph Sheppard**, London (GB)

\* cited by examiner

(73) Assignee: **Smallbone USA, Inc.**, New York, NY (US)

*Primary Examiner*—Brian N Vinson  
(74) *Attorney, Agent, or Firm*—Alston & Bird LLP

(\*\*) Term: **14 Years**

(57) **CLAIM**

(21) Appl. No.: **29/247,988**

The ornamental design for a circular shelf, as shown and described.

(22) Filed: **Jul. 24, 2006**

(30) **Foreign Application Priority Data**

**DESCRIPTION**

Jan. 31, 2006 (GB) ..... 3023813

FIG. 1 is a perspective view of a circular shelf according to an embodiment of the present invention;

(51) **LOC (8) Cl.** ..... **06-04**

FIG. 2 is a front plan view of the circular shelf shown in FIG. 1;

(52) **U.S. Cl.** ..... **D6/574**

(58) **Field of Classification Search** ..... D6/553,  
D6/567, 569–571, 574; 211/13.1, 42, 70.01,  
211/86.01, 87.01, 90.01, 90.04, 134  
See application file for complete search history.

FIG. 3 is a right side plan view of the circular shelf shown in FIG. 1, the left side plan view is a mirror image of the right side plan view;

(56) **References Cited**

FIG. 4 is a top plan view the circular shelf shown in FIG. 1; and,

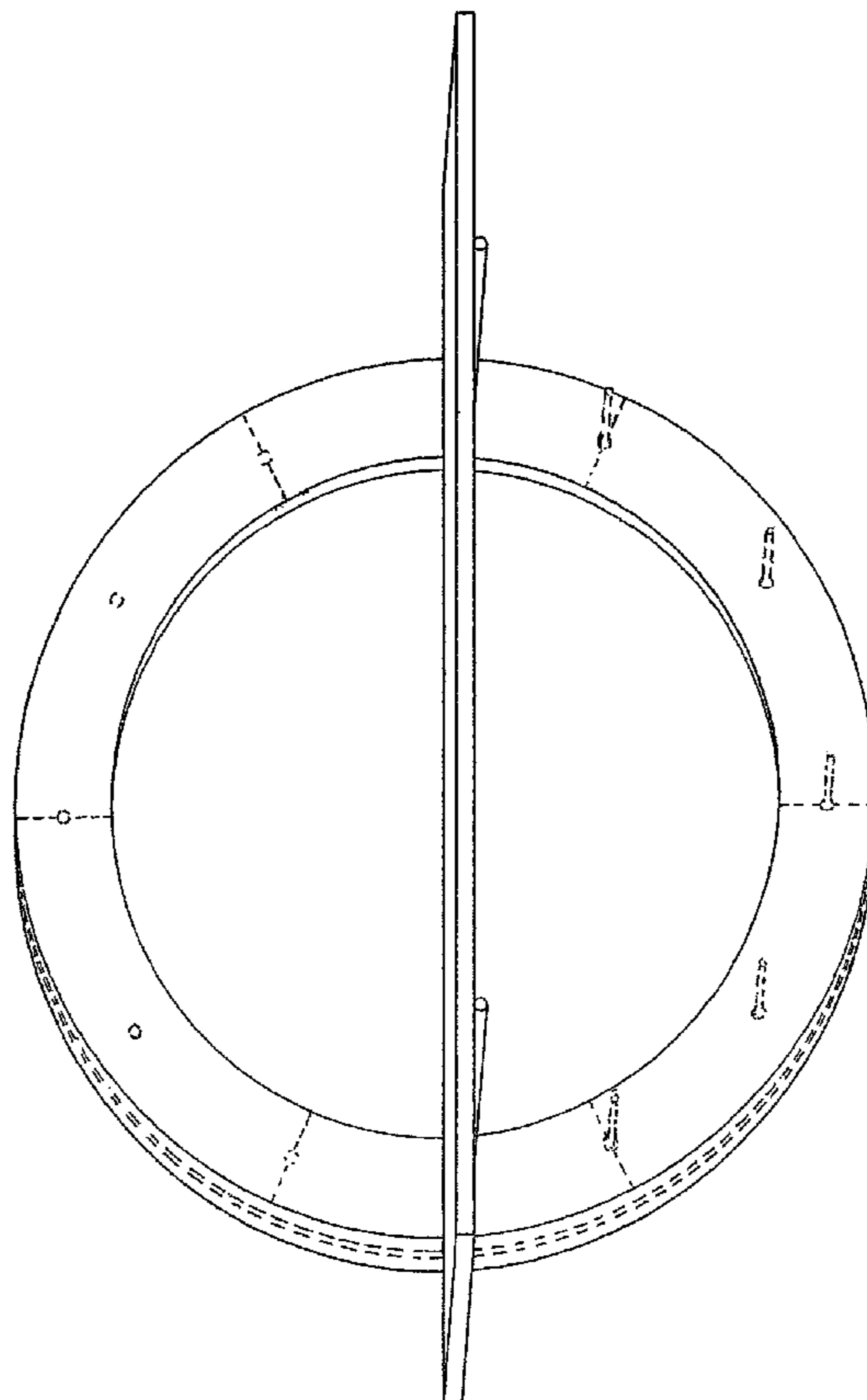
**U.S. PATENT DOCUMENTS**

FIG. 5 is a bottom plan view the circular shelf shown in FIG. 1.

D297,388 S \* 8/1988 Glendinning ..... D6/574  
D393,556 S \* 4/1998 Jordan ..... D6/540  
D416,737 S \* 11/1999 Mutrux ..... D6/567  
D428,291 S \* 7/2000 Koncar ..... D6/574  
D430,985 S \* 9/2000 Jackson et al. .... D6/574

The broken lines shown herein form no part of the claimed design.

**1 Claim, 5 Drawing Sheets**



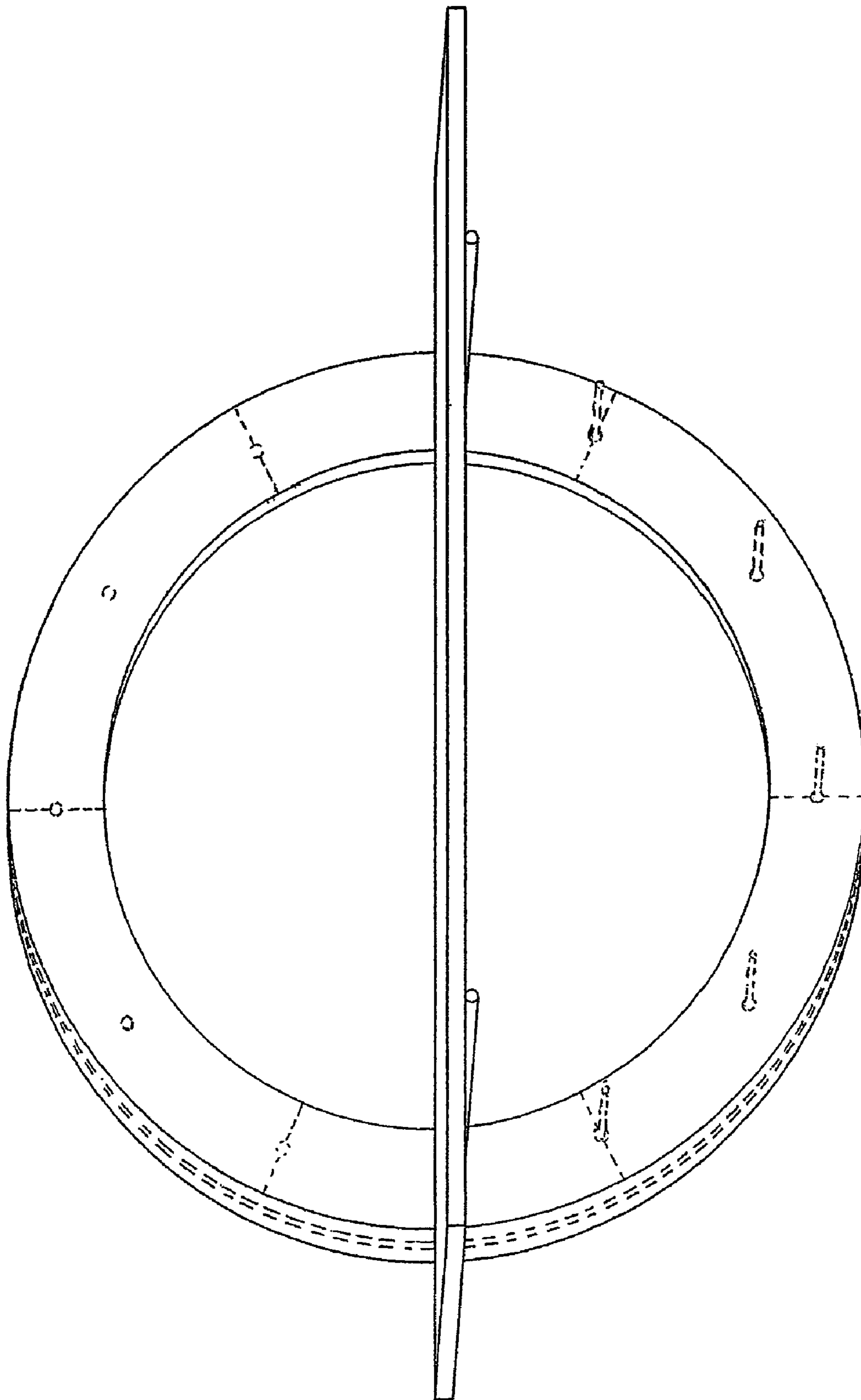


FIG. 1

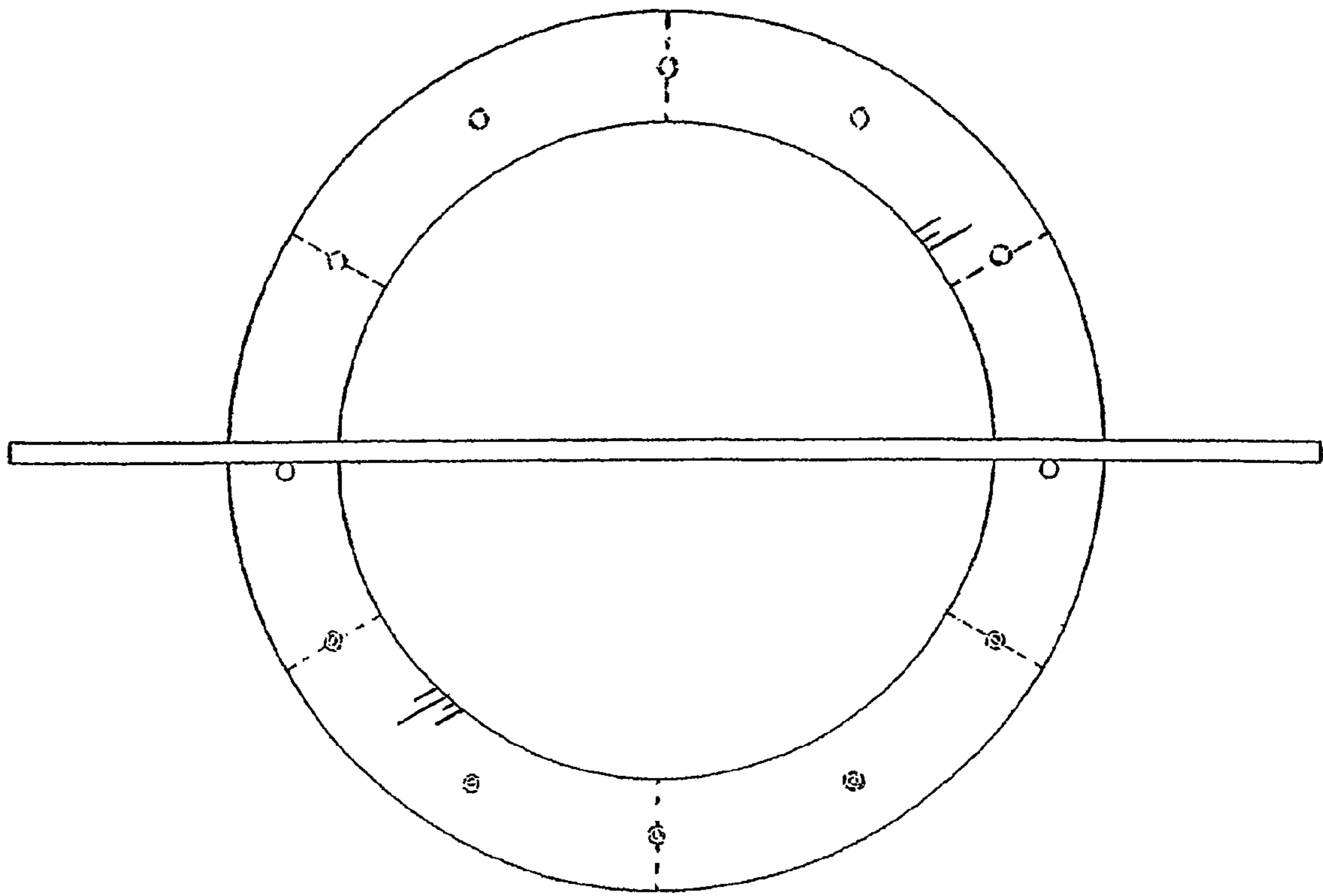


FIG. 2

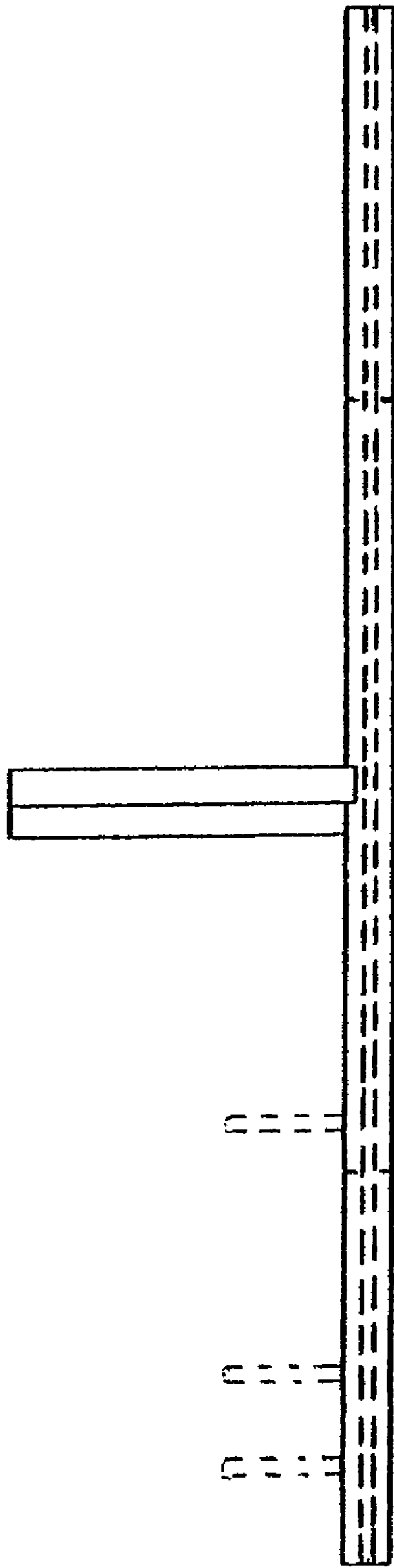


FIG. 3

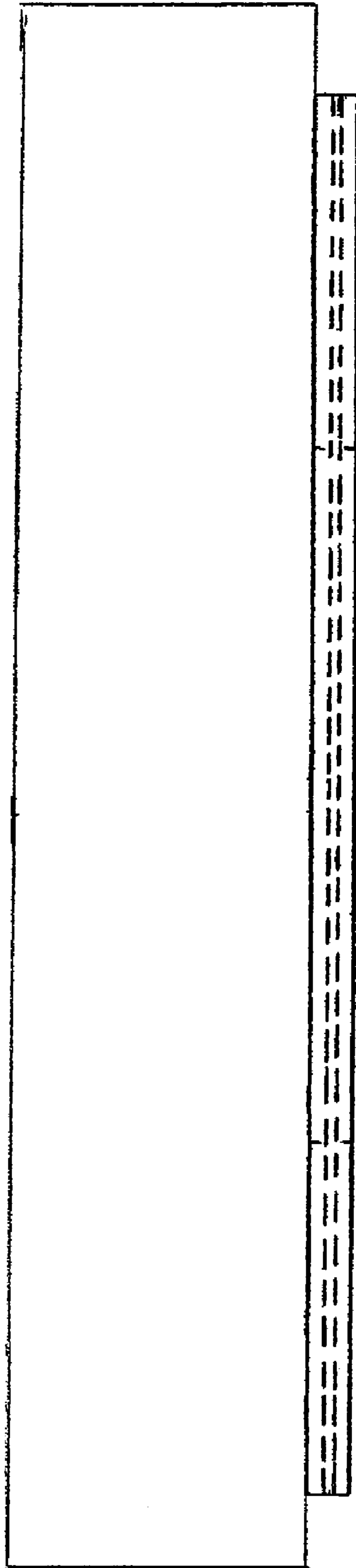


FIG. 4

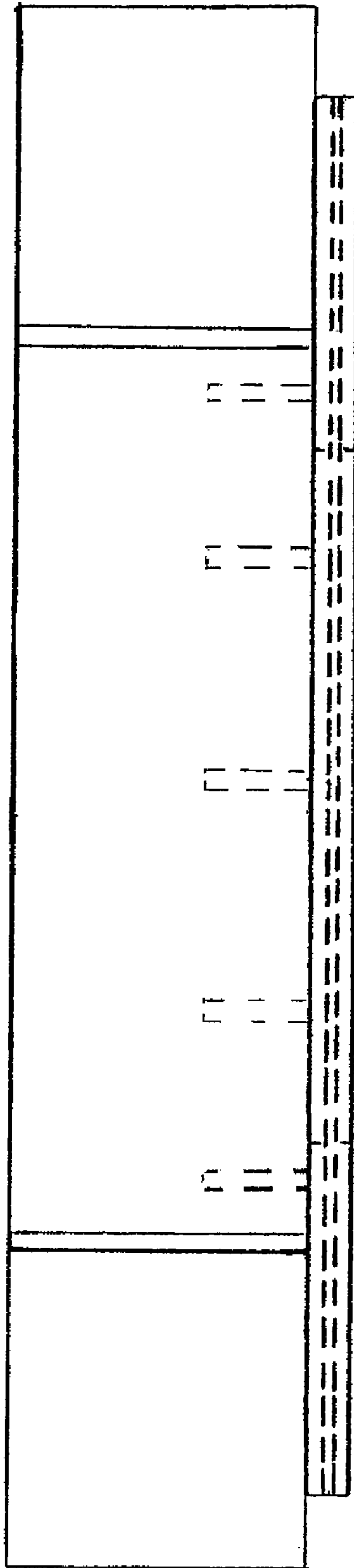


FIG. 5