



US00D554419S

(12) **United States Design Patent**
Thompson et al.

(10) **Patent No.:** **US D554,419 S**

(45) **Date of Patent:** **** Nov. 6, 2007**

(54) **WALL MOUNTABLE WIRE BASKET**

(75) Inventors: **Craig Thompson**, Inver Grove Heights, MN (US); **Peter J. Newbould**, Milan (IT); **Christopher J. Miller**, Milan (IT); **Pasquale Cirulli**, Milan (IT)

(73) Assignee: **3M Innovative Properties Company**, St. Paul, MN (US)

(**) Term: **14 Years**

(21) Appl. No.: **29/275,222**

(22) Filed: **Dec. 18, 2006**

(51) **LOC (8) Cl.** **06-04**

(52) **U.S. Cl.** **D6/566**

(58) **Field of Classification Search** D6/566,
D6/553; D3/201, 304, 306-309; D19/90;
224/400; 248/205.5, 317, 309.1; D27/175;
211/13.1, 12, 11, 181.1

See application file for complete search history.

(56) **References Cited**

U.S. PATENT DOCUMENTS

3,011,649 A * 12/1961 Porter 248/205.5
D322,002 S * 12/1991 Emery D6/566
D421,170 S * 2/2000 Siu D6/566

D438,042 S * 2/2001 Hofman et al. D6/566
D450,213 S * 11/2001 Snell D6/566
D458,640 S * 6/2002 Hofman D6/566
D475,411 S * 6/2003 Hardy et al. D6/566
D508,321 S * 8/2005 Anderson et al. D6/566
D530,962 S * 10/2006 Wood D6/566
D540,091 S * 4/2007 Snell D6/566

* cited by examiner

Primary Examiner—Brian N Vinson

(74) *Attorney, Agent, or Firm*—David B. Patchett

(57) **CLAIM**

The ornamental design for a wall mountable wire basket, as shown and described.

DESCRIPTION

FIG. 1 is a perspective view showing the new design for a wall mountable wire basket;

FIG. 2 is a front view thereof;

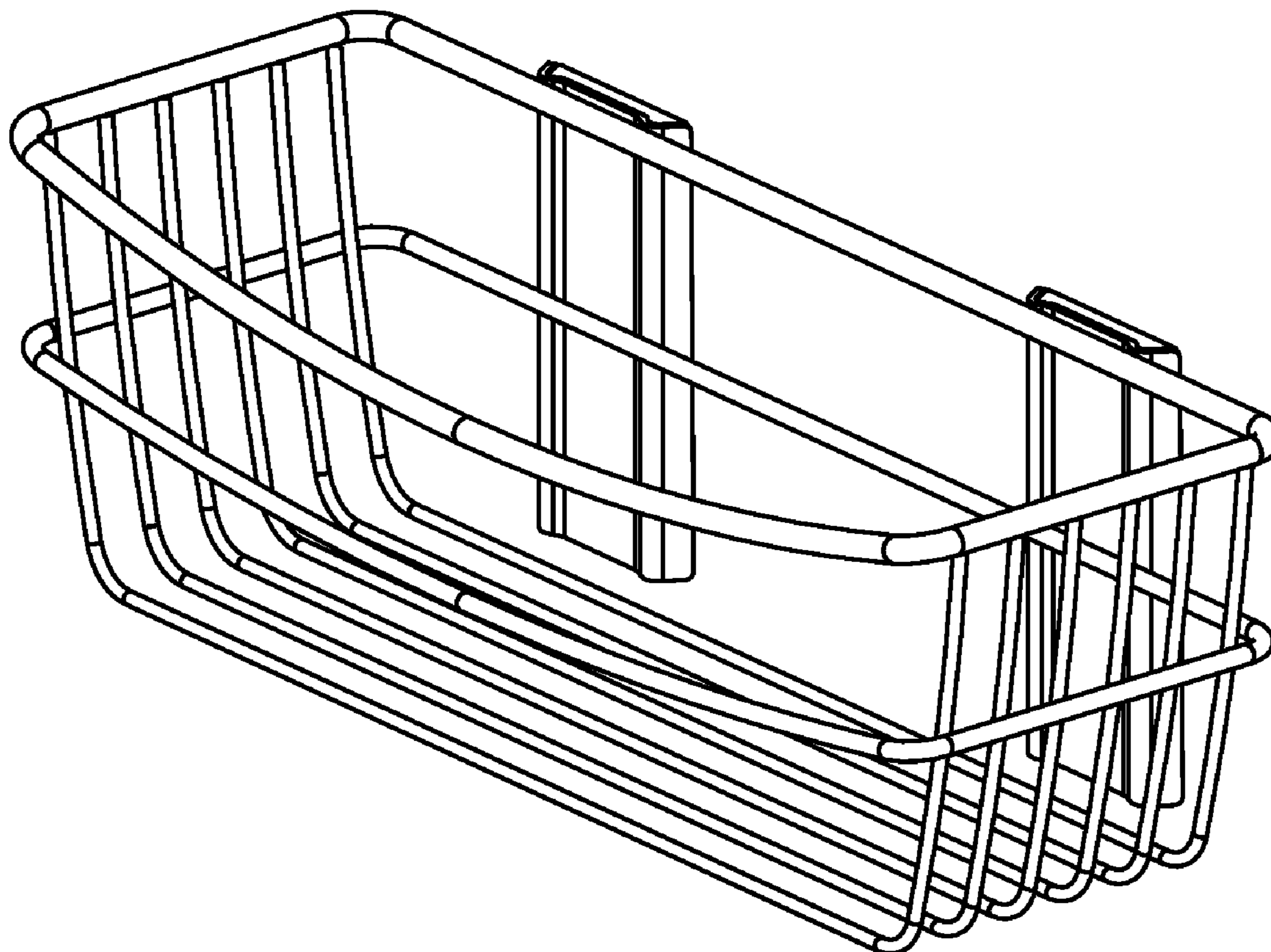
FIG. 3 is a back view thereof;

FIG. 4 is a top view thereof;

FIG. 5 is a bottom view thereof; and,

FIG. 6 is a side view thereof, the opposite side view being a mirror image of the side view shown.

1 Claim, 2 Drawing Sheets



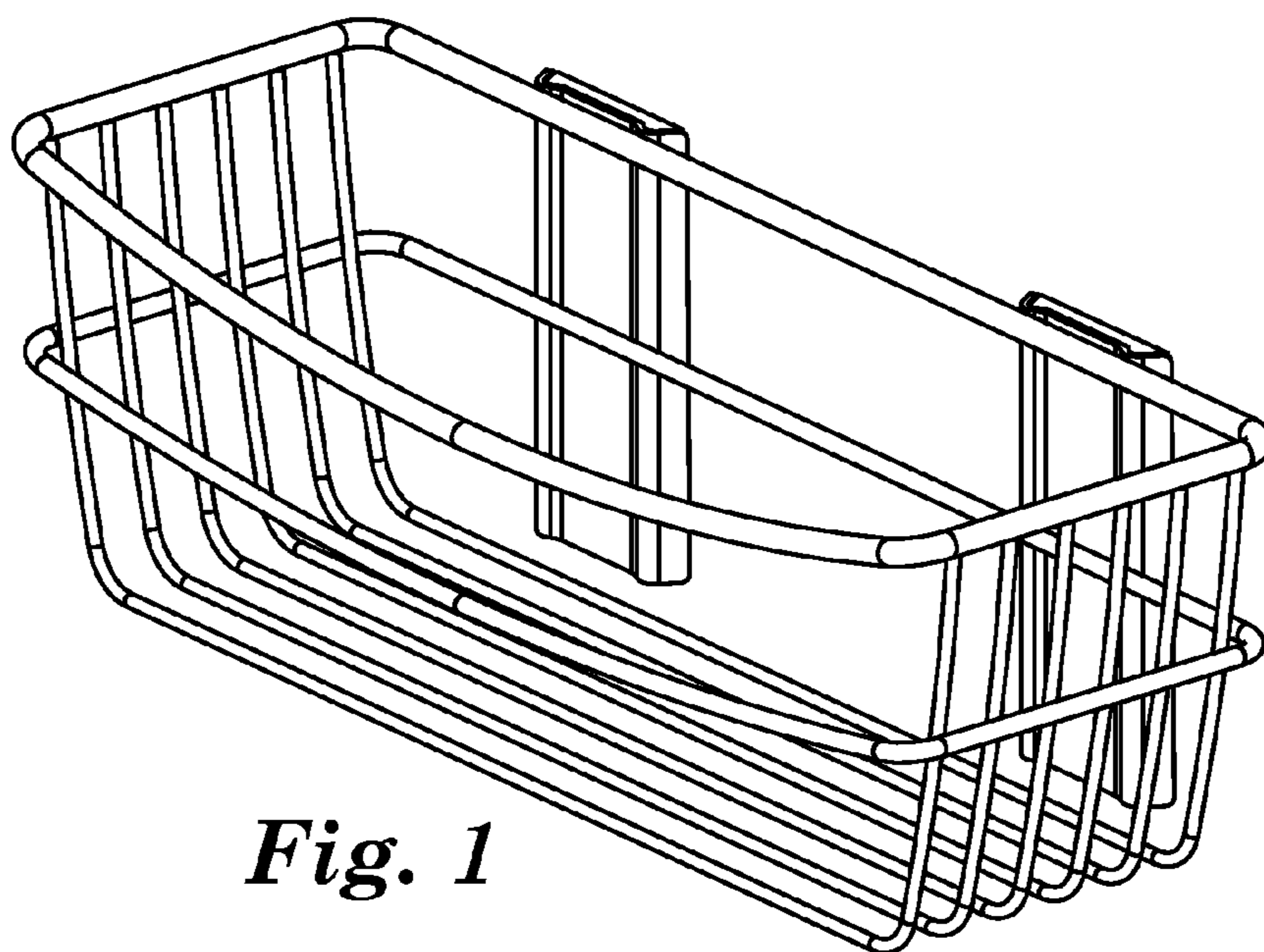


Fig. 1

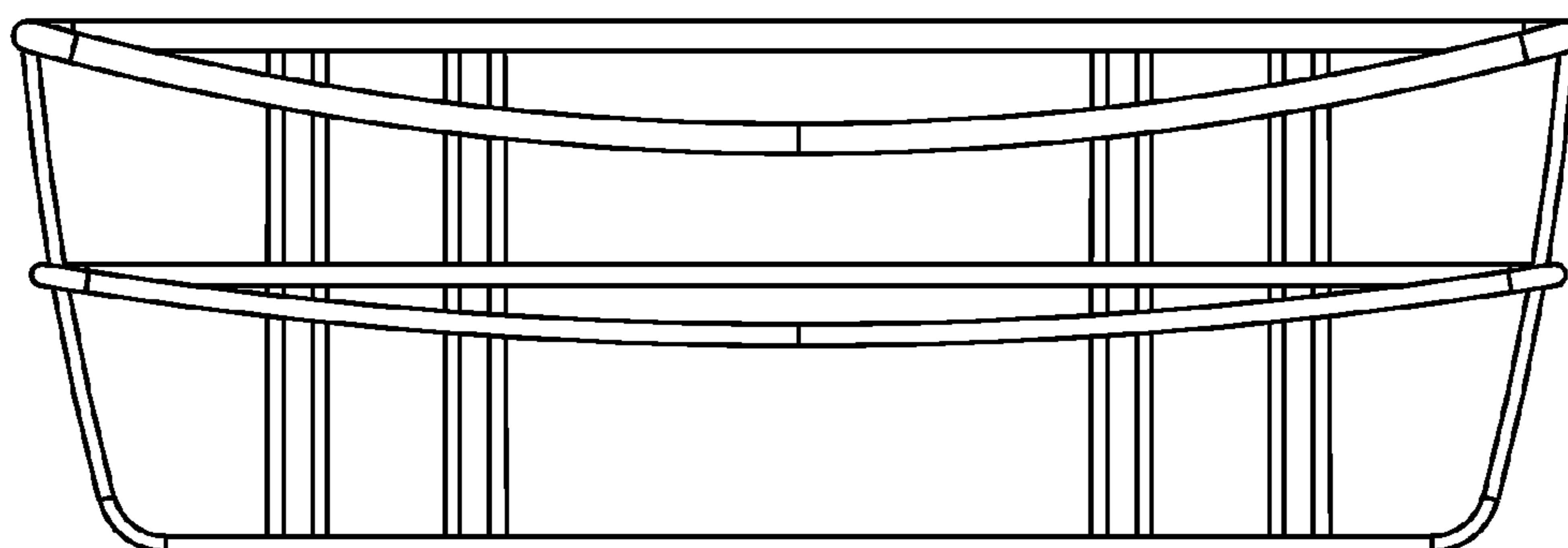


Fig. 2

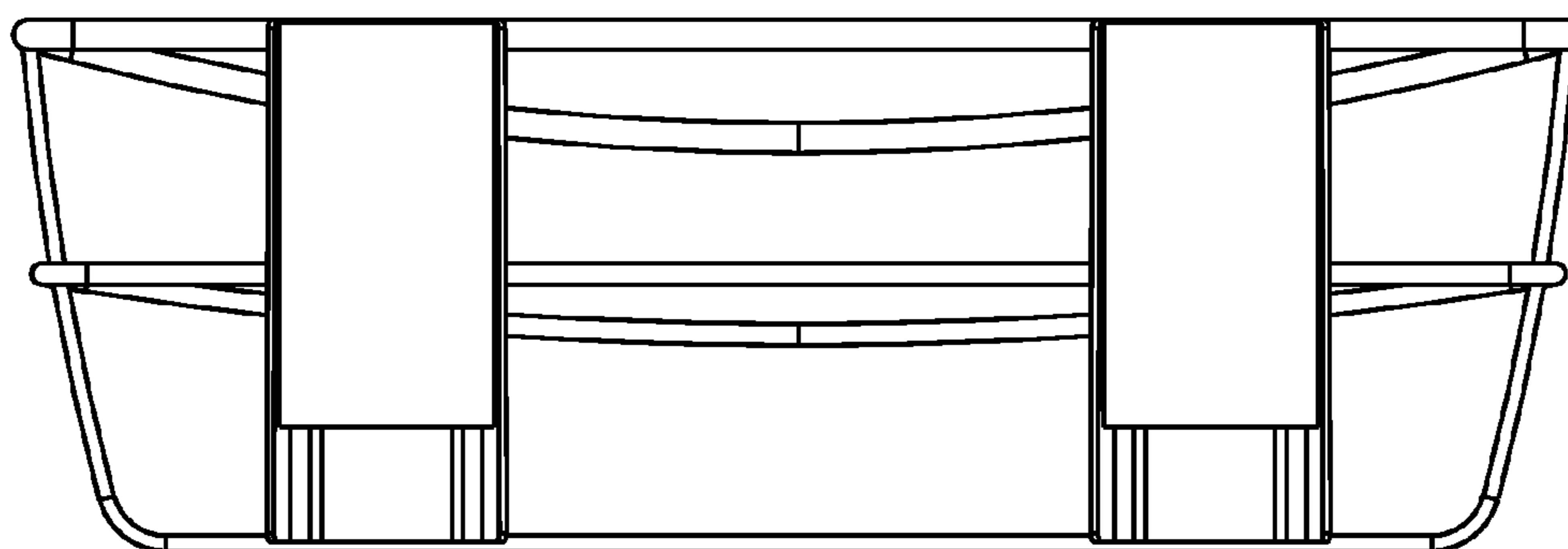


Fig. 3

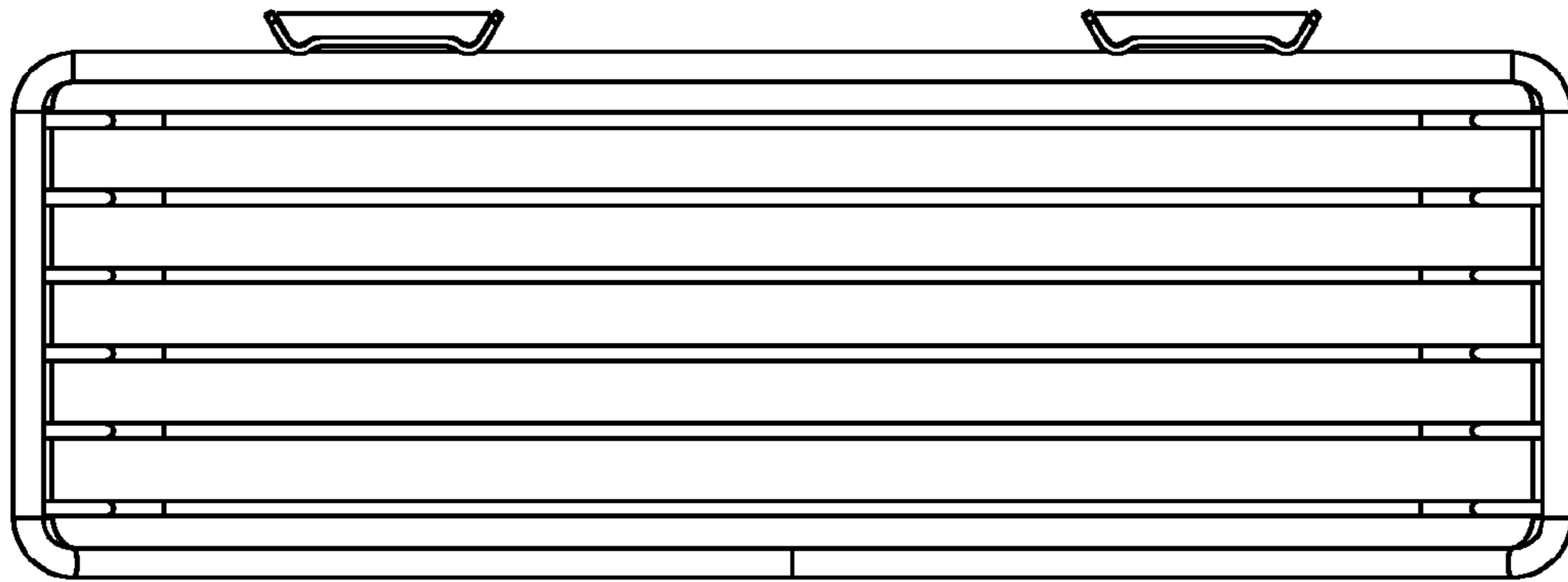


Fig .4



Fig .5

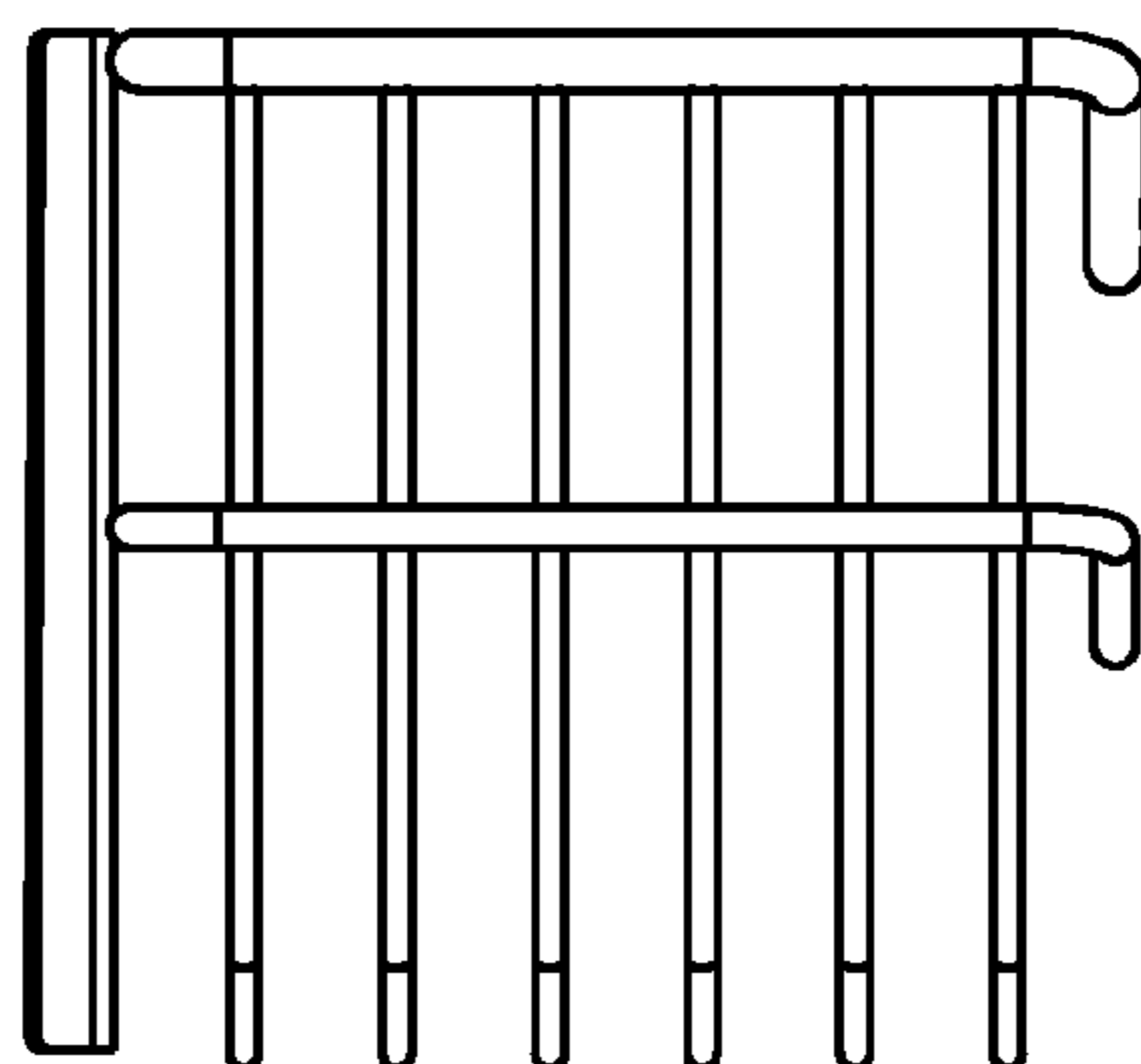


Fig .6