



US00D554407S

(12) **United States Design Patent**
Thompson et al.

(10) **Patent No.:** **US D554,407 S**

(45) **Date of Patent:** **** Nov. 6, 2007**

(54) **WALL MOUNTABLE WIRE SOAP DISH**

(75) Inventors: **Craig Thompson**, Inver Grove Heights, MN (US); **Christopher J. Miller**, Milan (IT); **Peter J. Newbould**, Milan (IT)

(73) Assignee: **3M Innovative Properties Company**, St. Paul, MN (US)

(**) Term: **14 Years**

(21) Appl. No.: **29/276,115**

(22) Filed: **Jan. 16, 2007**

(51) **LOC (8) Cl.** **23-02**

(52) **U.S. Cl.** **D6/537**

(58) **Field of Classification Search** D6/536-540, D6/553, 566, 574; 206/77.01, 557; 211/13.1, 211/85.12, 86.01, 87.01, 88.01, 90.03, 106, 211/134, 126.1, 181.1

See application file for complete search history.

(56) **References Cited**

U.S. PATENT DOCUMENTS

D121,813 S * 8/1940 Simpson D6/537
D327,596 S * 7/1992 Emery D6/540

D417,575 S * 12/1999 Ming-Hsiao D6/545
D429,102 S * 8/2000 Patel et al. D6/537
D449,752 S * 10/2001 Snell D6/537
D478,443 S * 8/2003 Clucas D6/537
6,669,033 B1 * 12/2003 Lian 211/87.01

* cited by examiner

Primary Examiner—Brian N Vinson

(74) *Attorney, Agent, or Firm*—David B. Patchett

(57) **CLAIM**

The ornamental design for a wall mountable wire soap dish, as shown and described.

DESCRIPTION

FIG. 1 is a perspective view showing the new design for a wall mountable wire soap dish;

FIG. 2 is a front view thereof;

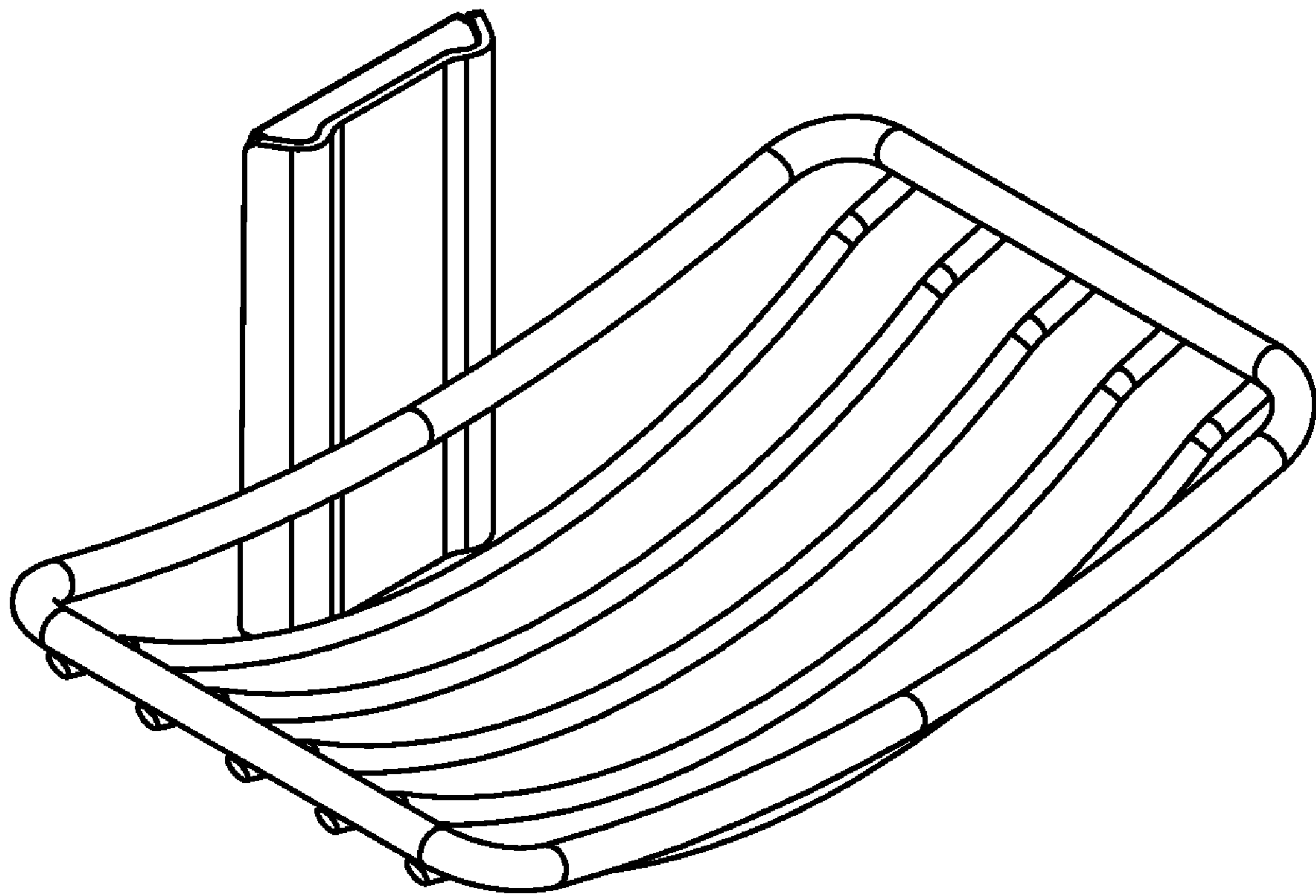
FIG. 3 is a rear view thereof;

FIG. 4 is a top view thereof;

FIG. 5 is a bottom view thereof; and,

FIG. 6 is a side view thereof; the opposite side view thereof being a mirror image of the side view shown.

1 Claim, 2 Drawing Sheets



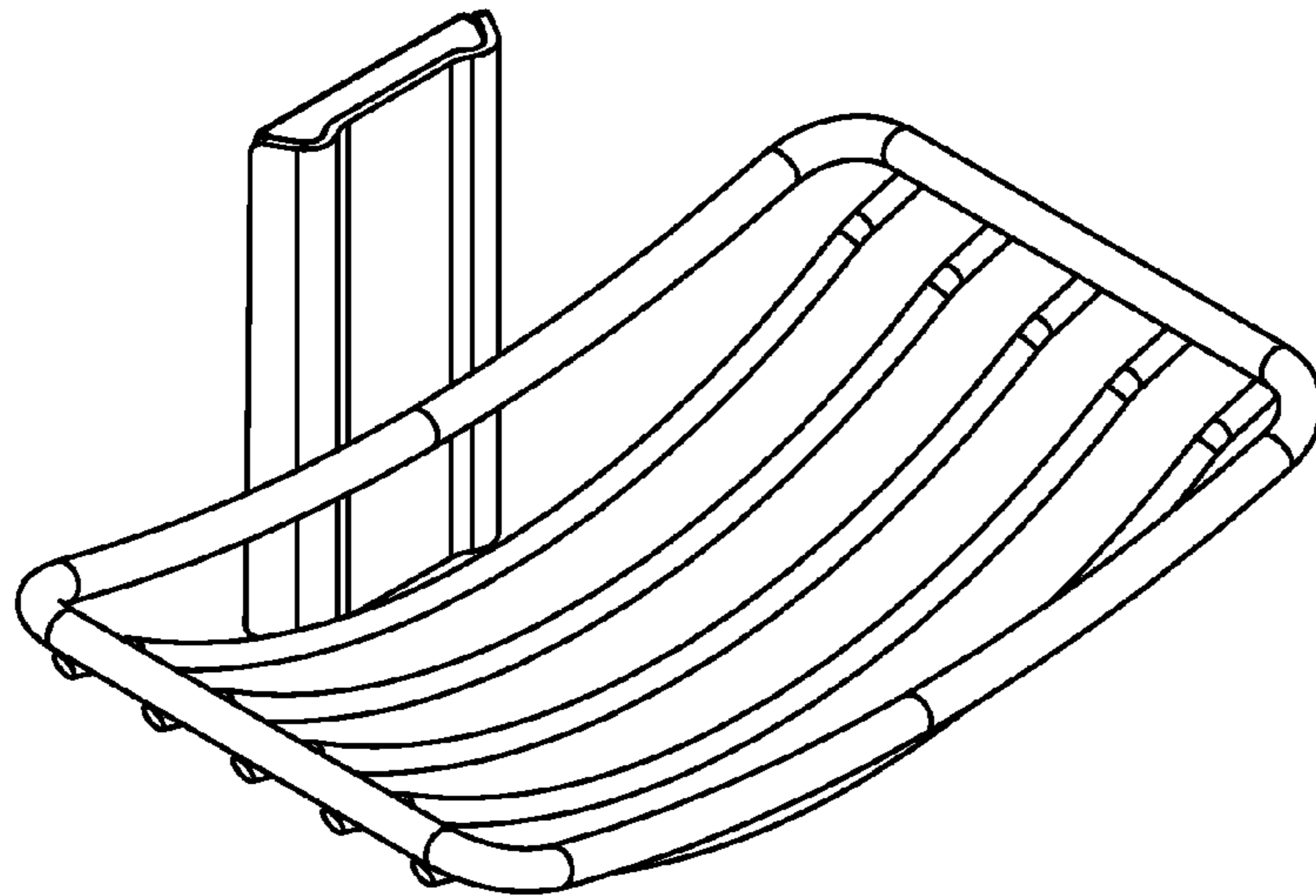


Fig. 1

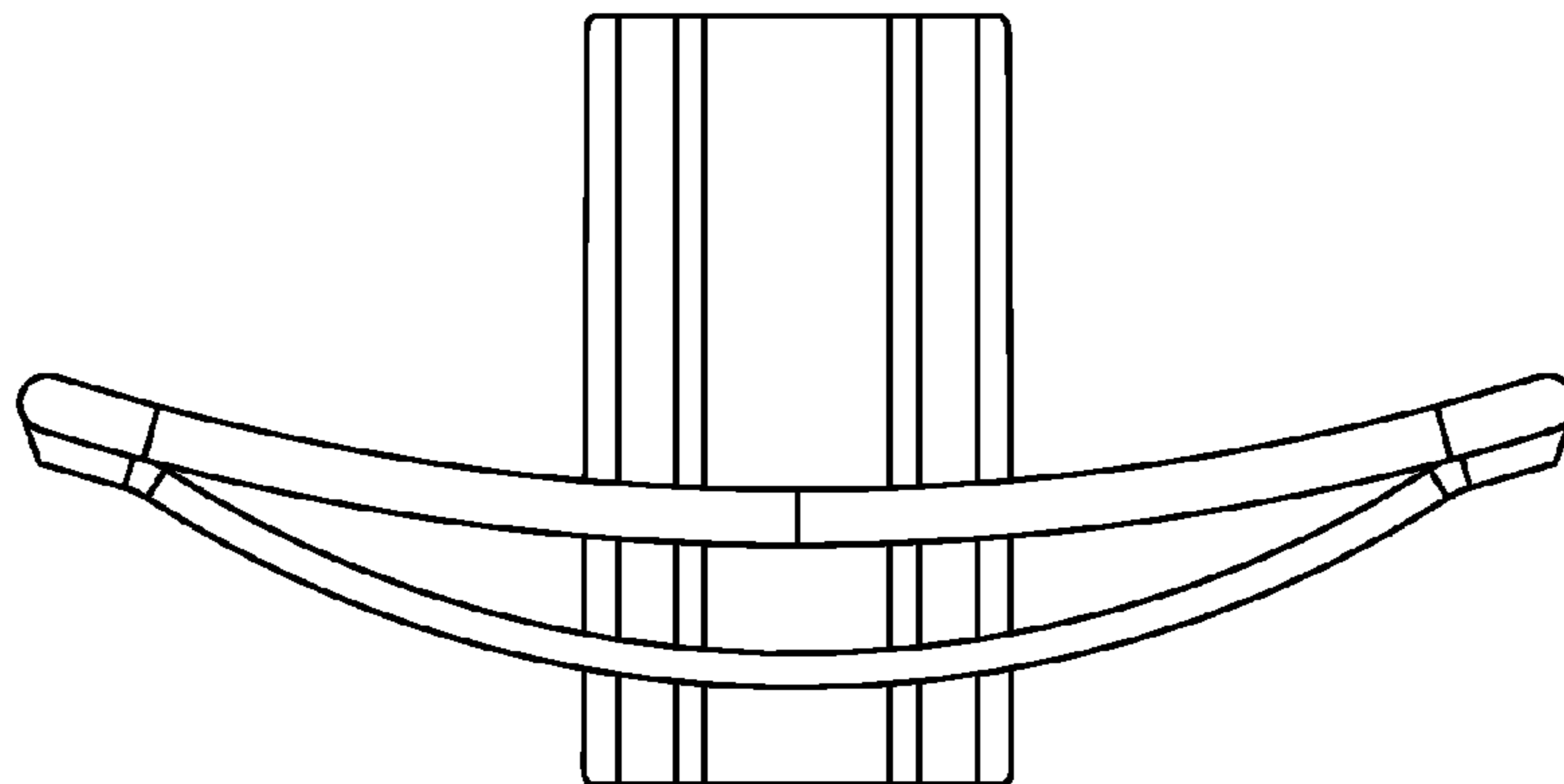


Fig. 2

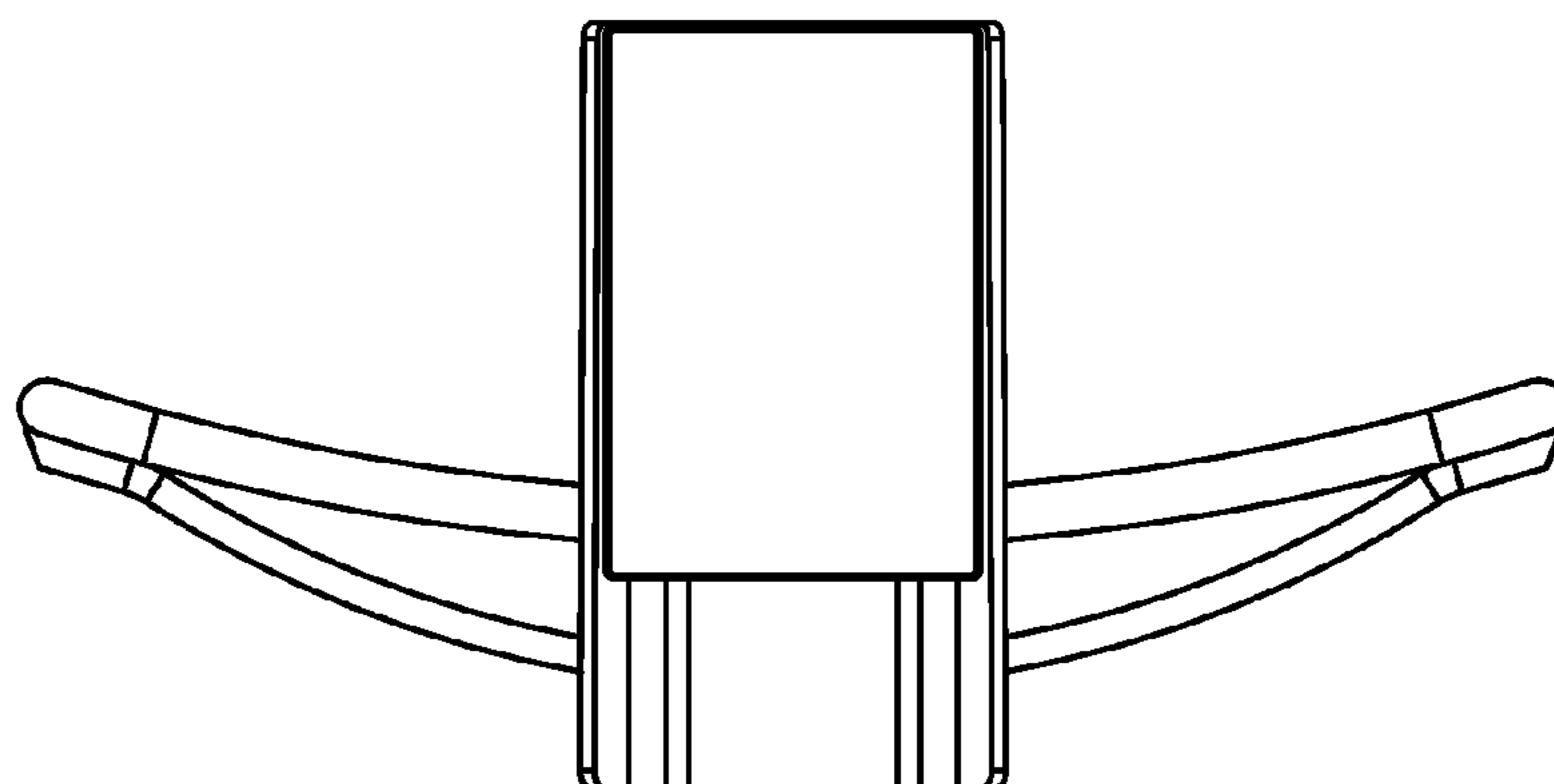


Fig. 3

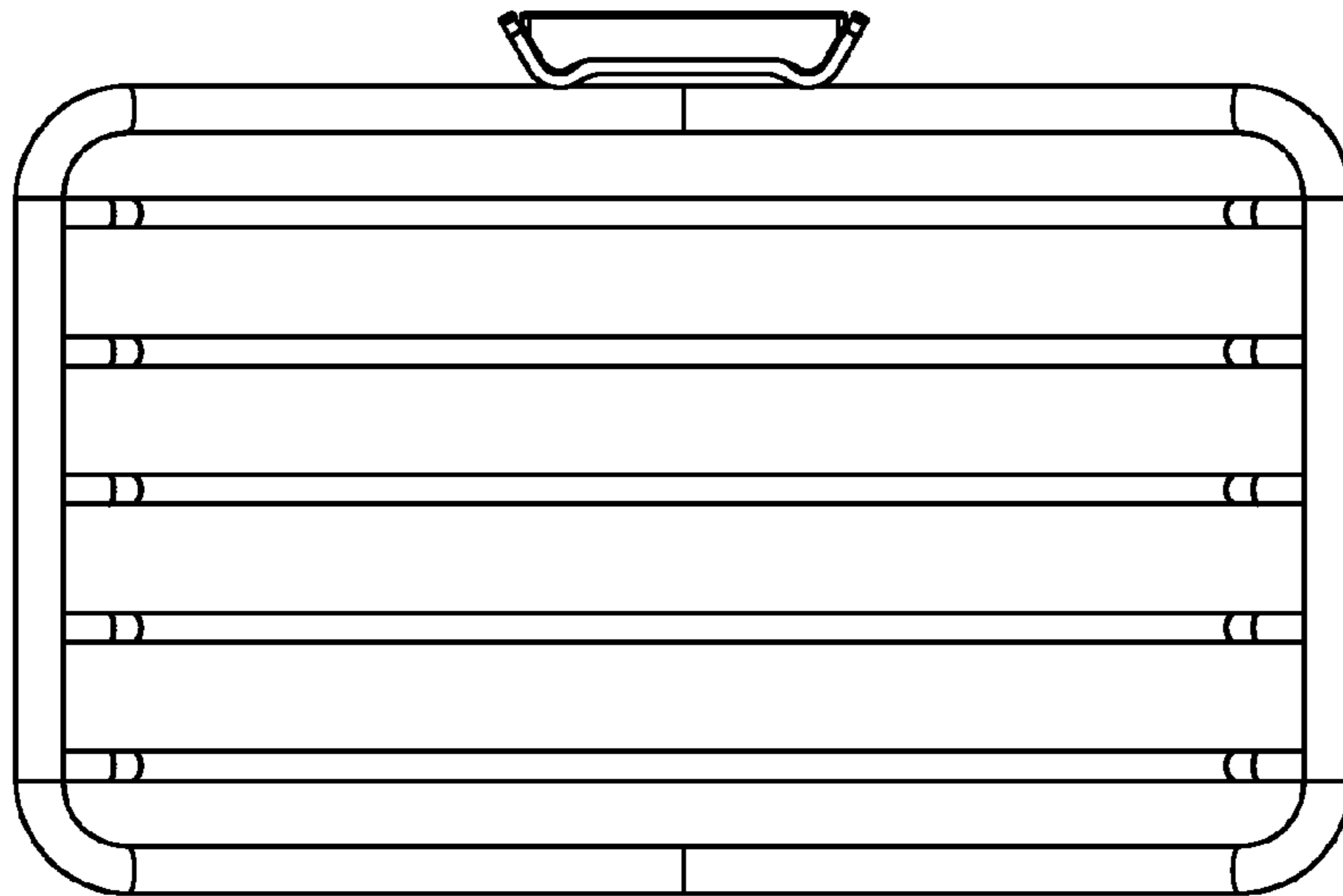


Fig. 4

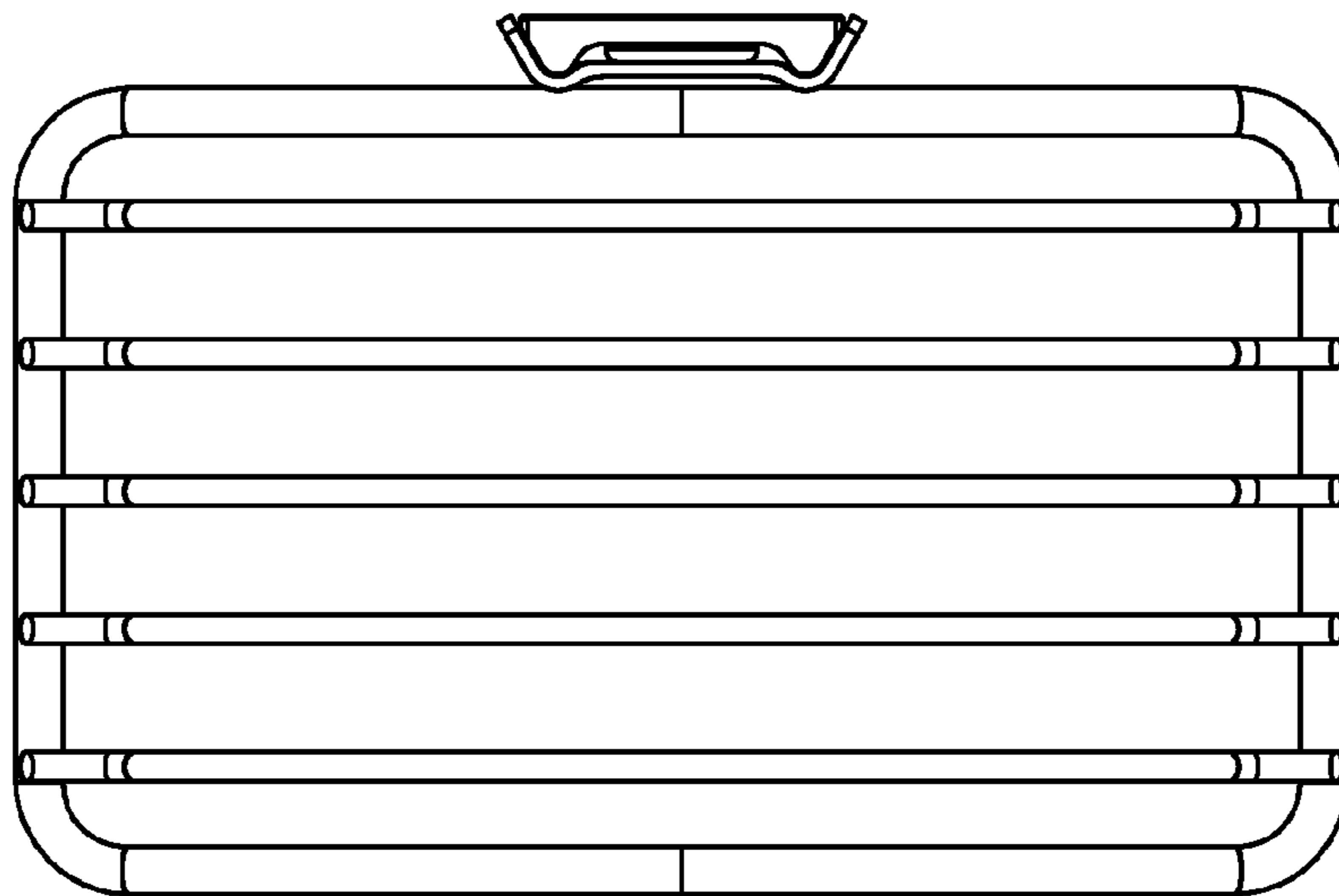


Fig. 5

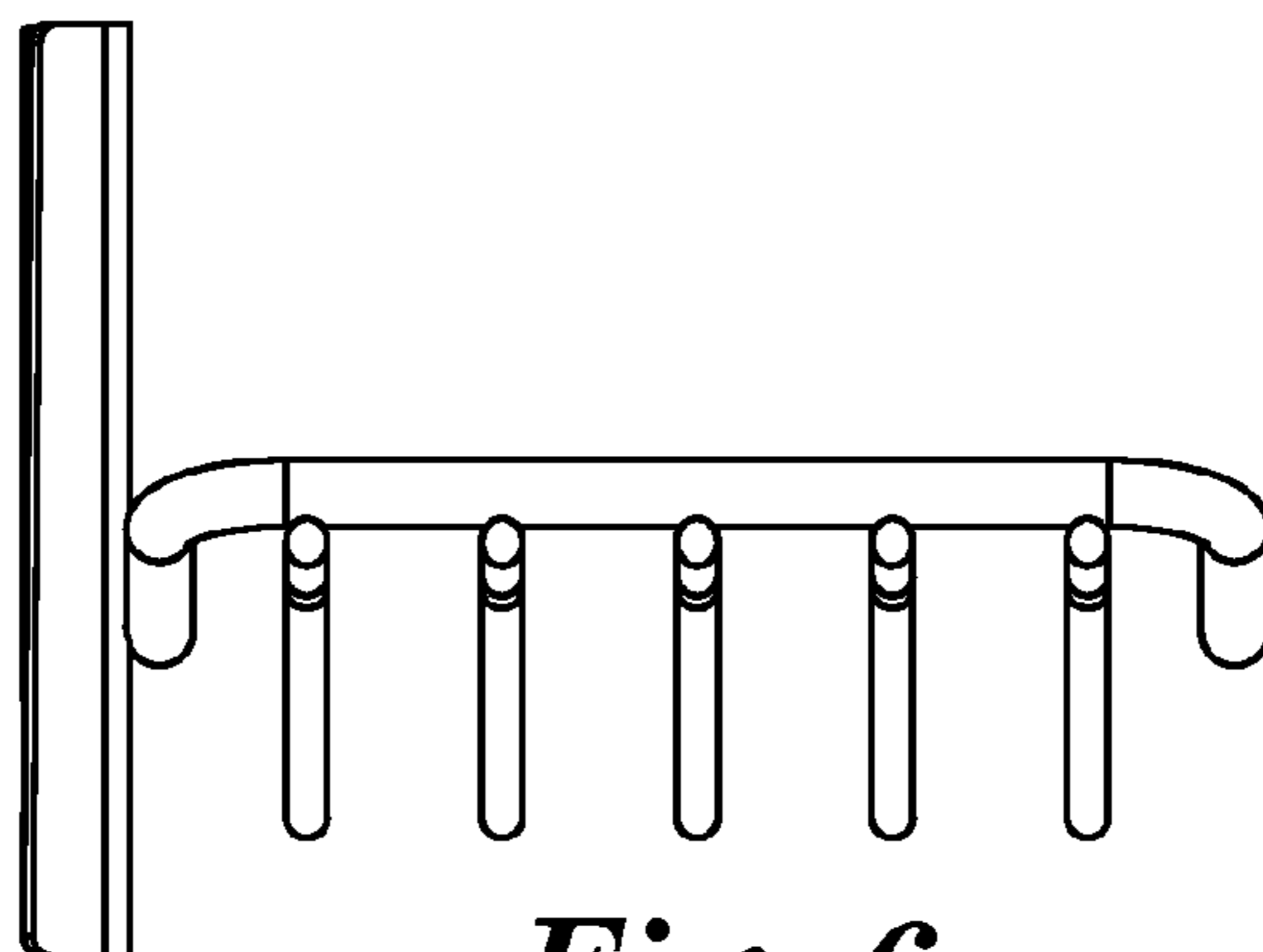


Fig. 6