



US00D554404S

(12) **United States Design Patent**
Chang

(10) **Patent No.:** **US D554,404 S**

(45) **Date of Patent:** **** Nov. 6, 2007**

(54) **SUPPORT ACCESSORY**

(75) Inventor: **Jim Chang**, San Leandro, CA (US)

(73) Assignee: **Gatco, Inc.**, San Leandro, CA (US)

(**) Term: **14 Years**

(21) Appl. No.: **29/257,999**

(22) Filed: **Apr. 14, 2006**

(51) **LOC (8) Cl.** **23-02**

(52) **U.S. Cl.** **D6/524; D6/550**

(58) **Field of Classification Search** D6/546-550,
D6/518-523; D8/300, 303, 315-321, 349,
D8/354, 363, 373, 380; 108/28-29; 211/13.1,
211/16, 60.1, 100, 86.01, 87.01, 88.01, 88.04,
211/105.1-105.2, 123, 182, 181.1; 248/175,
248/176.1, 251, 302, 309.1; 16/110.1, 412,
16/415; 242/570, 590, 595-598

See application file for complete search history.

(56) **References Cited**

U.S. PATENT DOCUMENTS

D463,936 S *	10/2002	Chen	D6/550
D481,234 S *	10/2003	Lai	D6/524
D483,585 S *	12/2003	Chen	D6/524
D494,455 S *	8/2004	Winter et al.	D8/376
D499,592 S *	12/2004	Sale, Jr.	D6/550
D510,495 S *	10/2005	Gilbert	D6/524
D528,838 S *	9/2006	Berberet et al.	D6/550
D537,668 S *	3/2007	Murray	D6/550

* cited by examiner

Primary Examiner—Brian N Vinson

(74) *Attorney, Agent, or Firm*—Troxell Law Office, PLLC

(57) **CLAIM**

The ornamental design for a support accessory, as shown and described.

DESCRIPTION

FIG. 1 is a top, front, and right side perspective view of a first embodiment of a support accessory showing my new design, with the broken-line disclosure of a towel ring being for illustrative purposes only and forming no part of the claimed design;

FIG. 2 is a front elevational view of FIG. 1;

FIG. 3 is a left side elevational view of FIG. 1, the right side being a mirror image of that shown;

FIG. 4 is a top plan view thereof, the bottom being a mirror image of that shown,

FIG. 5 is an additional top, front, and right side perspective view of a first embodiment of a support accessory, with the broken-line disclosure of a towel hook being for illustrative purposes only and forming no part of the claimed design;

FIG. 6 is a front elevational view of FIG. 5;

FIG. 7 is a left side elevational view of FIG. 5, the right side being a mirror image of that shown;

FIG. 8 is a top plan view of FIG. 5;

FIG. 9 is a bottom plan view of FIG. 5;

FIG. 10 is a top, front, and right side perspective view of a second embodiment of a support accessory showing my new design, with the broken-line disclosure of a toilet paper holder being for illustrative purposes only and forming no part of the claimed design;

FIG. 11 is a front elevational view of one portion of FIG. 10;

FIG. 12 is a left side elevational view of one portion of FIG. 10,

FIG. 13 is a right side elevational view of one portion of FIG. 10;

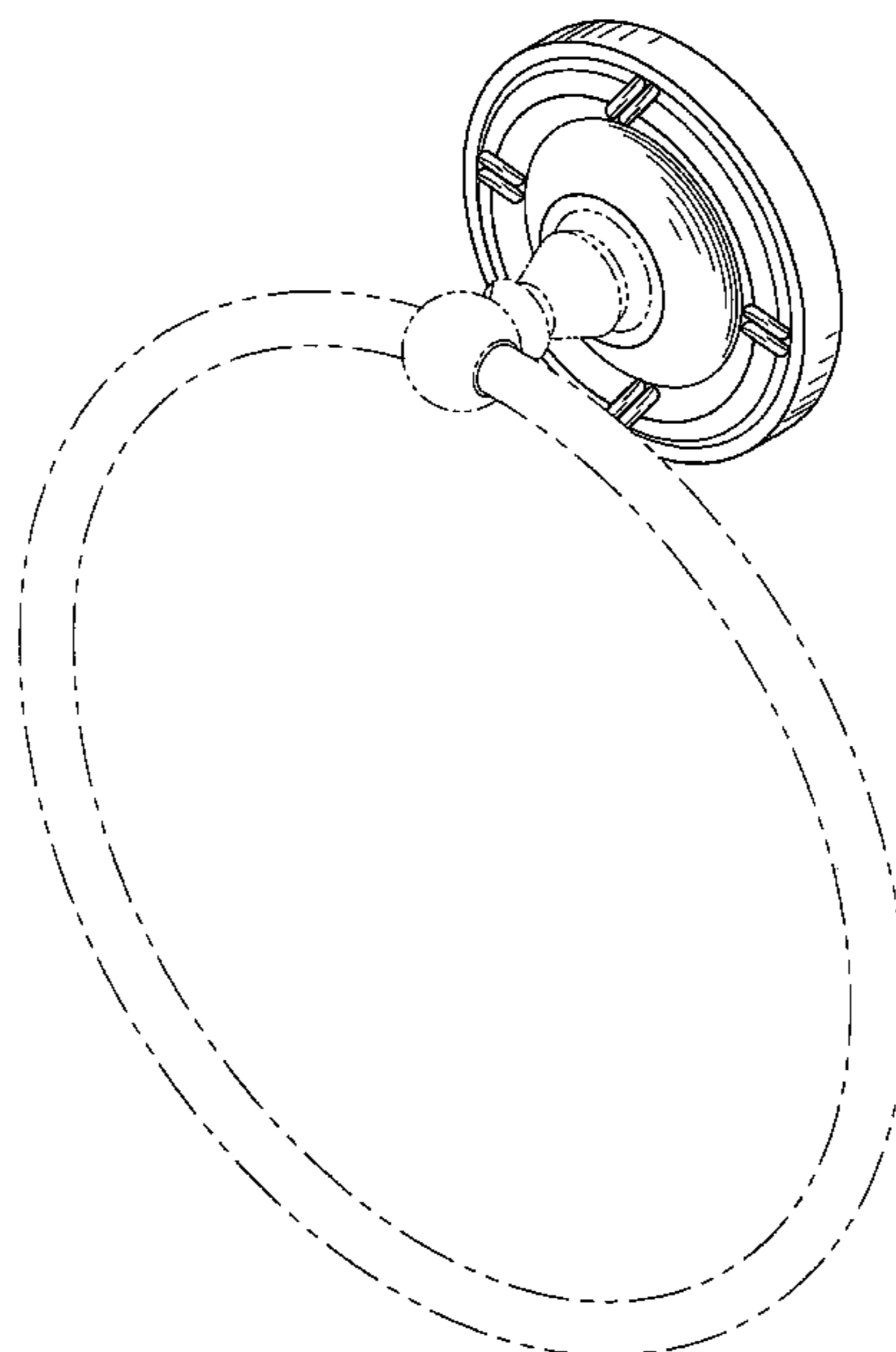


FIG. 14 is a top plan view of one portion of FIG. 10;
FIG. 15 is a bottom plan view of one portion of FIG. 10;
FIG. 16 is an additional top, front, and right side perspective view of a second embodiment of a support accessory showing my new design, with the broken-line disclosure of a double towel bar being for illustrative purposes only and forming no part of the claimed design;
FIG. 17 is a front elevational view of one portion of FIG. 16;
FIG. 18 is a left side elevational view of one portion of FIG. 16,
FIG. 19 is a right side elevational view of one portion of FIG. 16;
FIG. 20 is a top plan view of one portion of FIG. 16;
FIG. 21 is a bottom plan view of one portion of FIG. 16;
FIG. 22 is another additional top, front, and right side perspective view of a second embodiment of a support accessory showing my new design, with the broken-line disclosure of a glass shelf being for illustrative purposes only and forming no part of the claimed design;

FIG. 23 is a front elevational view of one portion of FIG. 22;
FIG. 24 is a left side elevational view of one portion of FIG. 22, the right side being a mirror image of that shown;
FIG. 25 is a top plan view of one portion of FIG. 22;
FIG. 26 is a bottom plan view of one portion of FIG. 22;
FIG. 27 is yet another additional top, front, and right side perspective view of a second embodiment of a support accessory showing my new design, with the broken-line disclosure of a towel bar being for illustrative purposes only and forming no part of the claimed design;
FIG. 28 is a front elevational view of one portion of FIG. 27;
FIG. 29 is a left side elevational view of one portion of FIG. 27,
FIG. 30 is a right side elevational view of one portion of FIG. 27;
FIG. 31 is a top plan view of one portion of FIG. 27; and,
FIG. 32 is a bottom plan view of one portion of FIG. 27.

1 Claim, 14 Drawing Sheets

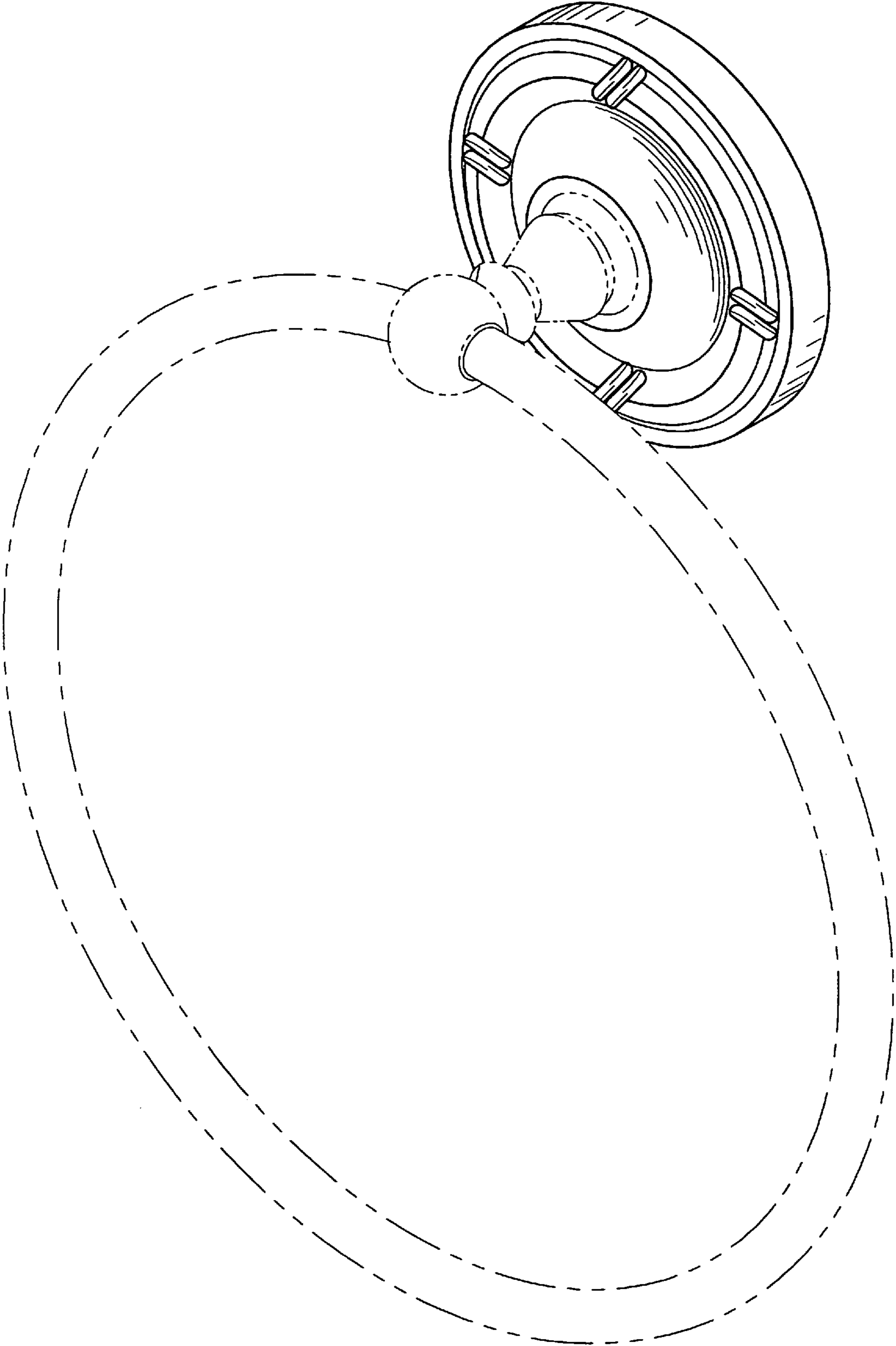


FIG. 1

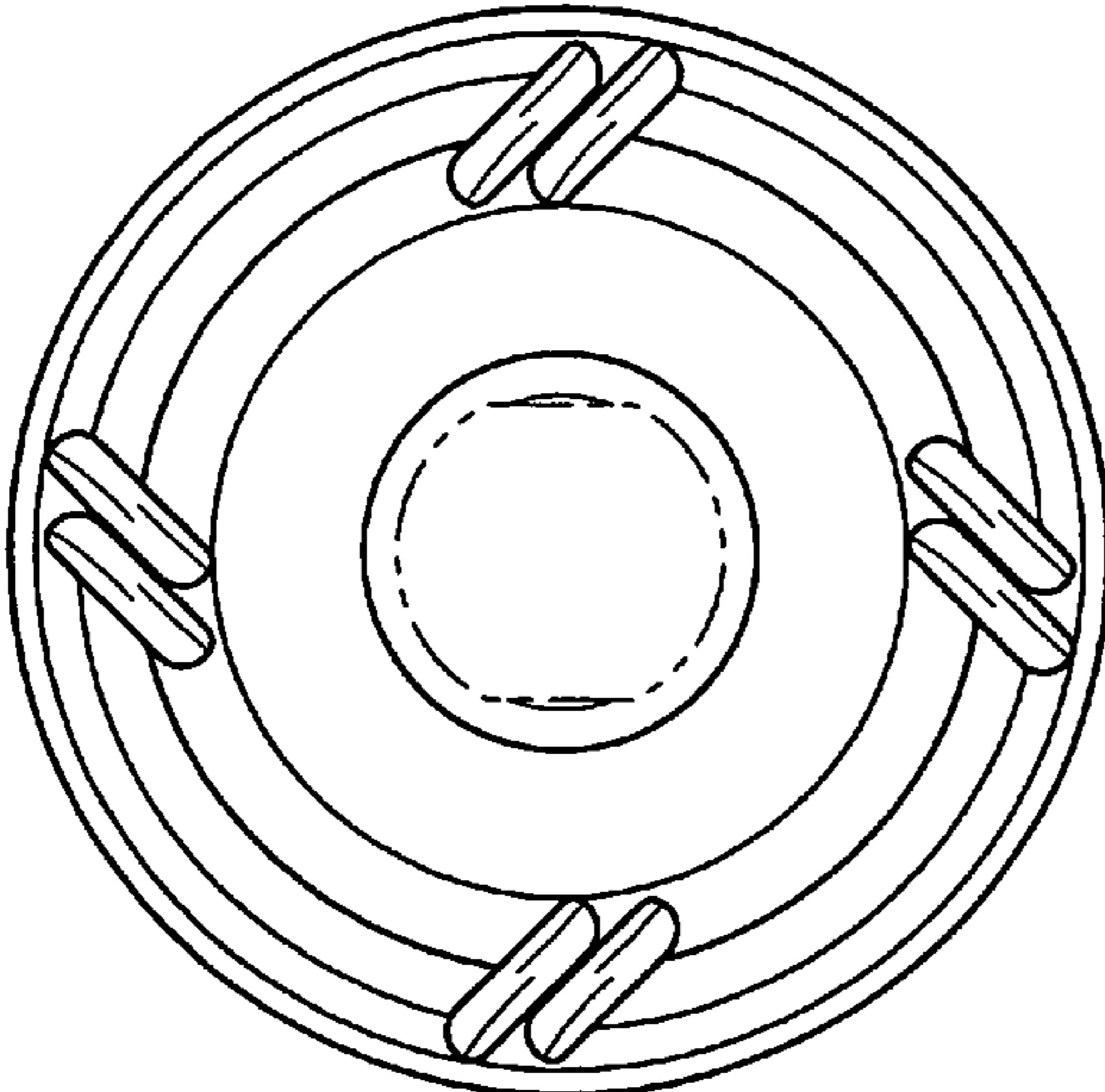


FIG. 2

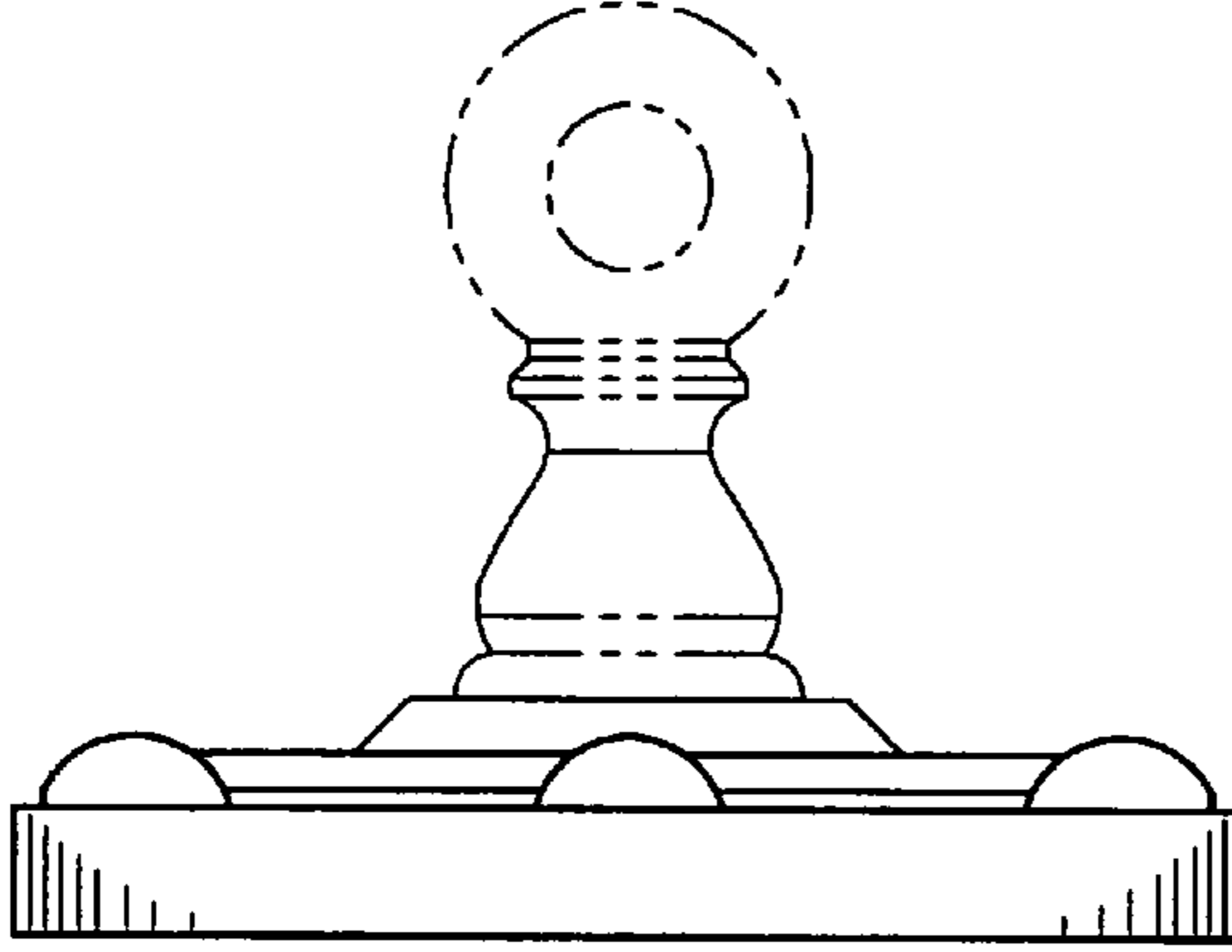


FIG. 3

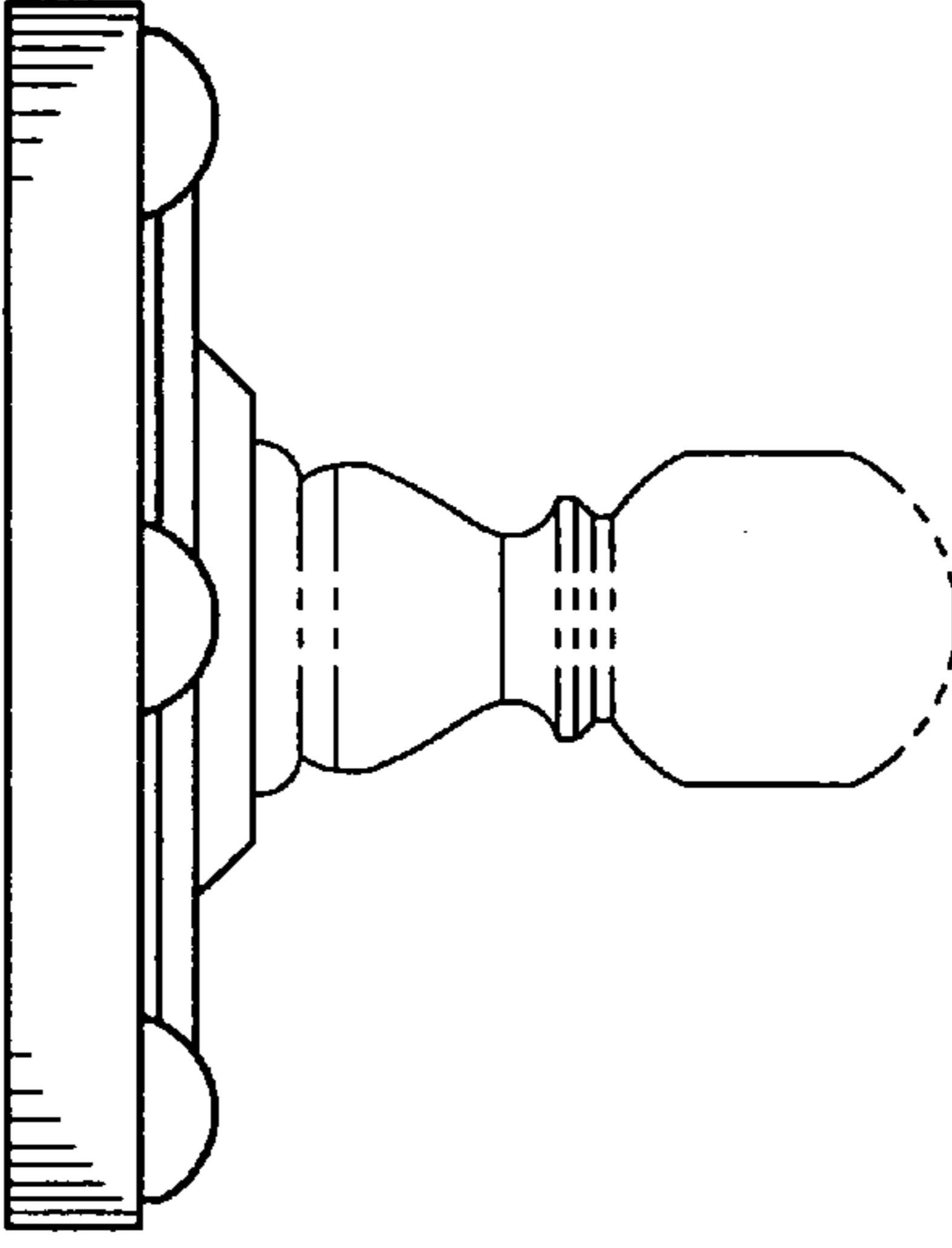


FIG. 4

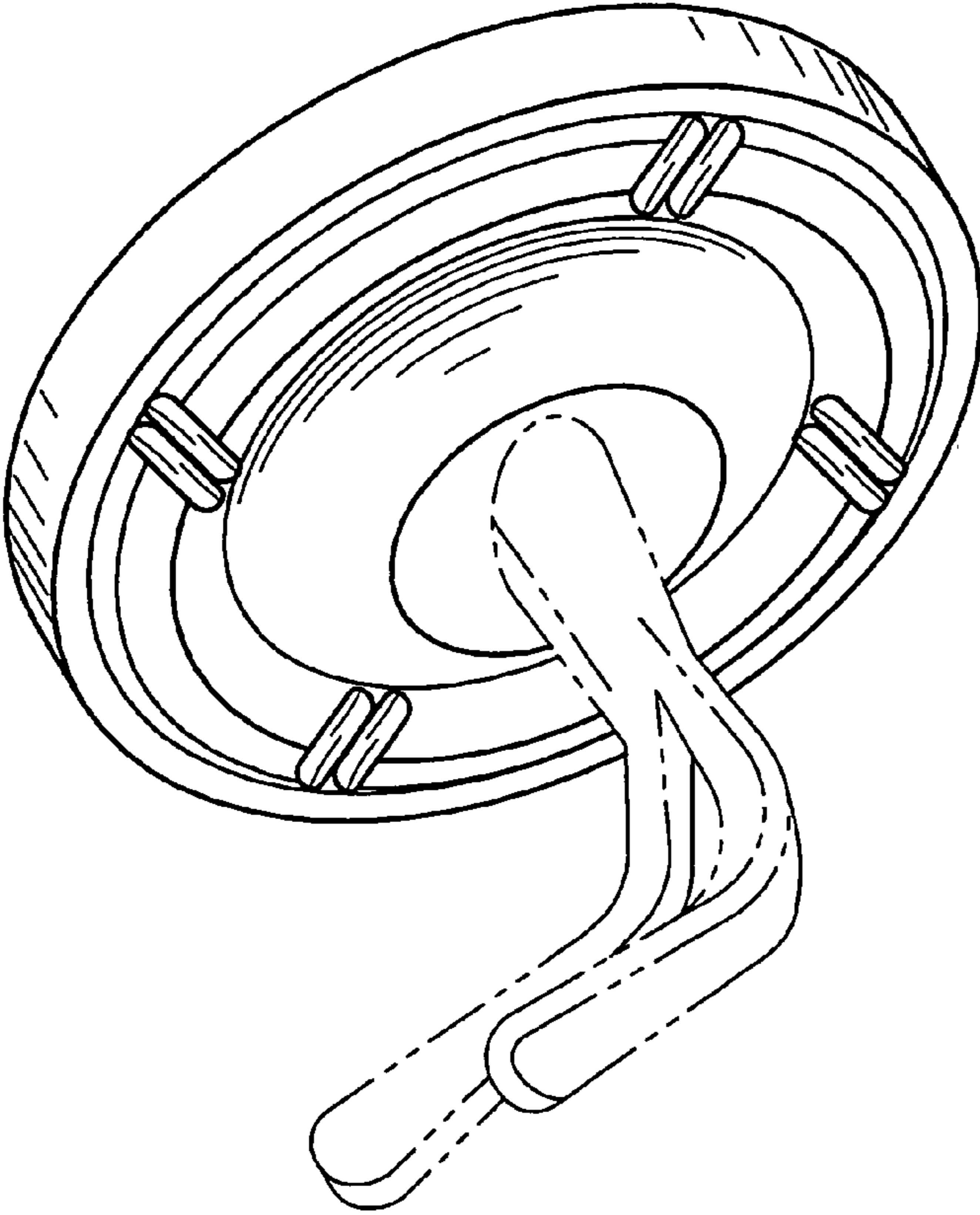


FIG. 5

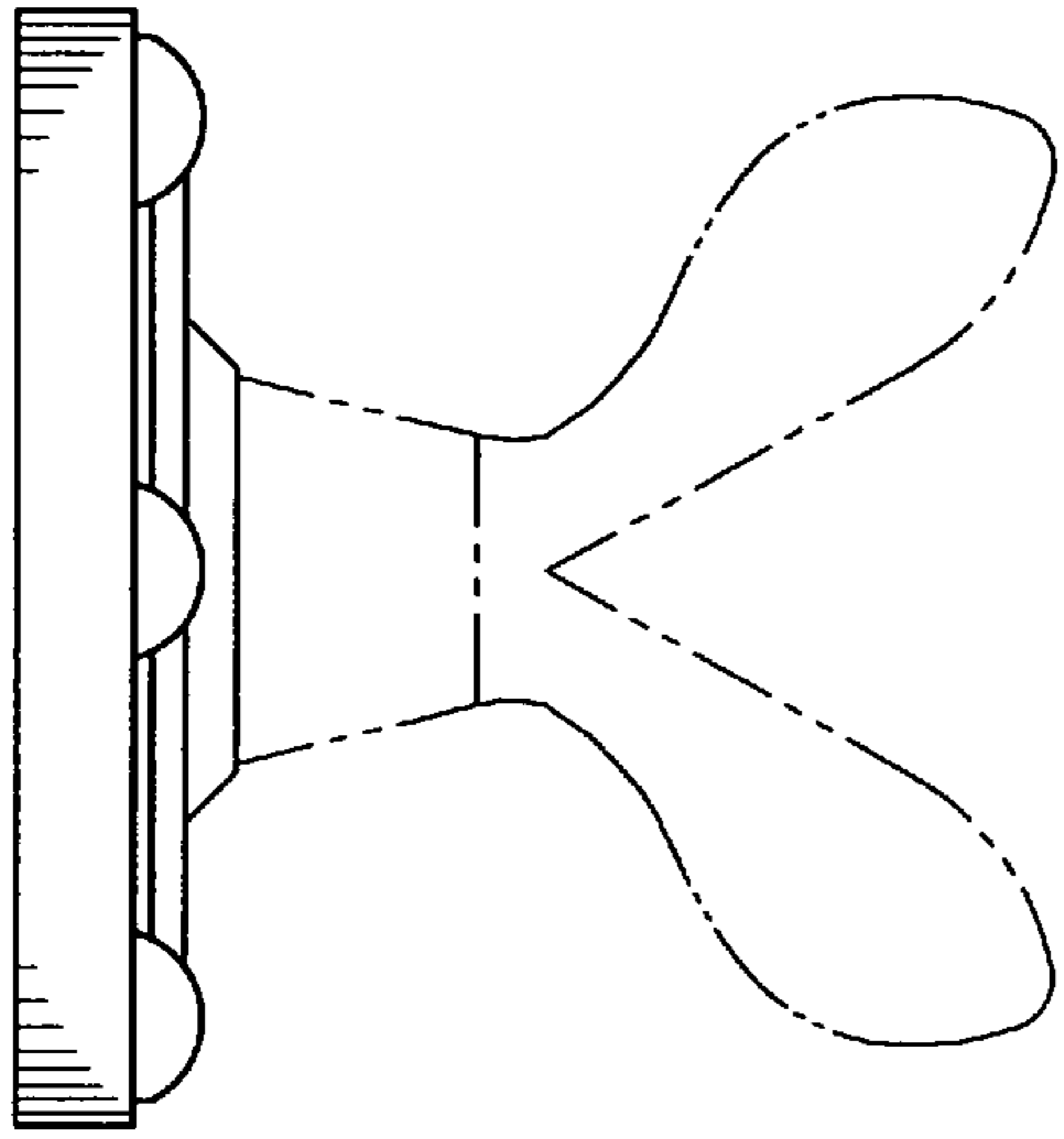


FIG. 8

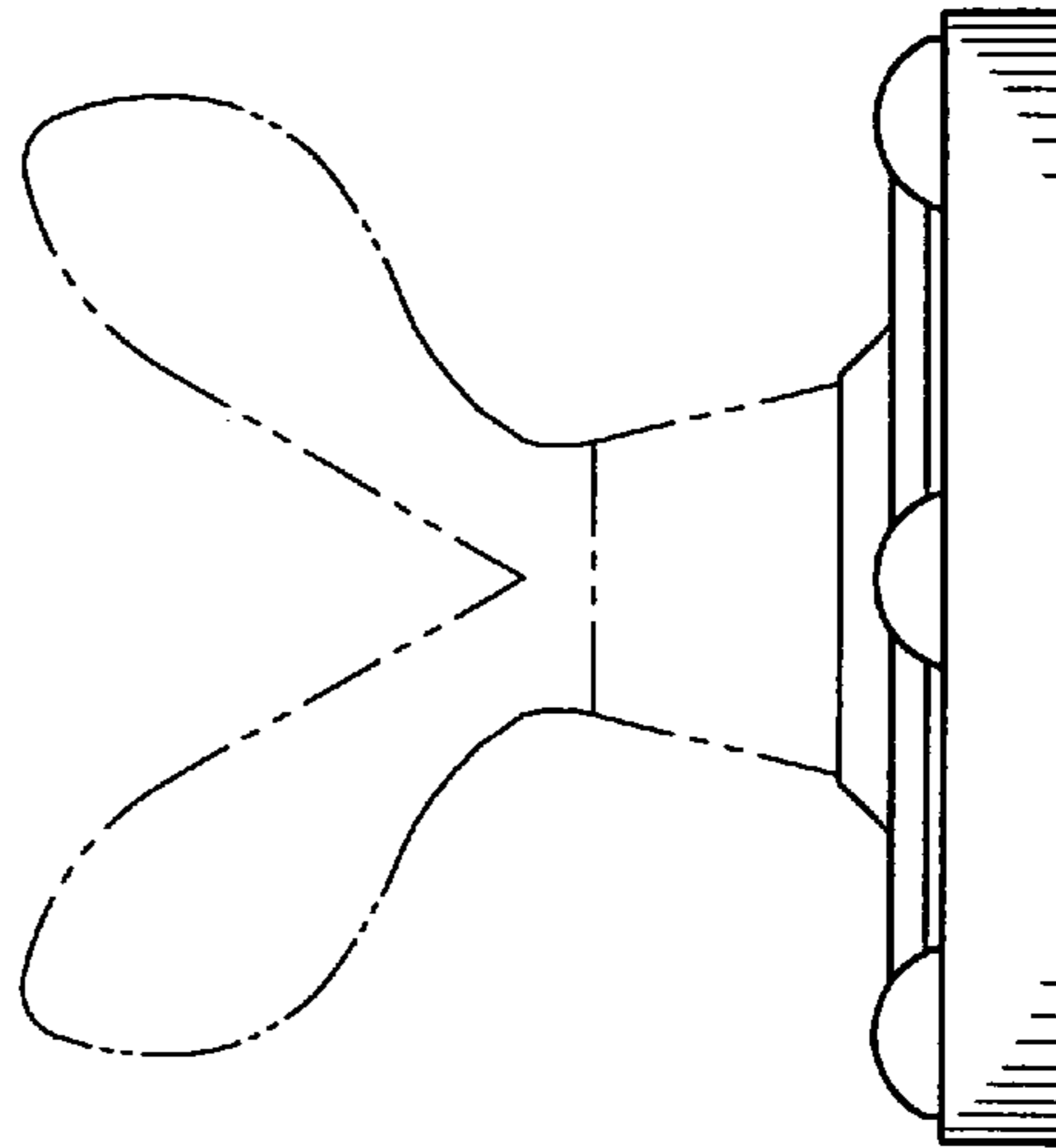


FIG. 9

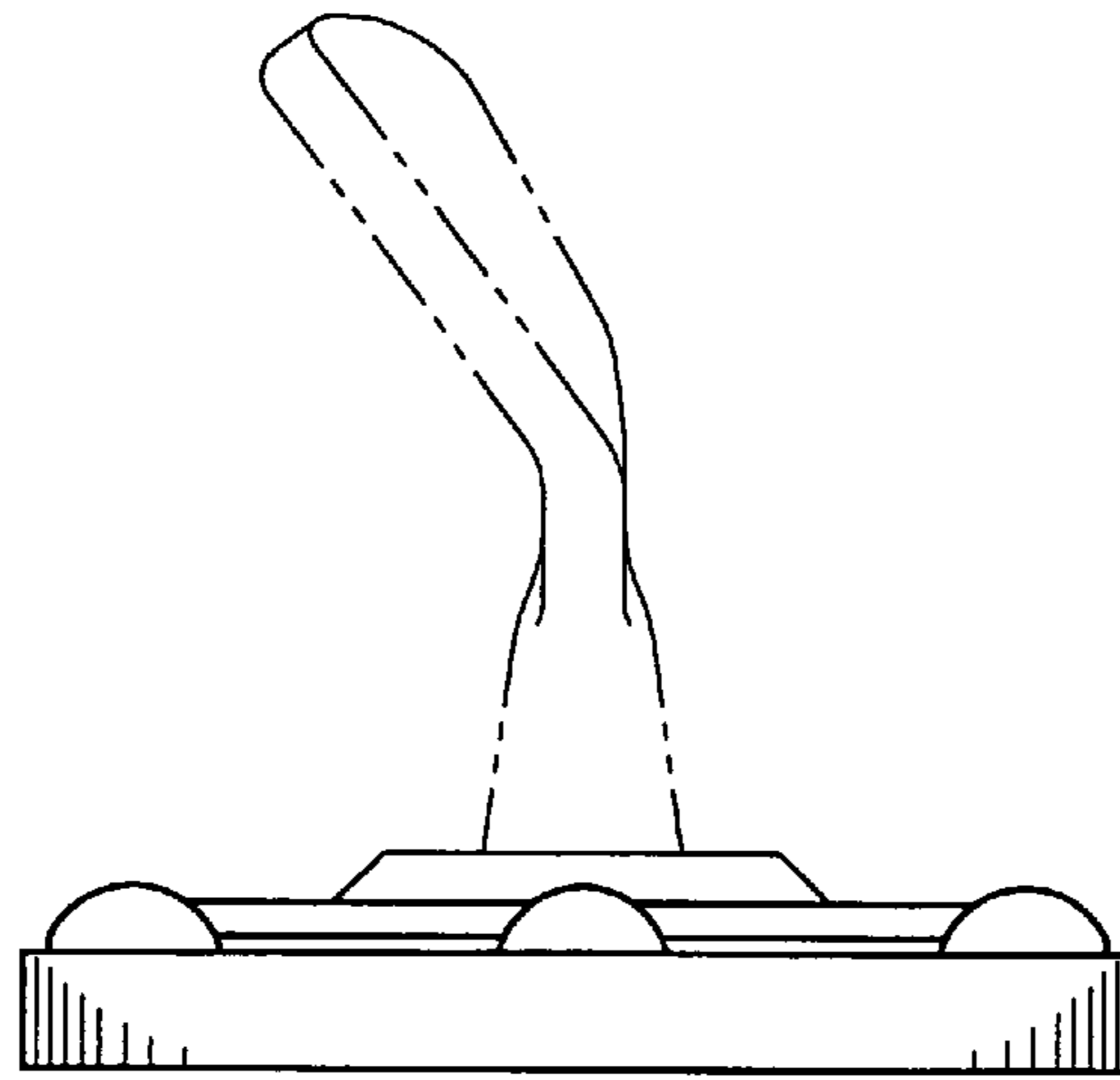


FIG. 7

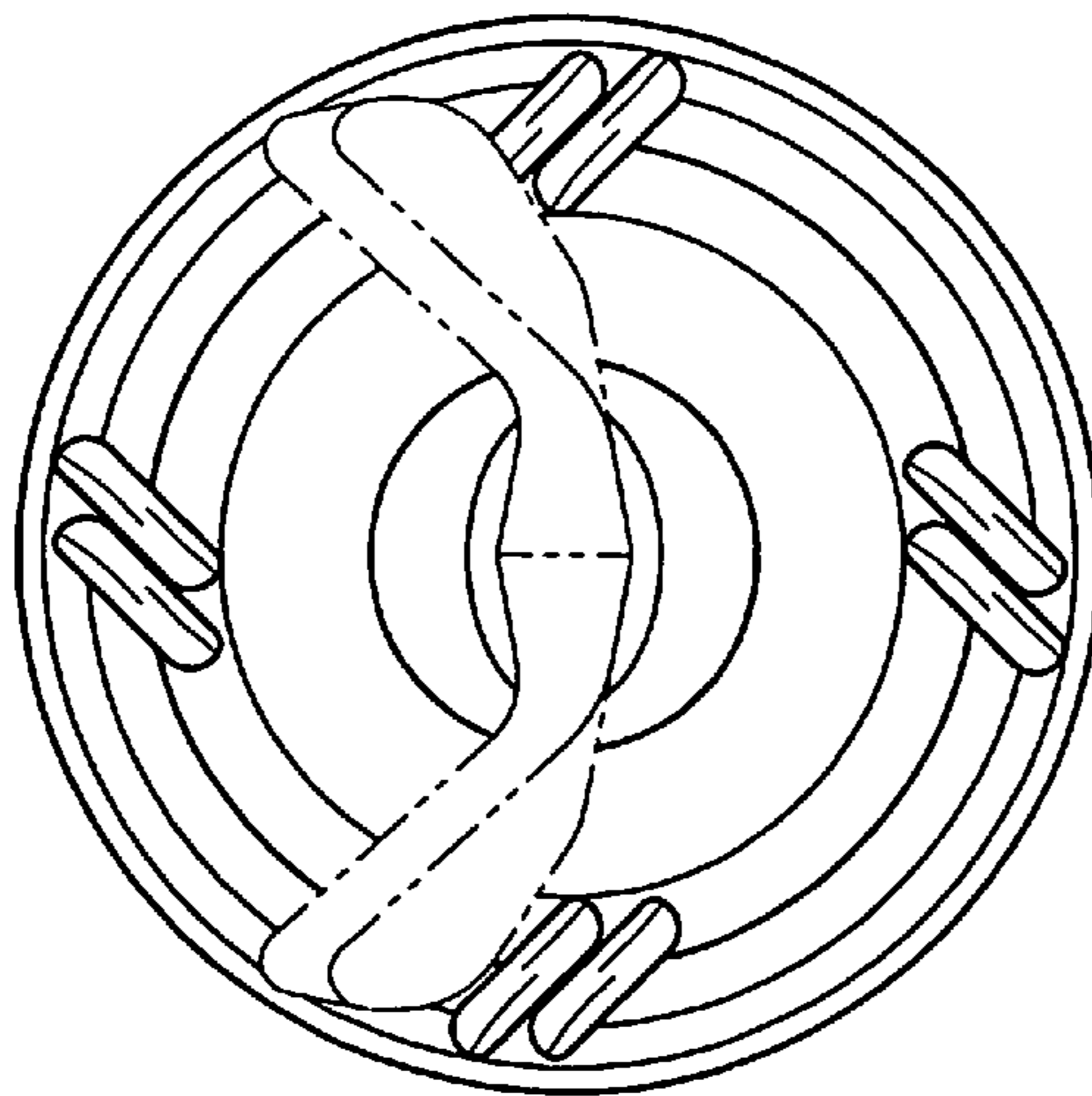


FIG. 6

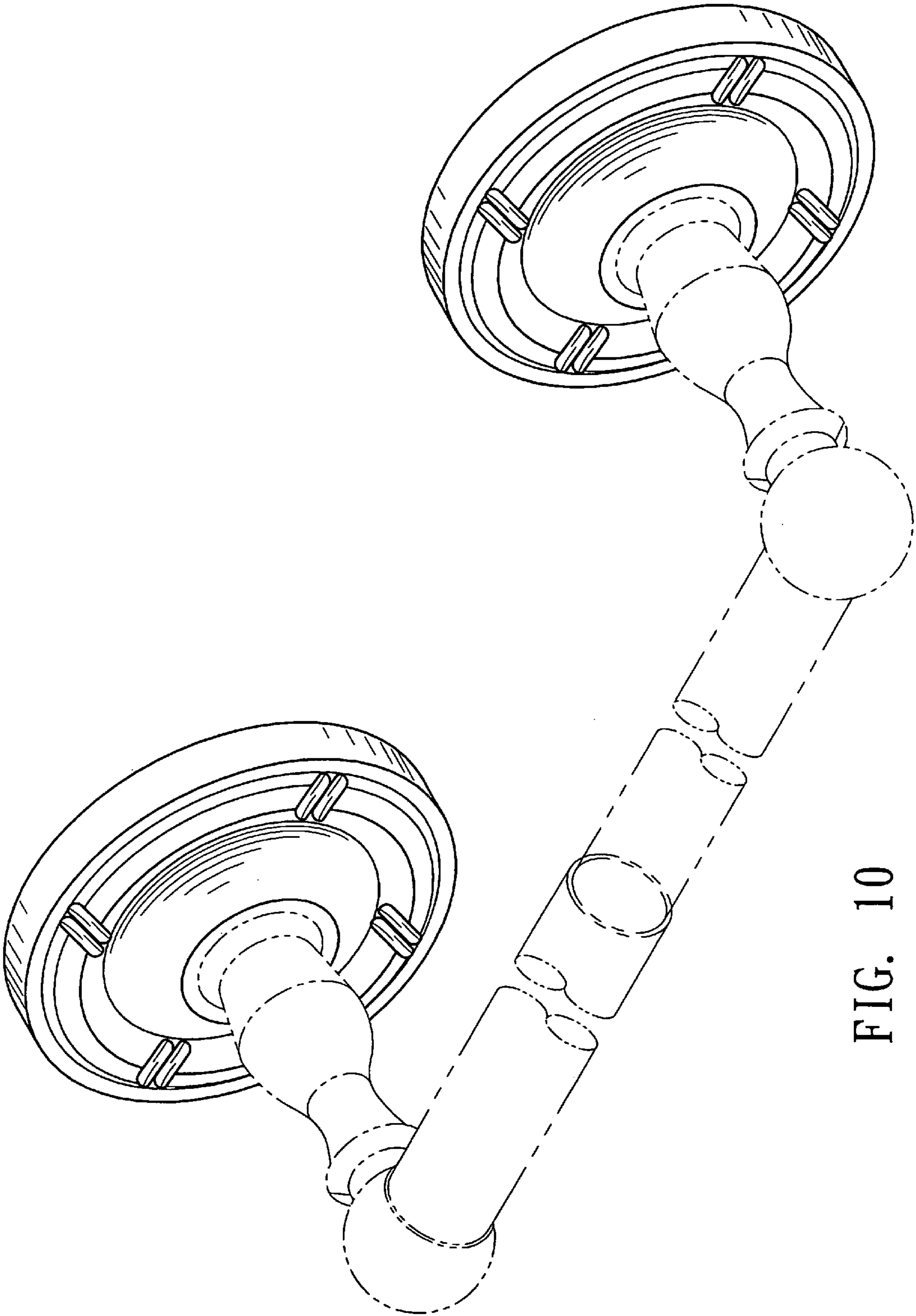
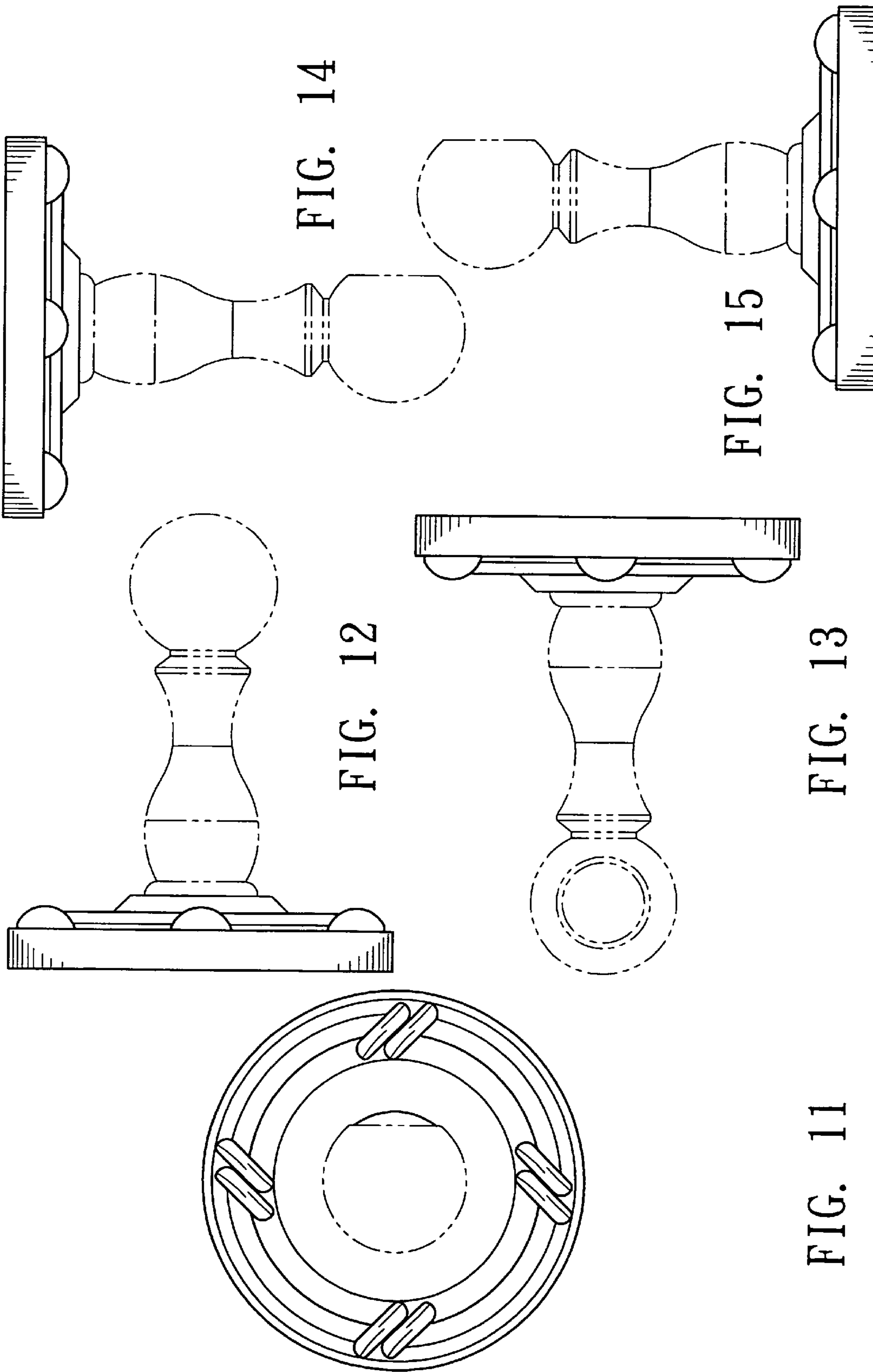


FIG. 10



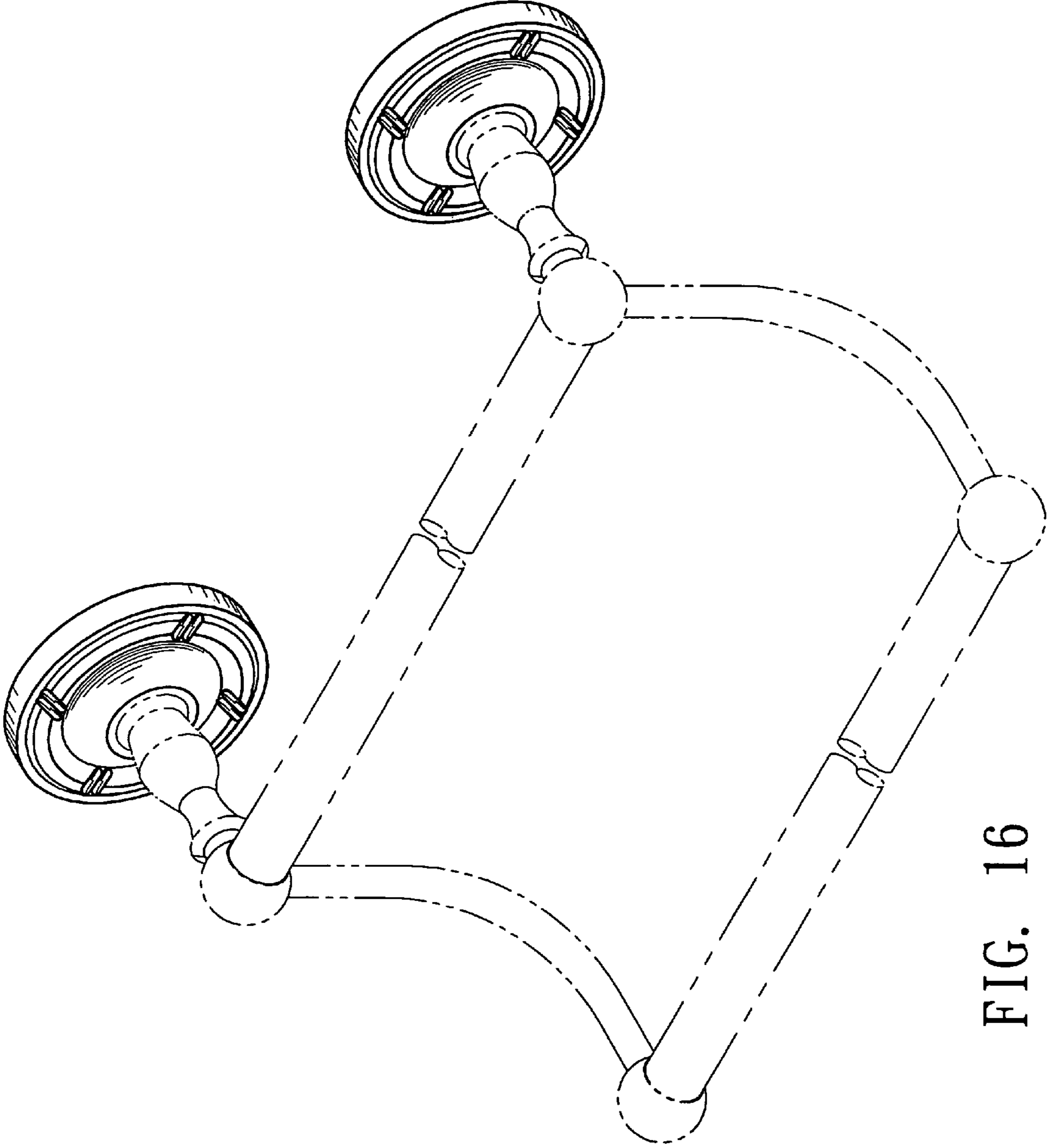


FIG. 16

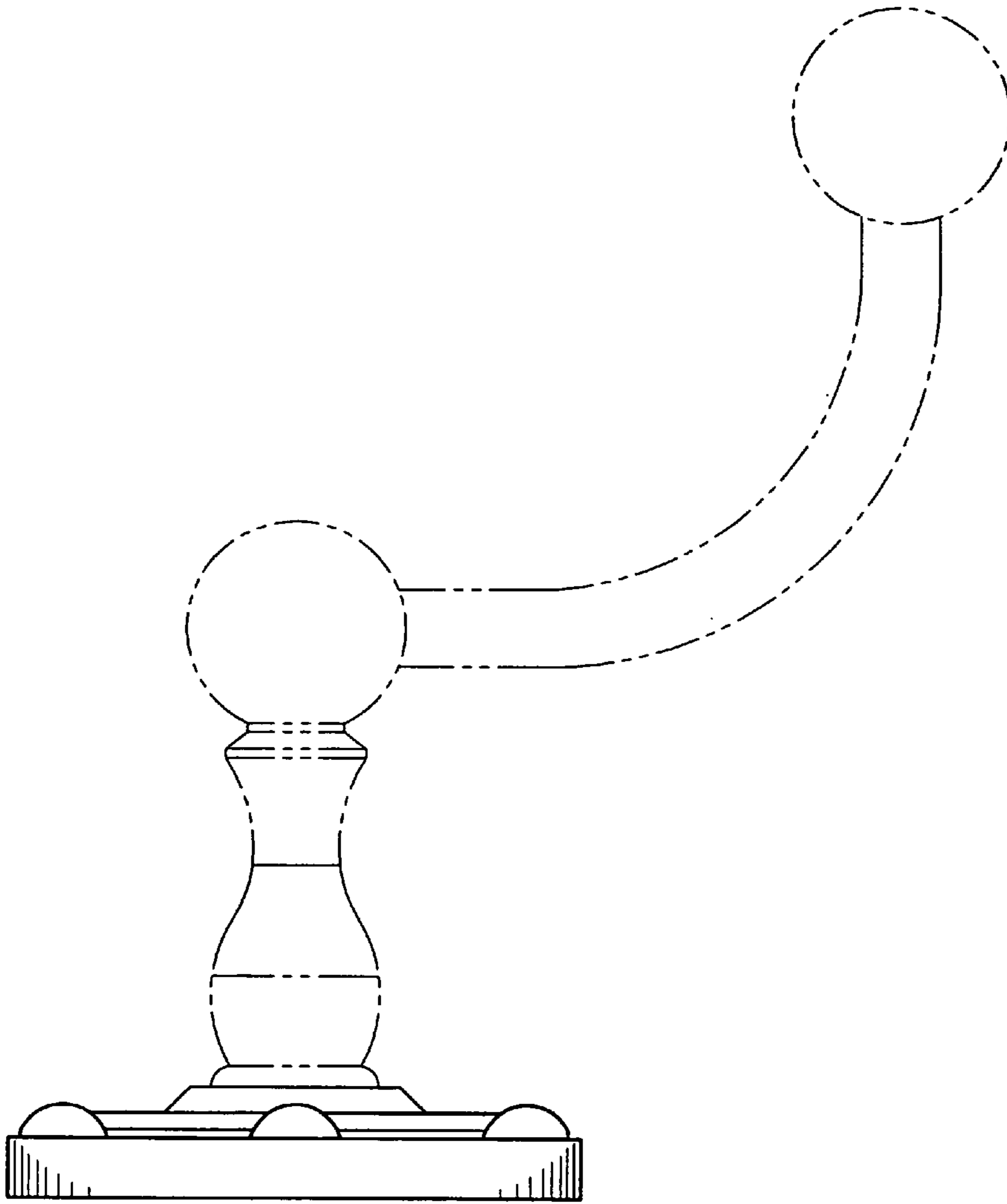


FIG. 17

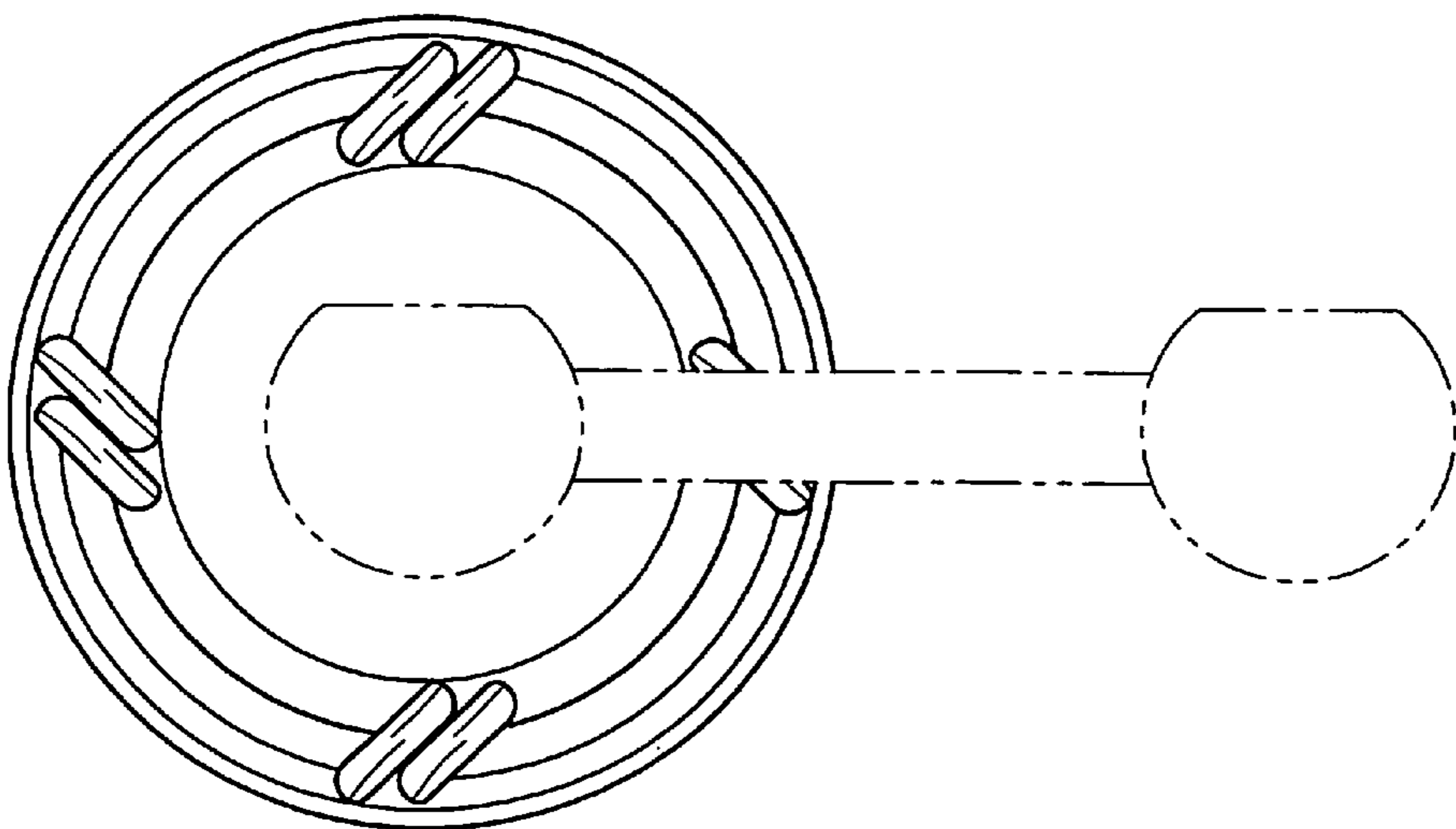


FIG. 18

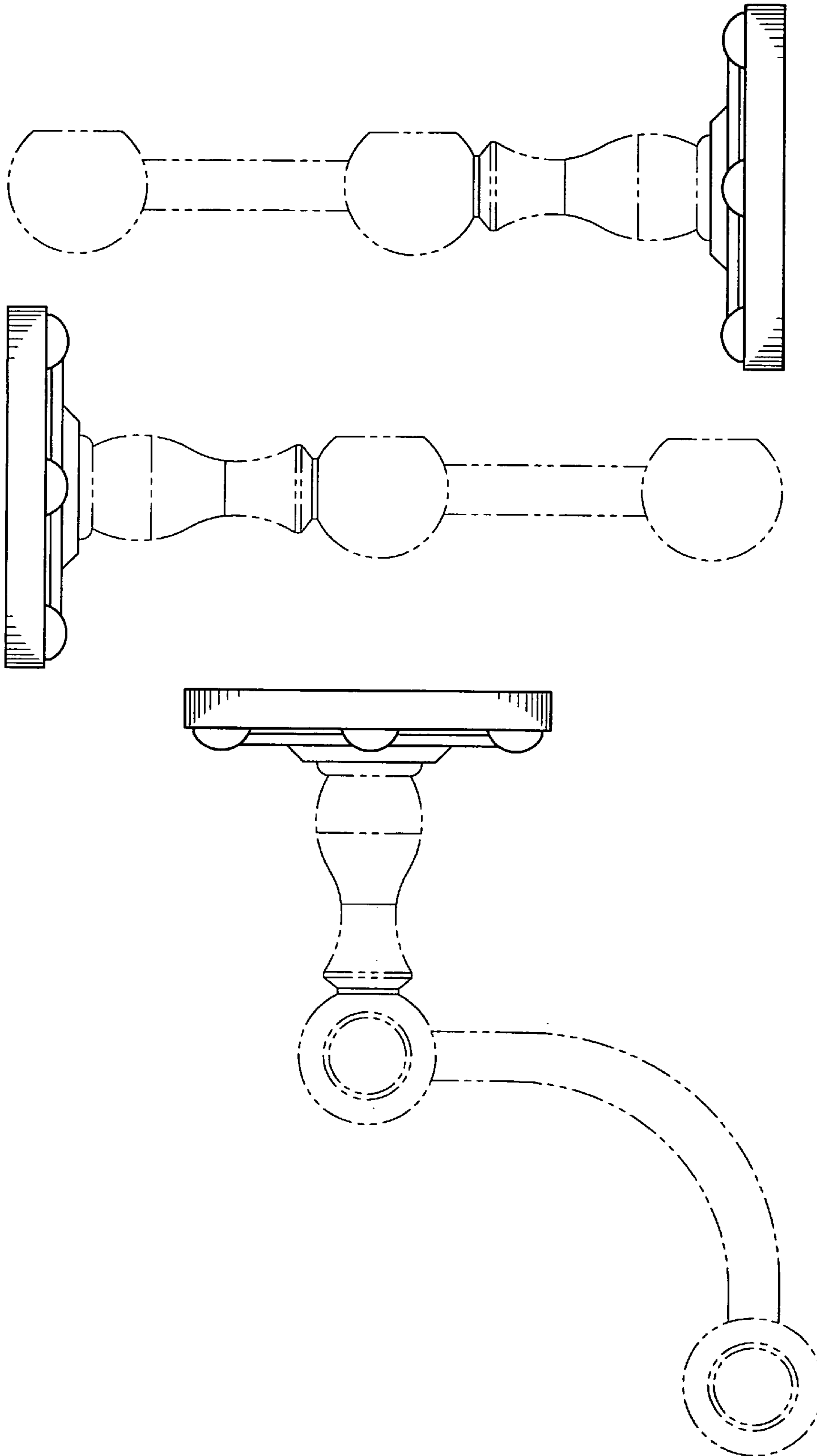


FIG. 19

FIG. 20

FIG. 21

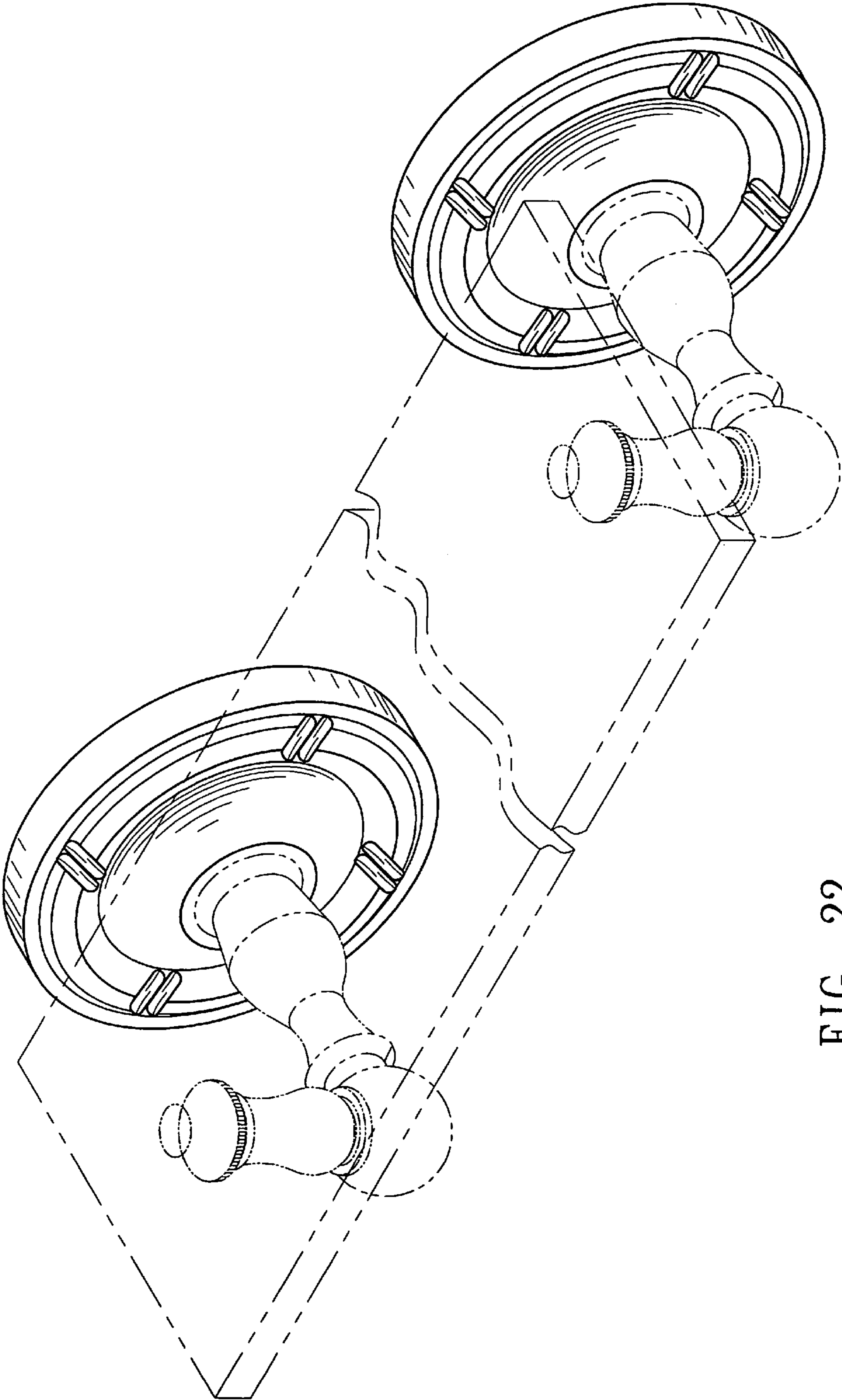


FIG. 22

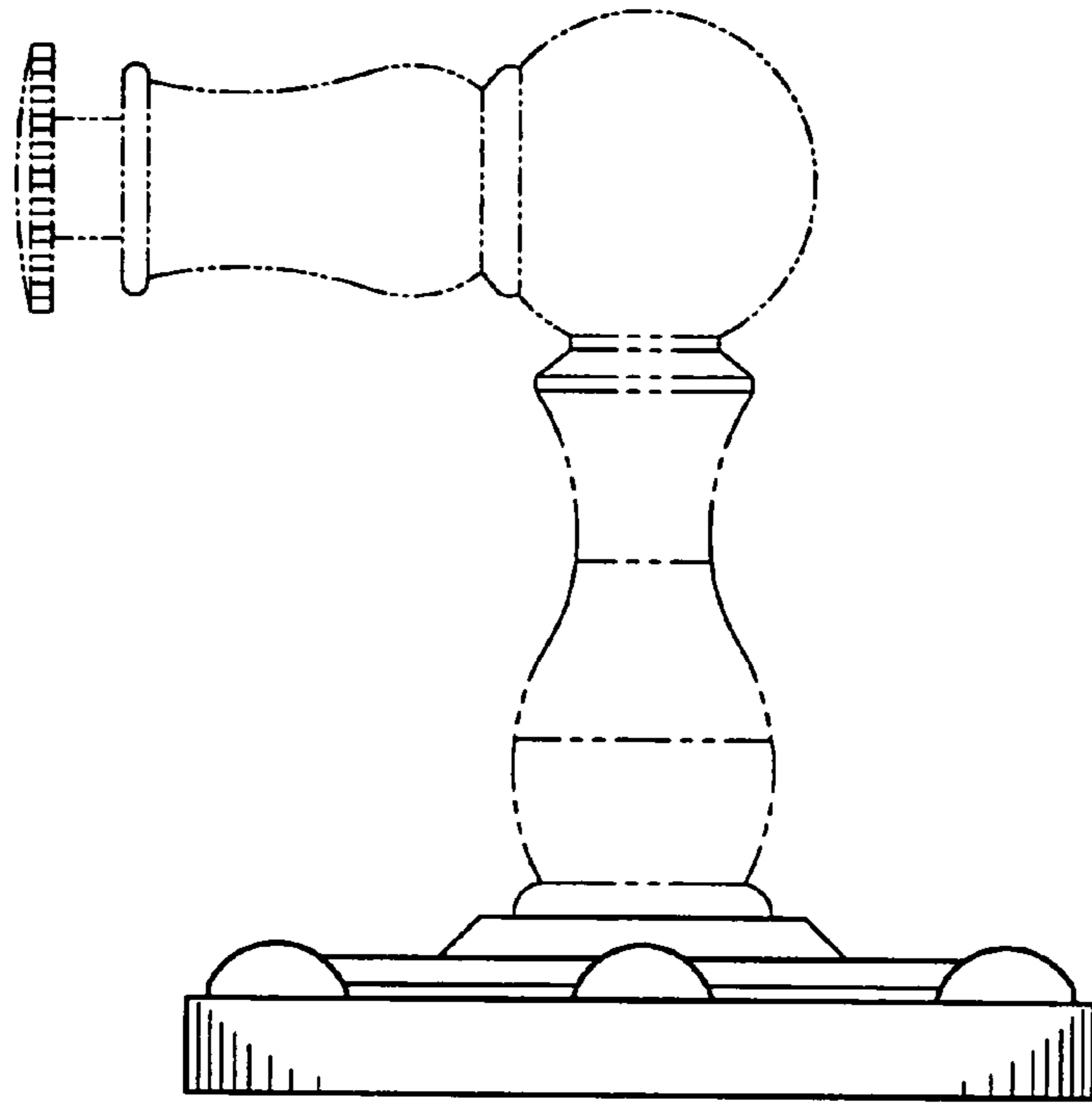


FIG. 23

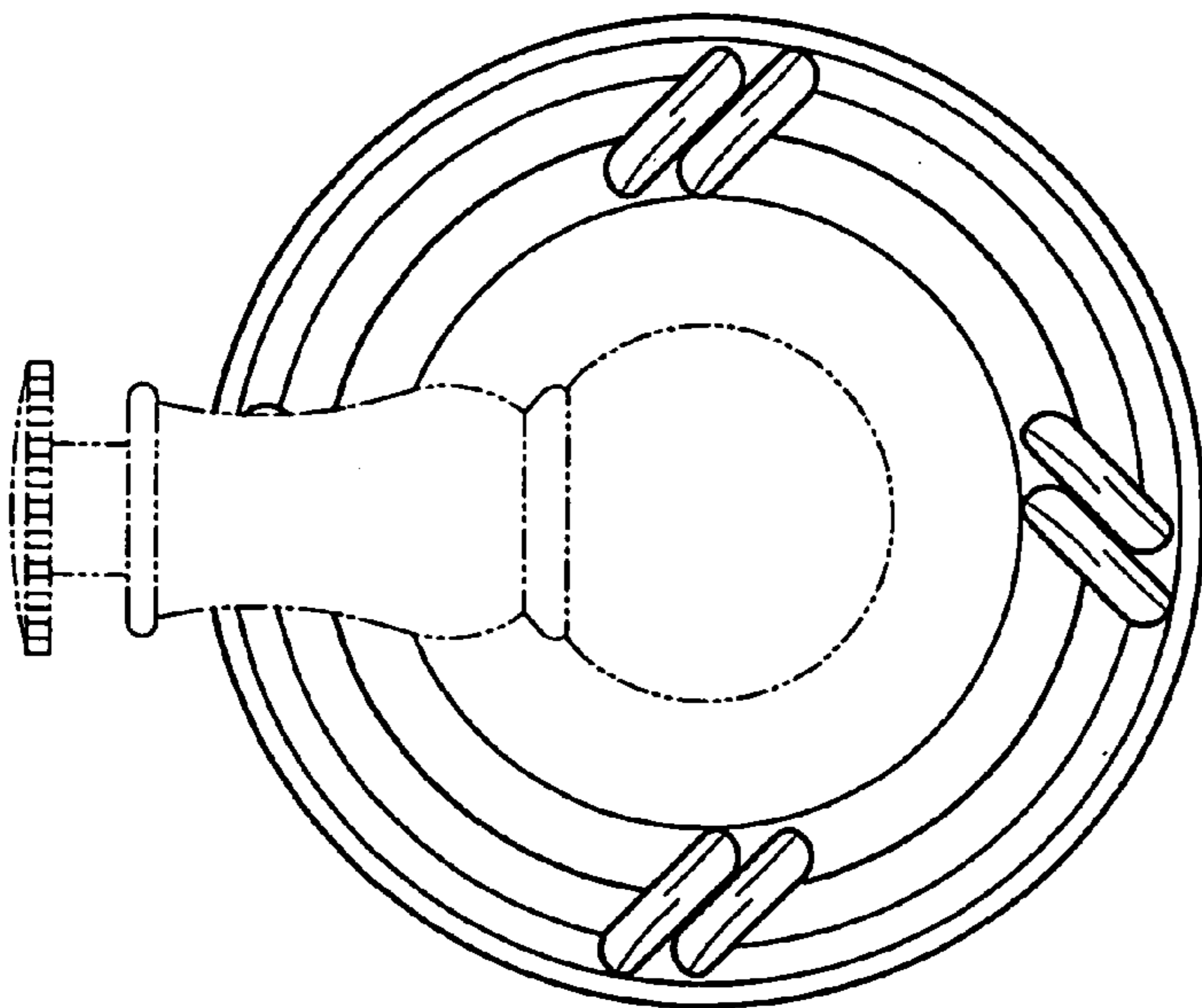


FIG. 24

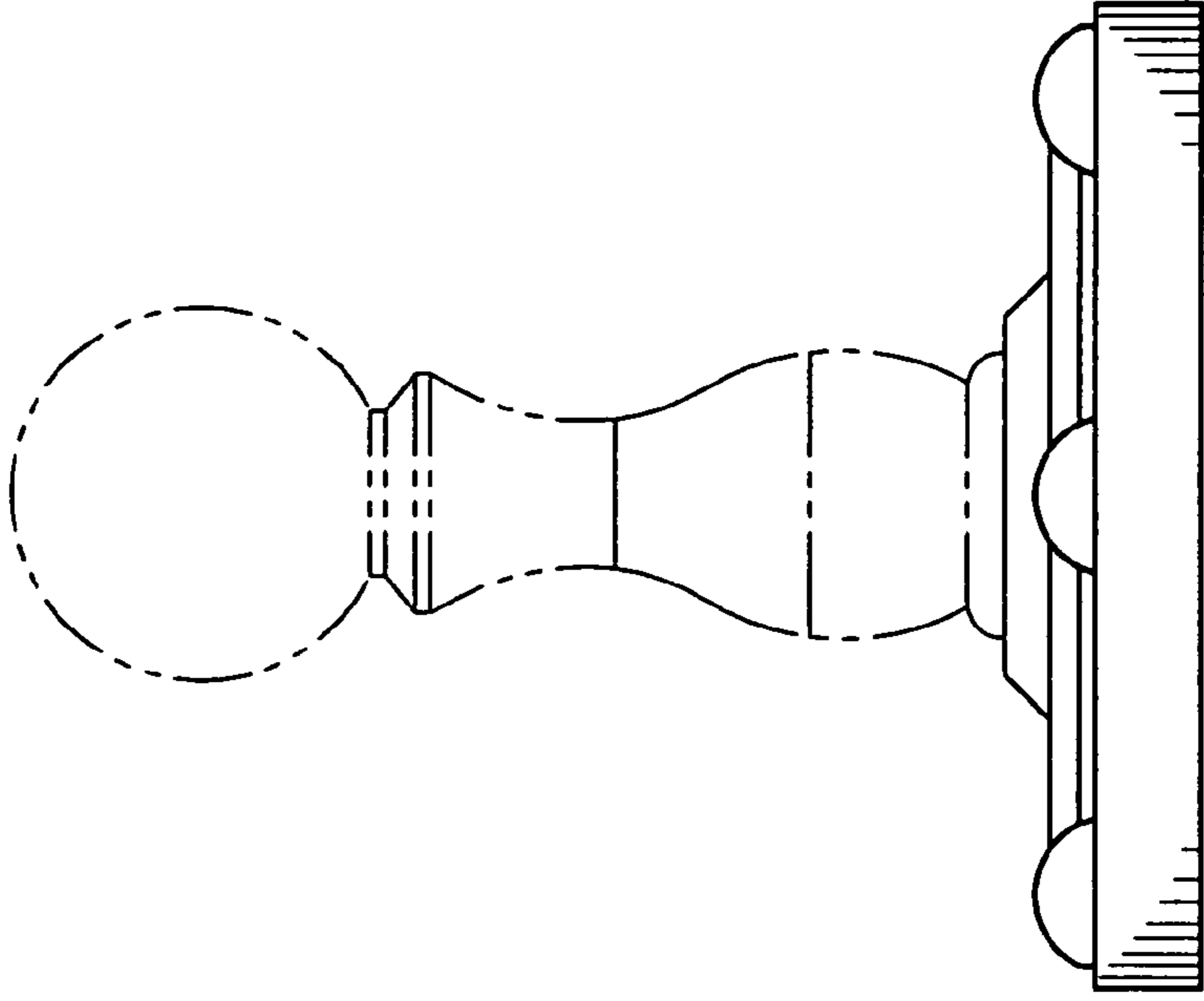


FIG. 25

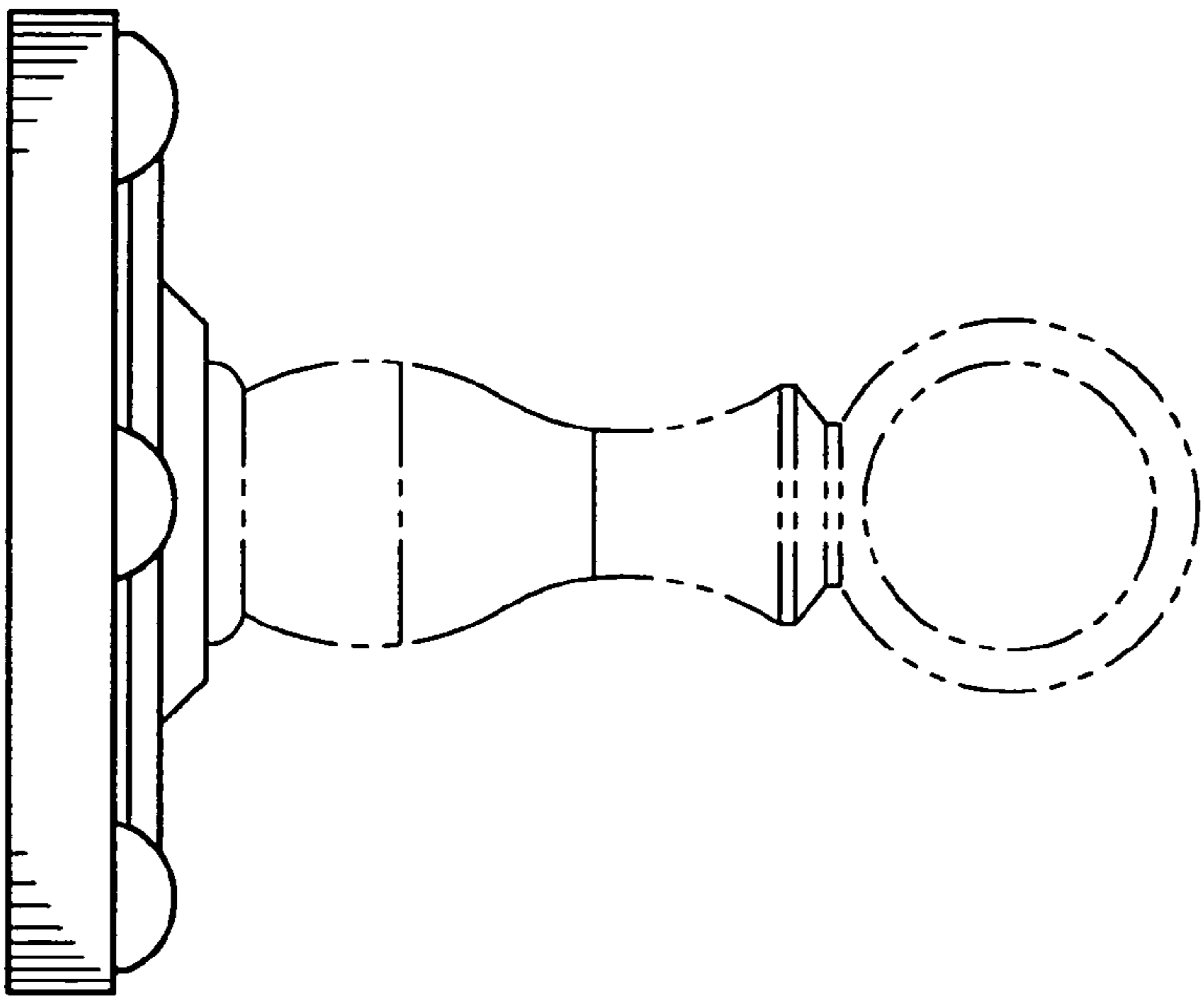


FIG. 26

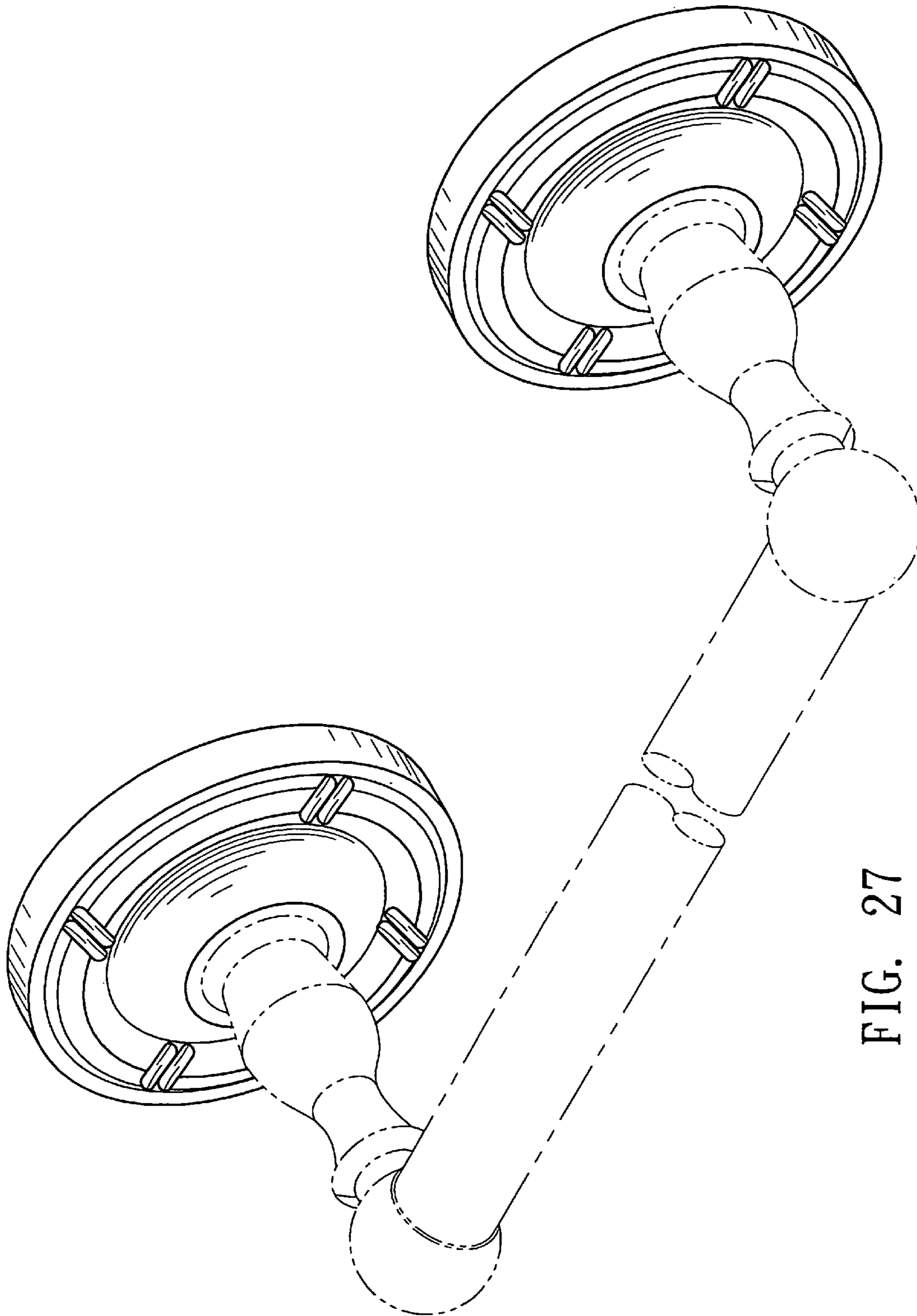


FIG. 27

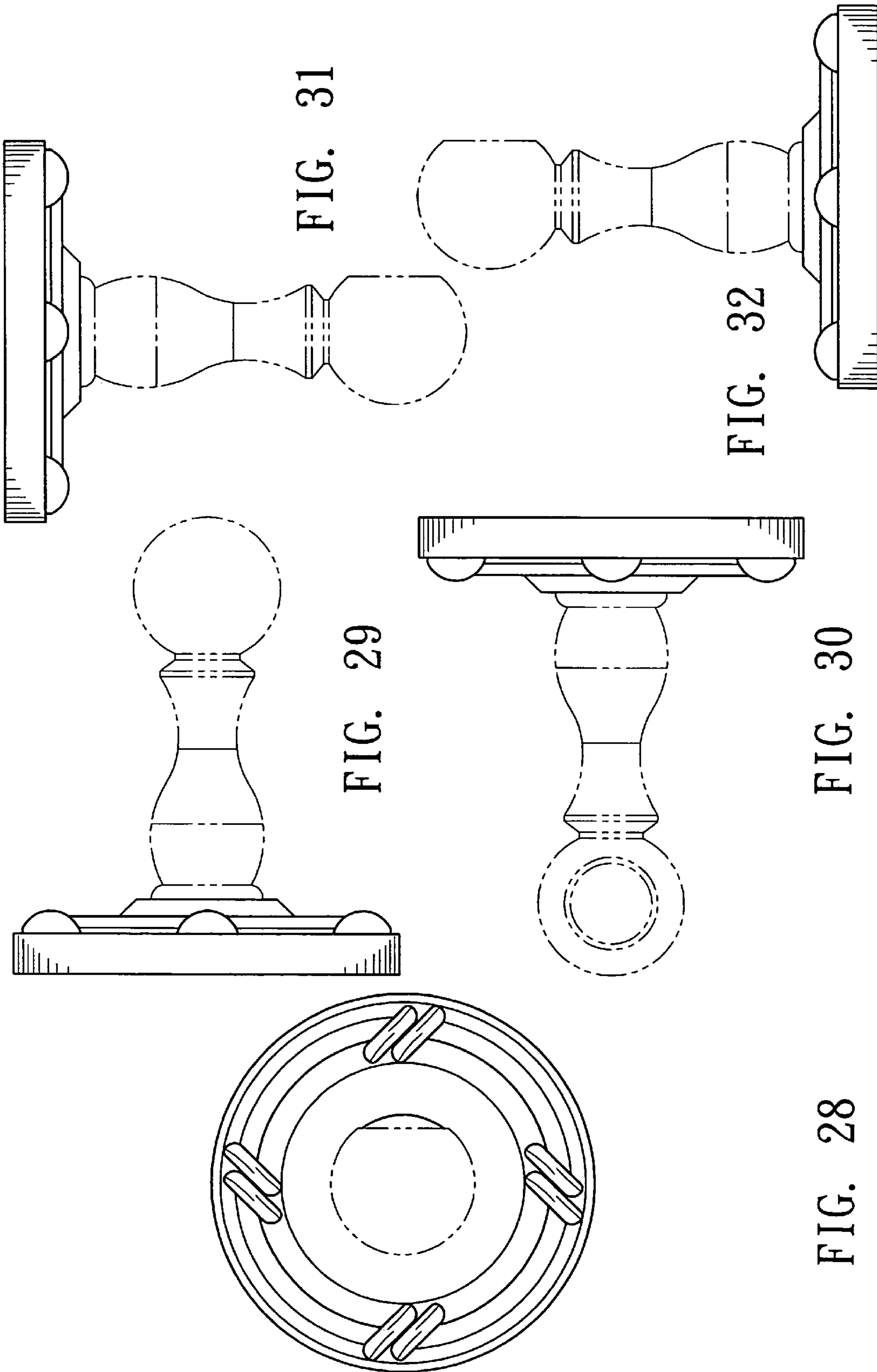


FIG. 31

FIG. 32

FIG. 29

FIG. 30

FIG. 28