



US00D554402S

(12) **United States Design Patent** (10) **Patent No.:** **US D554,402 S**
Krueger (45) **Date of Patent:** **** Nov. 6, 2007**

(54) **ROTATABLE ARM ASSEMBLY FOR FORMING A PAPER PAD**

Primary Examiner—Brian N Vinson
(74) *Attorney, Agent, or Firm*—Donald K. Wedding

(76) **Inventor:** **Wallace F. Krueger**, 4401 Merriweather, Toledo, OH (US) 43623

(57) **CLAIM**

The ornamental design for a rotatable arm assembly for forming a paper pad, as shown and described.

(**) **Term:** **14 Years**

(21) **Appl. No.:** **29/254,647**

DESCRIPTION

(22) **Filed:** **Feb. 27, 2006**

(51) **LOC (8) Cl.** **23-02**

(52) **U.S. Cl.** **D6/523; D6/518**

(58) **Field of Classification Search** D6/546–550, D6/518–519, 522–524; D8/300, 303, 315–321; 108/28–29; 211/13.1, 16, 60.1, 86.01, 87.01, 211/88.01, 88.04, 100, 105.1–105.2, 123, 211/181.1, 182; 248/175, 176.1, 251, 302; 16/110.1, 412, 415; 242/570, 590, 595–598
See application file for complete search history.

FIG. 1 is a top plan view of a rotatable arm assembly for forming a paper pad showing my new design, the bottom plan view being a mirror image of that shown;

FIG. 2 is a front elevational view thereof;

FIG. 3 is a left side elevational view thereof, the right side being a mirror image of that shown;

FIG. 4 is a perspective view thereof;

FIG. 5 is an additional perspective view thereof, with the assembly shown slightly rotated; and,

FIG. 6 is a left side elevational view thereof, the right side being a mirror image thereof.

The broken-line disclosure of a vertical support and toilet paper roll shown in the views is for illustrative purposes only and forms no part of the claimed design.

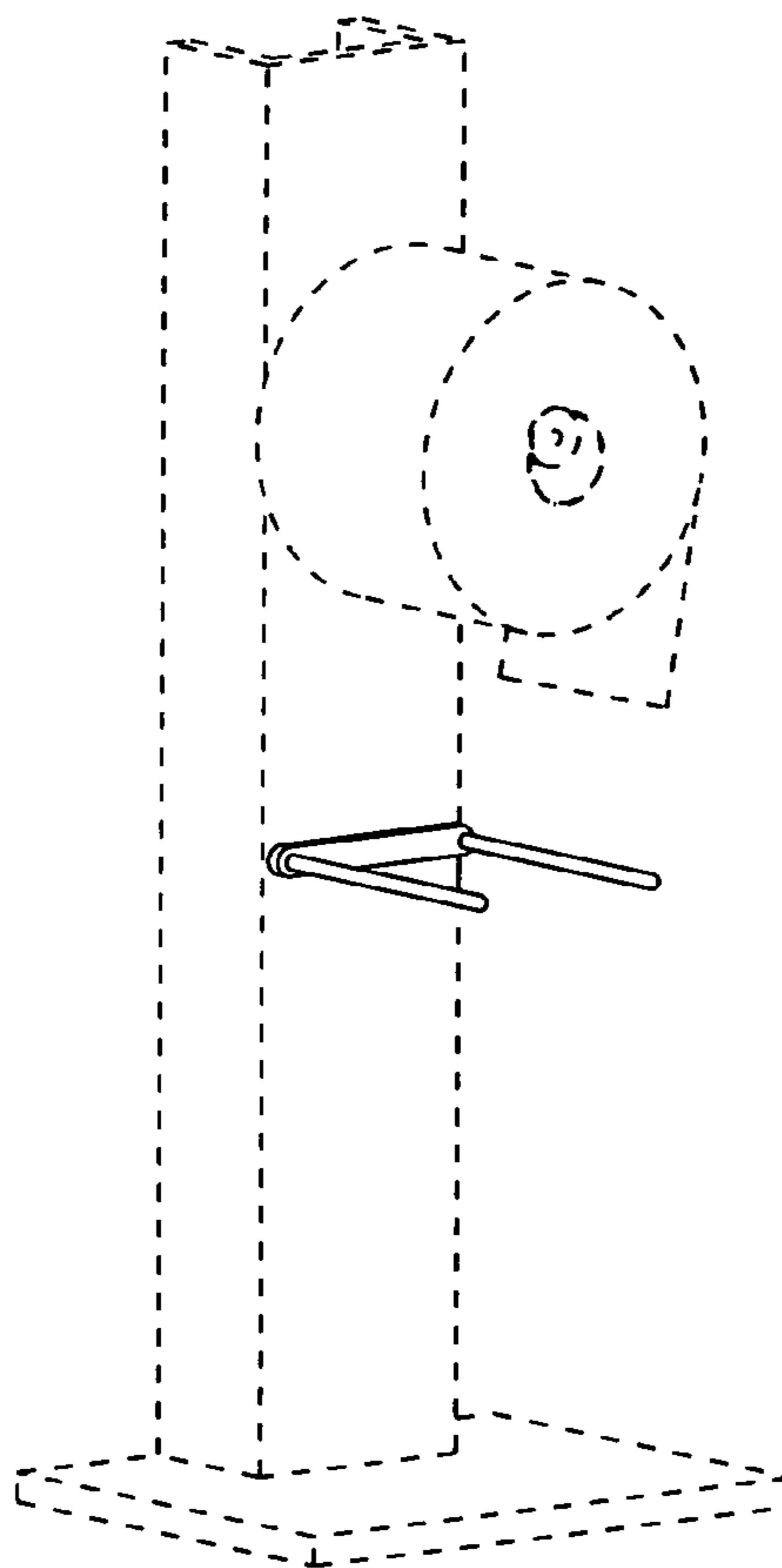
(56) **References Cited**

U.S. PATENT DOCUMENTS

D517,847 S * 3/2006 Aubry et al. D6/523
D540,591 S * 4/2007 Snell D6/523

* cited by examiner

1 Claim, 3 Drawing Sheets



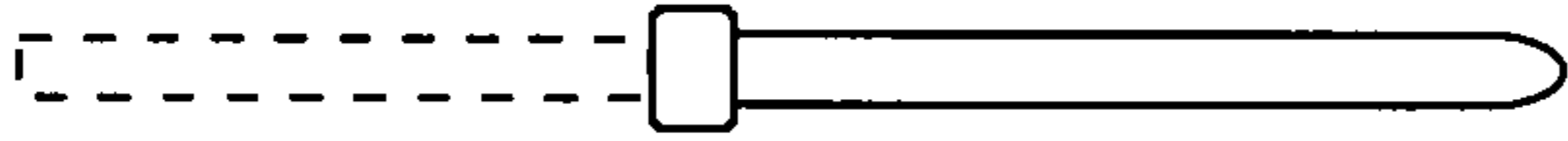


Figure 3

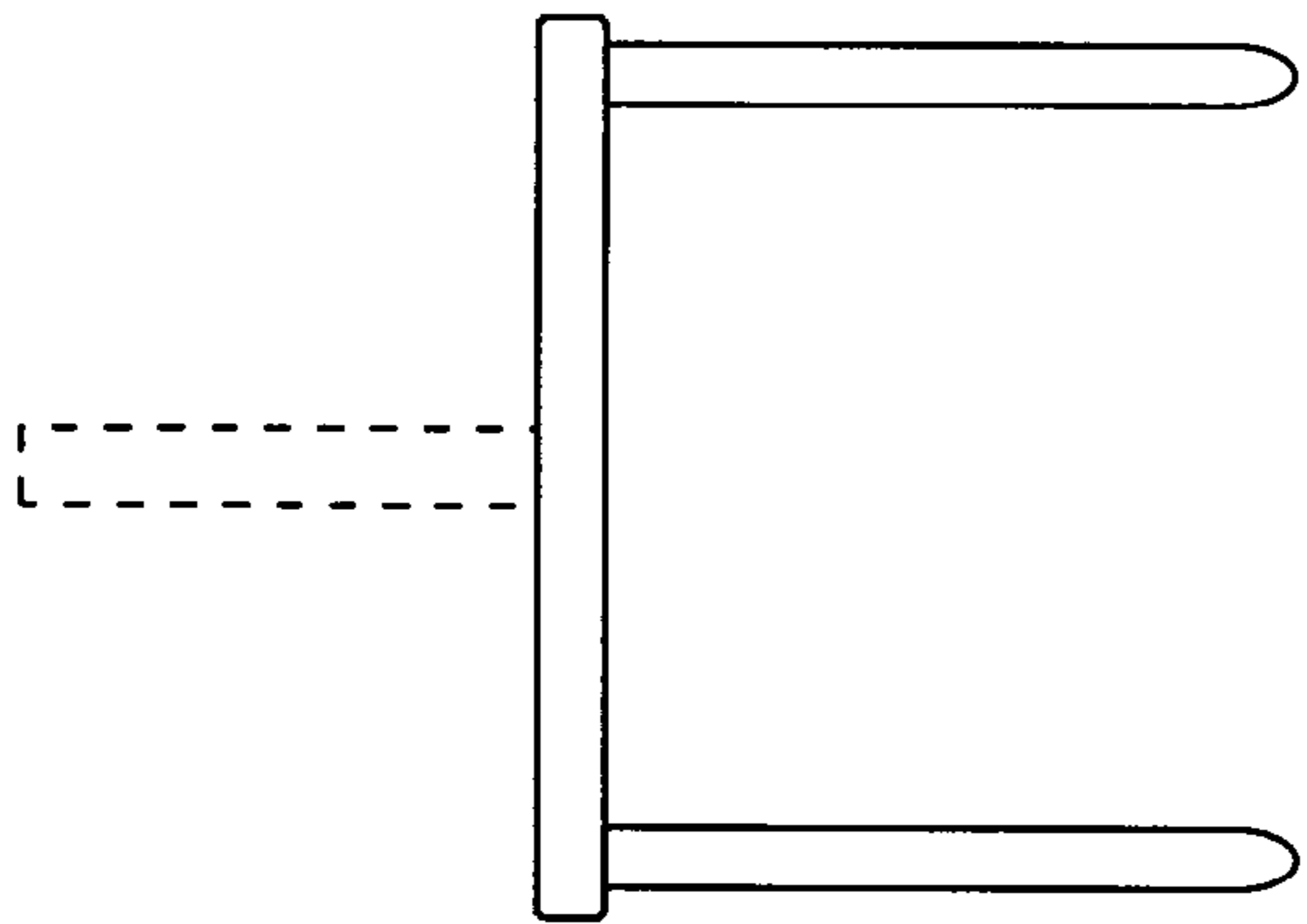


Figure 1

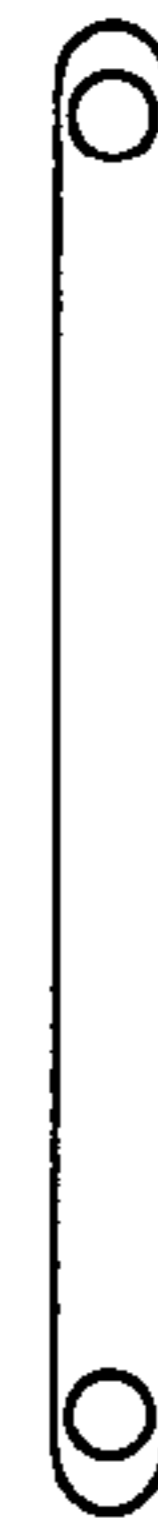


Figure 2

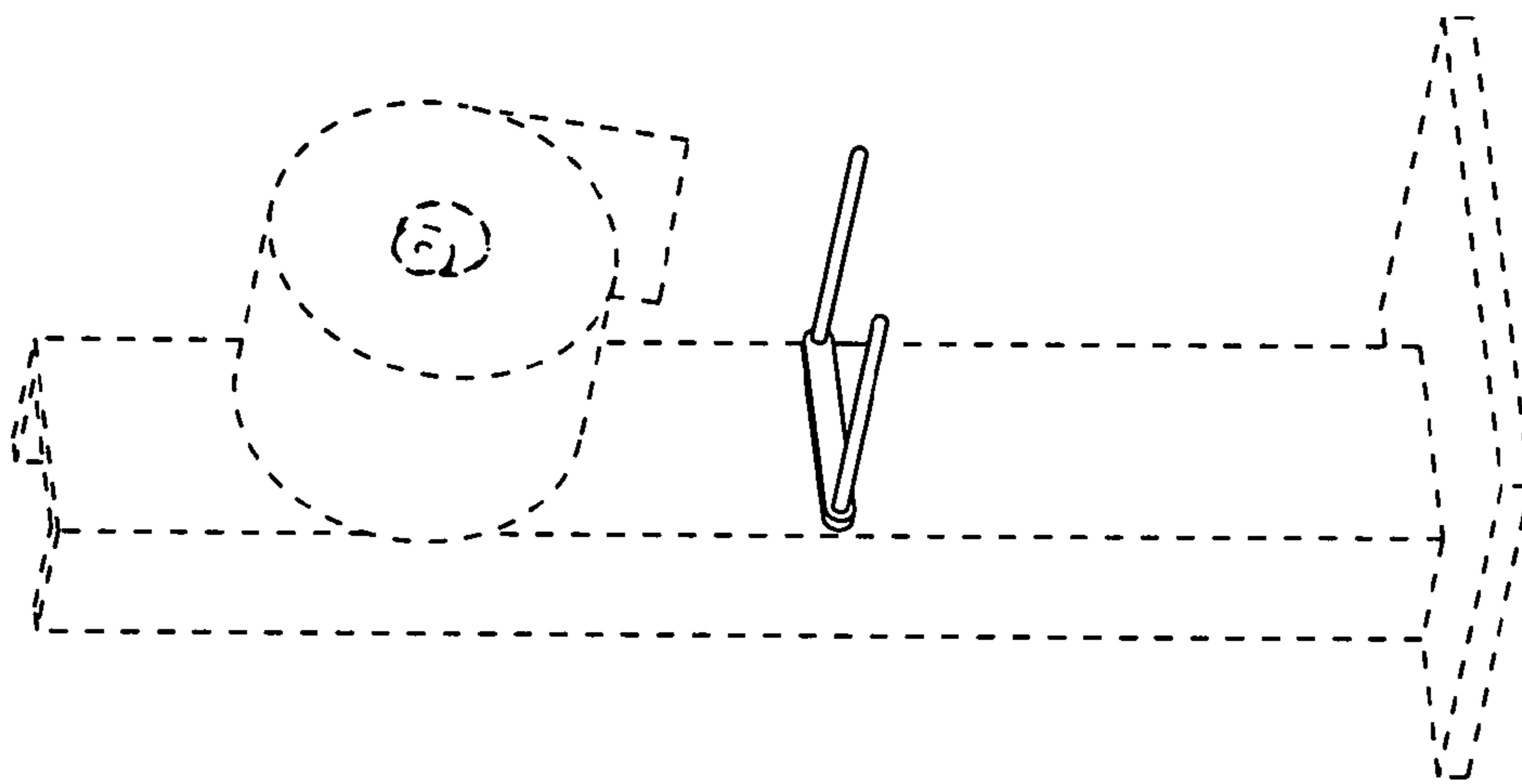


Figure 4

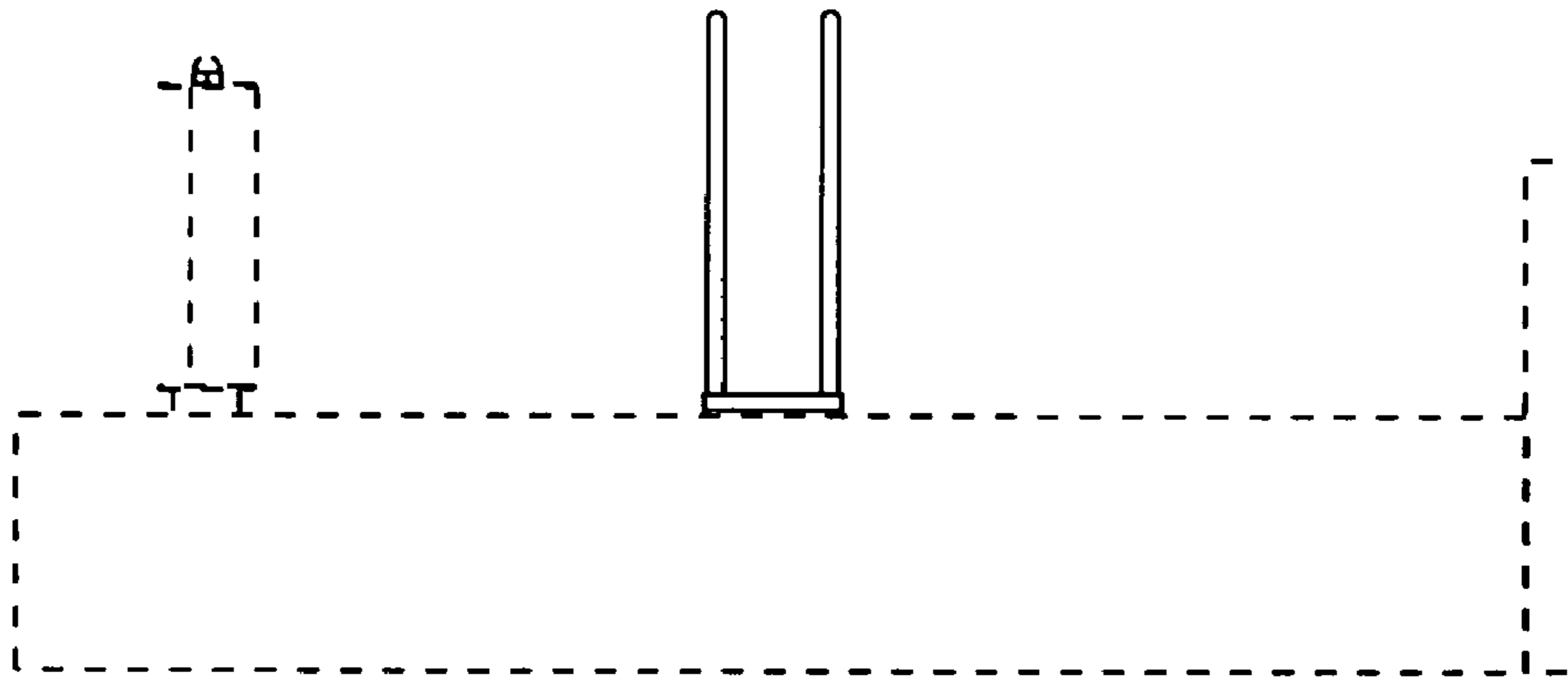


Figure 6

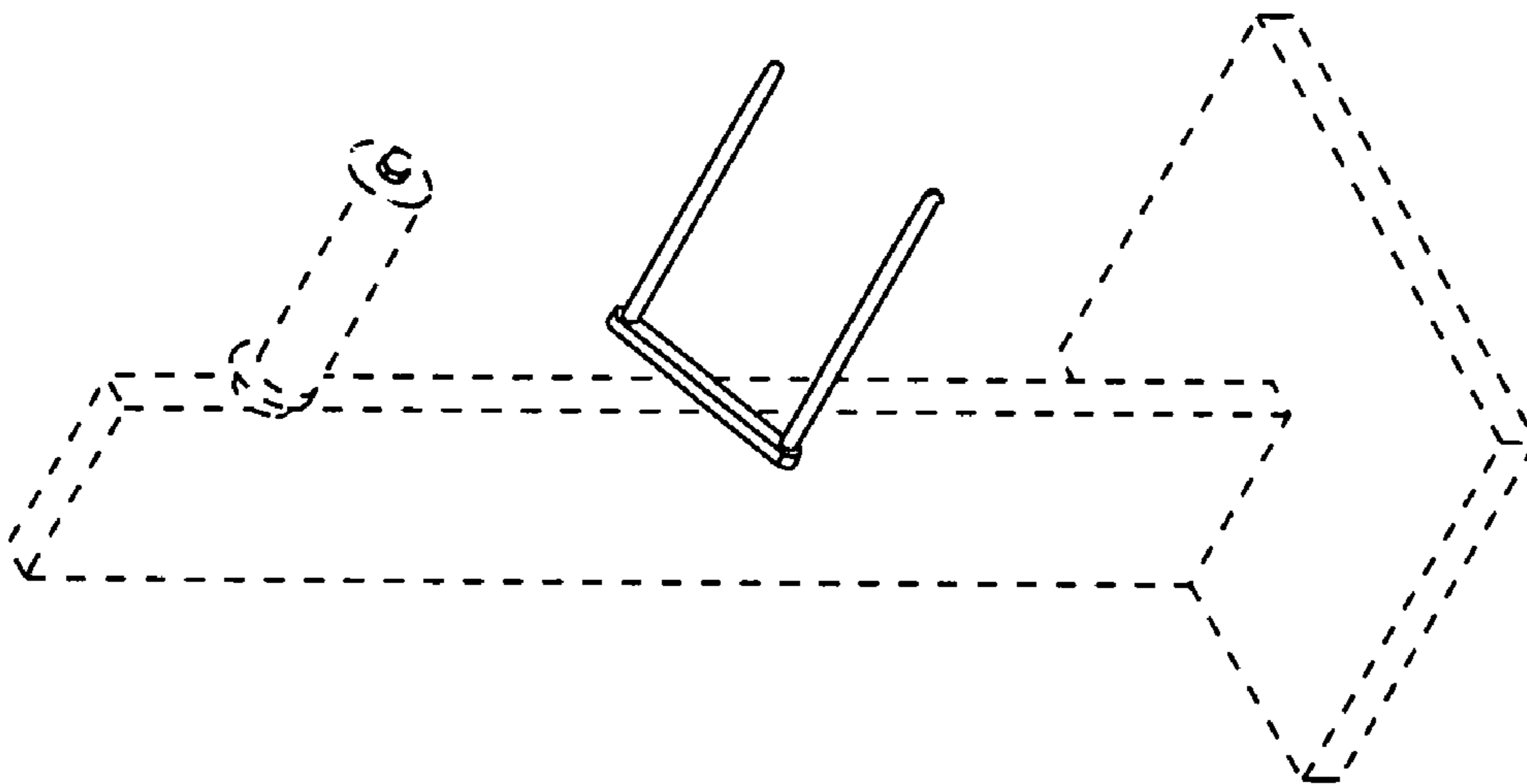


Figure 5