



US00D554401S

(12) **United States Design Patent** (10) **Patent No.:** **US D554,401 S**
Kim (45) **Date of Patent:** **** Nov. 6, 2007**

(54) **MULTIMEDIA FURNITURE**

(75) Inventor: **Hyung J. Kim**, Lynnwood, WA (US)

(73) Assignee: **Slam Brands, Inc.**, Redmond, WA (US)

(**) Term: **14 Years**

(21) Appl. No.: **29/247,510**

(22) Filed: **Jun. 22, 2006**

(51) **LOC (8) Cl.** **06-06**

(52) **U.S. Cl.** **D6/509**

(58) **Field of Classification Search** D6/462,
D6/466, 491-492, 494, 509, 518, 522, 561,
D6/416-417, 438, 434, 515, 408; D9/434,
D9/438, 447; D21/386, 491; 273/157 R;
312/204

See application file for complete search history.

(56) **References Cited**

U.S. PATENT DOCUMENTS

1,527,230	A *	2/1925	Schreter	2/154
D239,681	S *	4/1976	Smith	D6/419
4,061,937	A *	12/1977	Goel et al.	310/65
5,197,761	A *	3/1993	Shirdavani	281/15.1
D368,572	S *	4/1996	Pon et al.	D2/606
5,864,377	A *	1/1999	Kim	349/150
D410,457	S *	6/1999	Eyler	D14/432
D456,641	S *	5/2002	Carrabba	D6/479
D460,054	S *	7/2002	Jensen et al.	D13/184
D479,564	S *	9/2003	Carr	D21/376
6,762,729	B2 *	7/2004	Egashira	343/767

D496,544	S *	9/2004	Bosman	D6/479
D533,414	S *	12/2006	Claypool et al.	D7/701
2003/0043084	A1 *	3/2003	Egashira	343/767

* cited by examiner

Primary Examiner—Cathron C. Brooks

Assistant Examiner—Kelley A. Donnelly

(74) *Attorney, Agent, or Firm*—Amin, Turocy & Calvin, LLP; Thomas E. Watson

(57) **CLAIM**

An ornamental design for multimedia furniture, as shown.

DESCRIPTION

FIG. 1 is a perspective view of the multimedia furniture design;

FIG. 2 is a front view of the multimedia furniture shown in FIG. 1;

FIG. 3 is a back view of the multimedia furniture shown in FIG. 1;

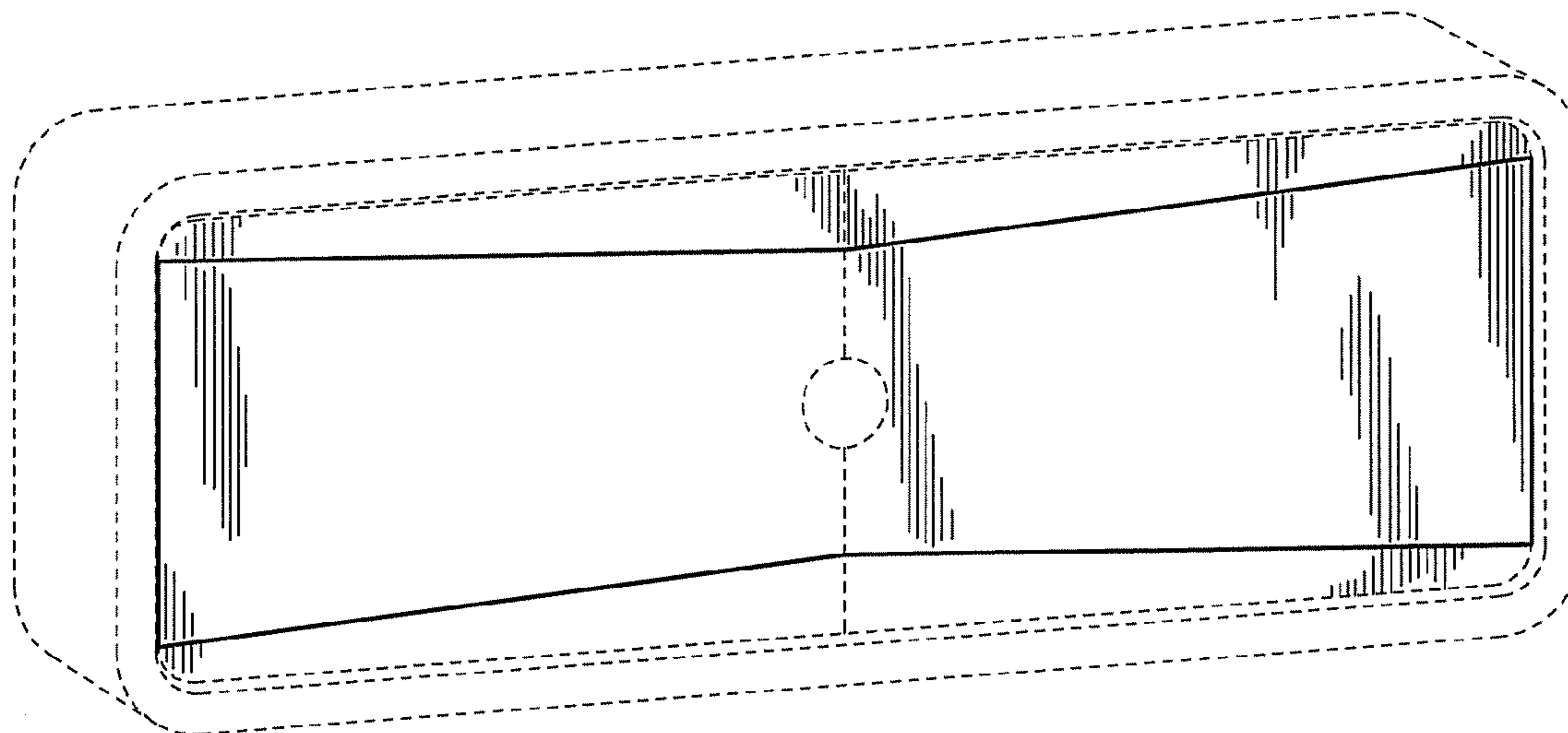
FIG. 4 is a top view of the multimedia furniture shown in FIG. 1;

FIG. 5 is a side view of the multimedia furniture shown in FIG. 1; and,

FIG. 6 is a bottom view of the multimedia furniture shown in FIG. 1.

The dashed lines in the drawings represent environmental furniture and form no part of the claimed design.

1 Claim, 3 Drawing Sheets



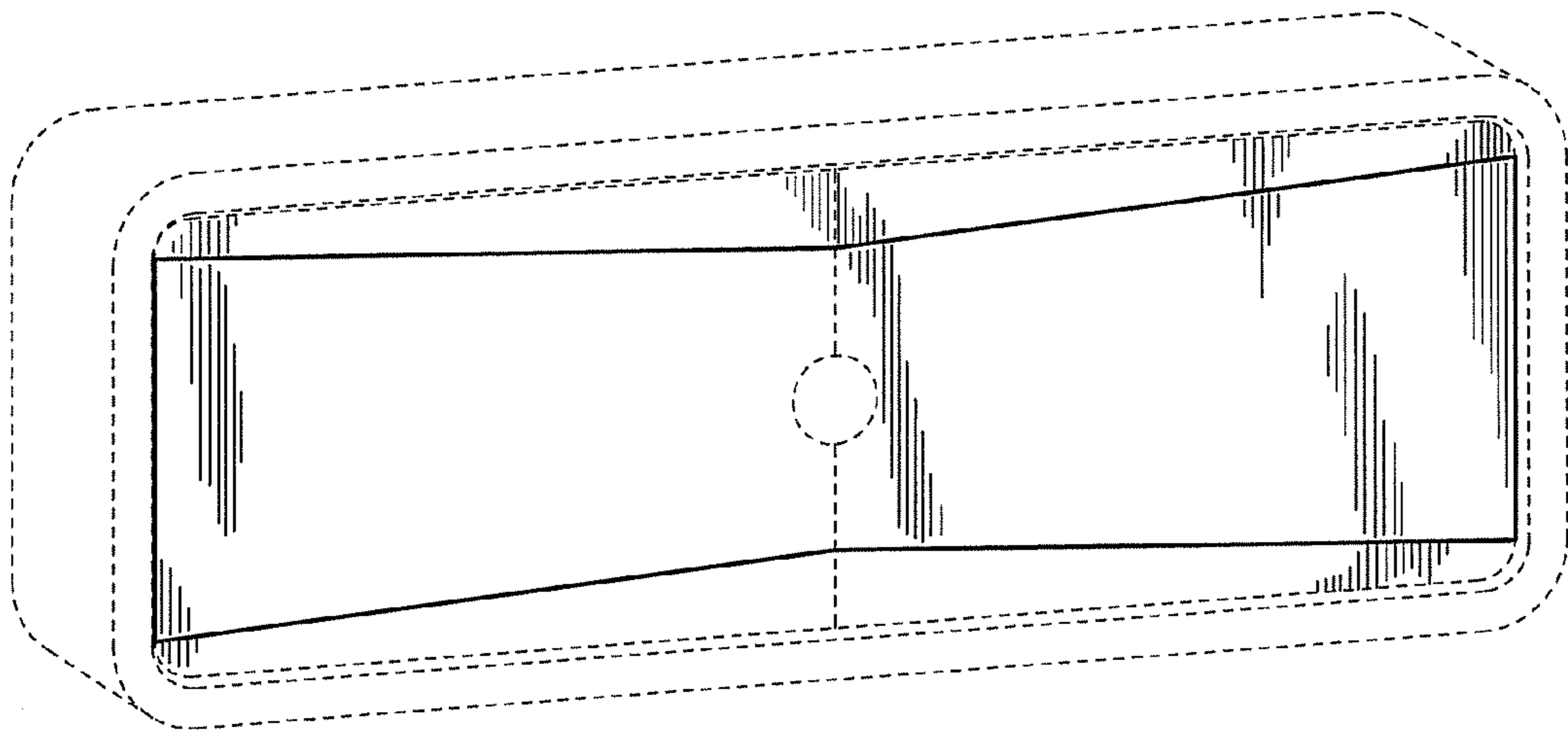


Fig. 1

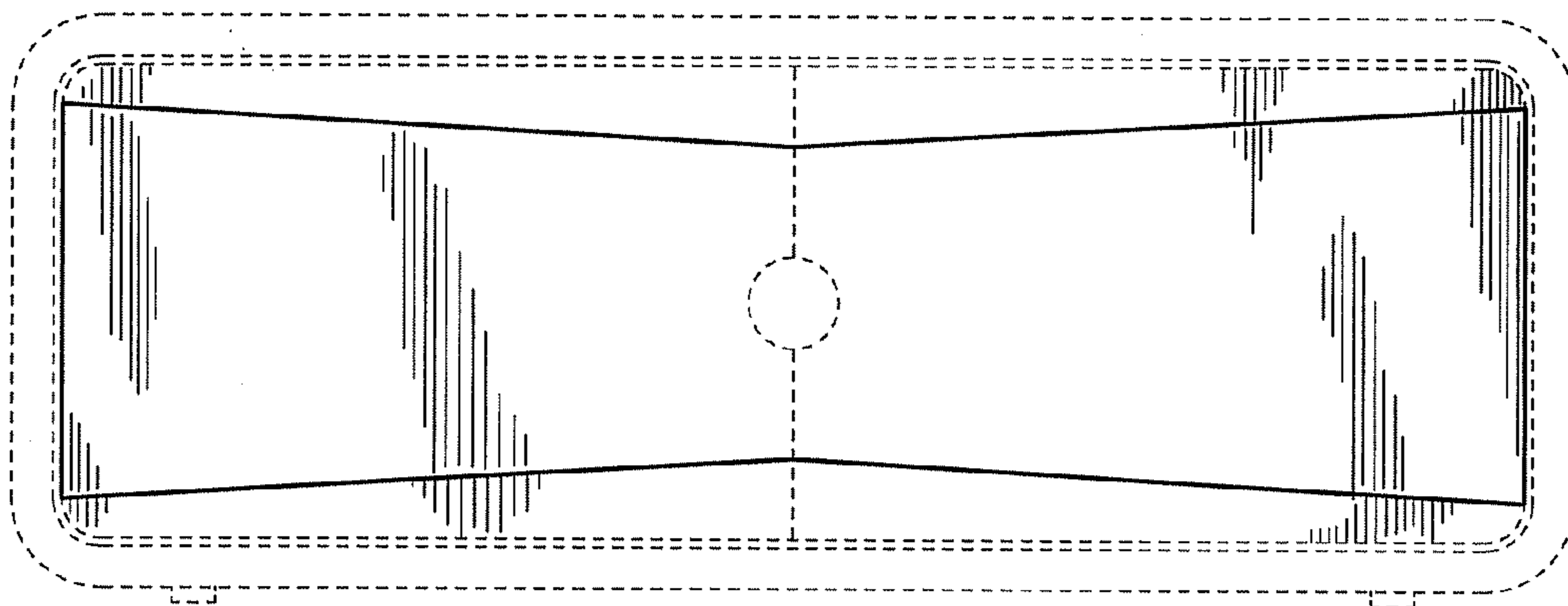


Fig. 2

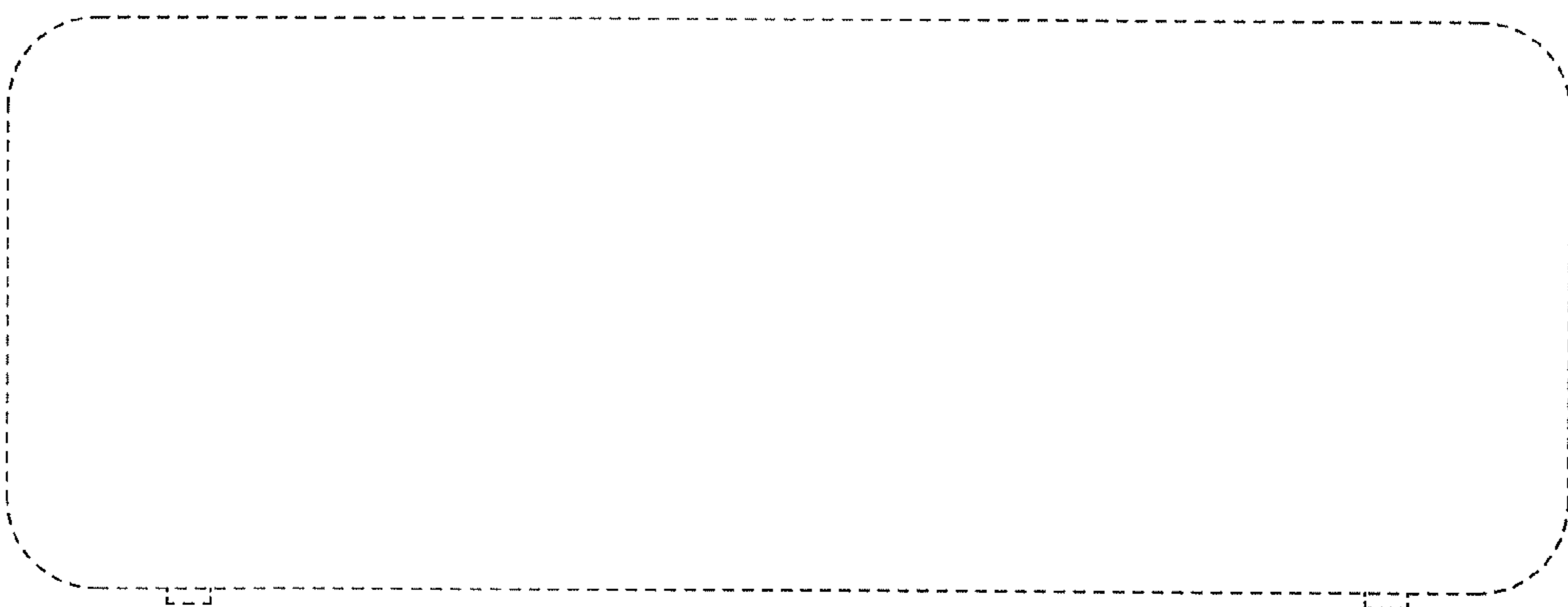


Fig. 3

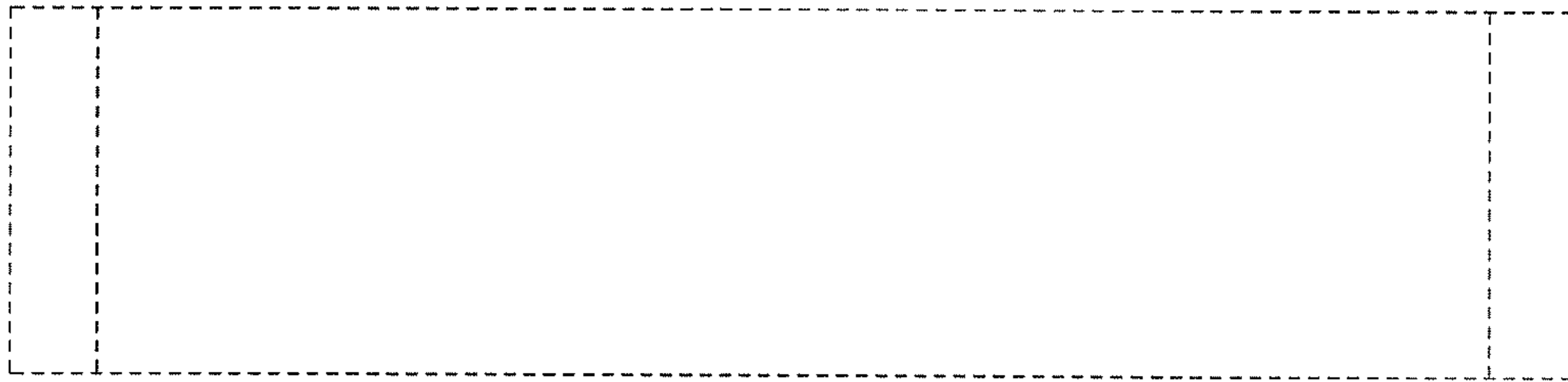


Fig. 4

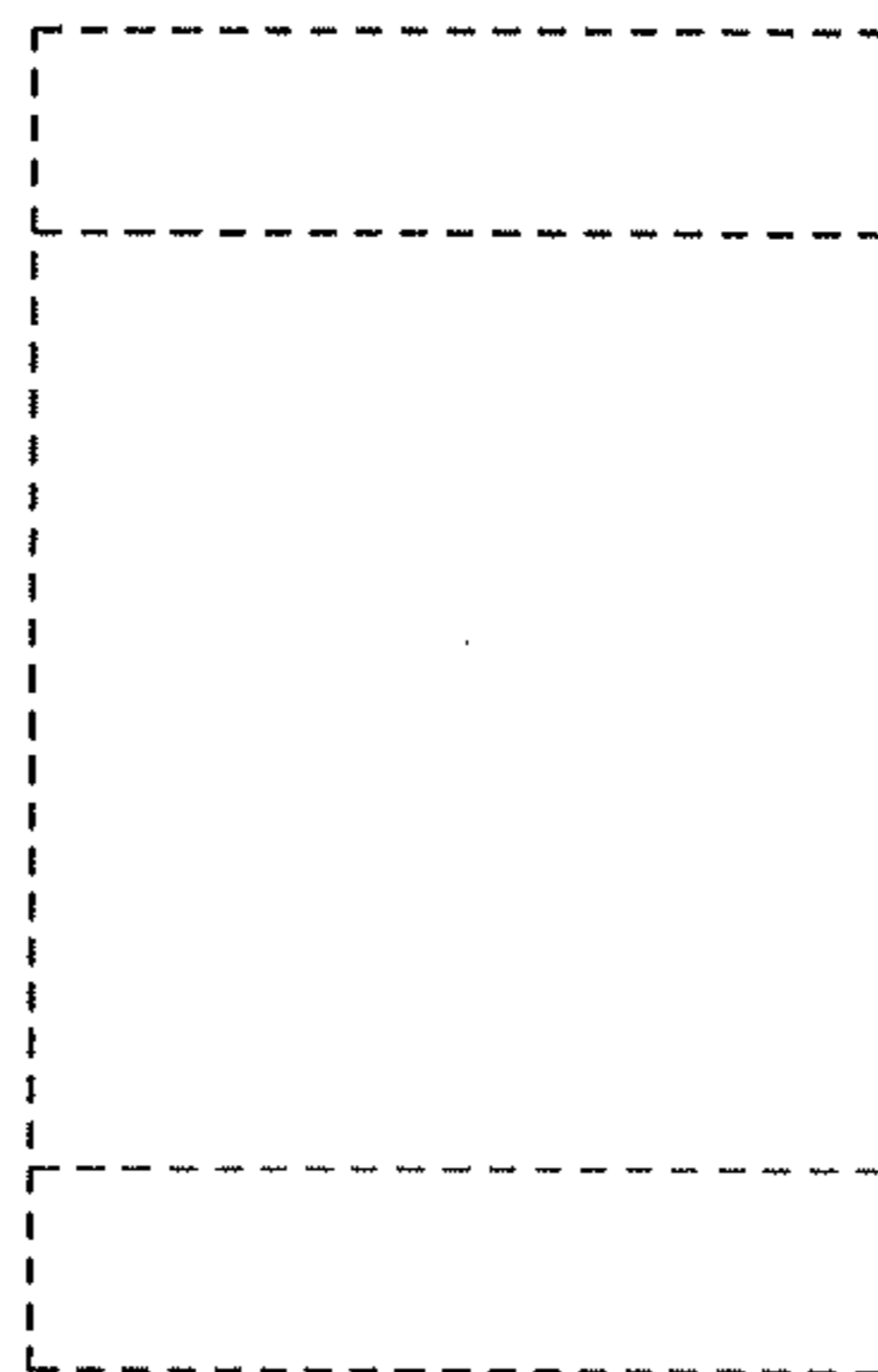


Fig. 5

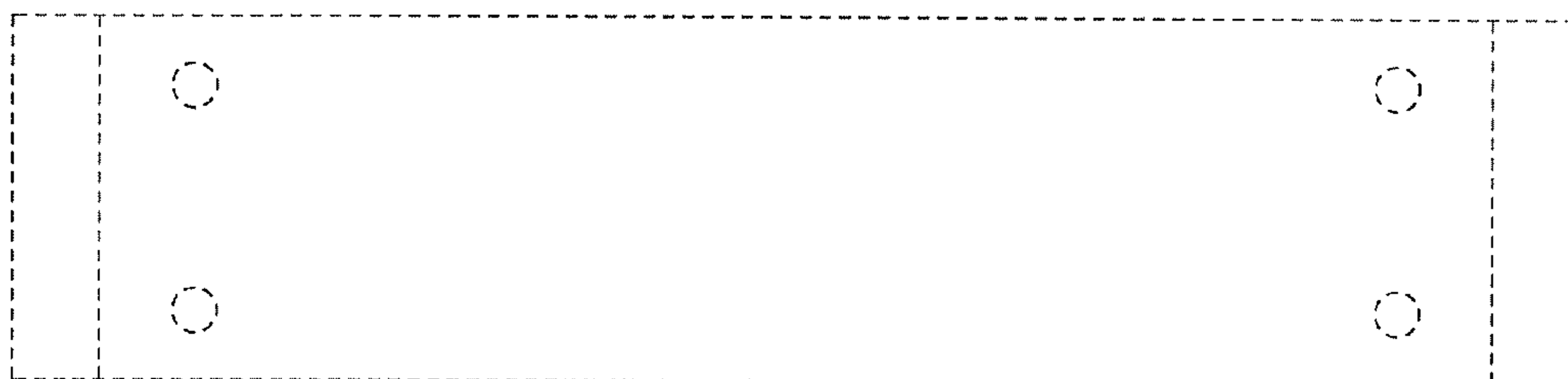


Fig. 6