



US00D554399S

(12) **United States Design Patent** (10) **Patent No.:** **US D554,399 S**
Kim (45) **Date of Patent:** **** Nov. 6, 2007**

(54) **SLOT FOR MULTIMEDIA FURNITURE**

(75) Inventor: **Hyung J. Kim**, Lynnwood, WA (US)

(73) Assignee: **Slam Brands, Inc.**, Redmond, WA (US)

(**) Term: **14 Years**

(21) Appl. No.: **29/247,508**

(22) Filed: **Jun. 22, 2006**

(51) **LOC (8) Cl.** **06-06**

(52) **U.S. Cl.** **D6/509**

(58) **Field of Classification Search** D6/462,
D6/466, 491–492, 494, 509, 518, 522, 408,
D6/561, 416–417, 438, 434, 432, 448; 221/45,
221/47, 48, 53

See application file for complete search history.

(56) **References Cited**

U.S. PATENT DOCUMENTS

4,155,484 A *	5/1979	Pastore	221/35
D257,773 S *	1/1981	Loper et al.	D14/128
D294,897 S *	3/1988	Wenkman	D6/448
D349,618 S *	8/1994	Barfield	D6/482
D454,495 S *	3/2002	Bryan et al.	D9/433
D496,271 S *	9/2004	Hoeltgen	D9/424
D506,364 S *	6/2005	Pratt	D7/701
D512,283 S *	12/2005	Pratt	D7/708
2003/0192903 A1 *	10/2003	Sauer et al.	221/48

* cited by examiner

Primary Examiner—Cathron C. Brooks

Assistant Examiner—Kelley A. Donnelly

(74) *Attorney, Agent, or Firm*—Amin, Turocy & Calvin, LLP; Thomas E. Watson

(57) **CLAIM**

An ornamental design for a slot for multimedia furniture, as shown.

DESCRIPTION

FIG. 1 is a perspective view of a slot design for multimedia furniture;

FIG. 2 is a front view of the slot design for the multimedia furniture shown in FIG. 1;

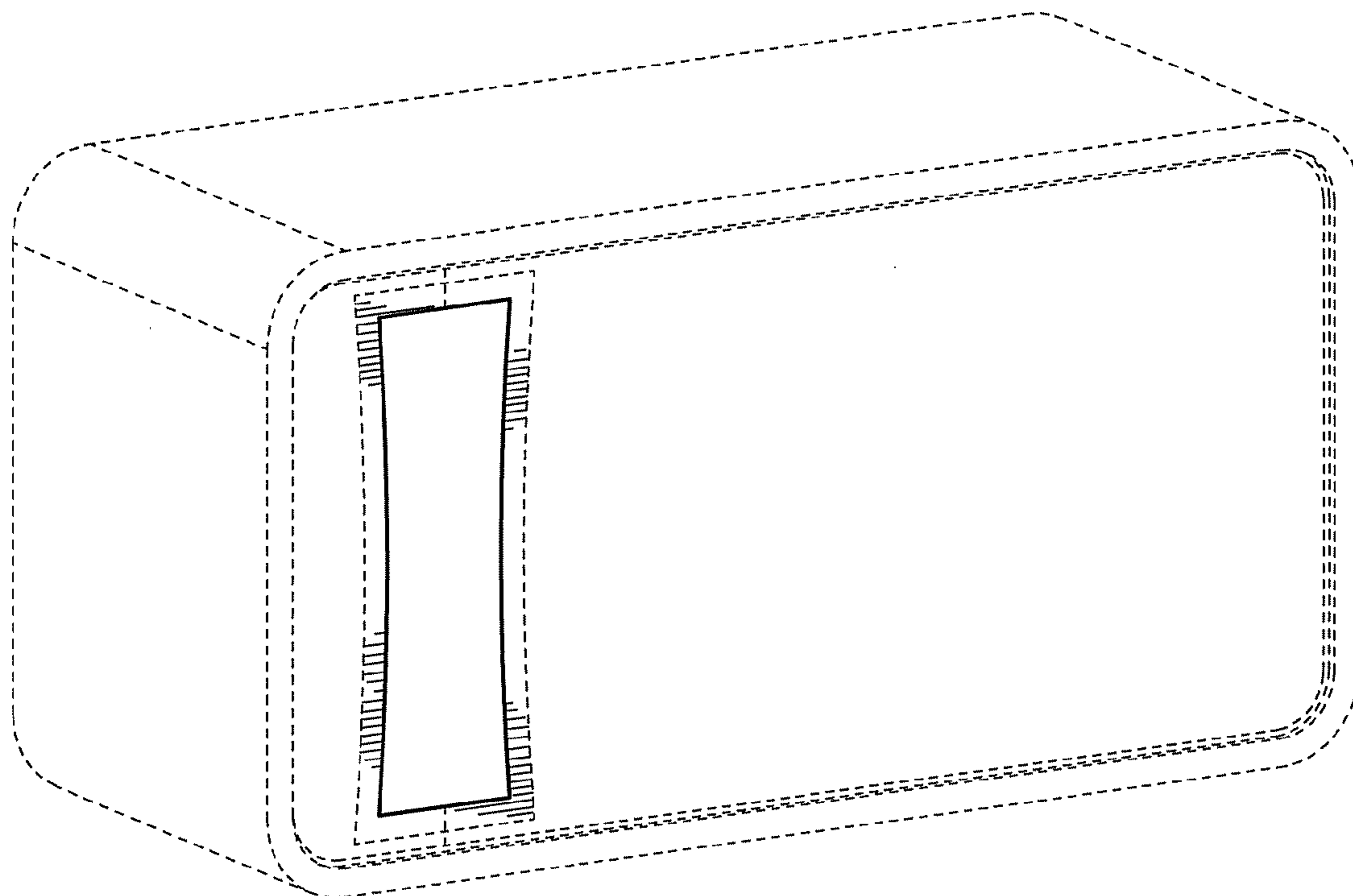
FIG. 3 is a back view of the slot design for the multimedia furniture shown in FIG. 1;

FIG. 4 is a top or bottom view of the slot design for the multimedia furniture shown in FIG. 1; and,

FIG. 5 is a side view of the slot design for the multimedia furniture shown in FIG. 1.

The dashed lines immediately adjacent the shaded areas represent the bounds of the claimed design and form no part thereof.

1 Claim, 3 Drawing Sheets



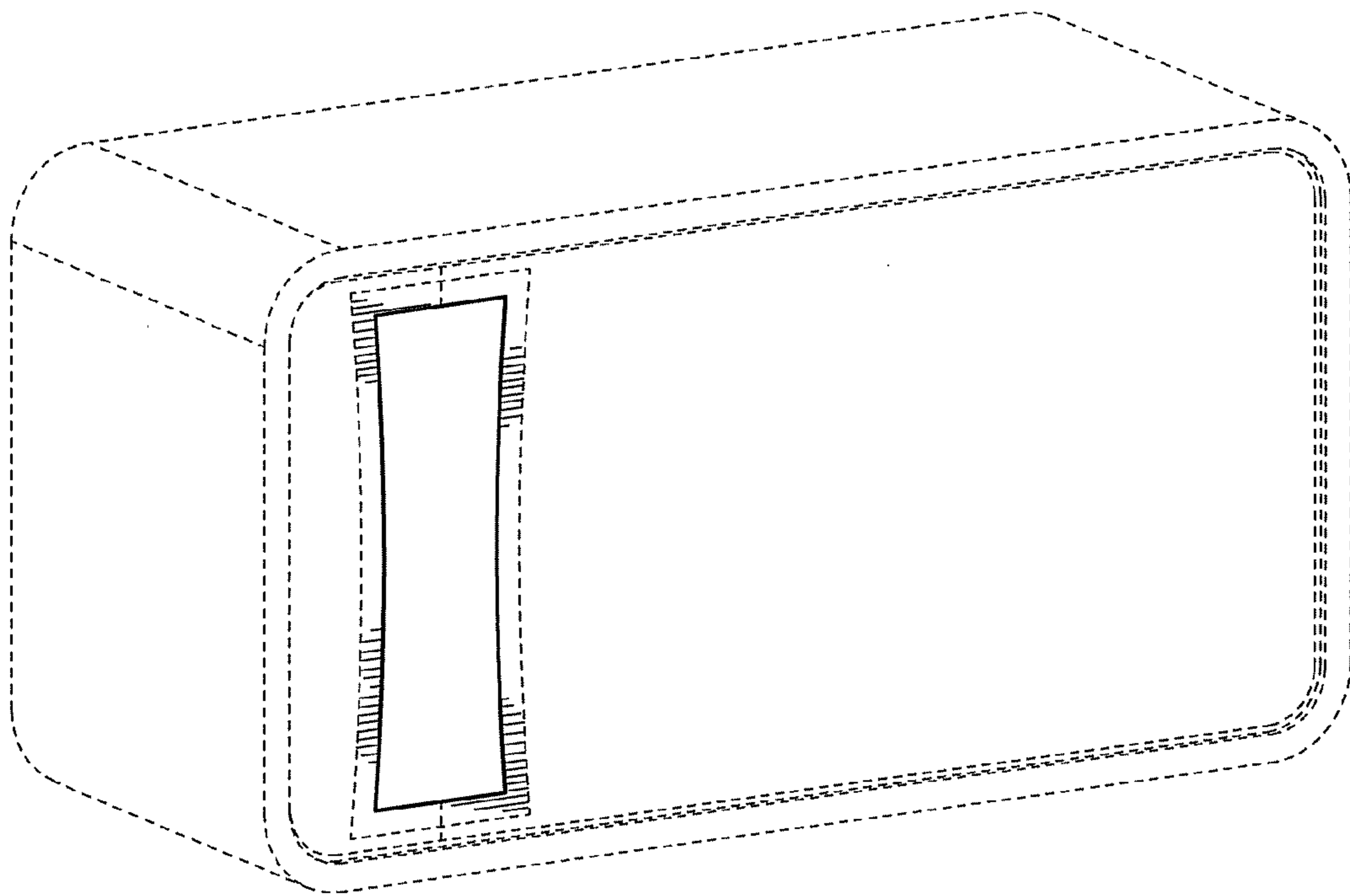


Fig. 1

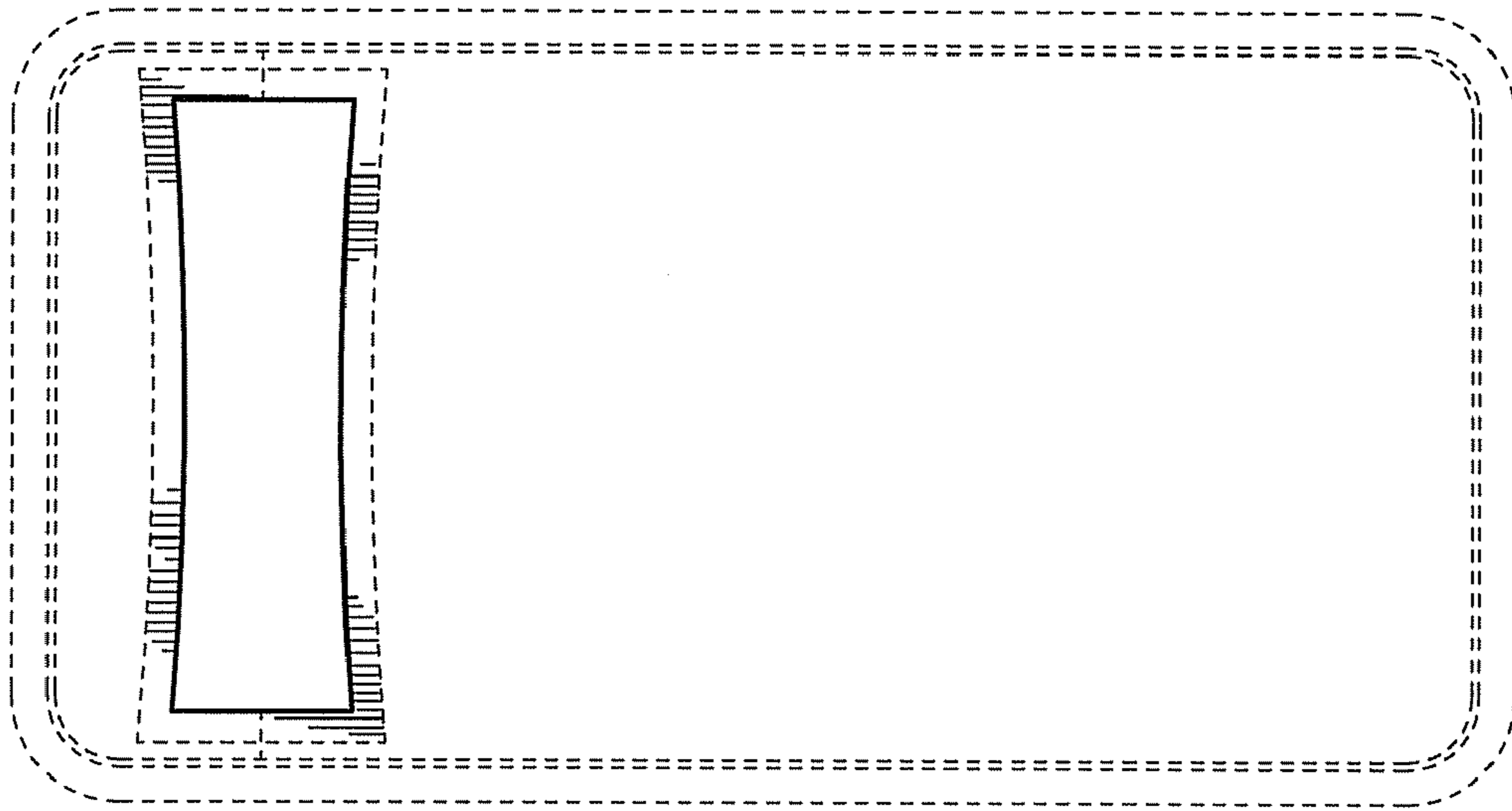


Fig. 2



Fig. 3

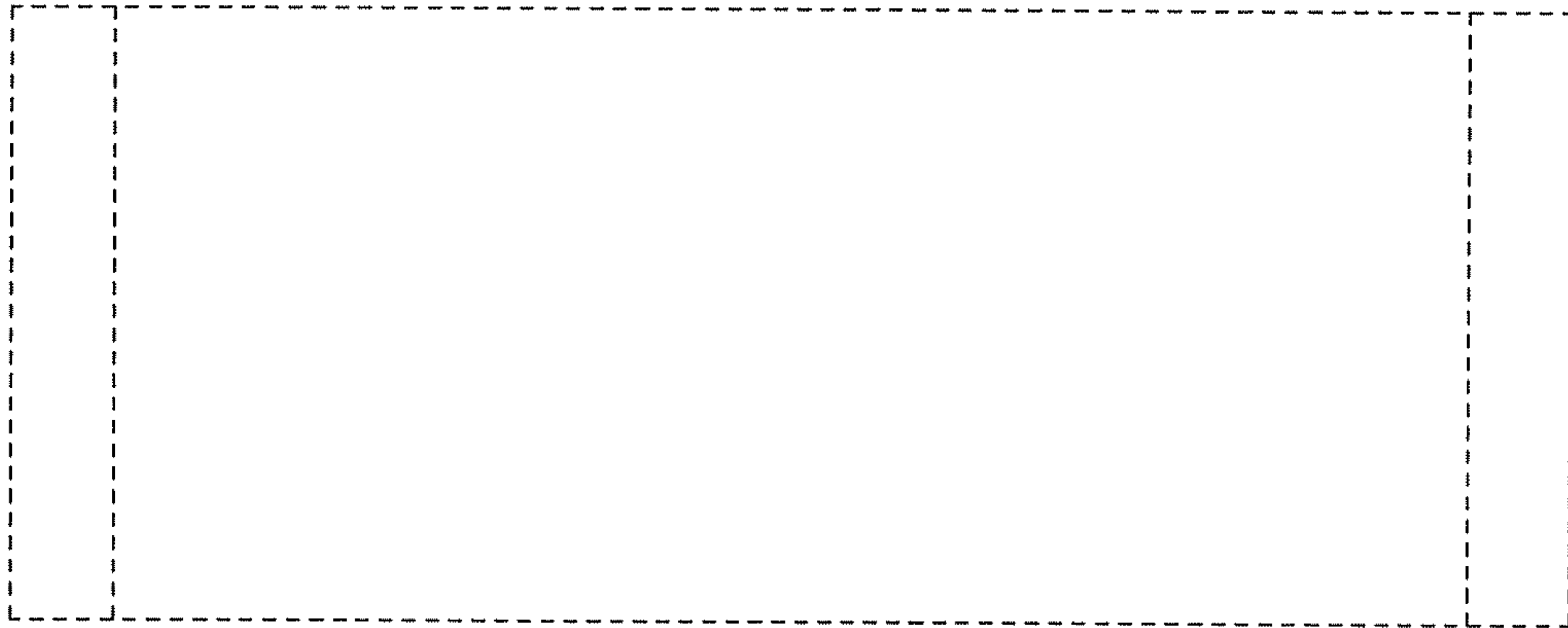


Fig. 4

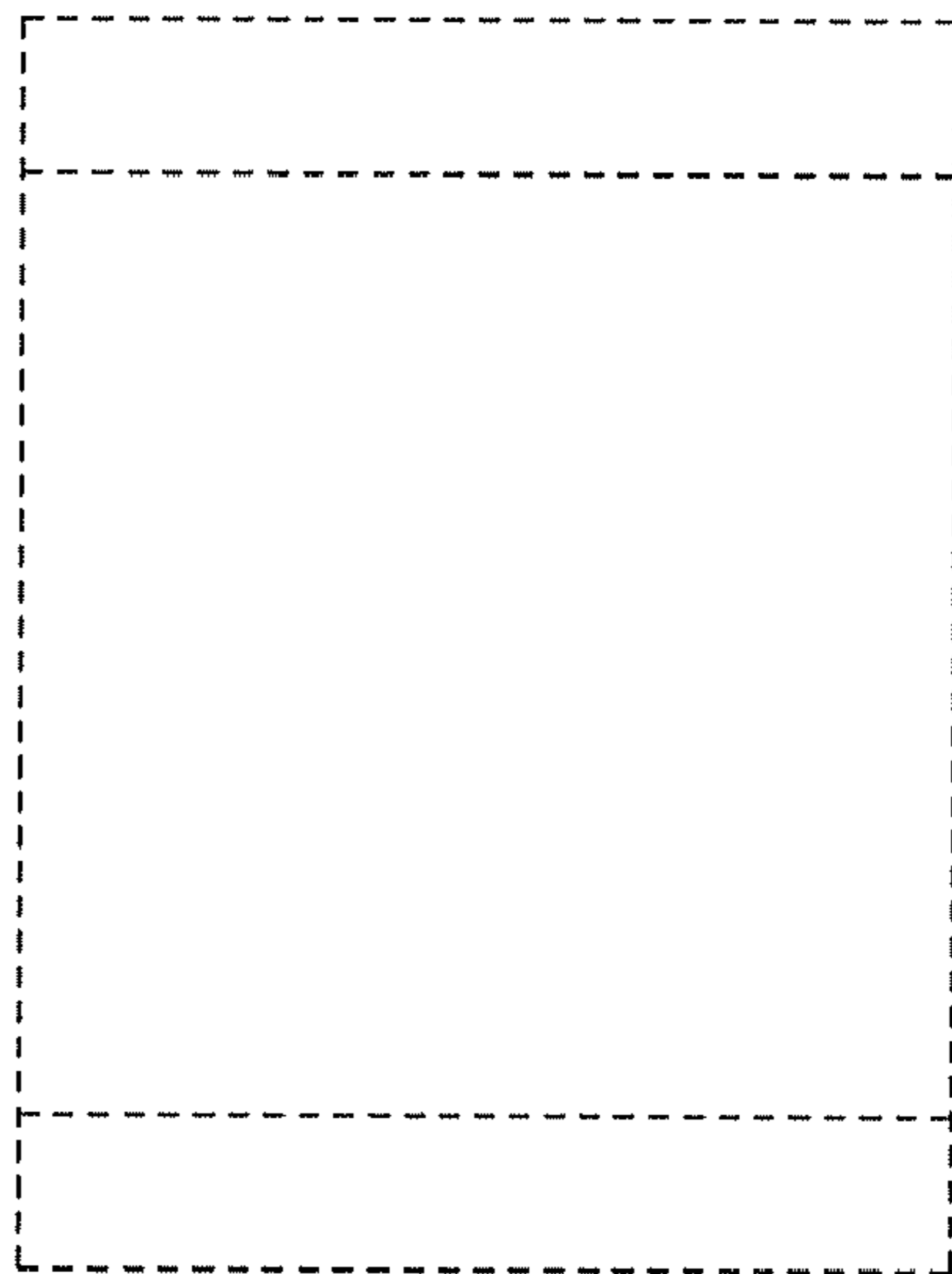


Fig. 5