



US00D554397S

(12) **United States Design Patent** (10) **Patent No.:** **US D554,397 S**  
**Franks et al.** (45) **Date of Patent:** **\*\* Nov. 6, 2007**

(54) **BENCH FRAME**

(75) Inventors: **Jay Franks**, Birmingham, AL (US);  
**Richard Van Osdol**, Silver Lake, IN  
(US); **Kent Weimer**, Columbia City, IN  
(US)

(73) Assignee: **Wabash Valley Mfg.**, Silver Lake, IN  
(US)

(\*\*) Term: **14 Years**

(21) Appl. No.: **29/204,618**

(22) Filed: **Apr. 30, 2004**

(51) **LOC (8) Cl.** ..... **06-06**

(52) **U.S. Cl.** ..... **D6/499; D6/349**

(58) **Field of Classification Search** ..... D6/349,  
D6/355, 334-335, 370, 374, 376, 379, 380-381,  
D6/500-502, 499

See application file for complete search history.

(56) **References Cited**

**U.S. PATENT DOCUMENTS**

D165,710 S	1/1952	Currie et al.	
D182,822 S	5/1958	Kempner, Jr.	
2,917,108 A	12/1959	Moritz	
D190,744 S	6/1961	Guice	
3,361,470 A *	1/1968	Erickson et al.	297/124
D222,806 S	1/1972	Wise	
D225,194 S *	11/1972	Ruth	D6/370
D228,162 S	8/1973	Fink	
3,758,152 A	9/1973	Lake	
D231,963 S	7/1974	May	
3,847,424 A	11/1974	Nielson	
D235,394 S *	6/1975	Ruth	D6/337
3,910,631 A	10/1975	Inaba	
4,023,859 A	5/1977	Hagenson	
D246,683 S *	12/1977	Cagle	D6/338
D277,442 S	2/1985	Crowell	
D277,722 S *	2/1985	Gusrud	D6/340
4,522,443 A	6/1985	Van Blankenburg	
D290,315 S *	6/1987	Swenson et al.	D6/337
D299,595 S *	1/1989	Shields	D6/335

D312,543 S *	12/1990	Shields	D6/492
D327,778 S	7/1992	Crawford	
D327,779 S	7/1992	Jensen et al.	
D331,332 S *	12/1992	Farmer	D6/418
D357,590 S	4/1995	Noll	
D360,536 S	7/1995	Pelletier	
5,452,936 A	9/1995	Koehring	
D435,736 S *	1/2001	Chrisco et al.	D6/336
D439,422 S *	3/2001	Hecht et al.	D6/336

**OTHER PUBLICATIONS**

2003 "Plastisol" Coated Furniture Catalog, Wabash Valley Manufacturing, Inc. pp. 130-133.  
Vinyl Coated Steel Recreational Furniture 1998 Catalog, Diversified Metal Fabricators, Inc.  
Superior Line Outdoor/Indoor Furniture 1996 Catalog, Fusion Coatings, Inc., p. 13.  
Specializing in Vinyl Coated Steel Recreational Furniture Catalog, Diversified Metal Fabricators, Inc. 12 Edition, Jan. 1996.  
Recreation Catalog, Ken Coat, Inc., Dec. 1, 1995.

\* cited by examiner

*Primary Examiner*—Janice E. Seeger  
*Assistant Examiner*—Zenia I. Bennett

(74) *Attorney, Agent, or Firm*—E. Victor Indiano; Indiano Vaughan LLP

(57) **CLAIM**

The ornamental design for a bench frame, as shown and described.

**DESCRIPTION**

FIG. 1 is a perspective view of a bench frame showing our new design;

FIG. 2 is a top view thereof;

FIG. 3 is a front view thereof;

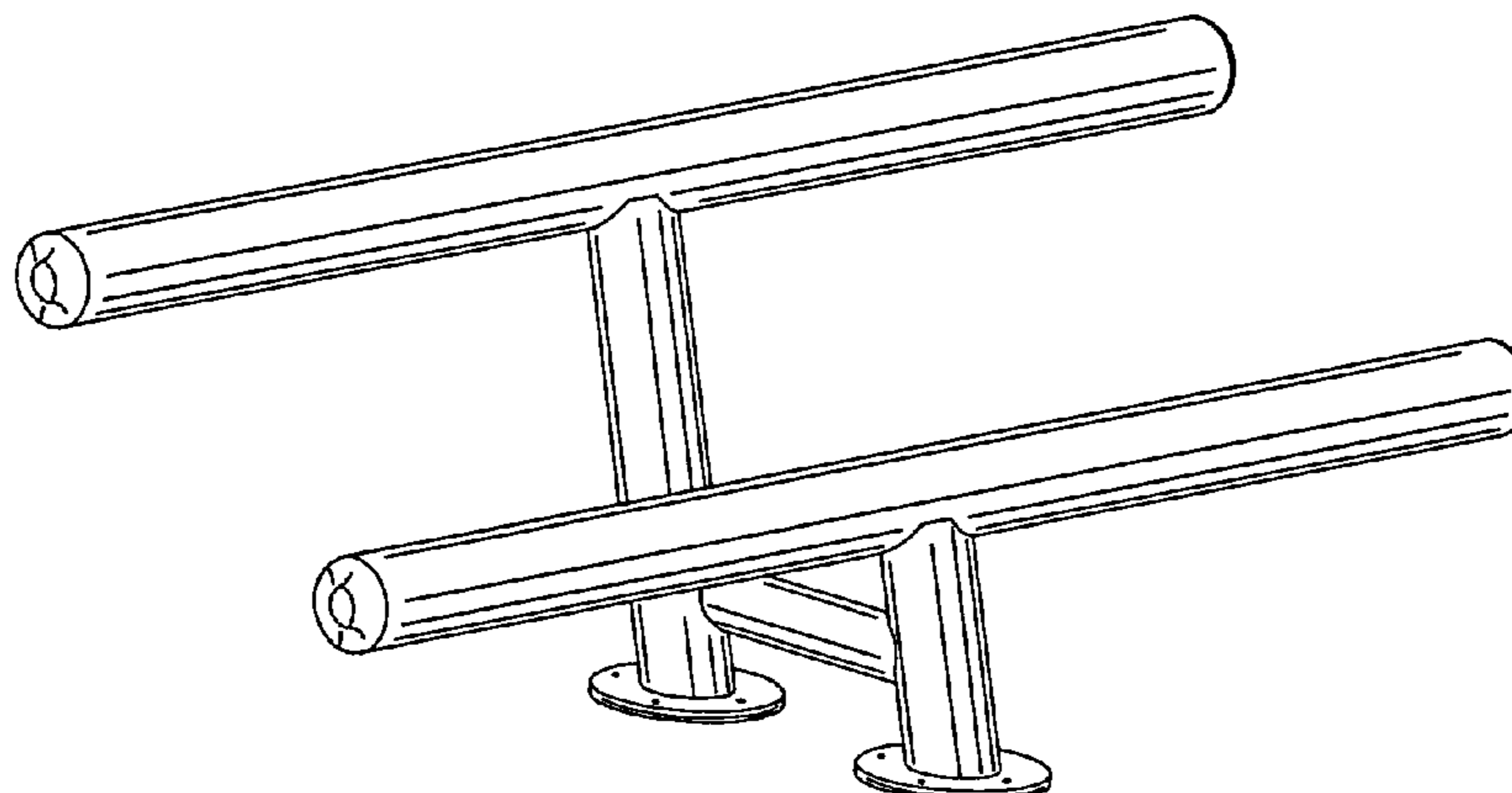
FIG. 4 is a bottom view thereof;

FIG. 5 is a right side view thereof;

FIG. 6 is a left view thereof; and,

FIG. 7 is a rear view thereof.

**1 Claim, 3 Drawing Sheets**



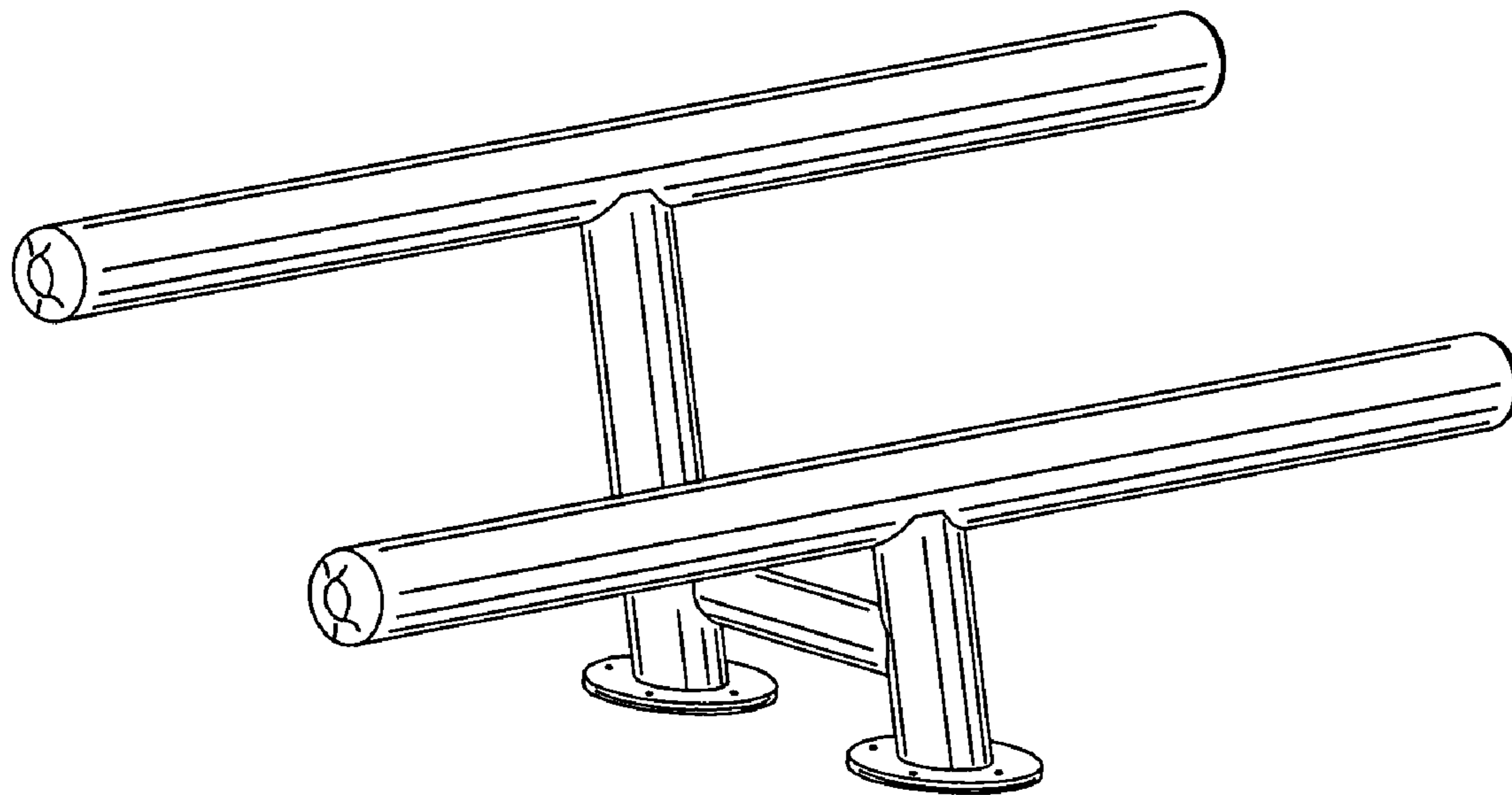


FIG. 1

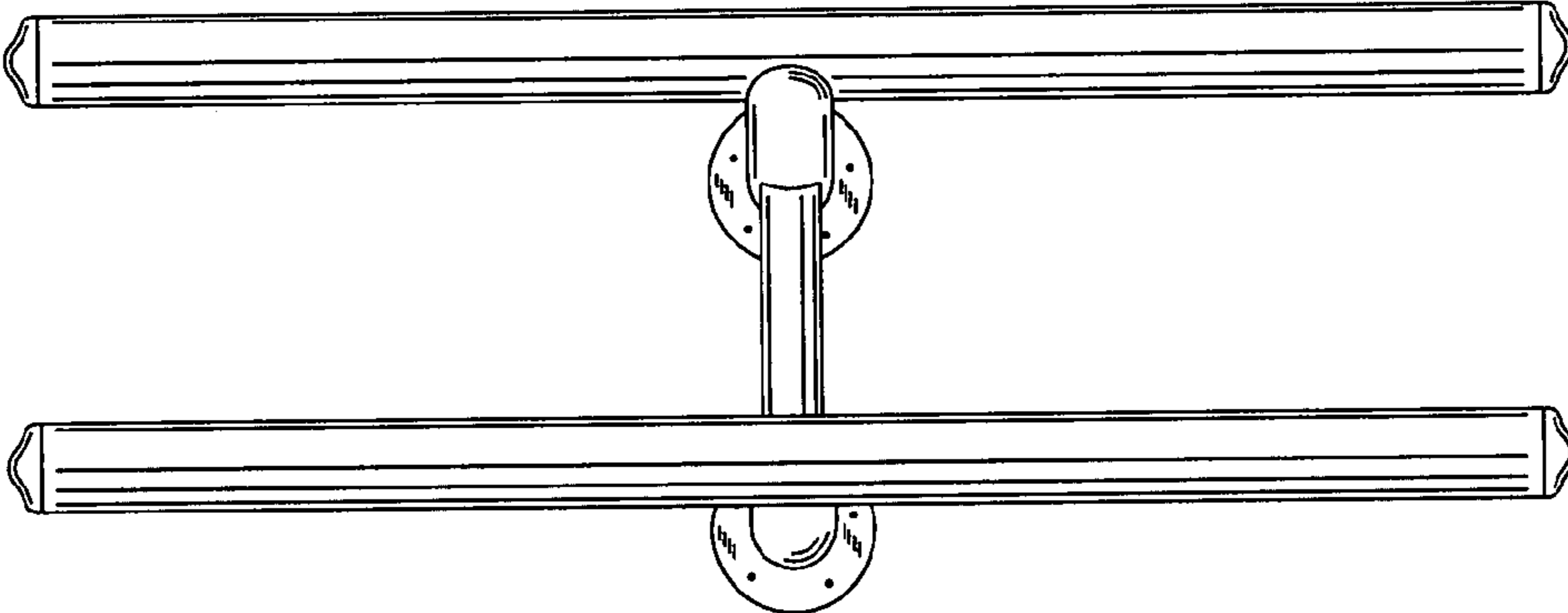


FIG. 2

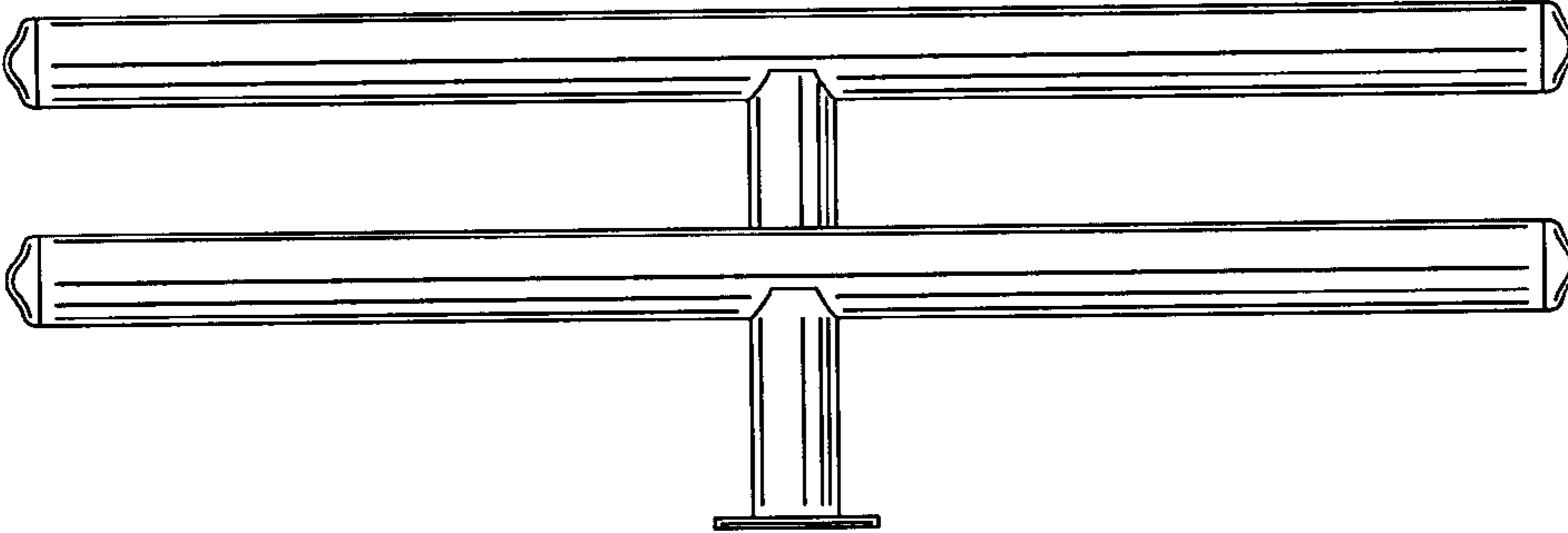


FIG. 3

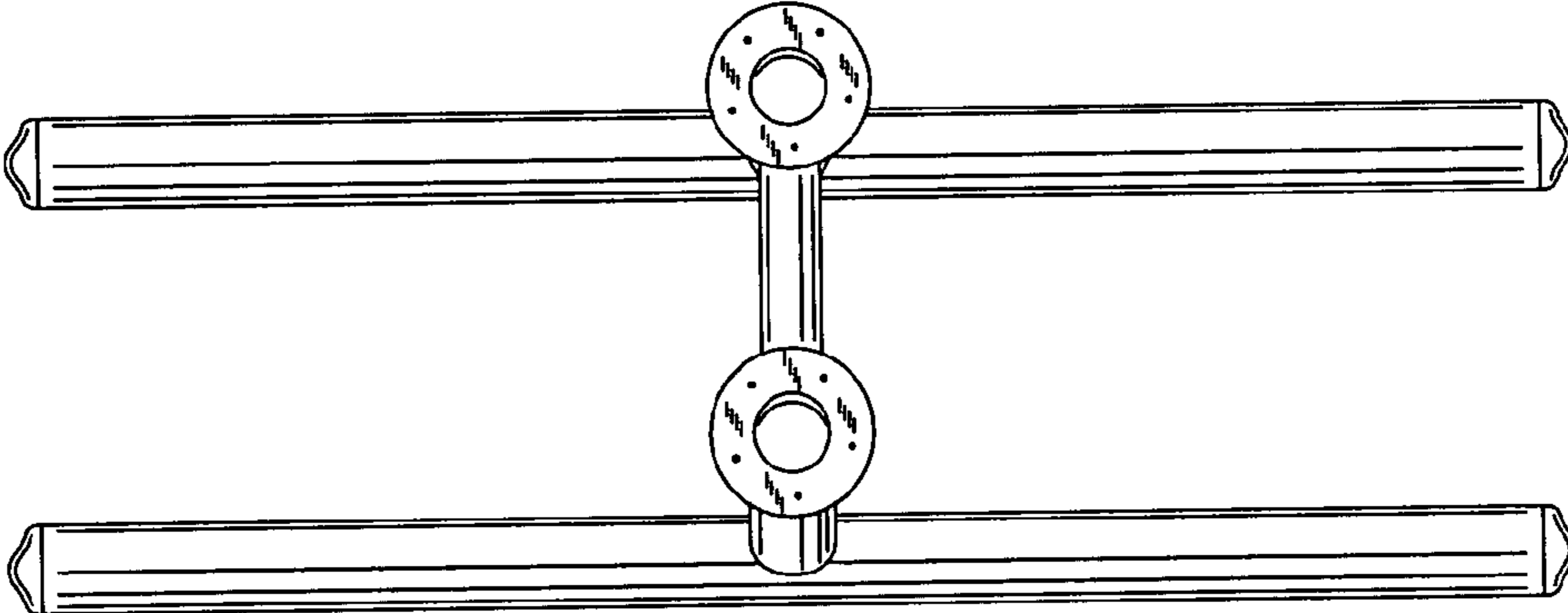


FIG. 4

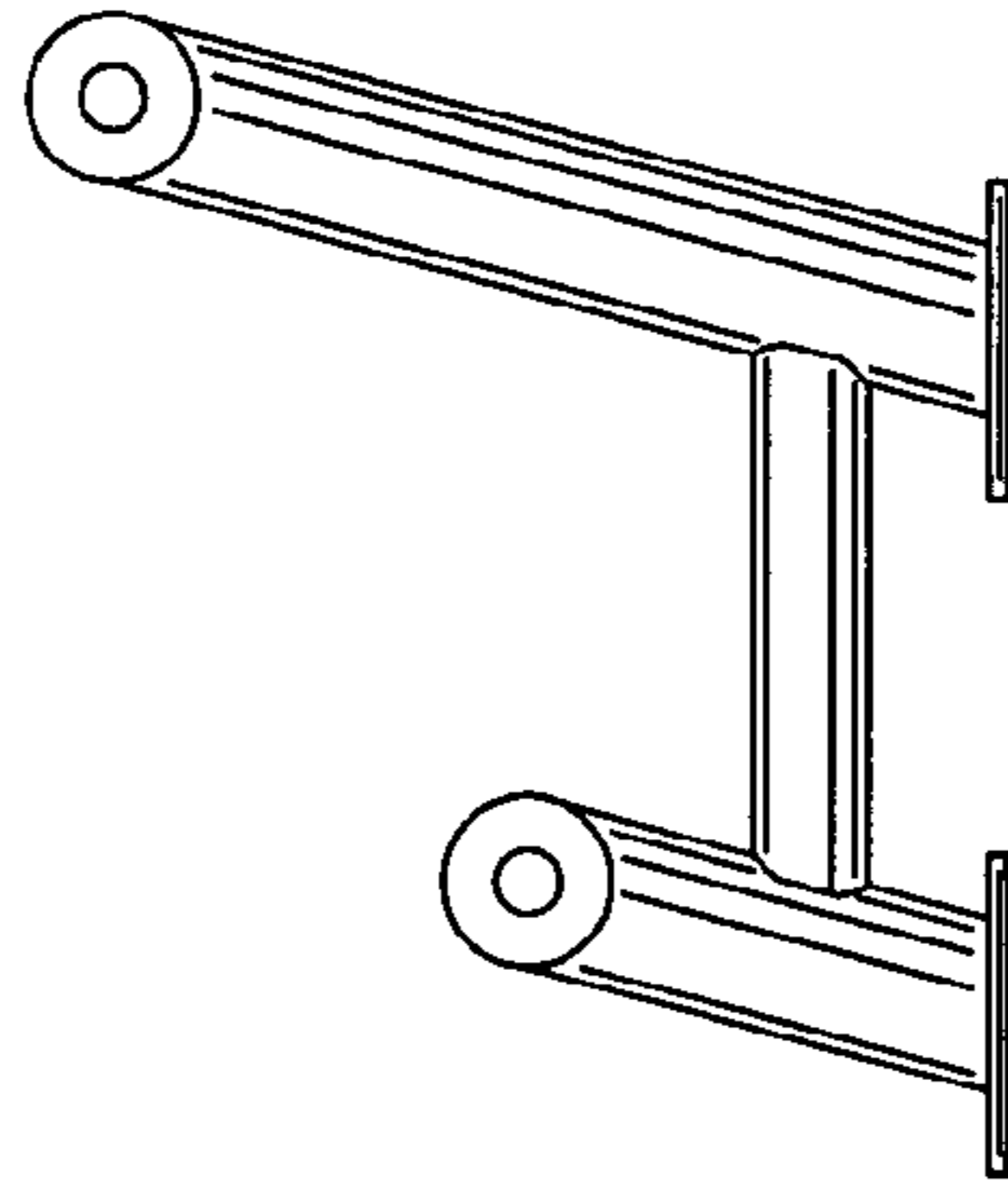


FIG. 6

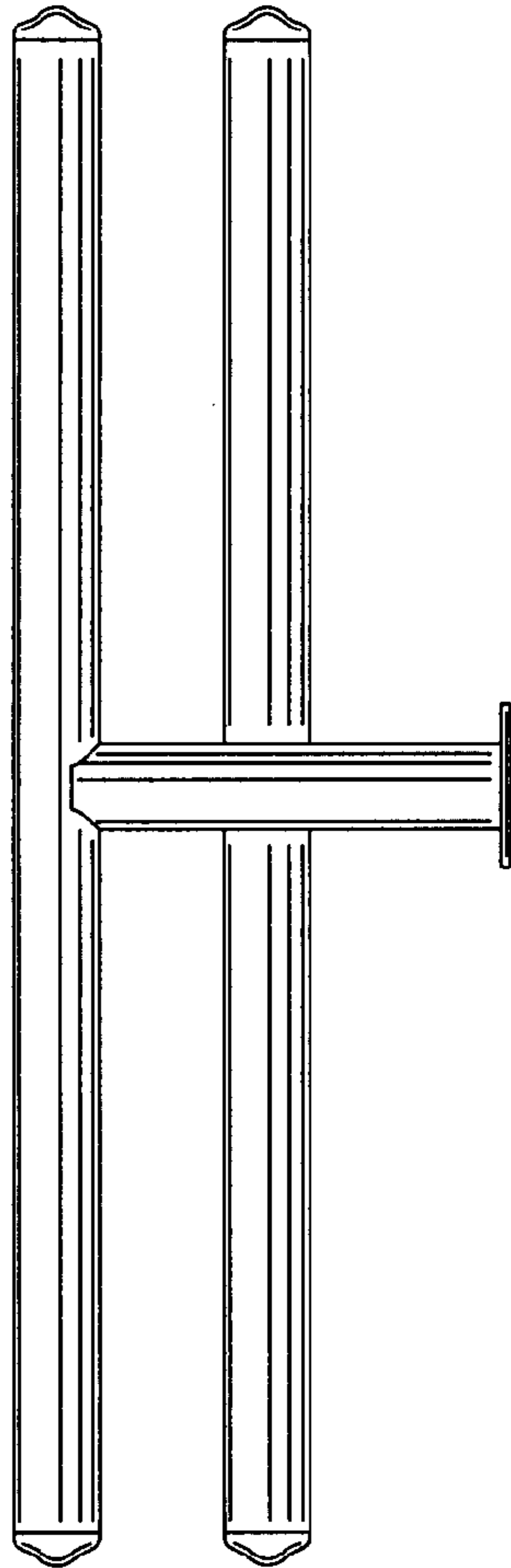


FIG. 7

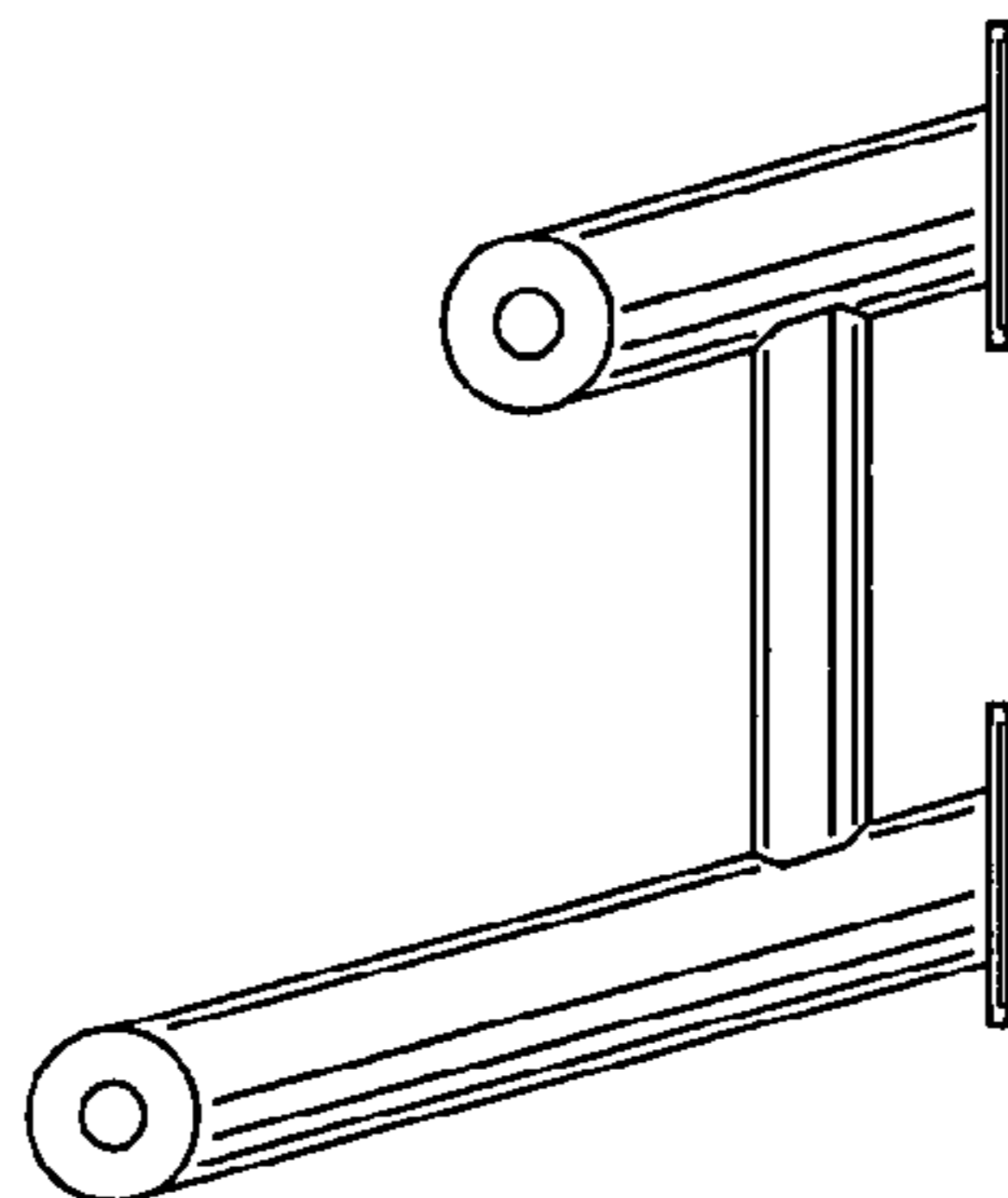


FIG. 5