

US00D554393S

(12) **United States Design Patent**
Yalif

(10) **Patent No.:** **US D554,393 S**

(45) **Date of Patent:** **** Nov. 6, 2007**

(54) **AUDIO VIDEO SHELVING UNIT**

(75) Inventor: **Jonathan Yalif**, Red Bank, NJ (US)

(73) Assignee: **Bell'O International Corp.**,
Morganville, NJ (US)

(**) Term: **14 Years**

(21) Appl. No.: **29/264,367**

(22) Filed: **Aug. 8, 2006**

(51) **LOC (8) Cl.** **06-04**

(52) **U.S. Cl.** **D6/470; D6/446**

(58) **Field of Classification Search** D6/436,
D6/444, 477-479, 470, 432, 441, 445-448;
312/114, 204, 224, 278-279

See application file for complete search history.

(56) **References Cited**

U.S. PATENT DOCUMENTS

D236,054 S	7/1975	Ginat	
D243,981 S *	4/1977	Carter	D6/446
D361,453 S	8/1995	Sussman	
D371,259 S	7/1996	Herbst	
D375,004 S	10/1996	Josefsson	
5,584,595 A	12/1996	Gantitano et al.	
D378,175 S	2/1997	Hamami	
D402,486 S	12/1998	Wada et al.	
D405,630 S	2/1999	Wohlford	
D441,217 S	5/2001	Pepin et al.	
D451,307 S	12/2001	Dong	
D467,099 S	12/2002	Antonioni	
D472,073 S	3/2003	de Carolis	
D472,074 S	3/2003	de Carolis	
D472,075 S	3/2003	de Carolis	
D477,159 S	7/2003	Niitsu	
D477,292 S	7/2003	Inoue et al.	

D477,474 S *	7/2003	Milligan	D6/446
D483,966 S	12/2003	Forlenza et al.	
D485,539 S	1/2004	Goto et al.	
D498,617 S	11/2004	Murphy	
D499,582 S *	12/2004	McDiarmid	D6/470
D506,329 S	6/2005	Sexton	
D516,840 S	3/2006	deCarolis	
D518,664 S	4/2006	Villalobos et al.	
D519,299 S *	4/2006	Boudreau	D6/436
D522,773 S *	6/2006	Becker	D6/470
D528,827 S *	9/2006	Becker	D6/470

OTHER PUBLICATIONS

IKEA Catalog 1997, p. 243, STUBB TV Unit.*
Bell'O 2005-2006 Product Catalog.

* cited by examiner

Primary Examiner—Cathron C. Brooks
Assistant Examiner—Kelley A. Donnelly
(74) *Attorney, Agent, or Firm*—Lerner, David, Littenberg,
Krumholz & Mentlik, LLP

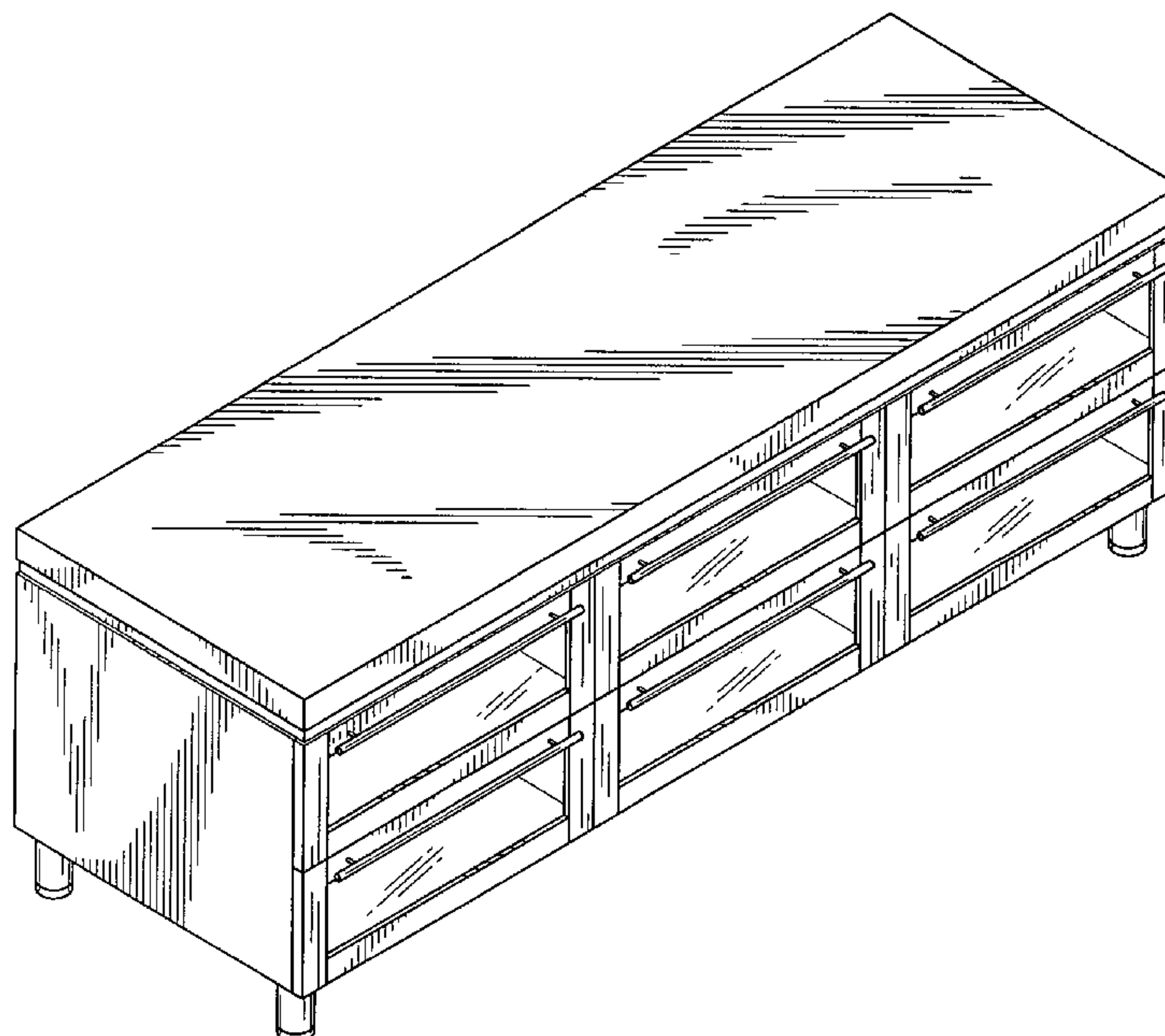
(57) **CLAIM**

The ornamental design for audio video shelving unit, as shown and described.

DESCRIPTION

FIG. 1 is a top perspective view of the audio video shelving unit;
FIG. 2 is a front plan view thereof;
FIG. 3 is a rear view thereof;
FIG. 4 right side view thereof (the left side being a mirror image of the right side view); and,
FIG. 5 is a top plan view thereof.

1 Claim, 5 Drawing Sheets



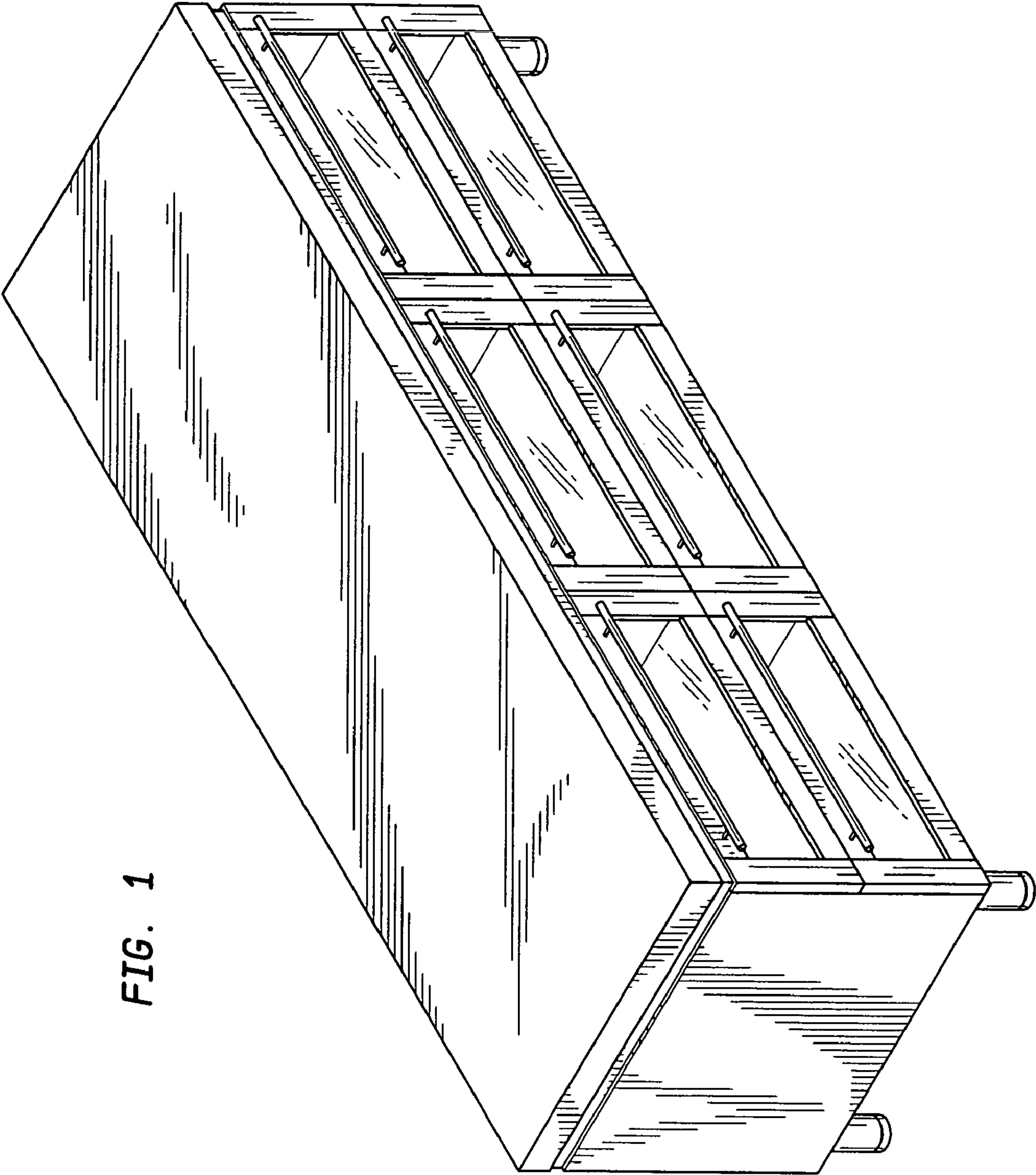


FIG. 1

FIG. 2

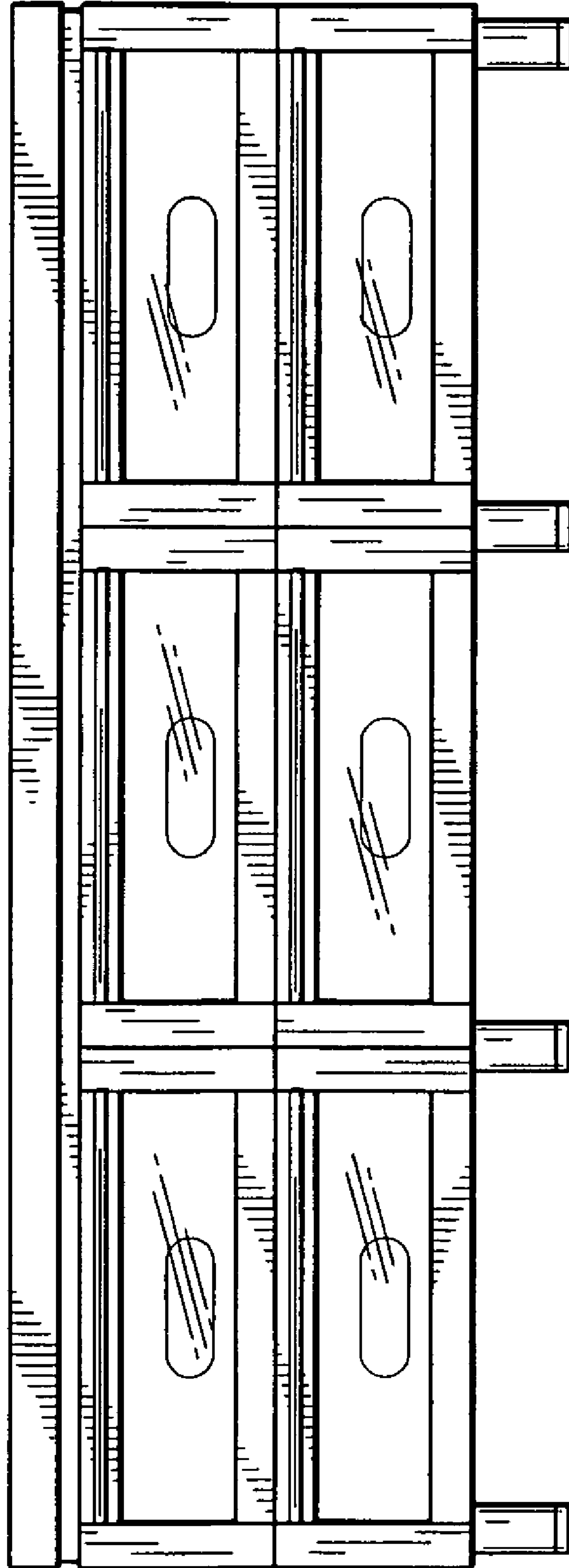


FIG. 3

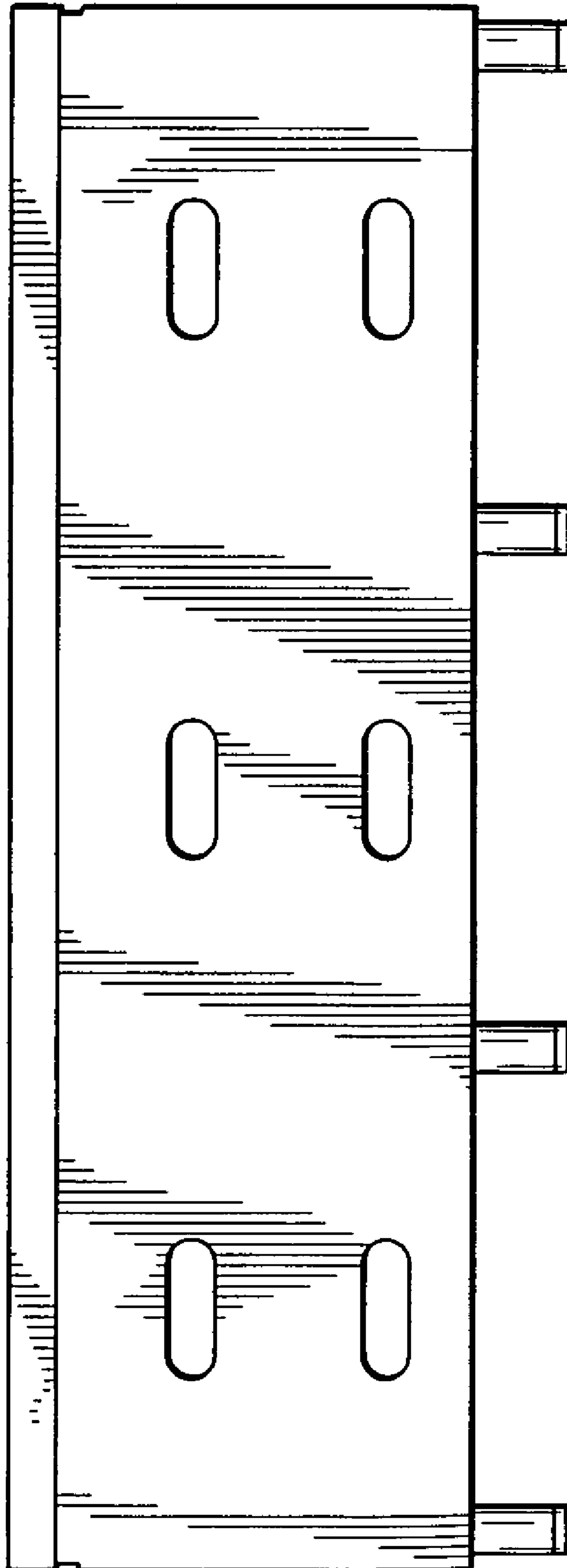


FIG. 4

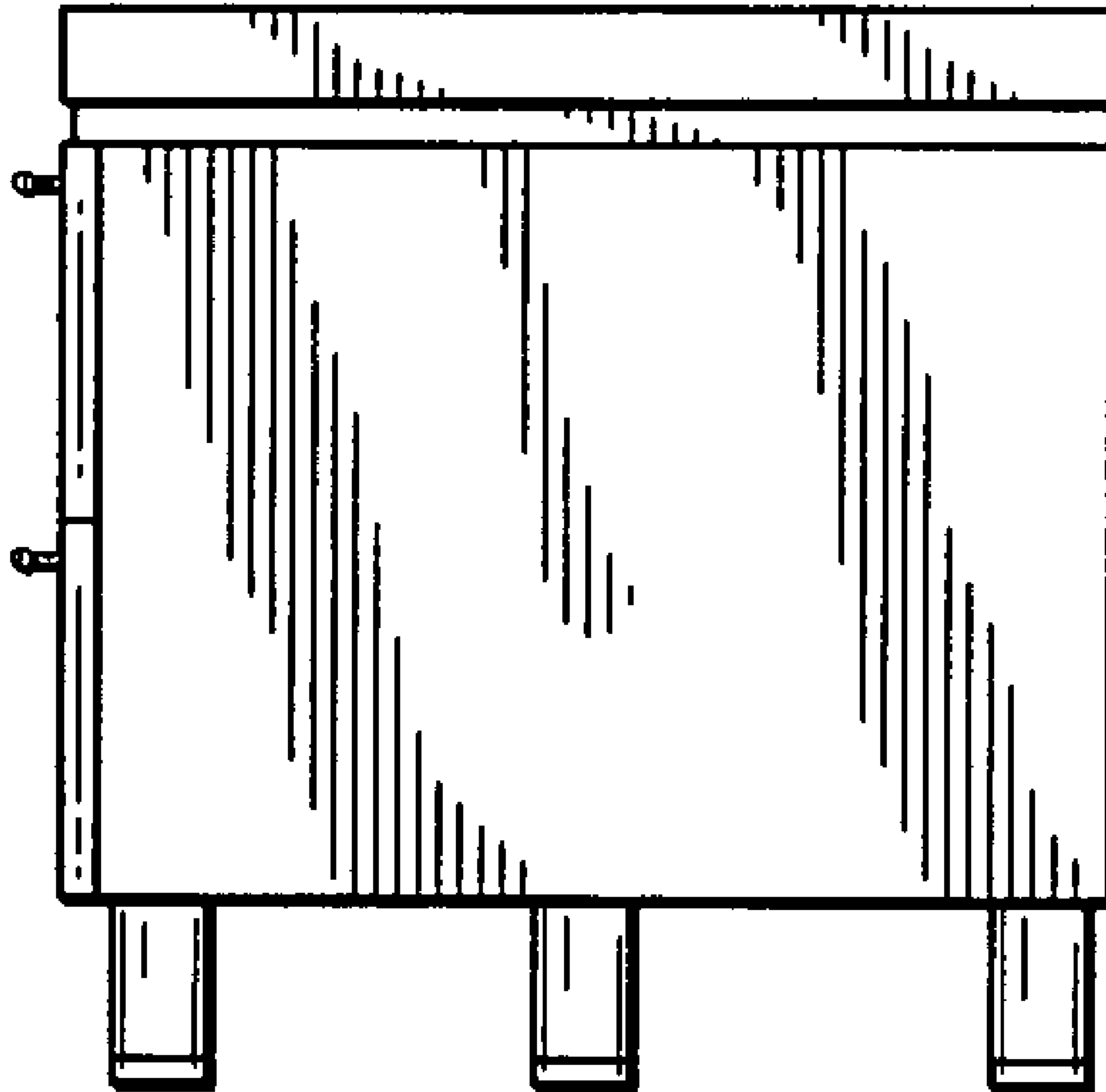


FIG. 5

