



US00D554385S

(12) **United States Design Patent** (10) **Patent No.:** **US D554,385 S**
Marshall et al. (45) **Date of Patent:** **** Nov. 6, 2007**

(54) **SEAT**

(75) Inventors: **Bryan Hugh Marshall, NSW (AU);**
Michelle Ann Lorimer, NSW (AU)

(73) Assignee: **Bang Design Pty Limited, Balmain**
(AU)

(**) Term: **14 Years**

(21) Appl. No.: **29/224,037**

(22) Filed: **Feb. 23, 2005**

(30) **Foreign Application Priority Data**

Aug. 23, 2004 (AU) 14027/2004

(51) **LOC (8) Cl.** **06-01**

(52) **U.S. Cl.** **D6/375**

(58) **Field of Classification Search** D6/375,
D6/336, 364-367, 379, 495, 500-502; 297/500,
297/284.4, 411.2, 411.27, 411.28, 411.36,
297/452.3, 452.29

See application file for complete search history.

(56) **References Cited**

U.S. PATENT DOCUMENTS

D169,485 S * 5/1953 Higgins D6/364
3,189,142 A * 6/1965 Carlson 49/7
D299,986 S * 2/1989 Doughty D6/344
D339,940 S * 10/1993 Balderi et al. D6/502
D351,301 S * 10/1994 Adamson D6/501
D424,333 S * 5/2000 Noll D6/500
D513,910 S * 1/2006 Gehry D6/500

OTHER PUBLICATIONS

“A-Line” by Lammults, website http://ftp.lammults.se/docs/brochures/a-line_moudlar.pdf 2 pages.

“A-Line” by Lammults, website https://www.lammults.se/products/a-line_modular/1.php 1 page.

“A-Line” by Lammults, website https://www.lammults.se/products/a-line_modular/2.php 1 page.

“A-Line” by Lammults, website https://www.lammults.se/products/a-line_modular/3.php 1 page.

“A-Line” by Lammults, website https://www.lammults.se/products/a-line_modular/4.php 1 page.

“A-Line” by Lammults, website https://www.lammults.se/products/a-line_modular/5.php 1 page.

“POP” by B&T Plus, website <http://www.bt-plus.com/docs/resimler/20.jpg> 1 page.

(Continued)

Primary Examiner—Robert M. Spear

Assistant Examiner—Katrina A Kile

(74) *Attorney, Agent, or Firm*—Dann, Dorfman, Herrell and Skillman, P.C.

(57) **CLAIM**

The ornamental design for a seat, as shown and described.

DESCRIPTION

FIG. 1 is a left perspective view of a seat showing our new design;

FIG. 2 is a top plan view thereof;

FIG. 3 is a front view thereof;

FIG. 4 is a left side view thereof, the right side being a mirror image;

FIG. 5 is a left perspective view of a second embodiment of a seat;

FIG. 6 is a top plan view thereof;

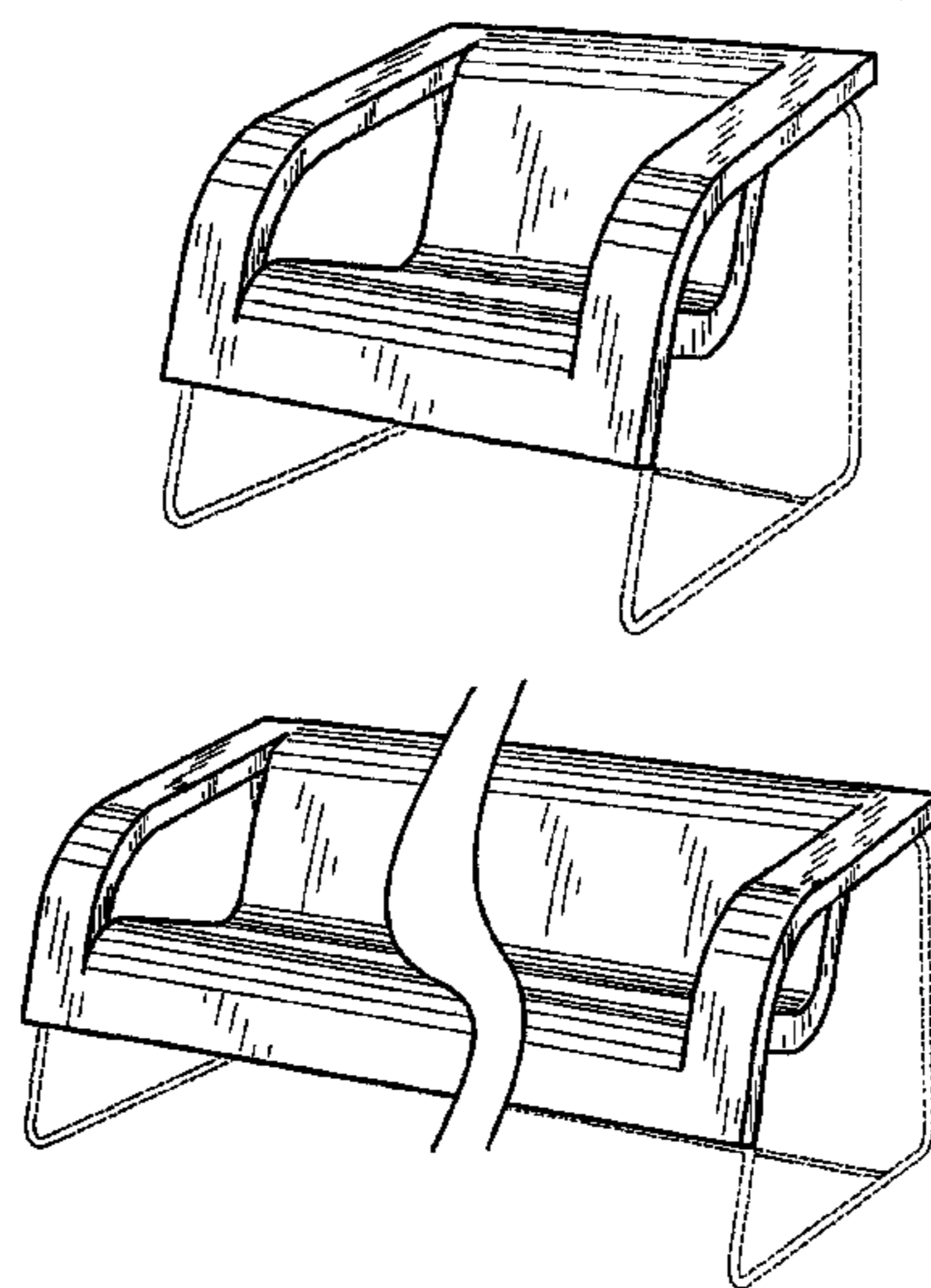
FIG. 7 is a front view thereof; and,

FIG. 8 is a left side view thereof, the right side being a mirror image.

In the drawings, the broken line showing of a seat depicts environmental subject matter and forms no part of the claim.

The break lines shown in FIGS. 5-7 indicate indeterminate length.

1 Claim, 2 Drawing Sheets



OTHER PUBLICATIONS

“Vera Lounge” by Korhonen, website <http://www.hkt-korhonen.fi/english/tuotteet/pdf/verachair.pdf> 1 page.

“Vera Lounge” by Korhonen, website <http://www.hkt-korhonen.fi/english/tuotteet/vera2/bigveras.gif> 1 page.

“Gubi Lounge” by Gubi, website http://www.gubi.dk/index_subpage.asp?subpageIDX=84&mainpageIDX=90 2 pages.

“ReLounge” by Dietiker, website http://www.dietiker-switzerland.ch/archive/jpg/hi_relounge.jpg 1 page.

“Soft SIM Low” by Vitra, website http://www.vitra.com/products/vitra_at_home/default.asp?lang=il_en 1 page.

“Memo” by Nube, website http://www.nubeitalia.com/upload/000000200/memo_dettaglio.jpg 1 page.

“Memo” by Nube, website <http://www.nubeitalis.com/upload/000000196/memo.pdf> 1 page.

“Haga” by MOS, website <http://www.mositalia.com/catalogo/linea.php?pro=haga&lin=en> 3 pages.

* cited by examiner

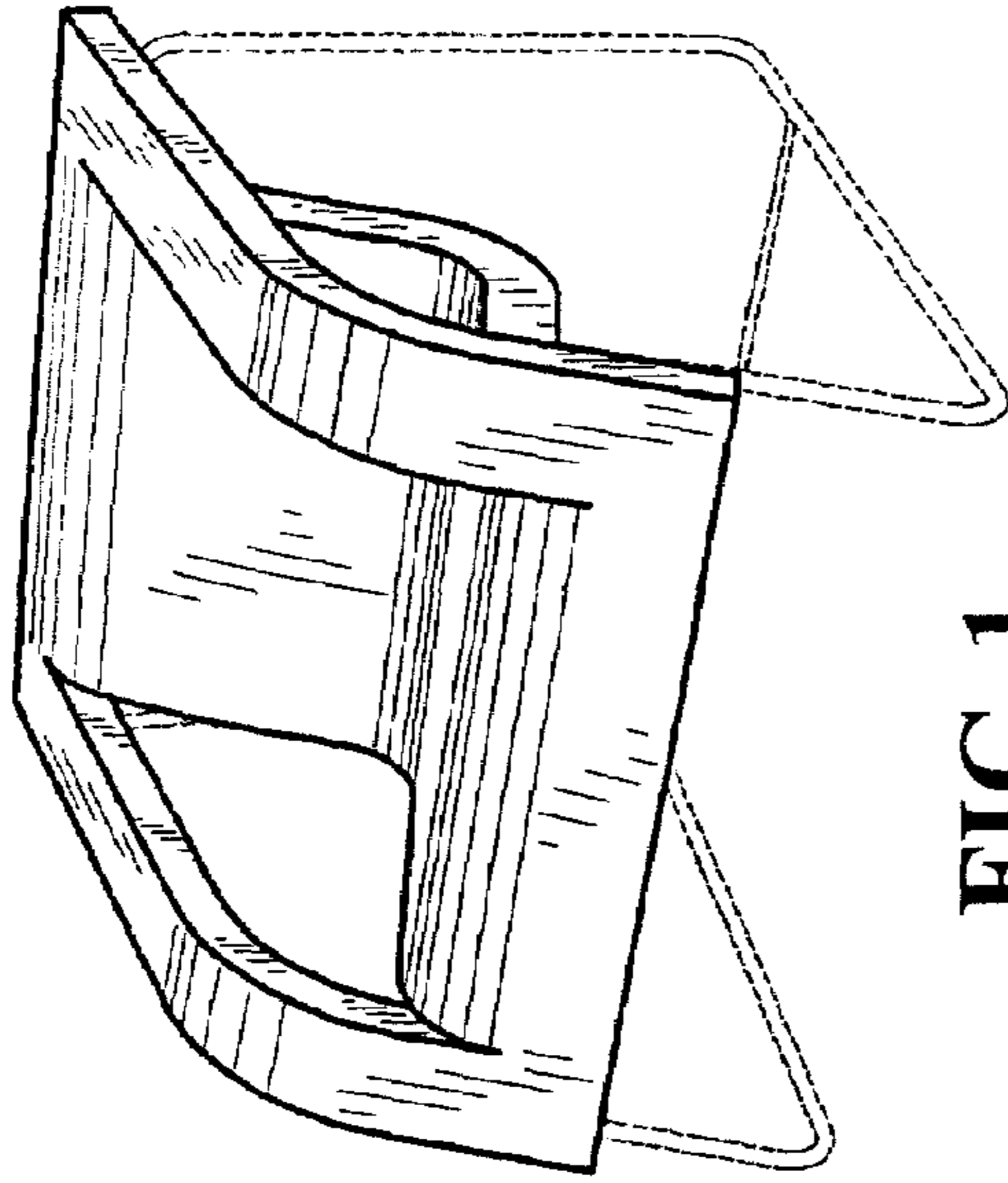


FIG. 1

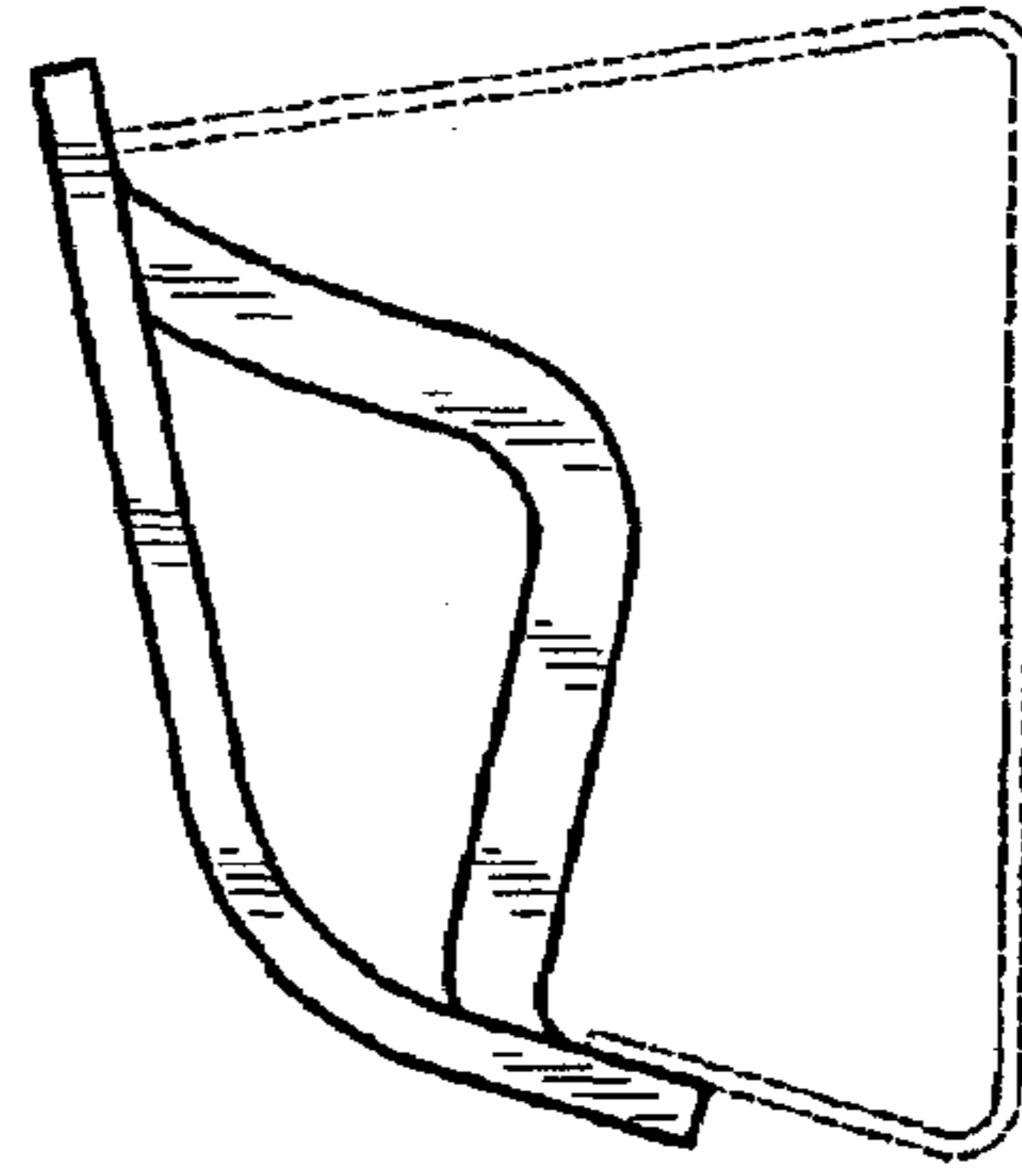


FIG. 4

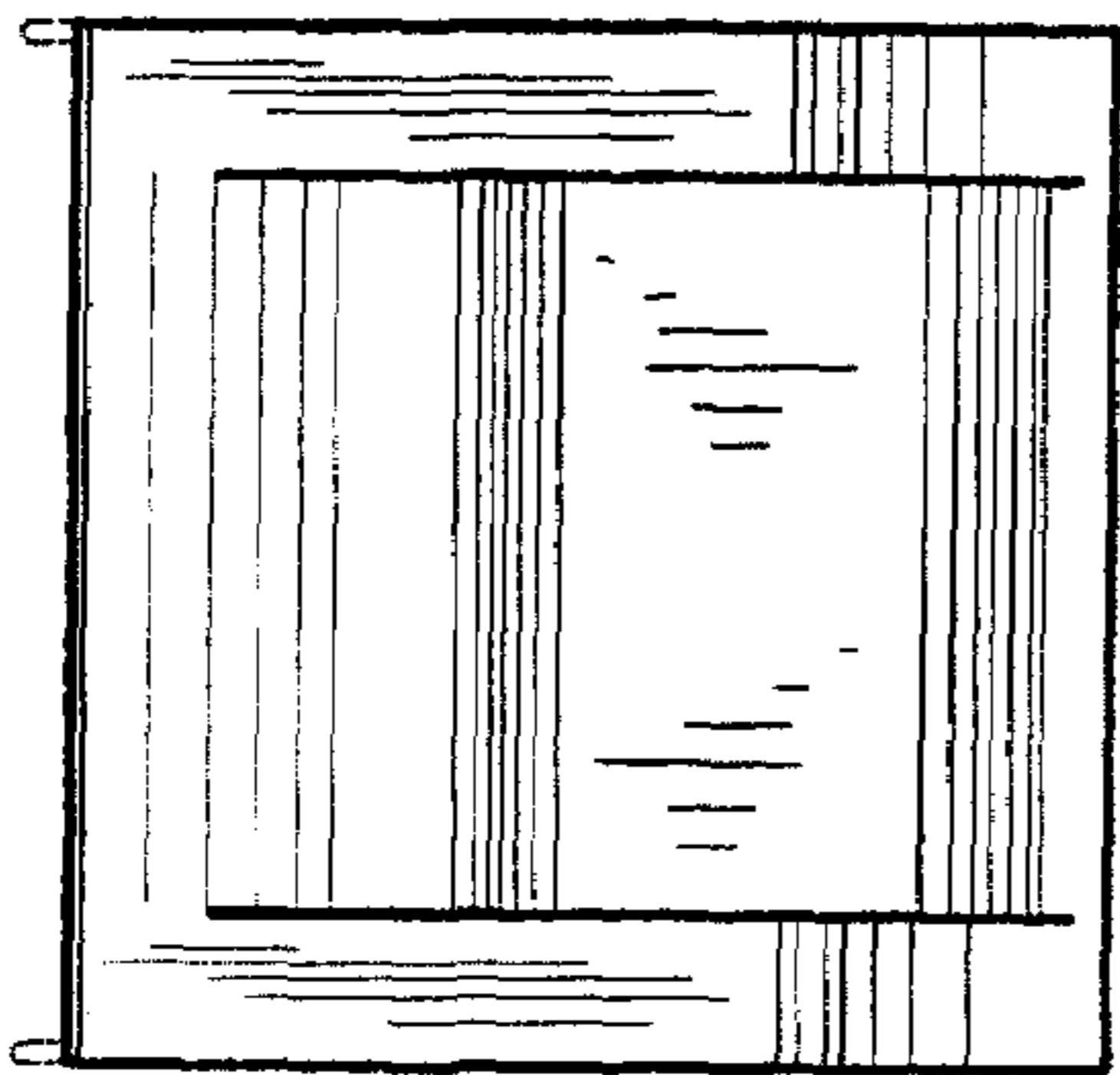


FIG. 2

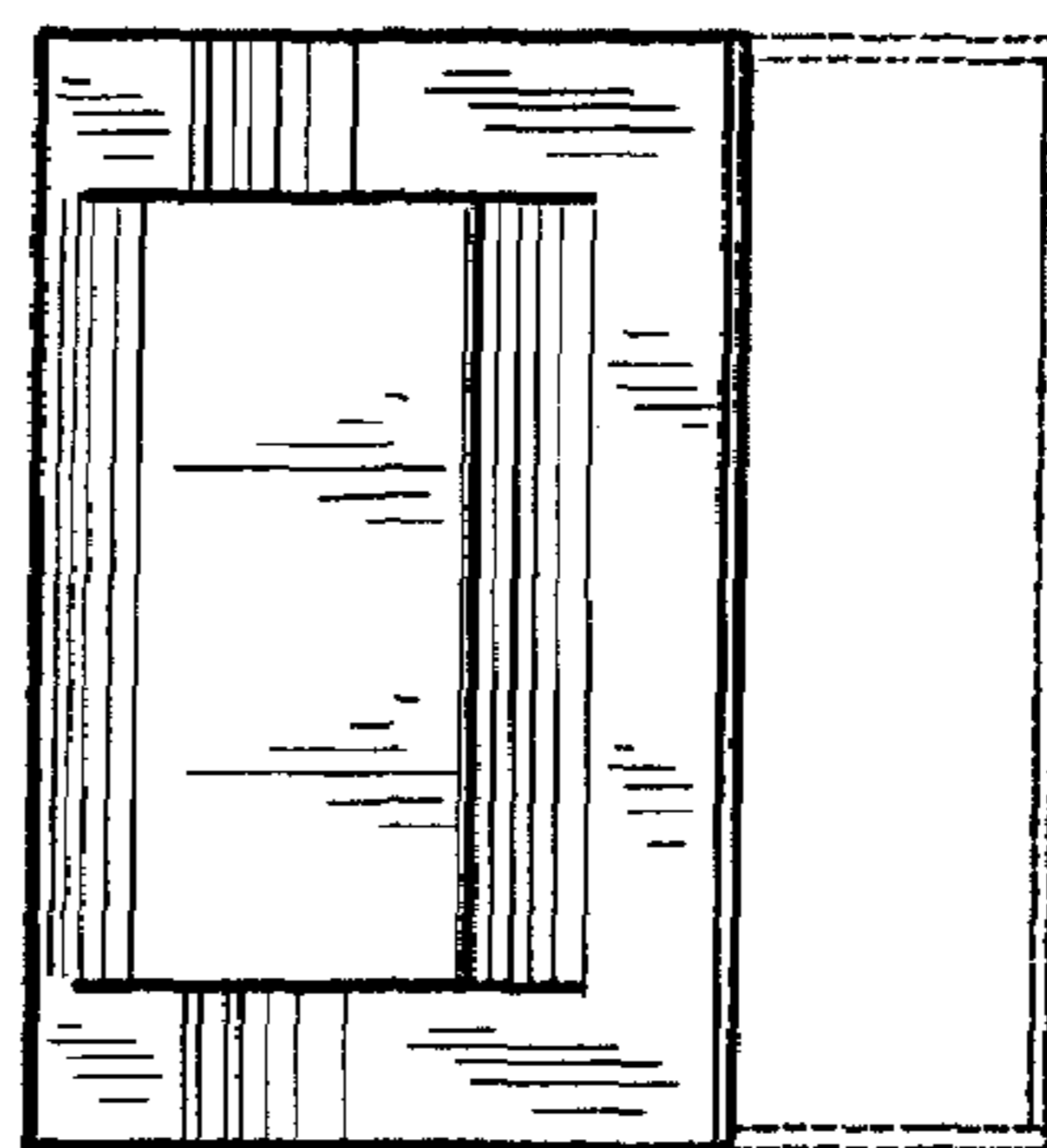


FIG. 3

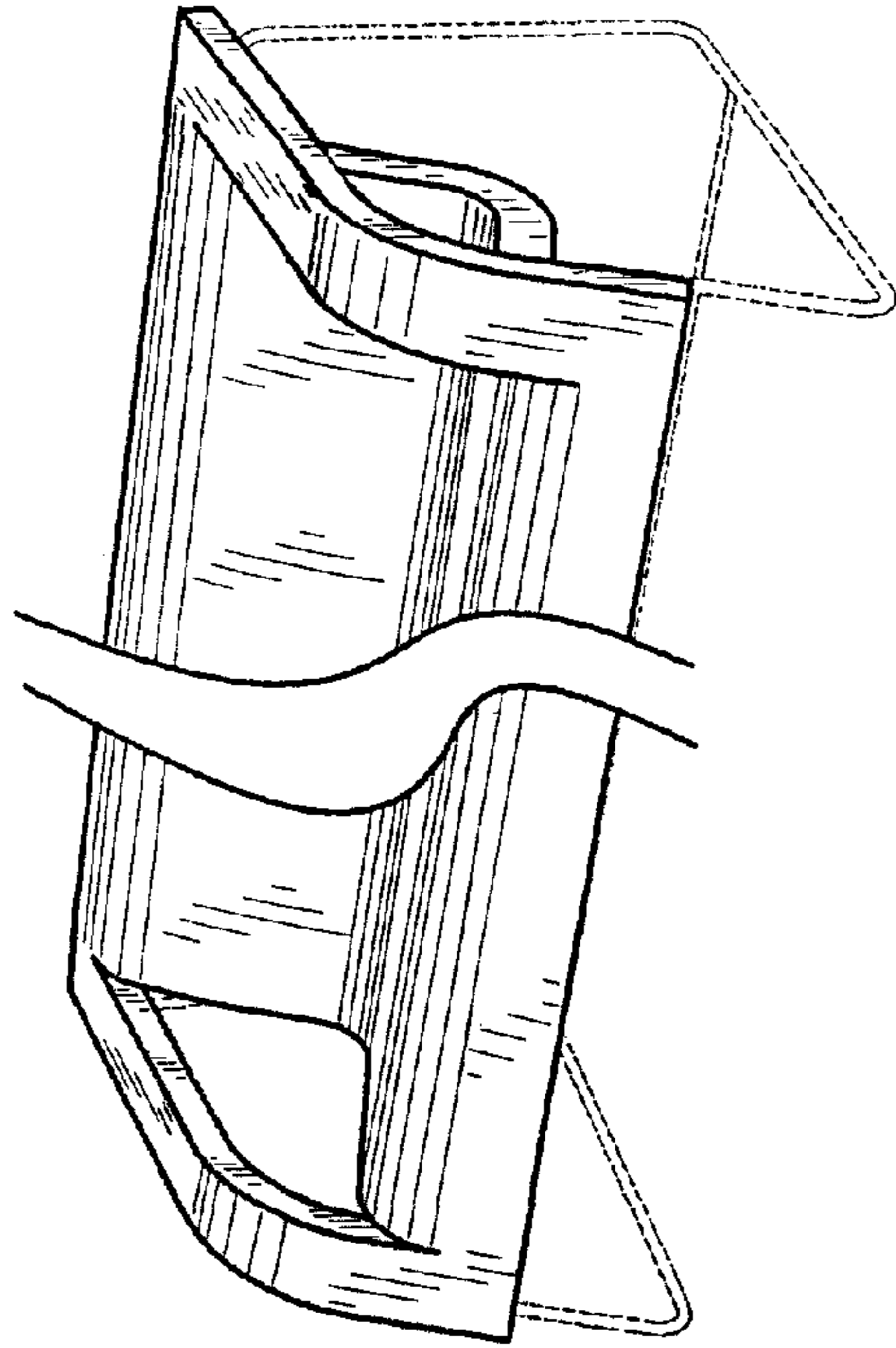


FIG. 5

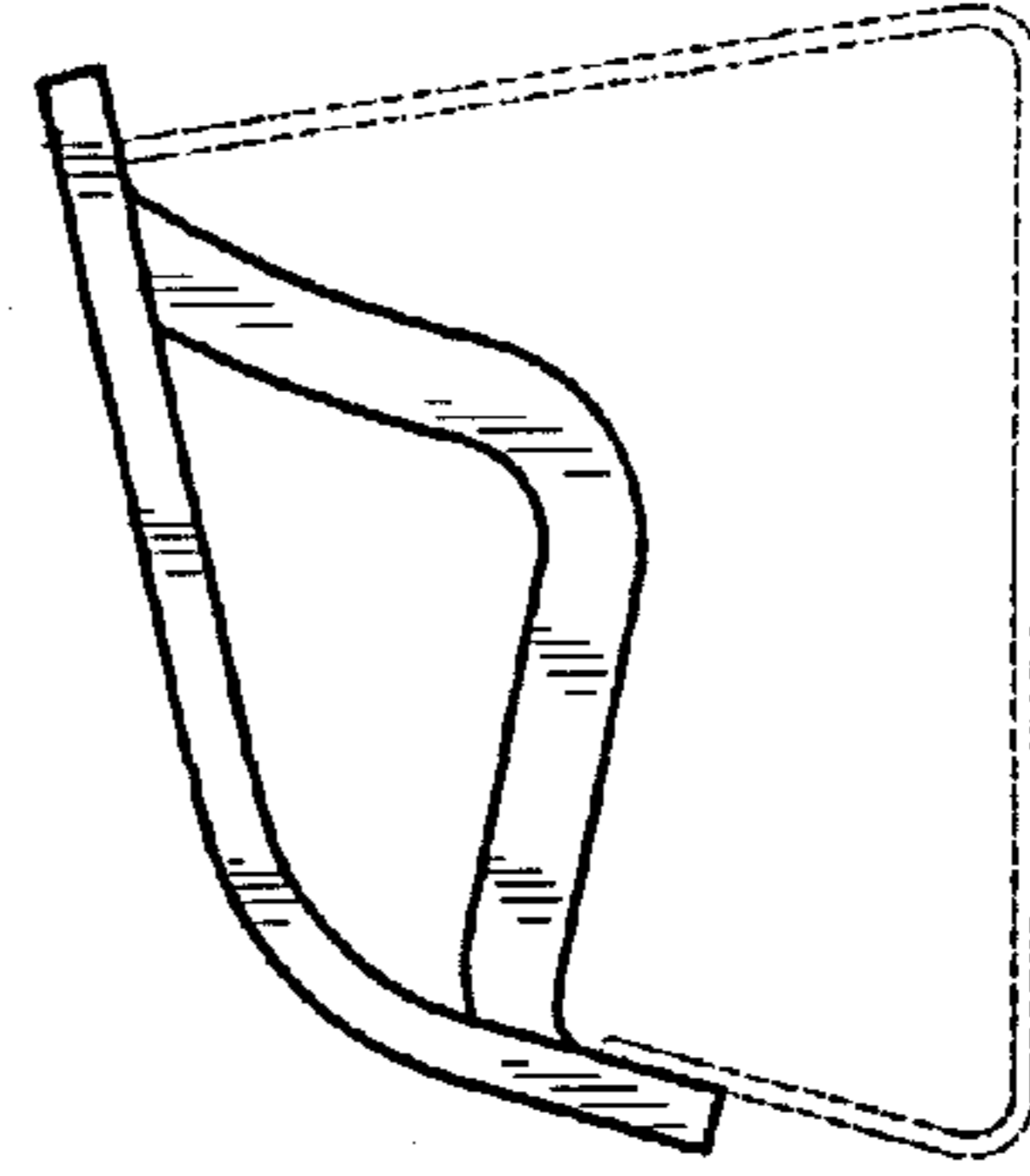


FIG. 8

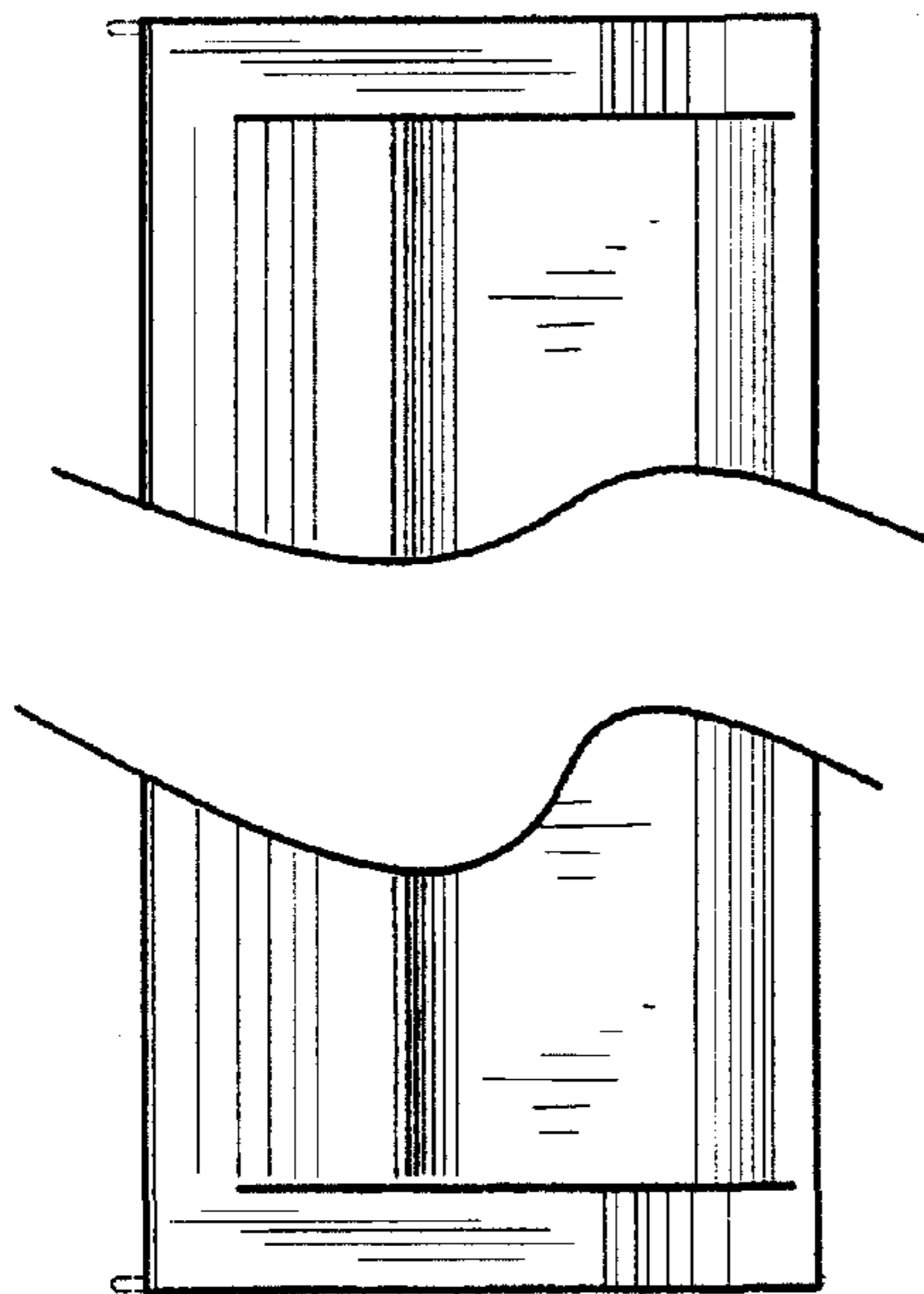


FIG. 6

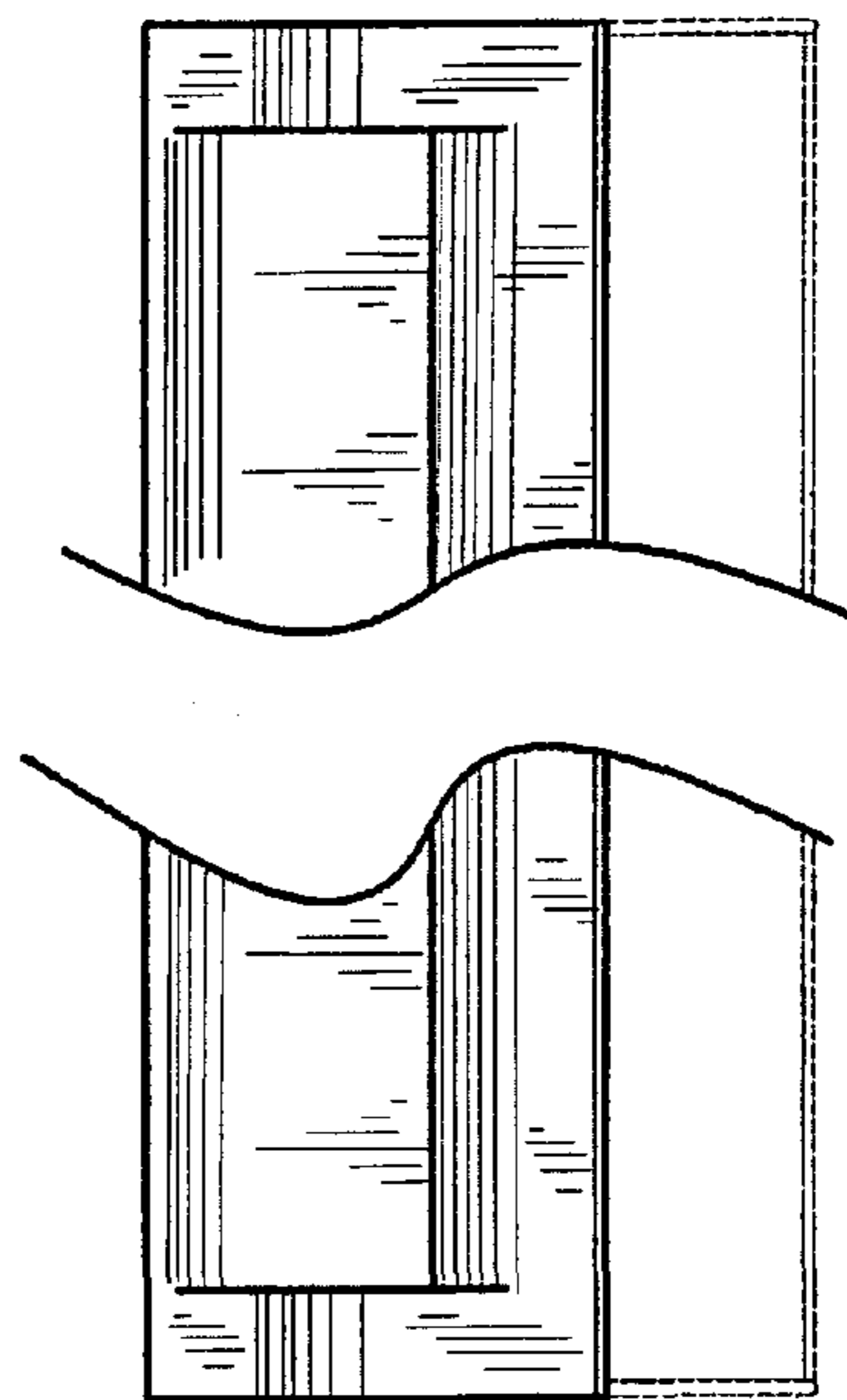


FIG. 7