



US00D554381S

(12) **United States Design Patent**  
**Valdiserri et al.**

(10) **Patent No.:** **US D554,381 S**  
(45) **Date of Patent:** **\*\* Nov. 6, 2007**

(54) **SEATING UNIT**

(75) Inventors: **David G. Valdiserri**, Grand Rapids, MI (US); **Gardner J. Klaasen, II**, Ada, MI (US); **Kirt D. Martin**, Alto, MI (US); **David C. Eberlein**, Hudsonville, MI (US)

(73) Assignee: **Steelcase Development Corporation**, Caledonia, MI (US)

(\*\*) Term: **14 Years**

(21) Appl. No.: **29/231,566**

(22) Filed: **Jun. 7, 2005**

(51) **LOC (8) Cl.** ..... **06-01**

(52) **U.S. Cl.** ..... **D6/366**

(58) **Field of Classification Search** ..... D6/374,  
D6/375, 334-336, 366, 377, 379-380, 500-502;  
297/452.21, 452.26, 452.29, 452.35, 452.32,  
297/452.48, 411.2, 411.27, 411.24

See application file for complete search history.

(56) **References Cited**

**U.S. PATENT DOCUMENTS**

D155,728 S	10/1949	Paden	
D303,888 S	10/1989	Stafford	
D304,885 S	12/1989	Wilson	
D313,705 S	1/1991	Hensel et al.	
D368,817 S	4/1996	Schultz	
D370,789 S *	6/1996	Groulx	D6/366
D373,695 S	9/1996	Buffon	
D391,424 S	3/1998	Raftery	
D399,668 S	10/1998	Crinion	
D402,128 S	12/1998	Wilson	
D405,283 S *	2/1999	James	D6/366
D409,022 S	5/1999	Vanderwood et al.	

D409,406 S	5/1999	Kaczmarek	
D416,141 S	11/1999	Beaulieu	
D416,702 S	11/1999	Kaczmarek	
D418,316 S *	1/2000	Vogtherr	D6/366
D428,724 S	8/2000	Beaulieu	
D429,584 S *	8/2000	Brettschneider et al.	D6/500
D433,853 S	11/2000	Shamir	
D436,770 S	1/2001	Schultz	
D439,083 S	3/2001	Tseng	
D445,579 S *	7/2001	Olson	D6/366
D446,033 S *	8/2001	Koepke et al.	D6/366
D465,361 S	11/2002	Chi	

(Continued)

*Primary Examiner*—Caron D. Veynar

*Assistant Examiner*—Abraham Bahta

(74) *Attorney, Agent, or Firm*—Price, Heneveld, Cooper, DeWitt & Litton LLP

(57) **CLAIM**

We claim the ornamental design for seating unit, as shown.

**DESCRIPTION**

FIG. 1 is a perspective view of a second seating unit embodying the present invention;

FIG. 2 is a front view of the seating unit shown in FIG. 1;

FIG. 3 is a right side view of the seating unit shown in FIG. 1, the left side being a mirror image thereof;

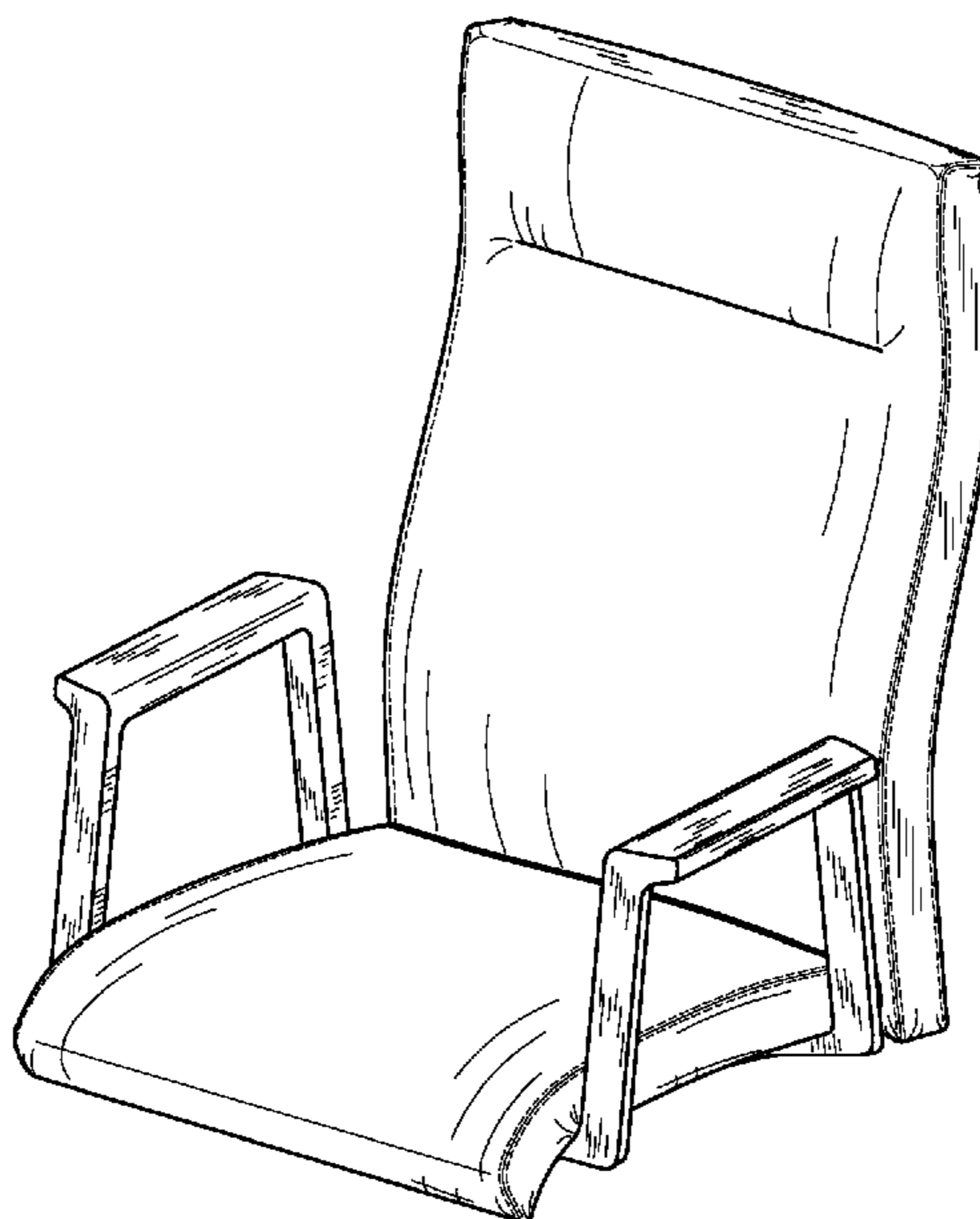
FIG. 4 is a rear view of the seating unit shown in FIG. 1;

FIG. 5 is a top view of the seating unit shown in FIG. 1; and,

FIG. 6 is a bottom view of the seating unit shown in FIG. 1.

The broken lines are for illustrative purposes only and form no part of the claimed design.

**1 Claim, 3 Drawing Sheets**



# US D554,381 S

Page 2

---

## U.S. PATENT DOCUMENTS

6,517,158 B1	2/2003	Wang	D494,391 S	8/2004	True
D471,024 S	3/2003	Chadwick et al.	D494,788 S	8/2004	True
D471,728 S	3/2003	Tseng	D494,790 S	8/2004	True
D474,040 S *	5/2003	Meda ..... D6/366	D495,168 S	8/2004	True
D474,051 S	5/2003	Tseng	D495,169 S	8/2004	True
D474,052 S	5/2003	True	D495,170 S	8/2004	True
D481,231 S	10/2003	True	D495,906 S	9/2004	True
D482,205 S *	11/2003	Englisch et al. .... D6/366	D495,907 S	9/2004	True
D486,317 S	2/2004	Roth	D496,535 S	9/2004	Goodworth
D489,542 S	5/2004	Giugiaro	D504,040 S	4/2005	True
D490,994 S	6/2004	Schmitz et al.	D530,935 S *	10/2006	Huang ..... D6/366
D491,398 S	6/2004	True	D535,126 S *	1/2007	Loew et al. .... D6/500
D492,143 S	6/2004	True	D535,831 S *	1/2007	Huang ..... D6/366
D493,987 S	8/2004	True	D536,890 S *	2/2007	Loew et al. .... D6/366
D494,389 S	8/2004	True	D538,055 S *	3/2007	Kang ..... D6/366
D494,390 S	8/2004	True			

\* cited by examiner

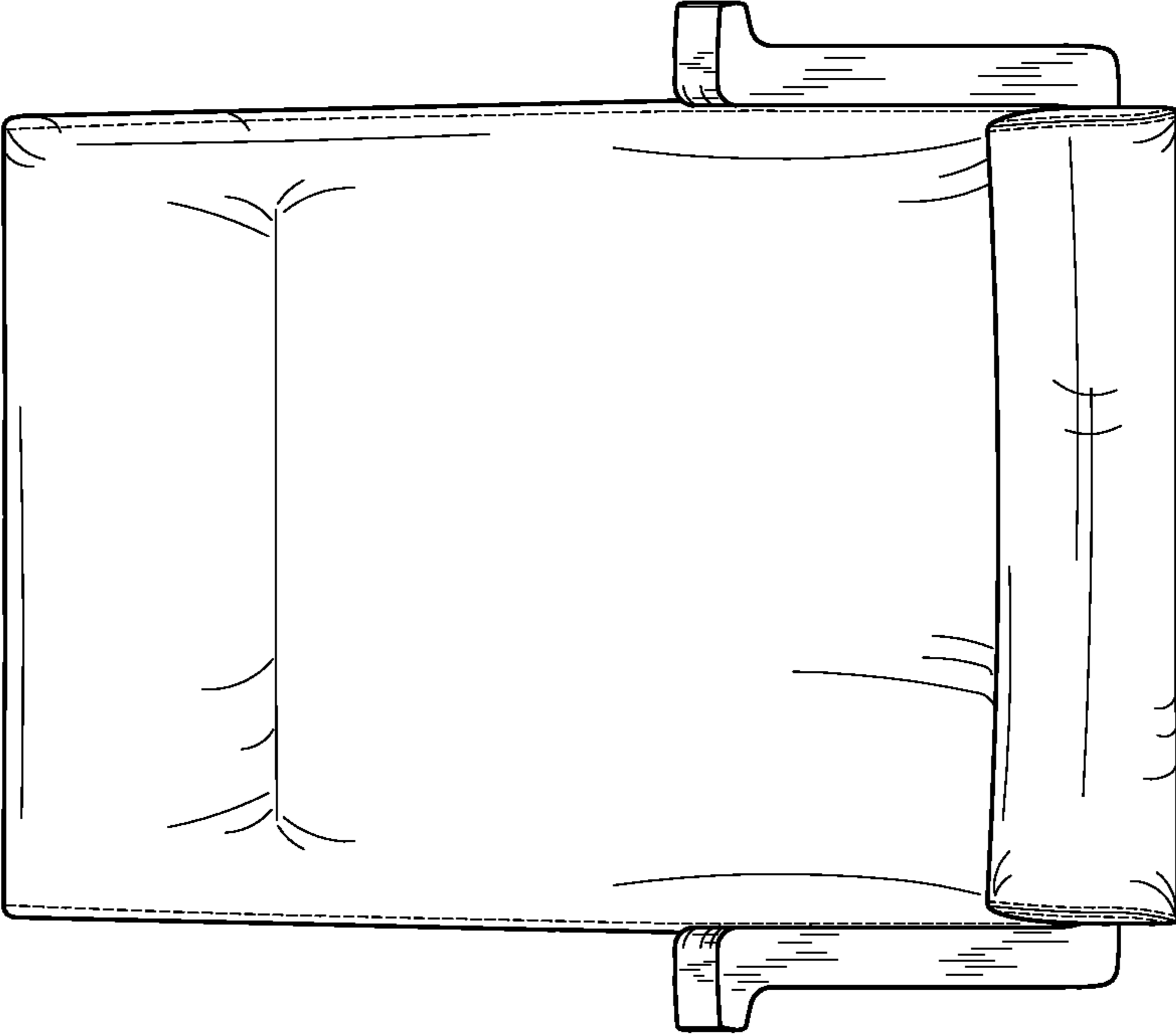


FIG. 2

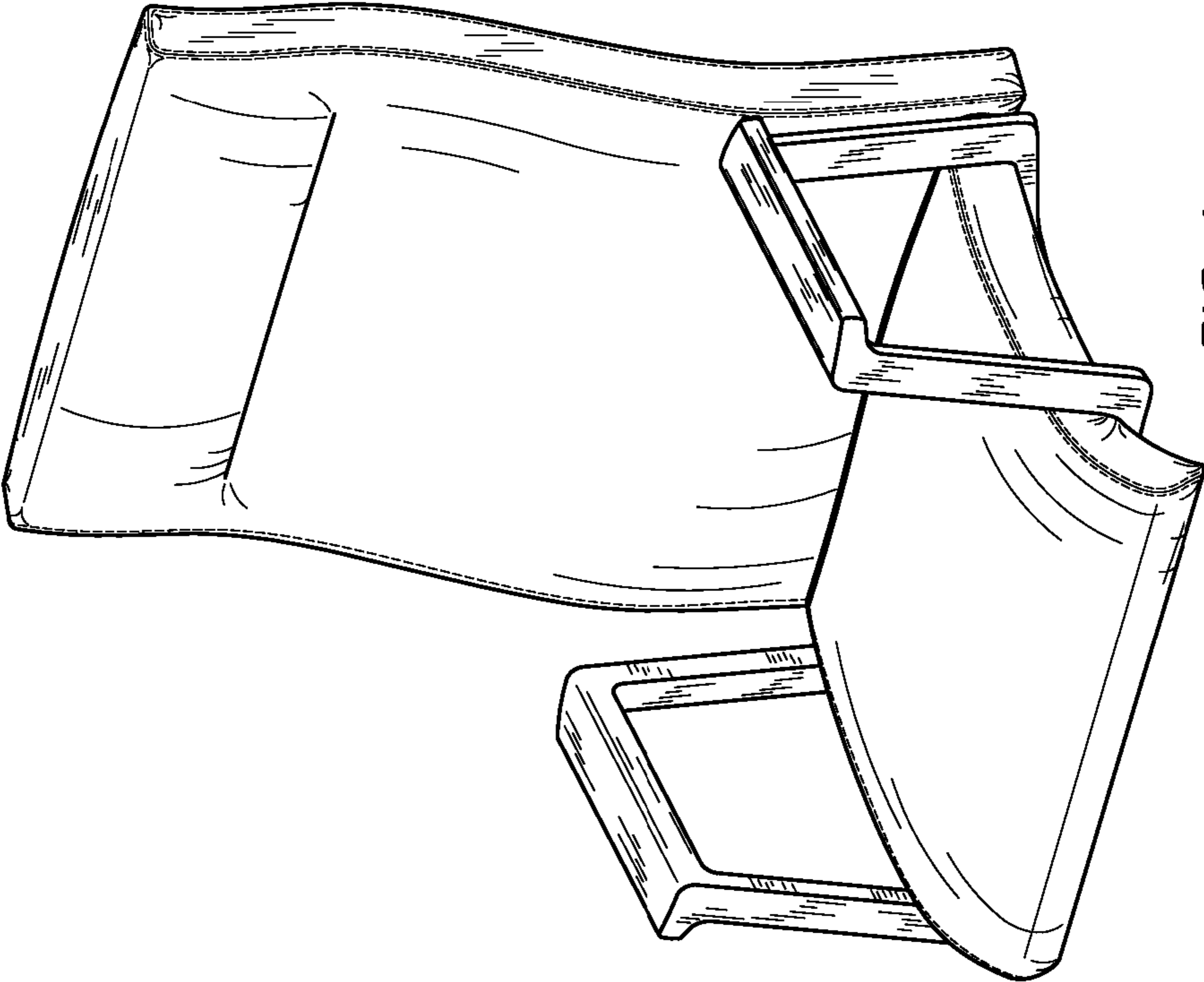


FIG. 1

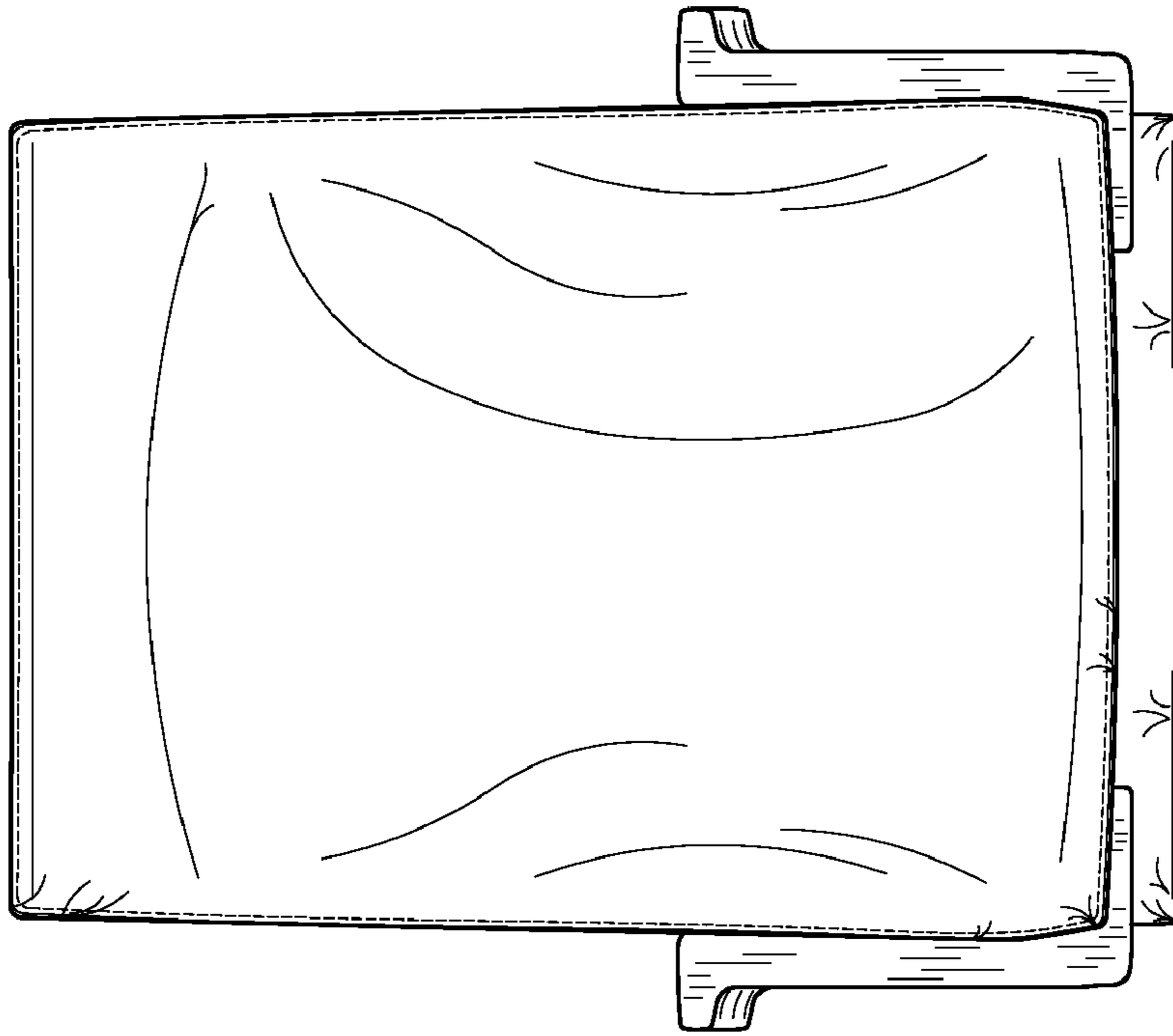


FIG. 4

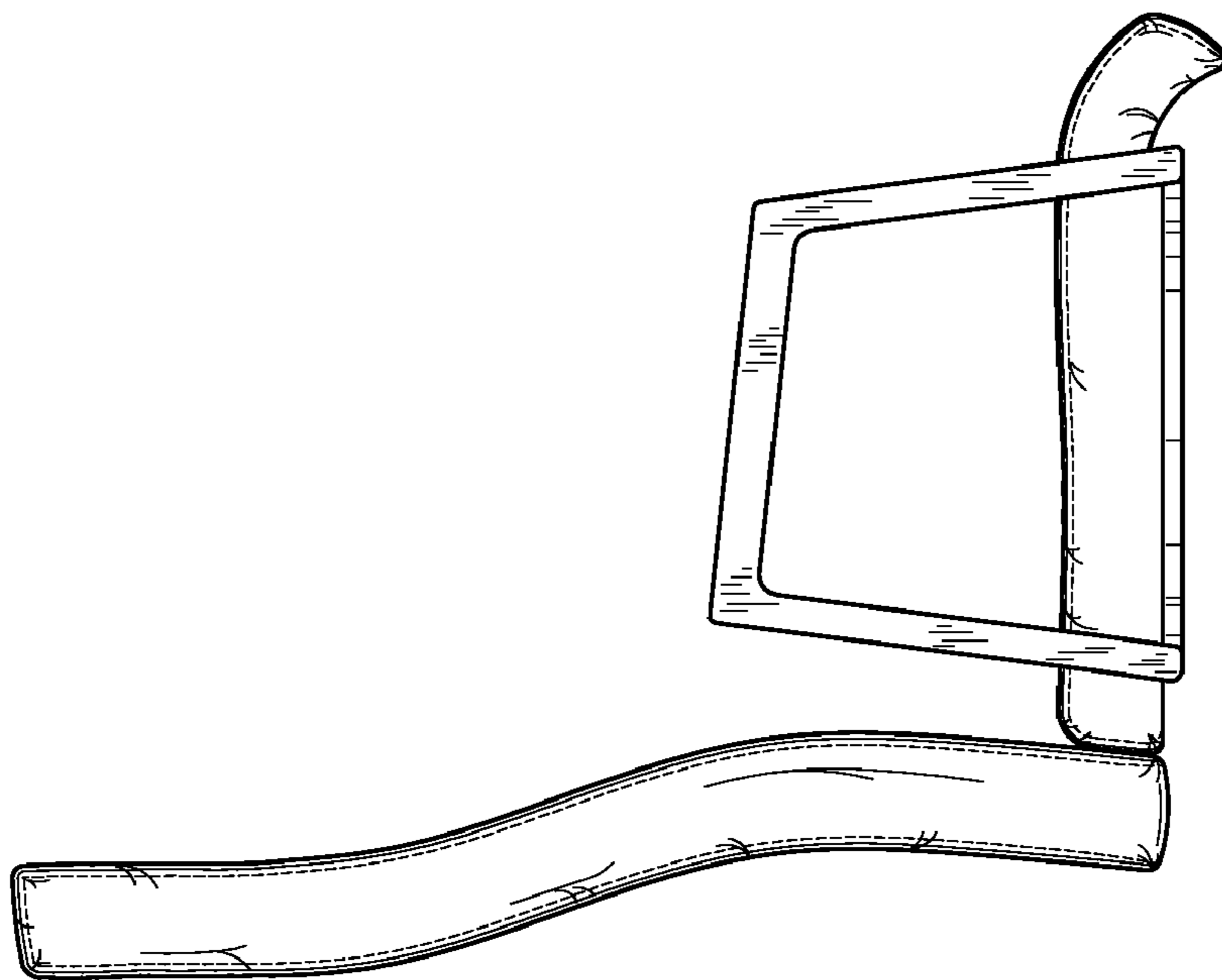


FIG. 3

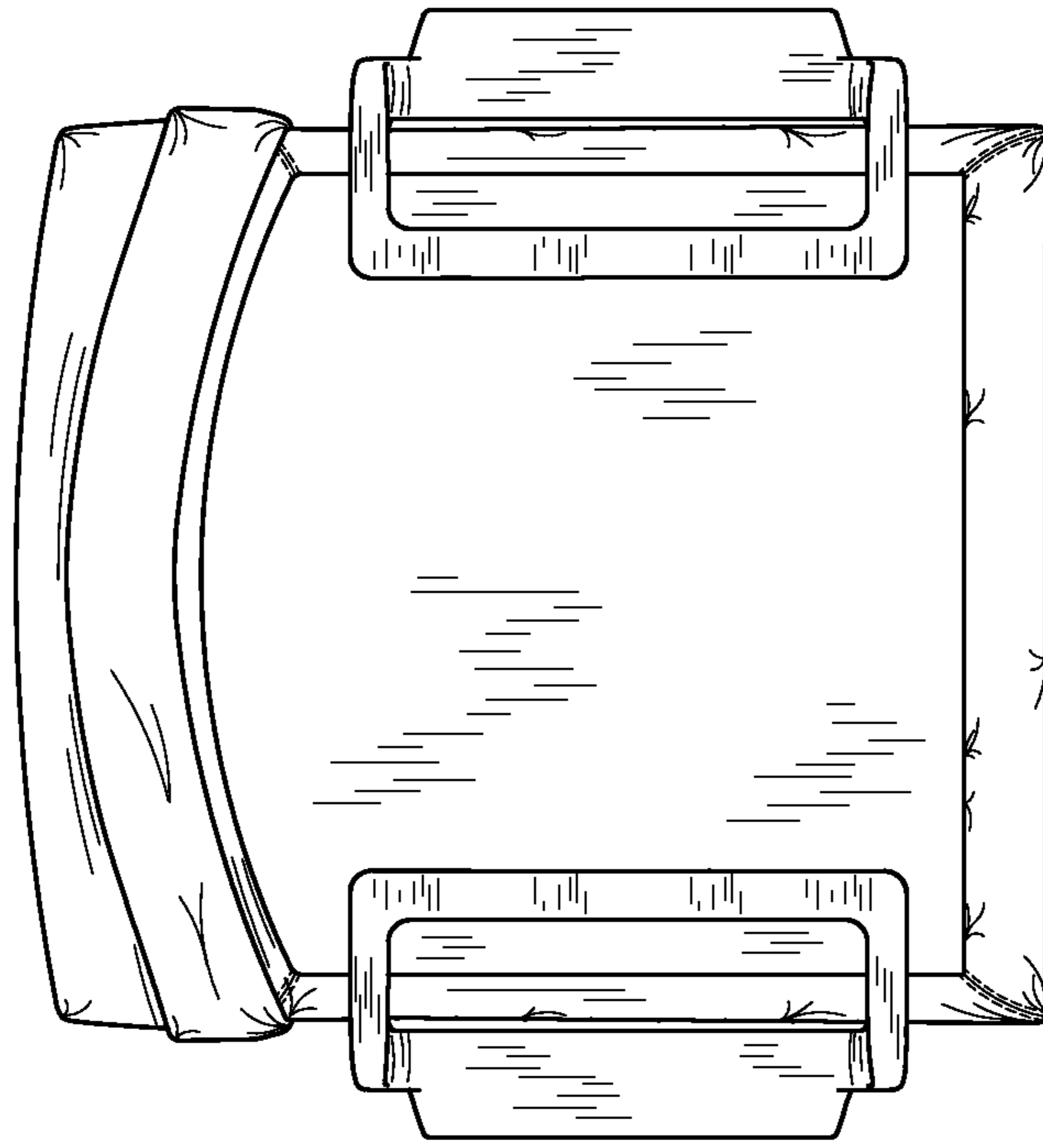


FIG. 6

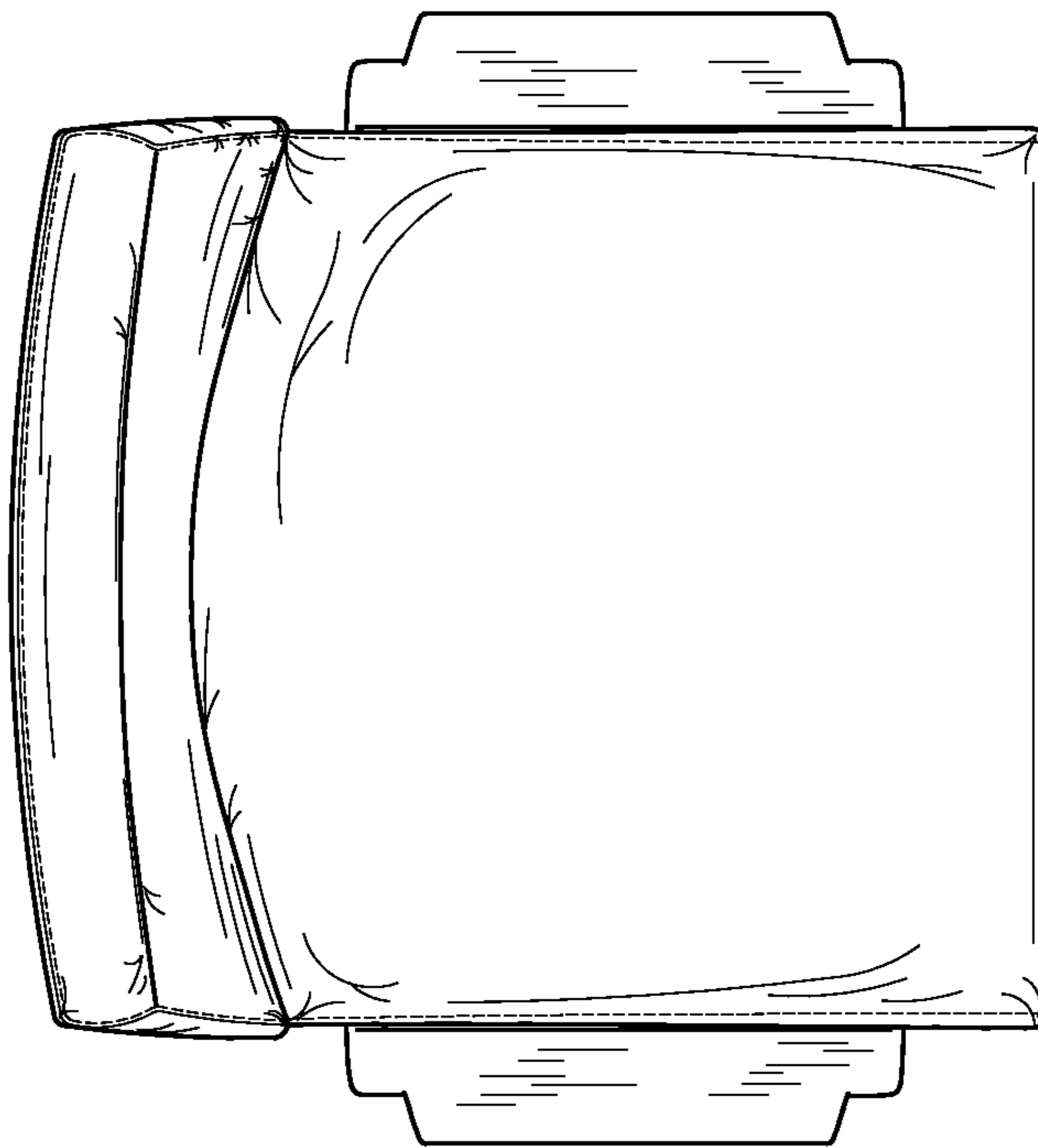


FIG. 5