



US00D554377S

(12) **United States Design Patent**
Therrio et al.

(10) **Patent No.:** **US D554,377 S**

(45) **Date of Patent:** **** Nov. 6, 2007**

(54) **SLIDE SANDAL HOLDER**

(75) Inventors: **Ron Therrio**, Silverado, CA (US);
Tammy Checkwood, Huntington
Beach, CA (US); **Wade Motawi**,
Ladera Ranch, CA (US)

(73) Assignee: **Pierre Senizergues**, Newport Beach,
CA (US)

(**) Term: **14 Years**

(21) Appl. No.: **29/247,405**

(22) Filed: **Jun. 15, 2006**

(51) **LOC (8) Cl.** **06-08**

(52) **U.S. Cl.** **D6/315; D6/328**

(58) **Field of Classification Search** D6/315,
D6/316, 317, 328; D8/372; 211/13.1, 85.3,
211/113; 223/85-98

See application file for complete search history.

(56) **References Cited**

U.S. PATENT DOCUMENTS

D184,686 S * 3/1959 Rosen D8/372
D193,919 S * 10/1962 Meyer D6/328
3,420,383 A * 1/1969 Raynor 211/113
D237,852 S * 12/1975 Aron D6/315

D360,533 S * 7/1995 Williams D6/315
D366,366 S * 1/1996 Restaino D6/315
D417,084 S * 11/1999 Gray D6/328
D480,293 S * 10/2003 Ismail D8/372

* cited by examiner

Primary Examiner—Stella M. Reid

Assistant Examiner—Shanda C. Hill

(74) *Attorney, Agent, or Firm*—Marc E. Hankin; Hankin
Patent Law, APC

(57) **CLAIM**

The ornamental design for a slide sandal holder, as shown
and described.

DESCRIPTION

FIG. 1 is a side perspective view of a slide sandal holder
showing our new design;

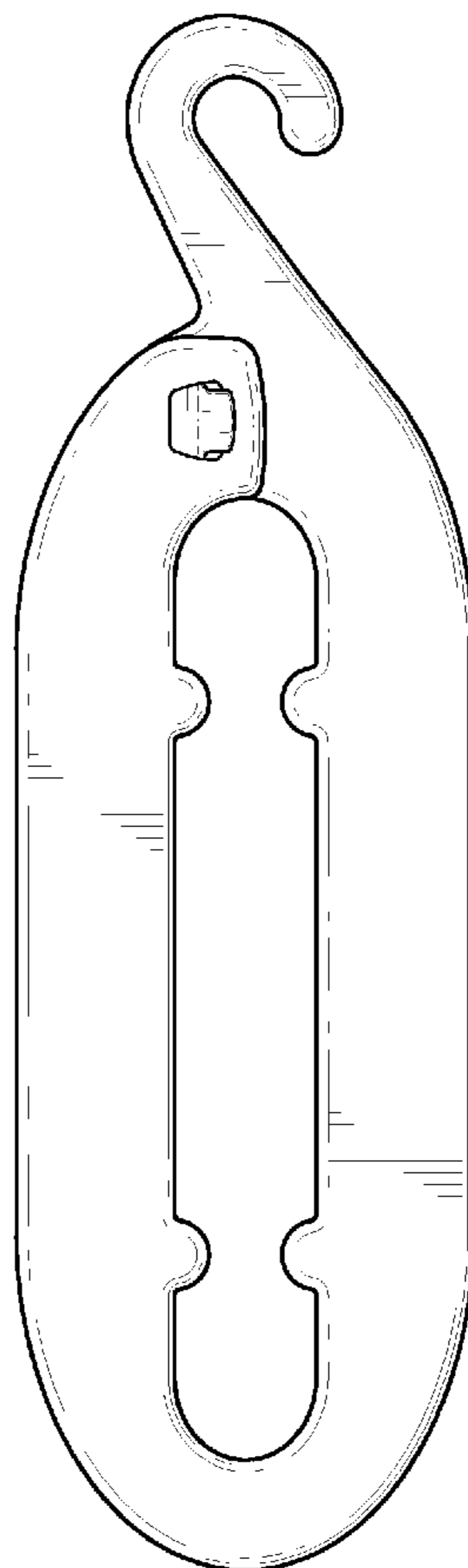
FIG. 2 is another side perspective shown with cross-section
directional lines;

FIG. 3 is a cross-sectional view taken along line 3—3 of
FIG. 2; and,

FIG. 4 is a cross-sectional view taken along line 4—4 of
FIG. 2.

All sides not shown form no part of the claimed design.

1 Claim, 2 Drawing Sheets



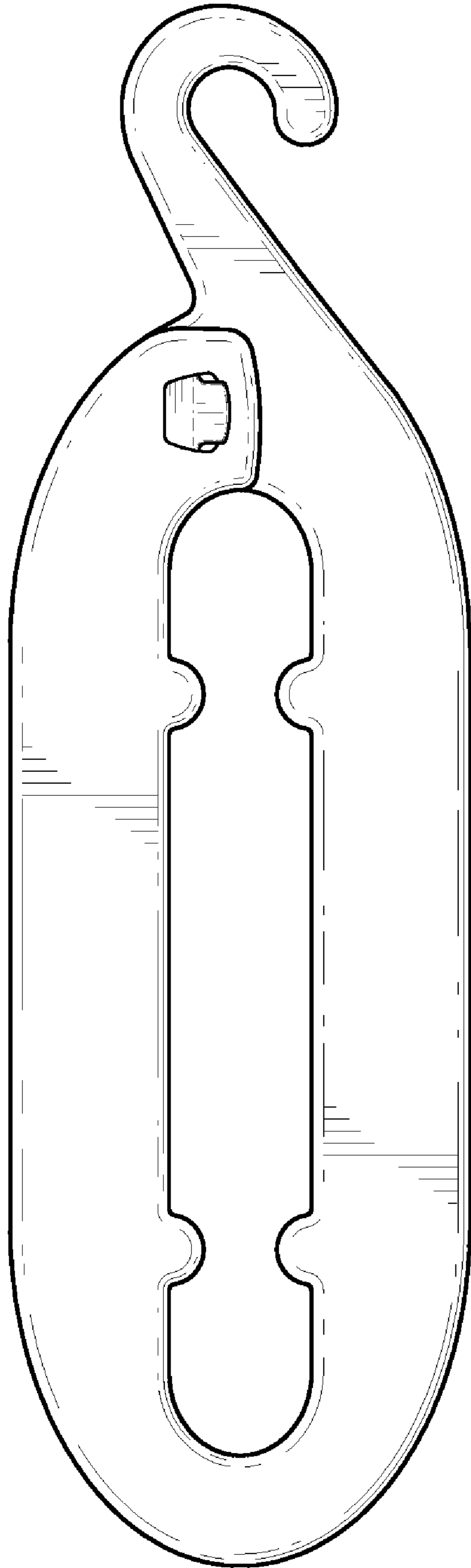


FIG. 1

FIG. 2

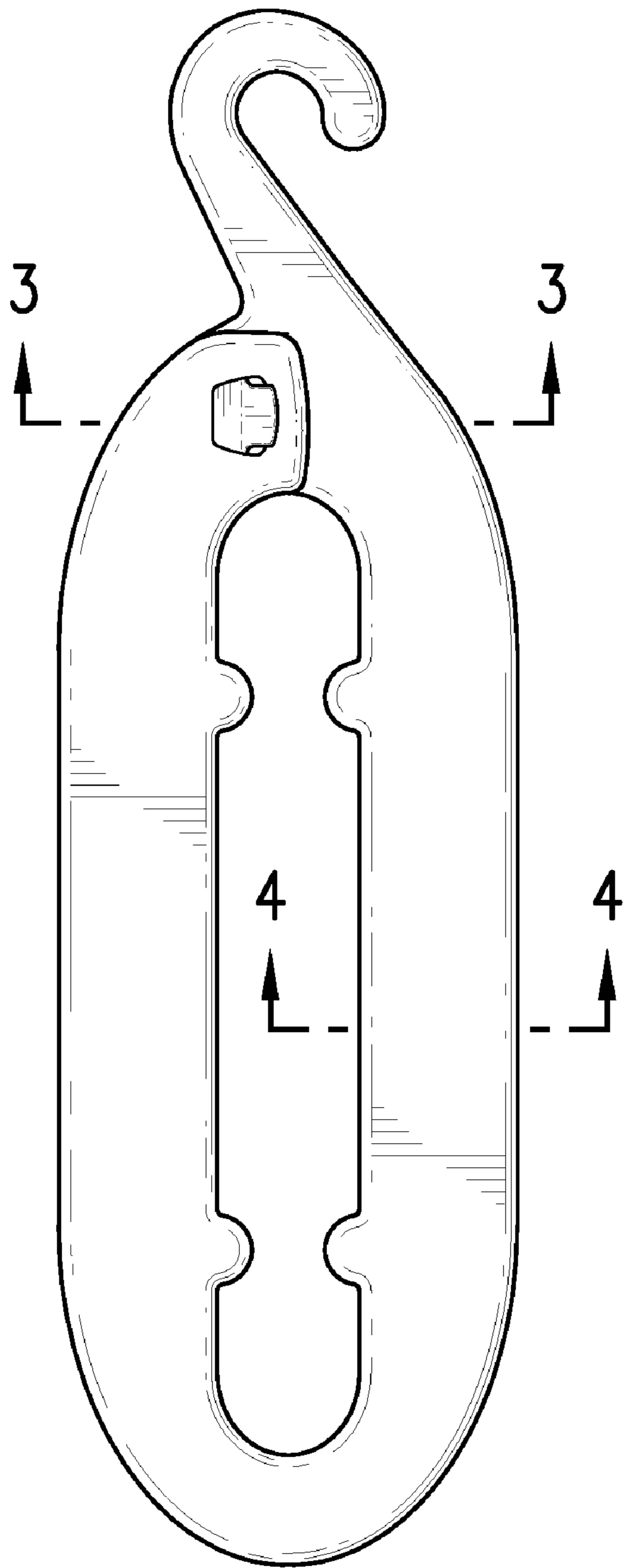


FIG. 3



FIG. 4