



US00D554374S

(12) **United States Design Patent**
Franzino

(10) **Patent No.:** **US D554,374 S**

(45) **Date of Patent:** **** Nov. 6, 2007**

(54) **TUBE CLEANING IMPLEMENT**

(75) **Inventor:** **Joseph J Franzino**, Redding, CT (US)

(73) **Assignee:** **Goodway Technologies Corporation**,
Stamford, CT (US)

(**) **Term:** **14 Years**

(21) **Appl. No.:** **29/270,045**

(22) **Filed:** **Dec. 13, 2006**

(51) **LOC (8) Cl.** **04-01**

(52) **U.S. Cl.** **D4/118; D4/131**

(58) **Field of Classification Search** D4/118,
D4/131; 15/104.03, 104.05, 104.061, 104.063,
15/104.066, 104.068, 104.09, 104.16, 104.17,
15/104.31, 117, 206

See application file for complete search history.

(56) **References Cited**

U.S. PATENT DOCUMENTS

2,232,358 A * 2/1941 Baerer 401/9

2,601,691 A * 7/1952 Dyer 15/104.2
2,891,269 A * 6/1959 Ross 15/104.18
2,972,156 A * 2/1961 Ver Nooy 15/104.061
3,939,519 A * 2/1976 Muirhead 15/104.061
5,795,402 A * 8/1998 Hargett, Sr. et al. 134/8

* cited by examiner

Primary Examiner—Alan P. Douglas

Assistant Examiner—Lavone D. Tabor

(74) *Attorney, Agent, or Firm*—Patrick J. Walsh

(57) **CLAIM**

The ornamental design for a tube cleaning implement,
substantially as shown and described.

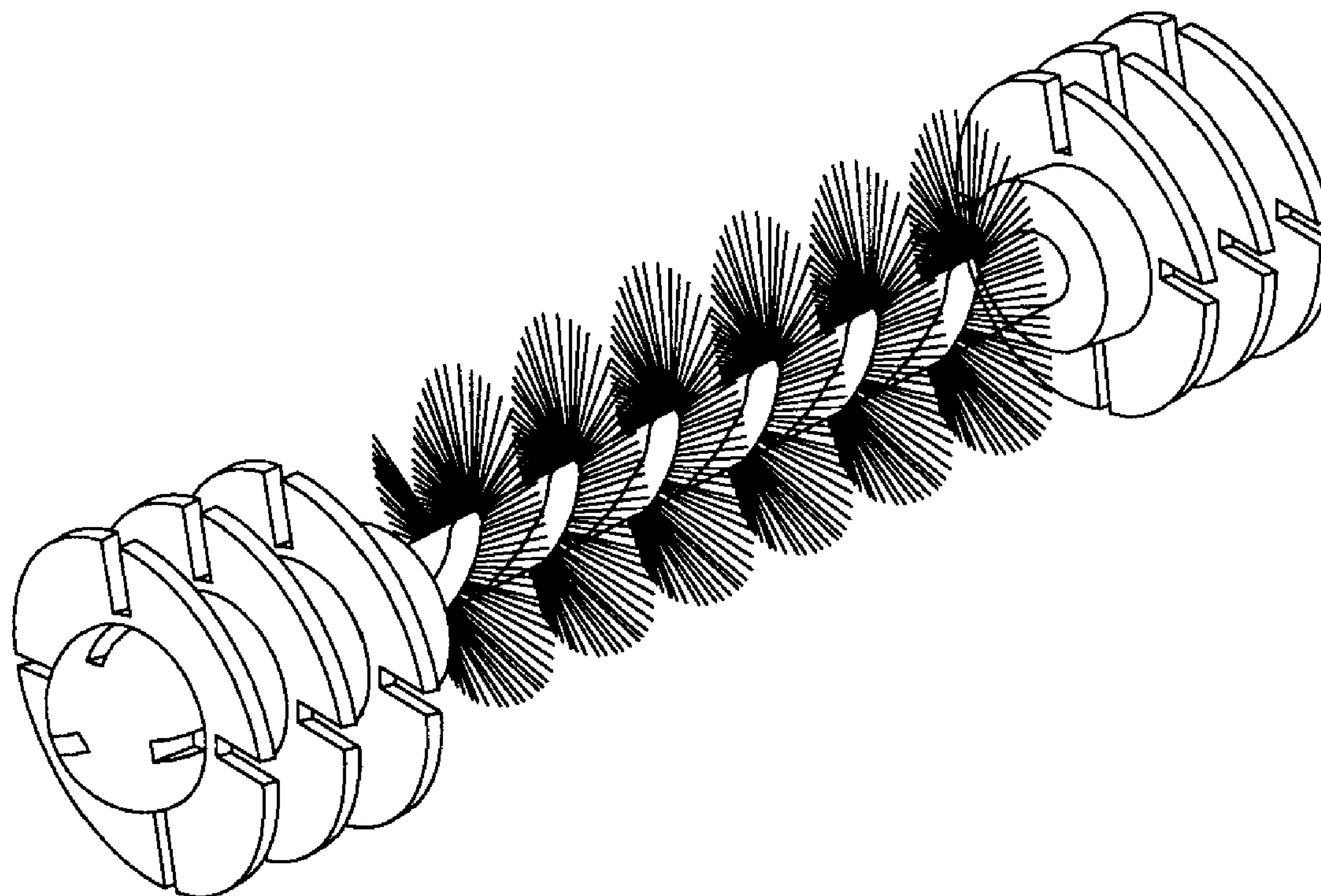
DESCRIPTION

FIG. 1 is a perspective view of tube cleaning implement,
showing my new design;

FIG. 2 is a side elevation view thereof; and

FIG. 3 is a front end elevation view thereof, the rear
elevation having the same appearance.

1 Claim, 1 Drawing Sheet



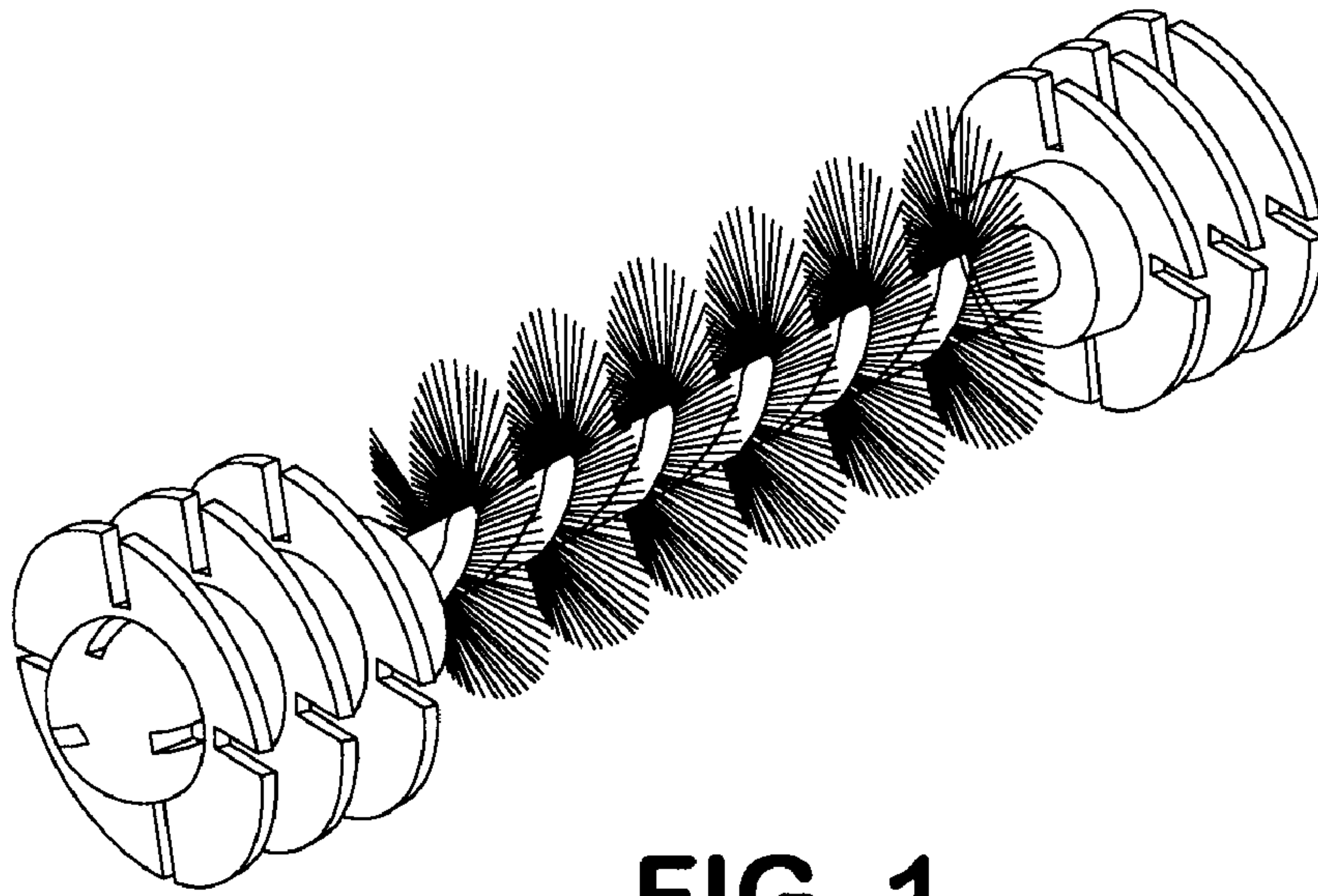


FIG. 1

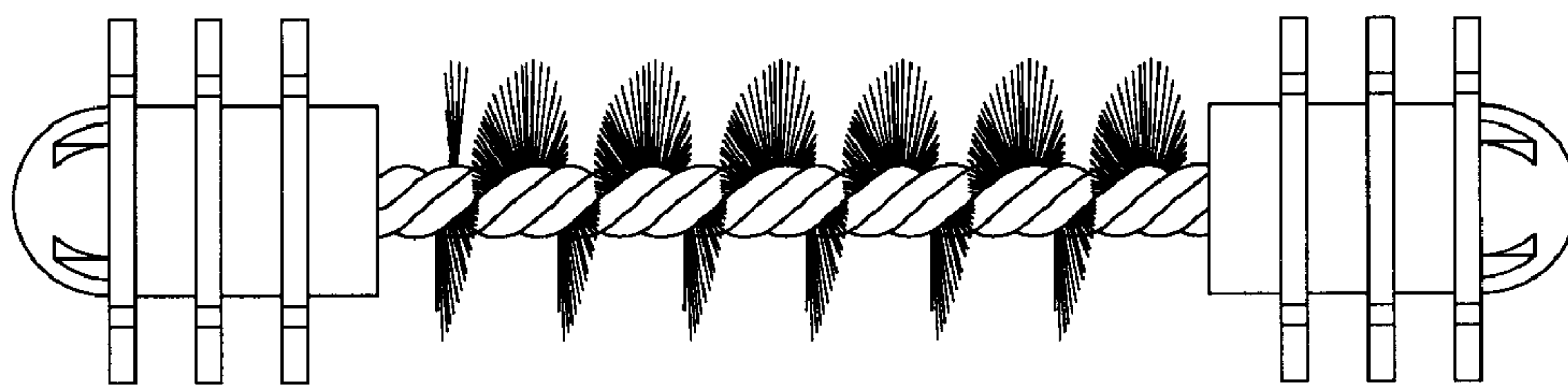


FIG. 2

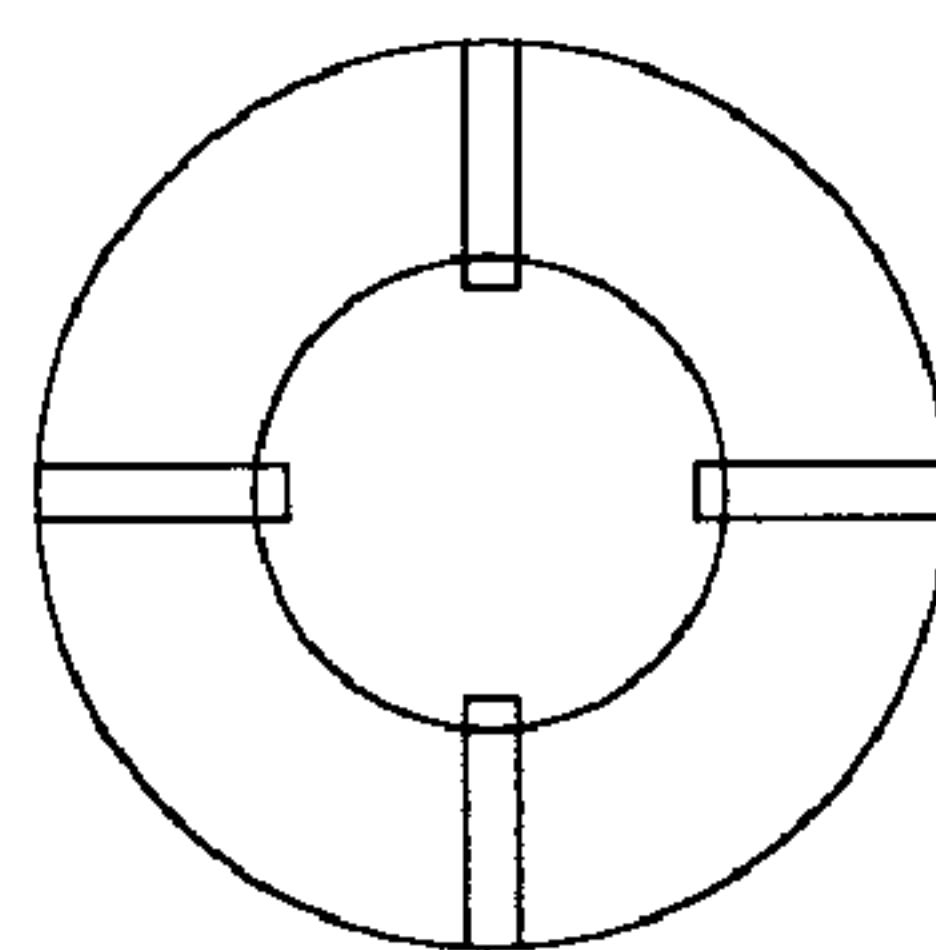


FIG. 3