



US00D554373S

(12) **United States Design Patent**
Fenton et al.

(10) **Patent No.:** **US D554,373 S**
(45) **Date of Patent:** **** Nov. 6, 2007**

(54) **CARRY HANDLE SET FOR LUGGAGE**

2004/0231102 A1* 11/2004 Morenstein et al. 16/114.1

(75) Inventors: **Timm John Fenton**, Califon, NJ (US);
Peter Chang-Lin Wu, Piscataway, NJ
(US); **Paul Victor Scicluna**, Penndel,
PA (US)

* cited by examiner

Primary Examiner—Louis S. Zarfaz
Assistant Examiner—Kathleen Sims
(74) *Attorney, Agent, or Firm*—Charles E. Baxley

(73) Assignee: **Tumi, Inc.**, South Plainfield, NJ (US)

(57) **CLAIM**

(**) Term: **14 Years**

I claim the ornamental design for a carry handle set for luggage, as shown and described.

(21) Appl. No.: **29/272,179**

(22) Filed: **Feb. 3, 2007**

DESCRIPTION

(51) **LOC (8) Cl.** **03-01**

FIG. 1 is a frontal, downward, rightward perspective view of carry handle set for luggage according to our design;

(52) **U.S. Cl.** **D3/318**

FIG. 2 is a front elevational view of the handles;

(58) **Field of Classification Search** D3/216–217,
D3/215, 276, 279, 291, 318, 328, 320, 273,
D3/254, 218, 255, 282, 289; 190/109–113,
190/18 A, 39, 115, 100

FIG. 3 is a left elevational view thereof;

FIG. 4 is a rear elevational view thereof;

FIG. 5 is a right elevational view thereof;

See application file for complete search history.

FIG. 6 is a top plan view thereof with the handles extended upwardly; and,

FIG. 7 is a top elevational view thereof with the handles folded onto the article of luggage.

(56) **References Cited**

U.S. PATENT DOCUMENTS

D254,220 S *	2/1980	Davis	D3/289
D417,782 S *	12/1999	Tawil	D3/283
D447,340 S *	9/2001	Snider	D3/276
D447,632 S *	9/2001	Gisser	D3/289
D448,164 S *	9/2001	Kolpin	D3/262
D465,924 S *	11/2002	Gisser	D3/289
D469,252 S *	1/2003	Su	D3/289
6,581,736 B1 *	6/2003	Scicluna	190/109
D481,540 S *	11/2003	Van Himbeeck	D3/289

The broken line showing of the suitcase in FIGS. 1–7 is included for the purpose of illustrating portions of environment of the carry handle set for luggage and forms no part of the claimed design.

The broken lines appearing on the handle set represent conventional stitching and are a part of the claimed design.

1 Claim, 6 Drawing Sheets

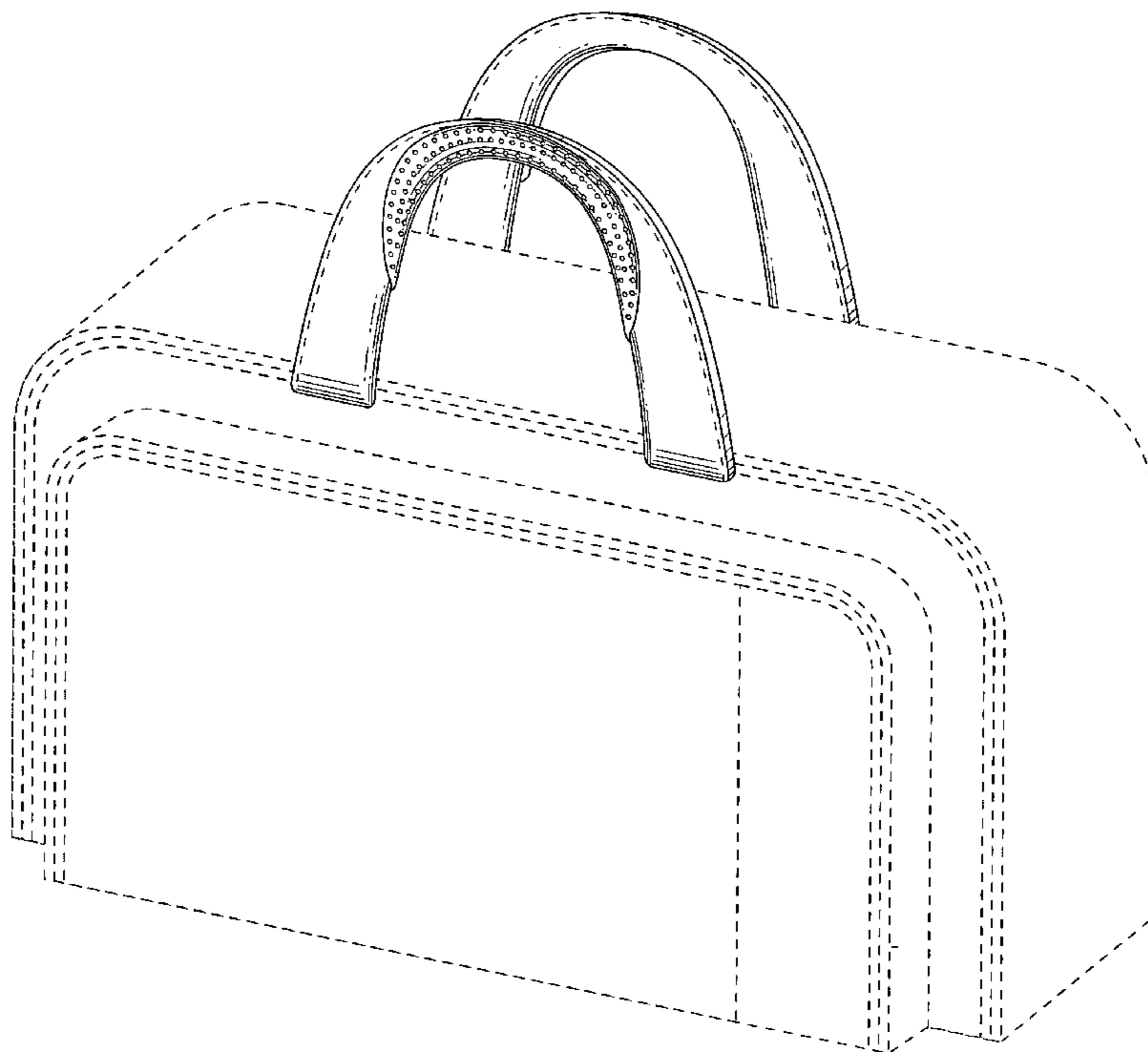


FIG. 1

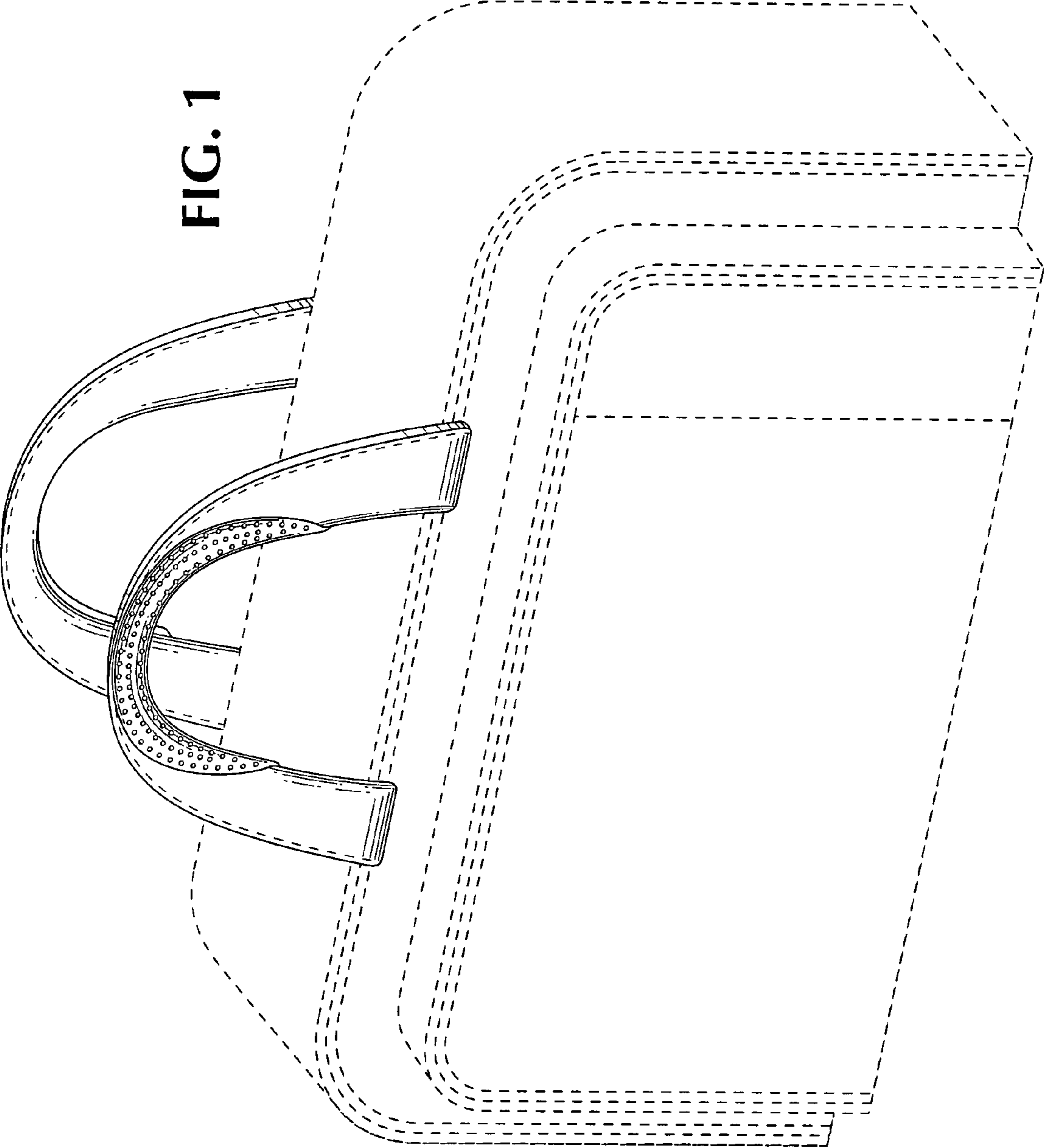
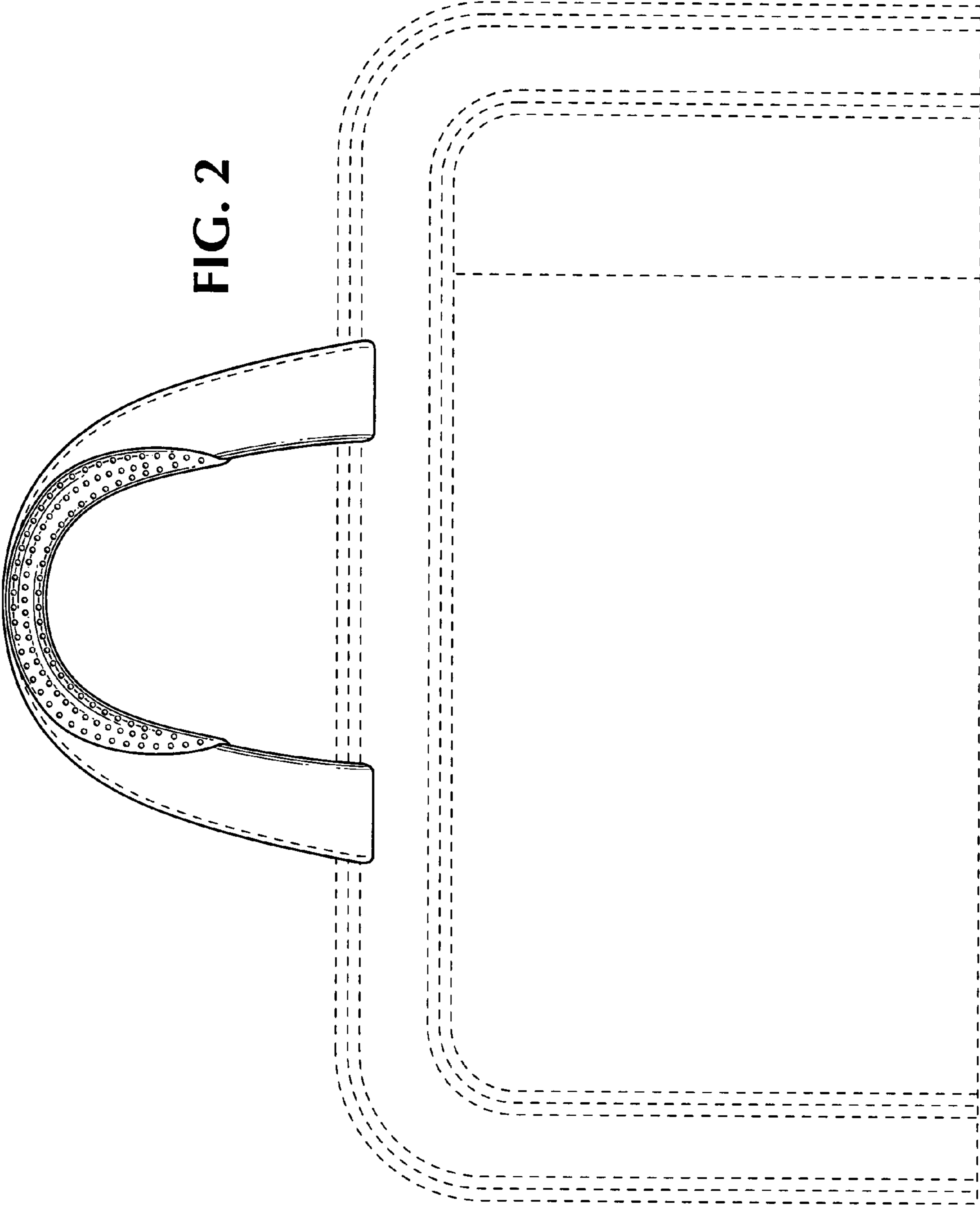


FIG. 2



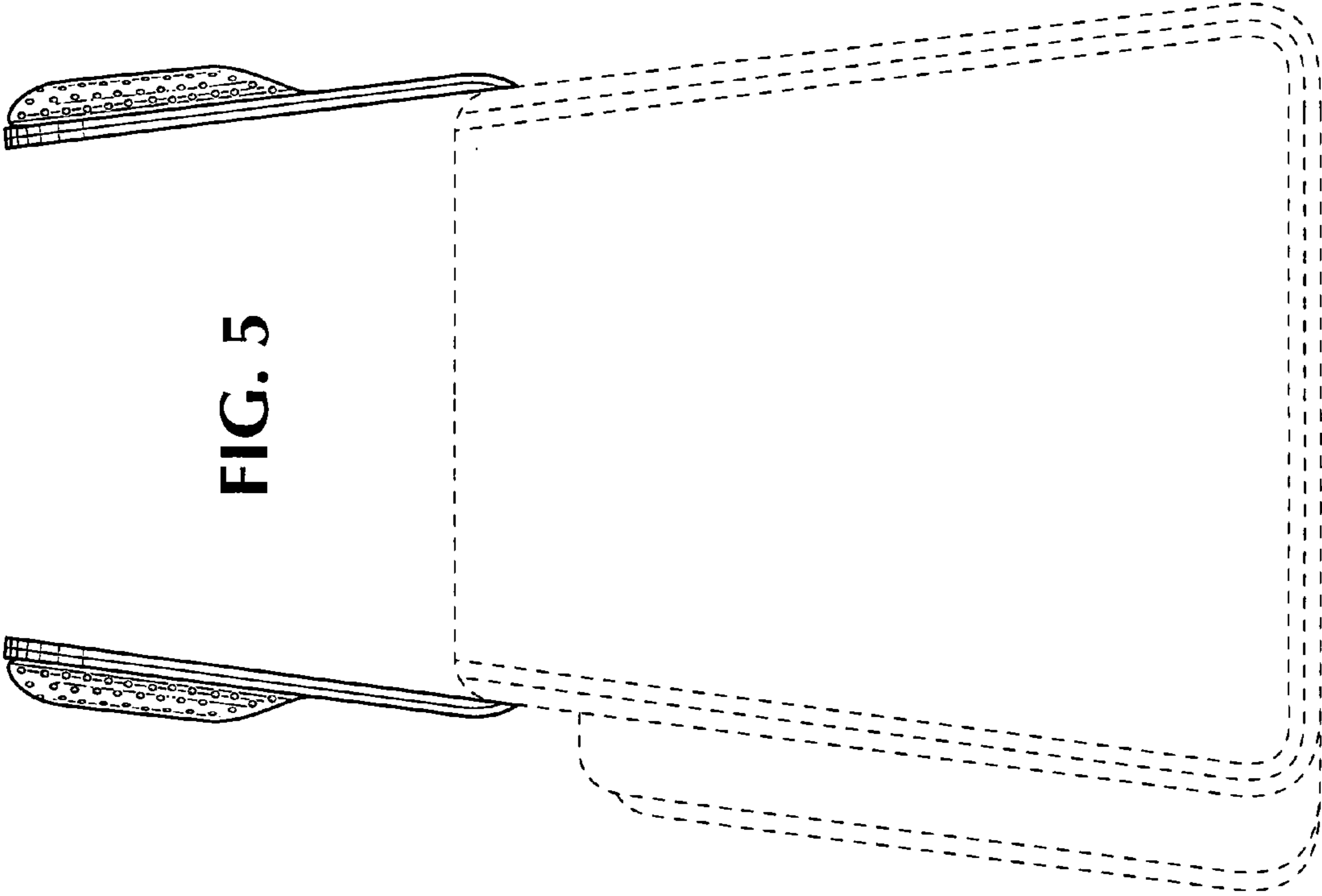


FIG. 5

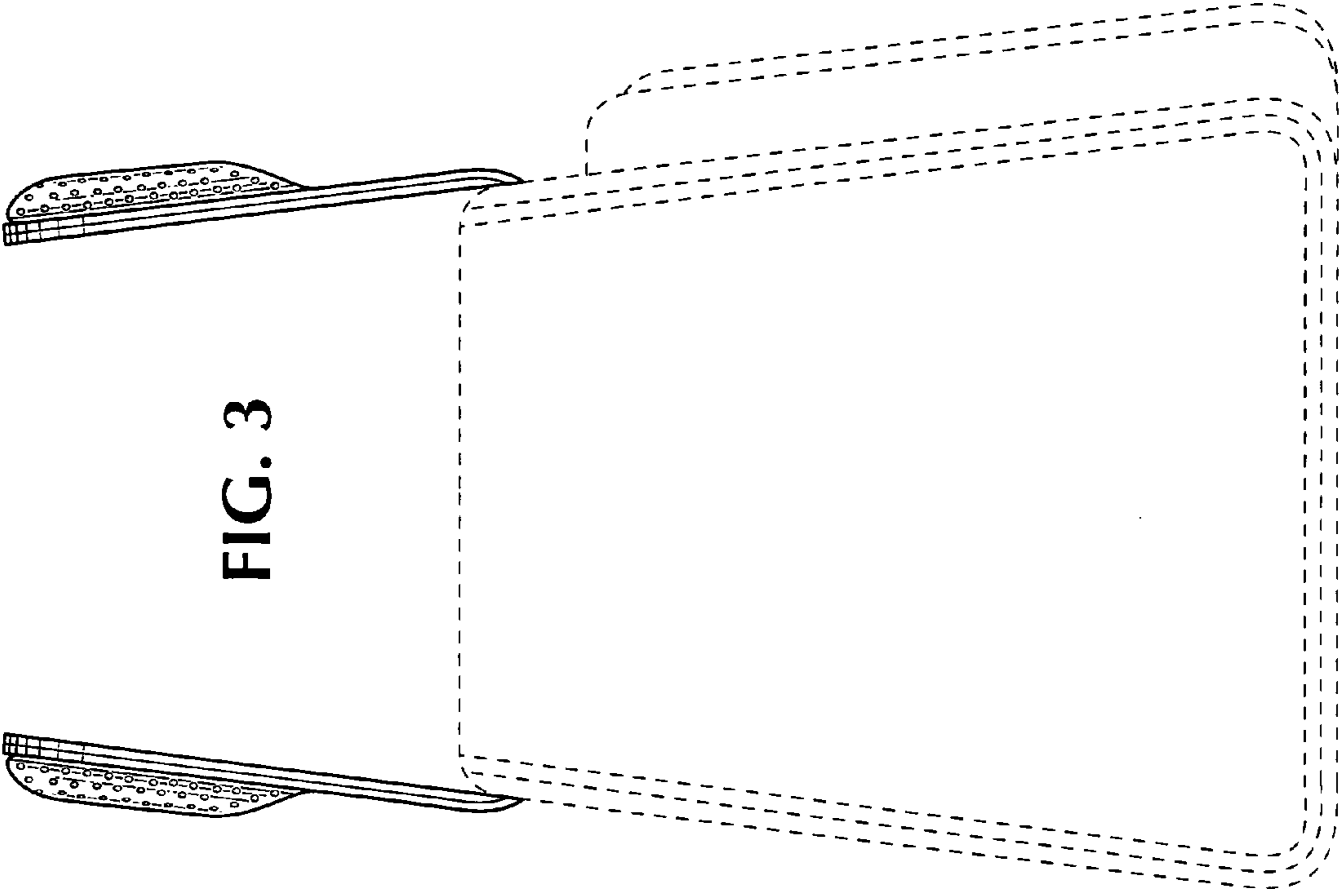


FIG. 3

FIG. 4

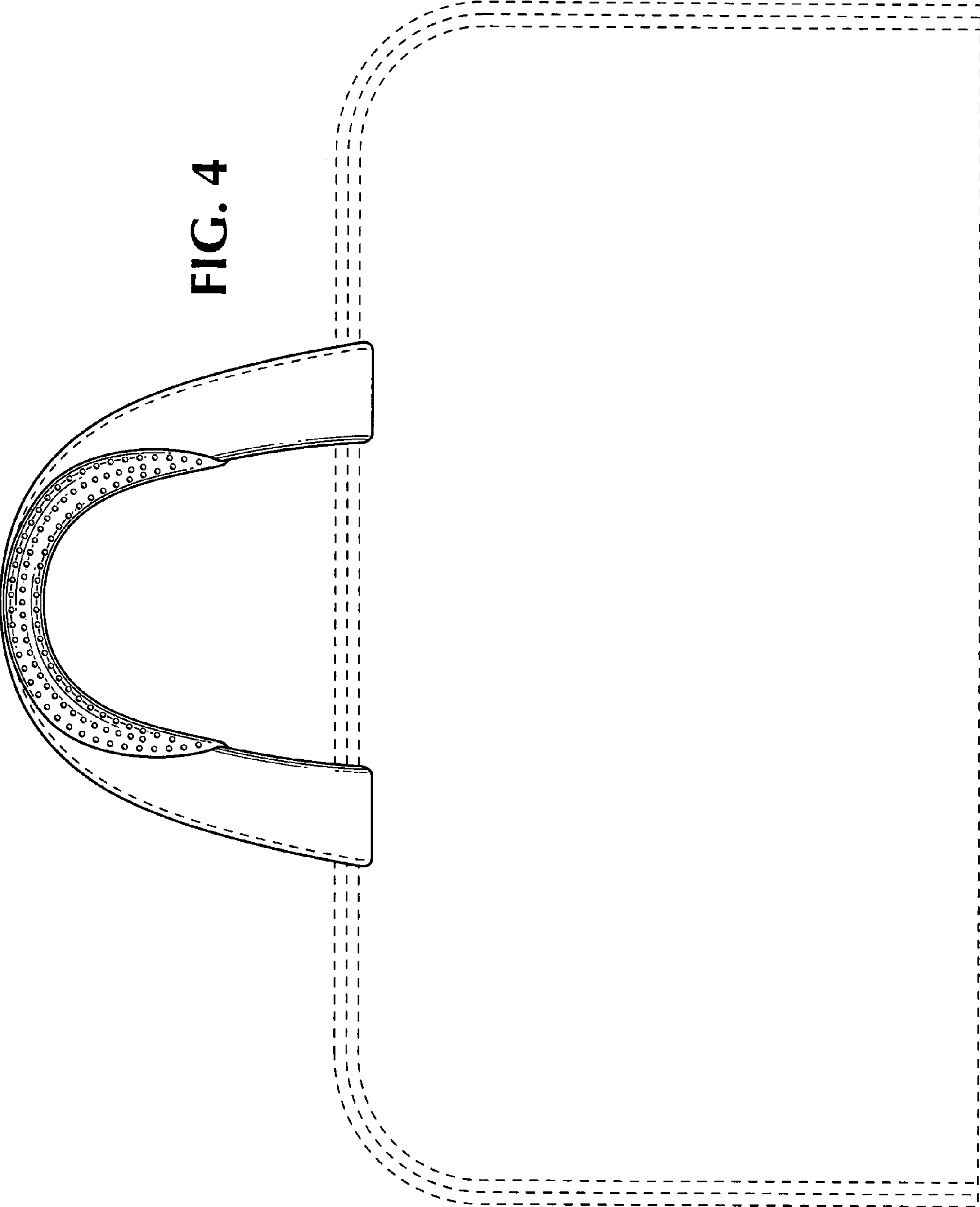


FIG. 6

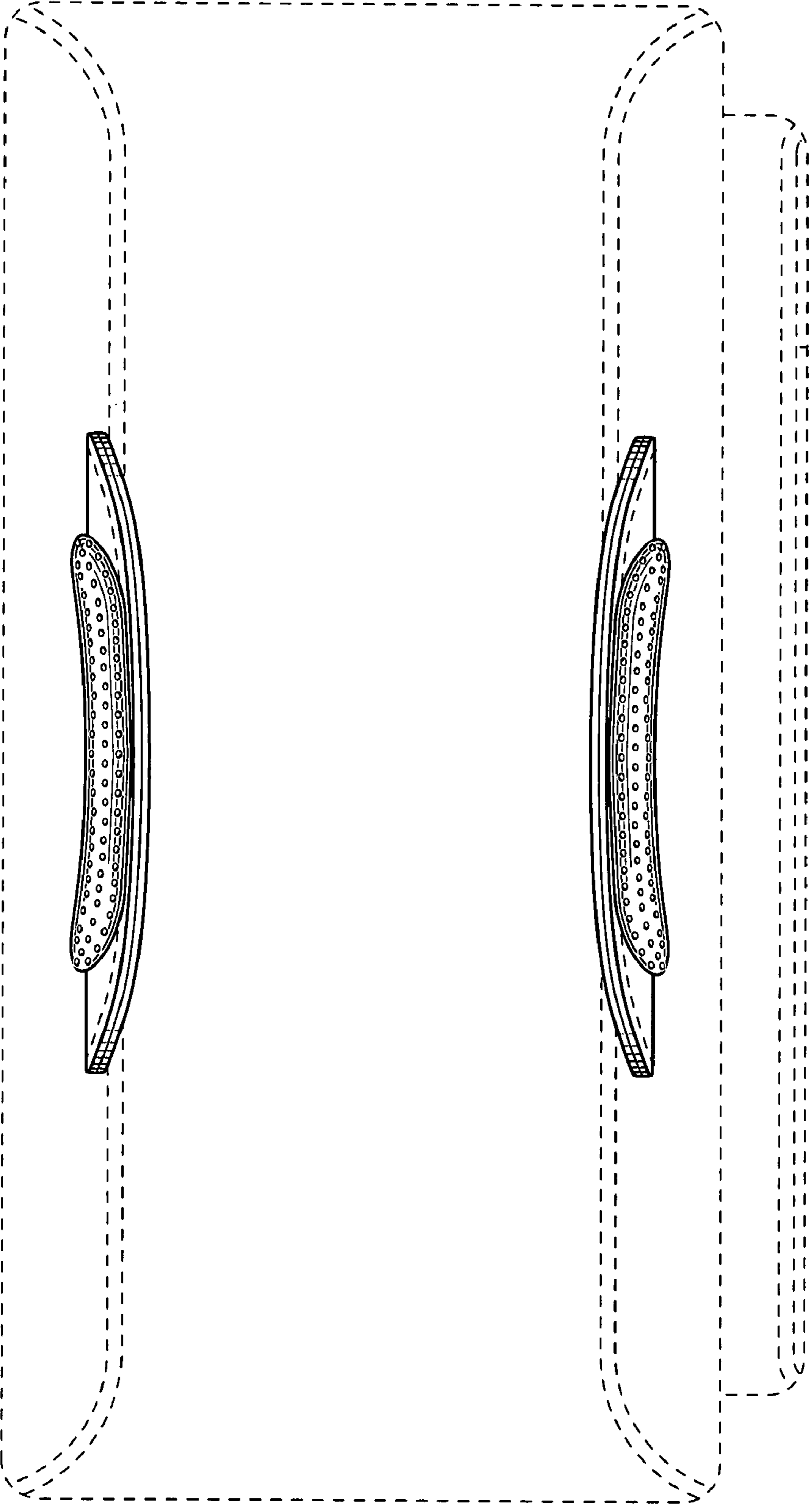


FIG. 7

