



US00D554367S

(12) **United States Design Patent**
Chou et al.

(10) **Patent No.:** **US D554,367 S**

(45) **Date of Patent:** **** Nov. 6, 2007**

(54) **PACKAGE FOR CONTACT LENSES**

D441,284 S * 5/2001 Saur et al. D3/264
D514,442 S * 2/2006 Lowe D9/428

(75) Inventors: **Yu-Jan Chou**, Taipei (TW); **Ming Lee**,
Tu Cheng (TW)

* cited by examiner

(73) Assignee: **St. Shine Optical Co., Ltd.**, Hsi Chih,
Taipei Hsien (TW)

Primary Examiner—Ian Simmons

Assistant Examiner—Dana Sipos

(74) *Attorney, Agent, or Firm*—Patterson, Thunte, Skaar &
Christensen, P.A.

(**) Term: **14 Years**

(21) Appl. No.: **29/204,756**

(57) **CLAIM**

(22) Filed: **May 4, 2004**

We claim the ornamental design of a package for contact lenses, as shown and described.

(51) **LOC (8) Cl.** **03-01**

(52) **U.S. Cl.** **D3/264**

(58) **Field of Classification Search** D9/500,
D9/502, 503, 505, 549, 557, 558, 562; D3/201,
D3/203.1, 203.2, 205, 219, 263, 264, 265,
D3/901; D24/120, 216, 217, 218, 224, 226;
D28/73, 76, 78, 82, 91

See application file for complete search history.

DESCRIPTION

FIG. 1 is a top perspective view of a package for contact lenses;

FIG. 2 is a front elevational view thereof, the rear elevational view being identical;

FIG. 3 is a top plan view thereof;

FIG. 4 is a bottom plan view thereof; and,

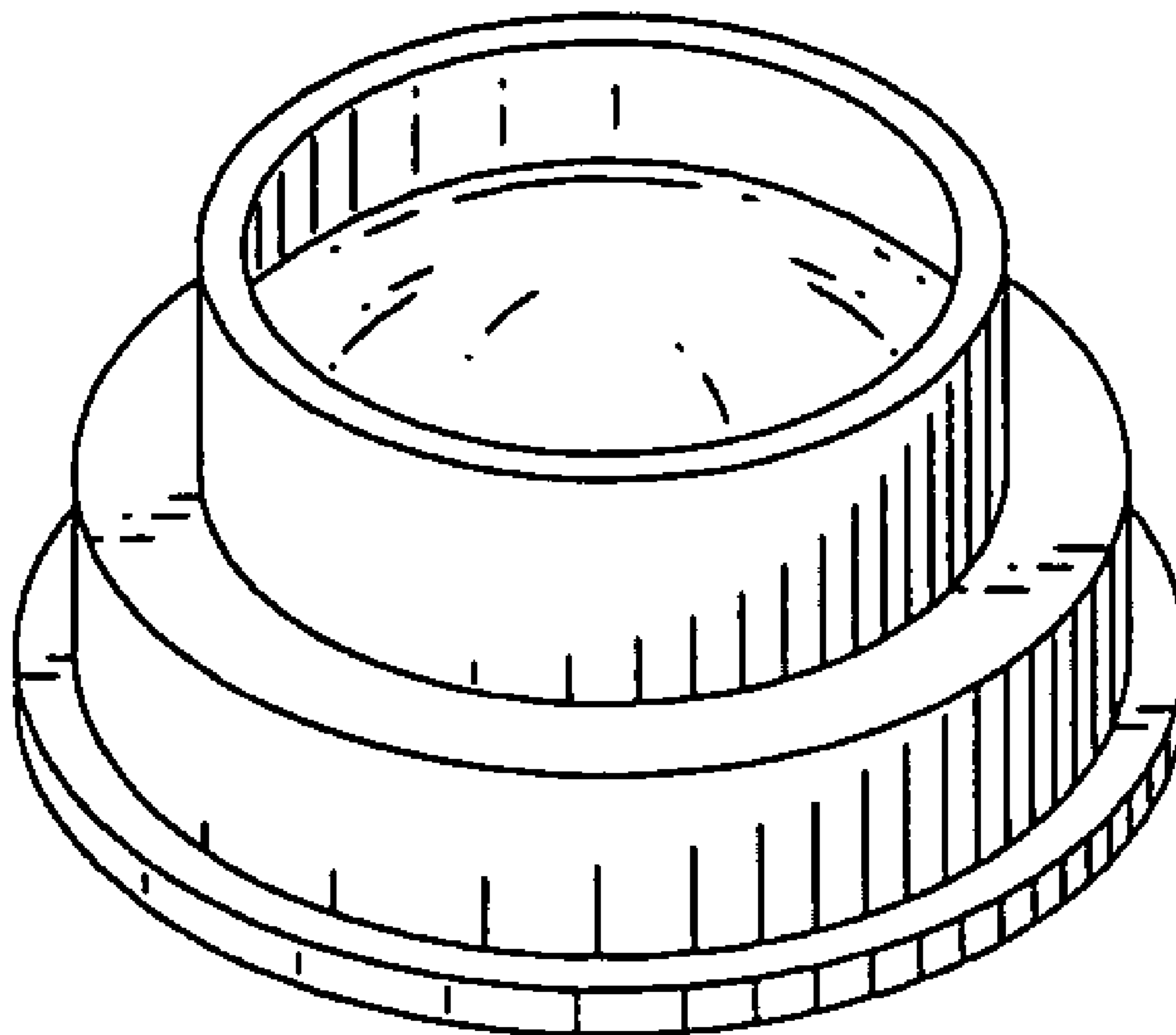
FIG. 5 is a cross sectional view taken along the line 5—5 in FIG. 3.

(56) **References Cited**

U.S. PATENT DOCUMENTS

D252,799 S * 9/1979 Yamaguchi D9/502

1 Claim, 2 Drawing Sheets



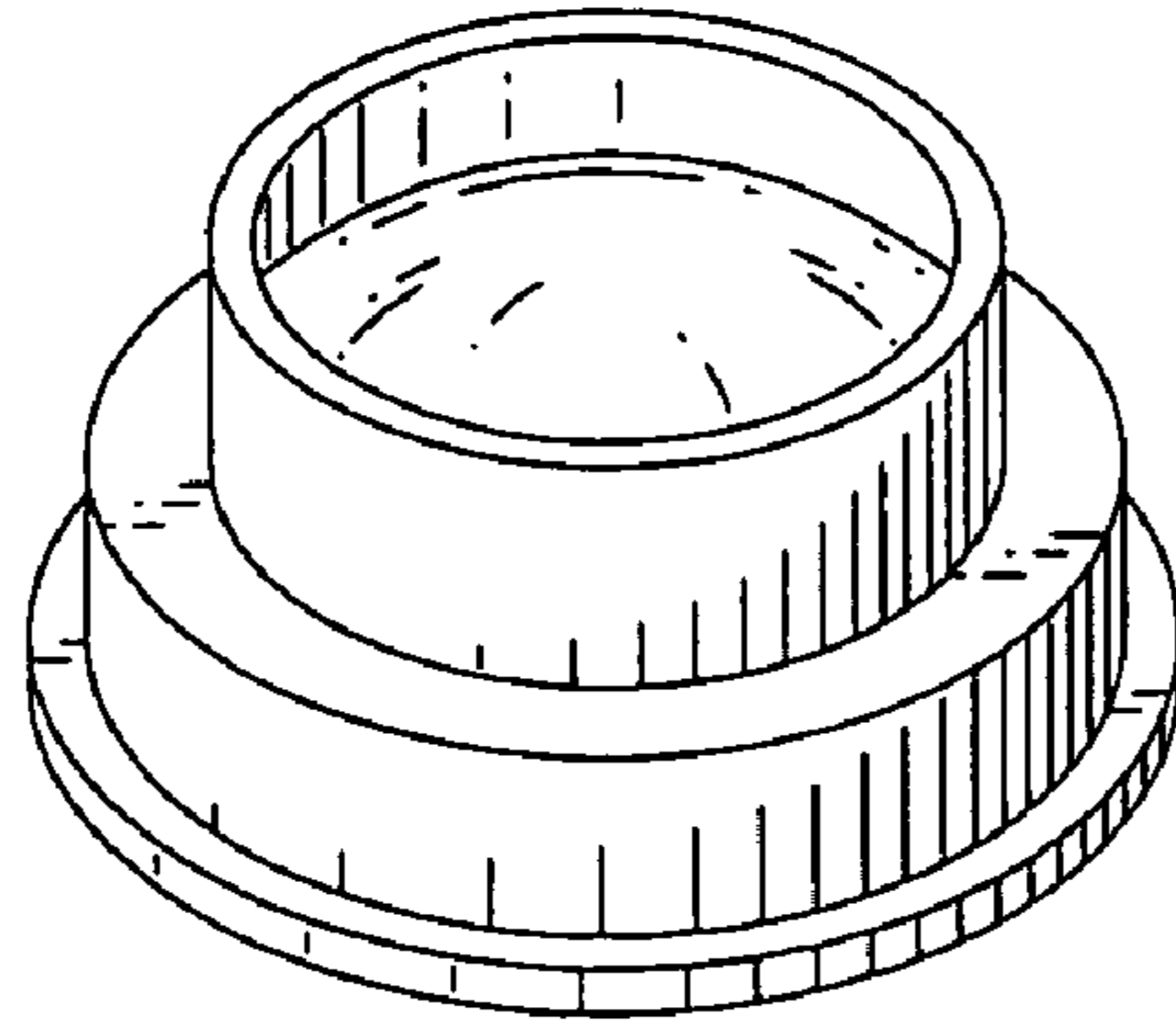


FIG. 1

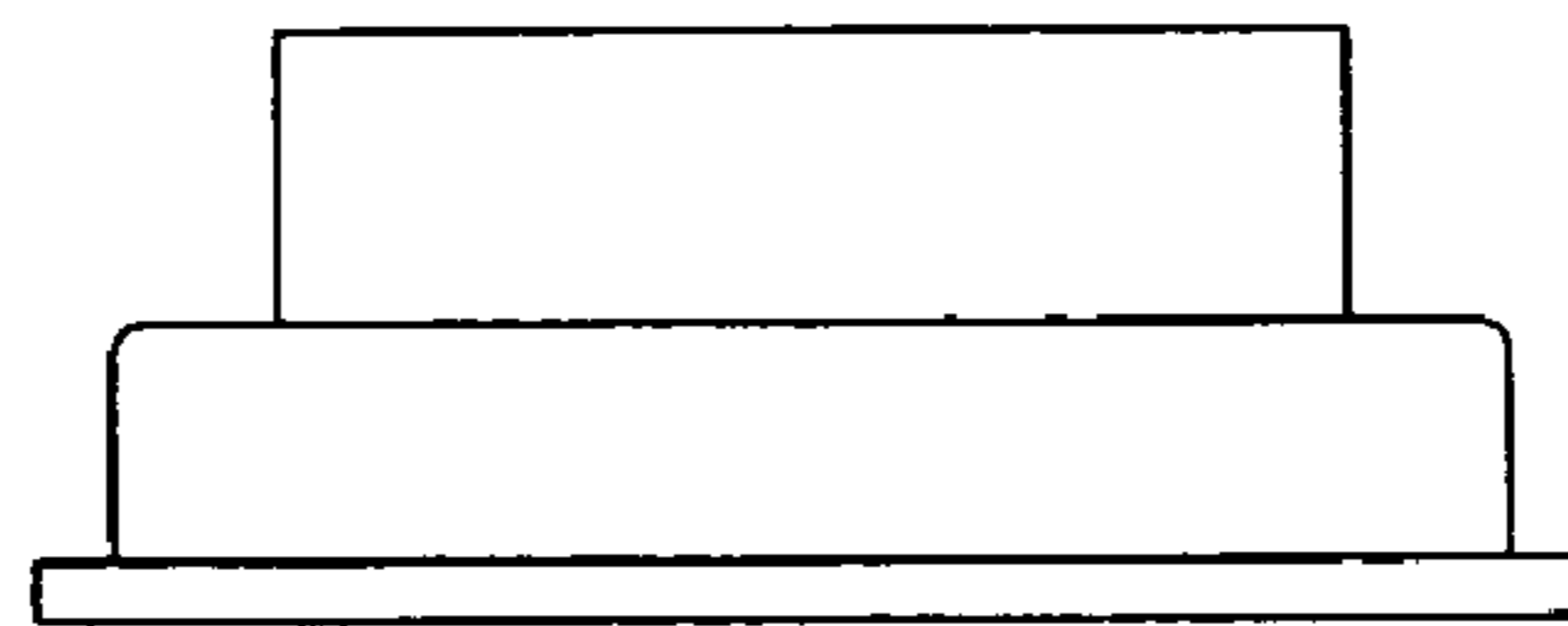


FIG. 2

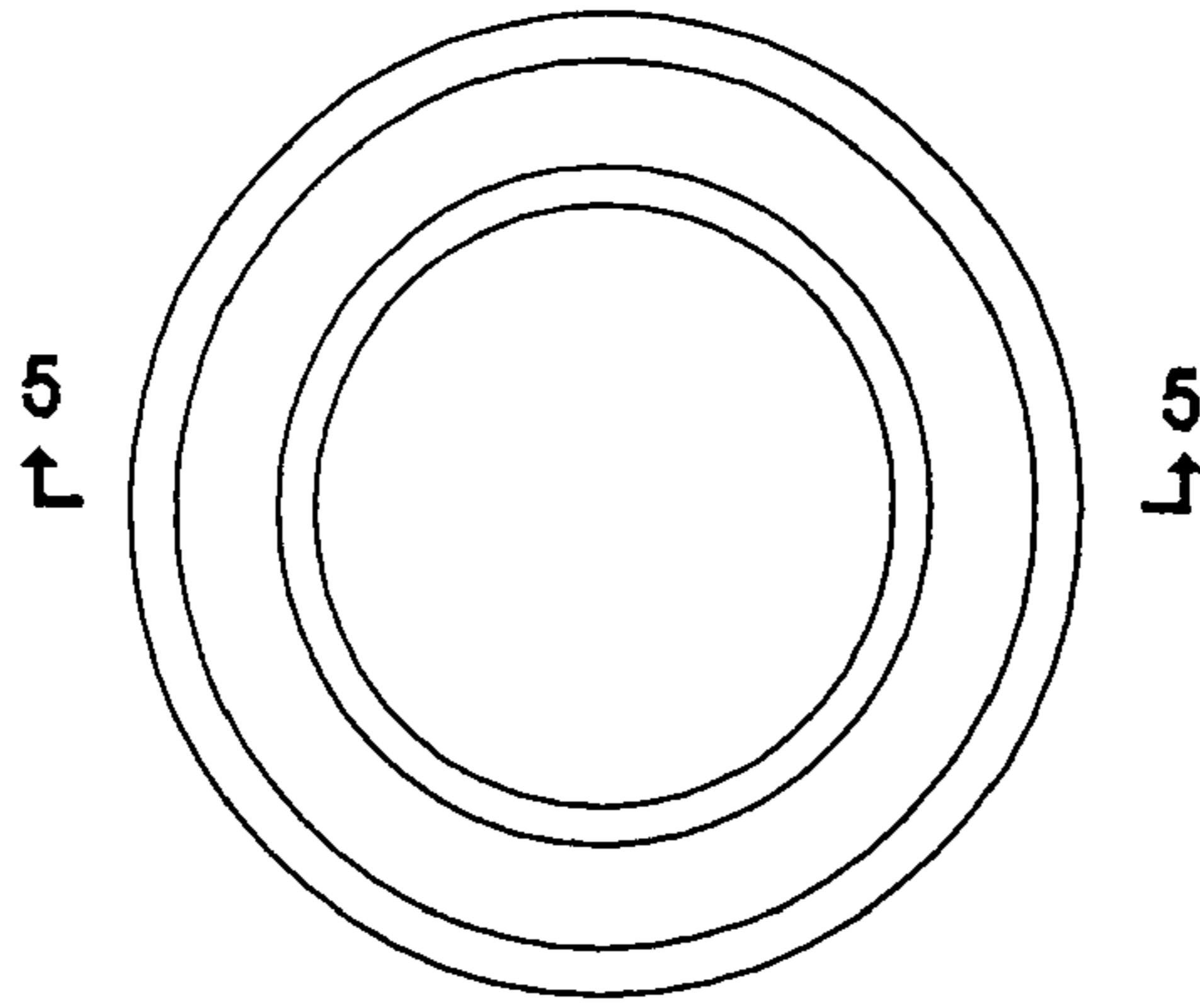


FIG. 3

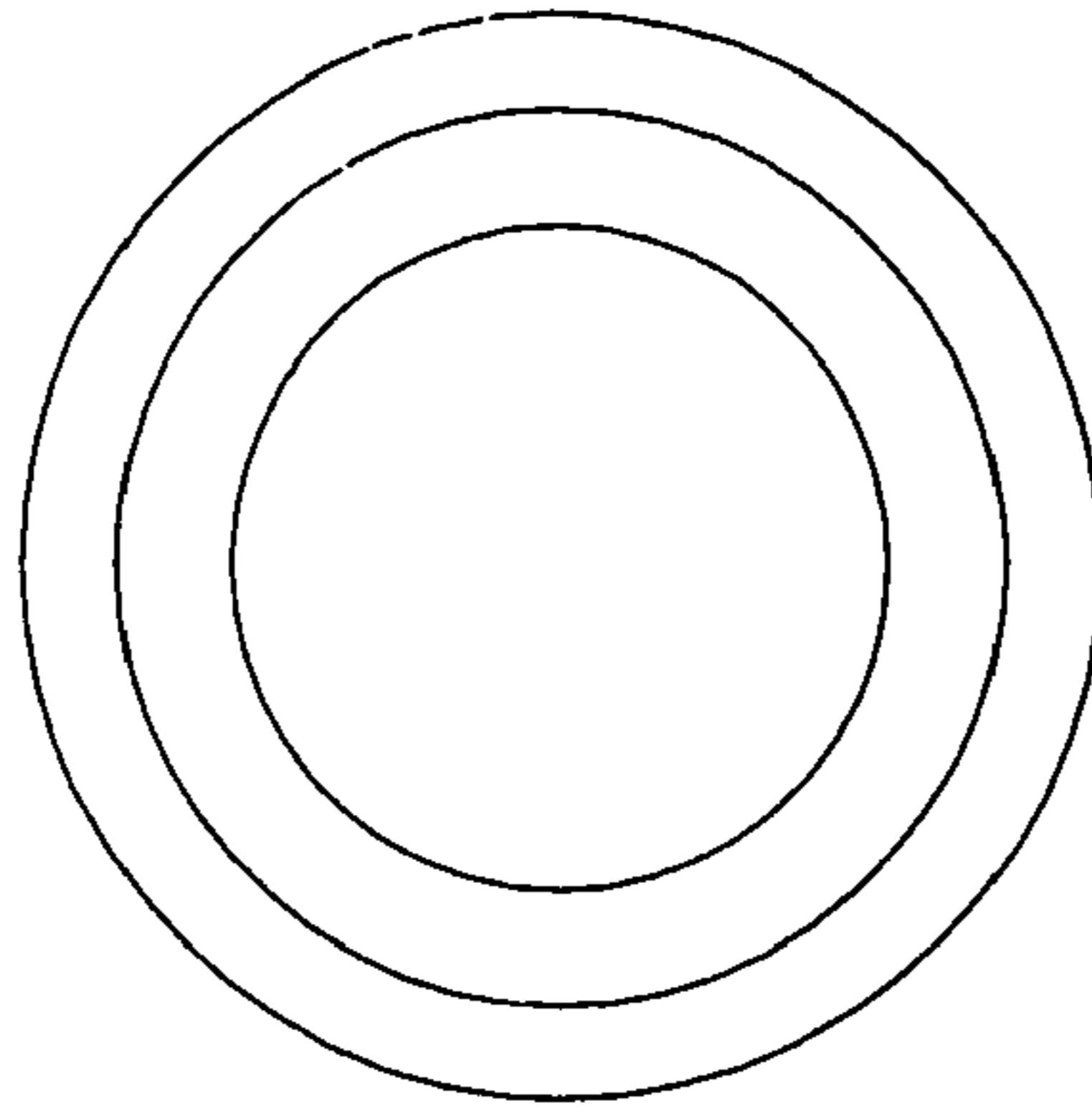


FIG. 4

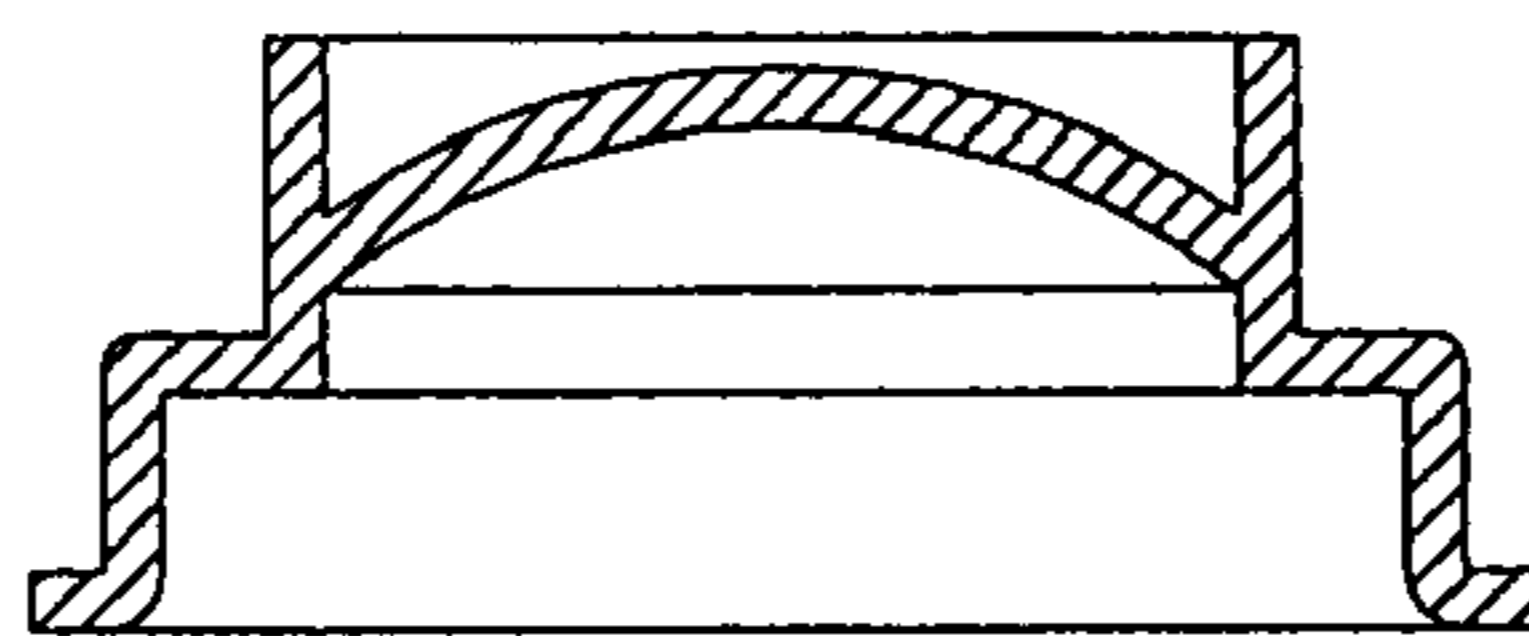


FIG. 5