



US00D554364S

(12) **United States Design Patent** (10) **Patent No.:** **US D554,364 S**
Rugg (45) **Date of Patent:** **** Nov. 6, 2007**

(54) **BACKPACK**

(76) Inventor: **Douglas Rugg**, 125 Industrial Way,
Costa Mesa, CA (US) 92627

(**) Term: **14 Years**

(21) Appl. No.: **29/257,412**

(22) Filed: **Apr. 3, 2006**

(51) **LOC (8) Cl.** **03-01**

(52) **U.S. Cl.** **D3/217**

(58) **Field of Classification Search** D2/823-839;
D3/215-217, 221, 224, 254, 274, 284, 301,
D3/904

See application file for complete search history.

(56) **References Cited**

U.S. PATENT DOCUMENTS

| | | | | | |
|-----------|------|---------|--------------|-------|---------|
| 1,426,024 | A * | 8/1922 | Thureson | | 2/94 |
| D323,237 | S * | 1/1992 | Zoltie | | D2/831 |
| D340,134 | S * | 10/1993 | Pollack | | D3/217 |
| D426,051 | S * | 6/2000 | Bugel et al. | | D2/830 |
| 6,131,199 | A * | 10/2000 | Bugel et al. | | 2/102 |
| 6,336,222 | B1 * | 1/2002 | Ware | | 2/94 |
| 6,932,256 | B2 * | 8/2005 | Hale et al. | | 224/637 |

* cited by examiner

Primary Examiner—Ian Simmons

Assistant Examiner—Anna J. Burmeister

(74) *Attorney, Agent, or Firm*—Daniel J. Meaney, Jr.

(57) **CLAIM**

The backpack, as shown and described.

DESCRIPTION

FIG. 1 is a front, top, left side perspective view of the backpack, showing my new design;

FIG. 2 is a bottom, rear and left side perspective view thereof;

FIG. 3 is a front elevational thereof;

FIG. 4 is a right side elevational view thereof;

FIG. 5 is a left side elevational view thereof;

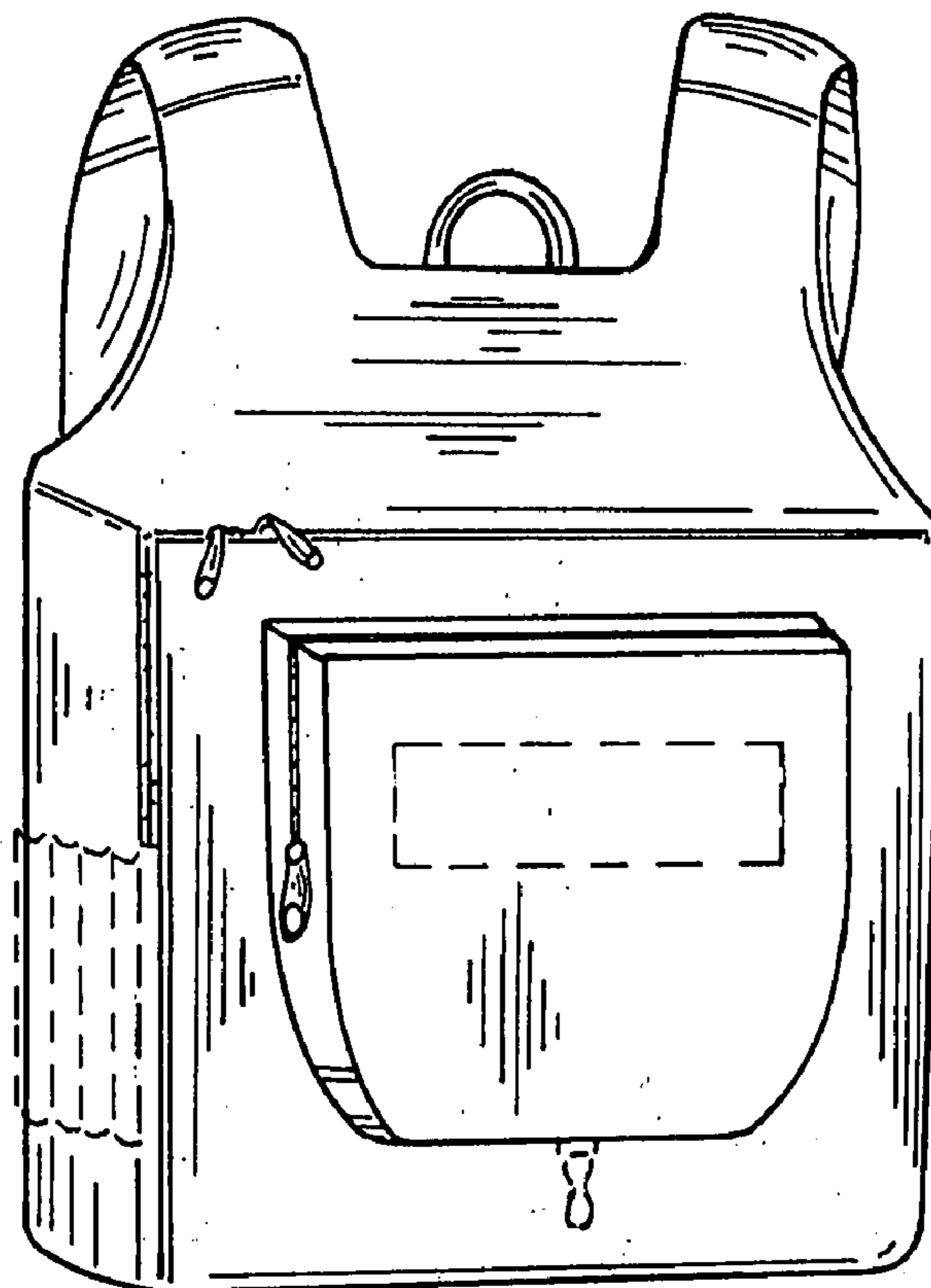
FIG. 6 is a top plan view thereof;

FIG. 7 is a bottom plan view thereof; and,

FIG. 8 is a rear plan view thereof.

The broken lines shown in the drawings are for illustrative purposes only and form no part of the claimed design.

1 Claim, 2 Drawing Sheets



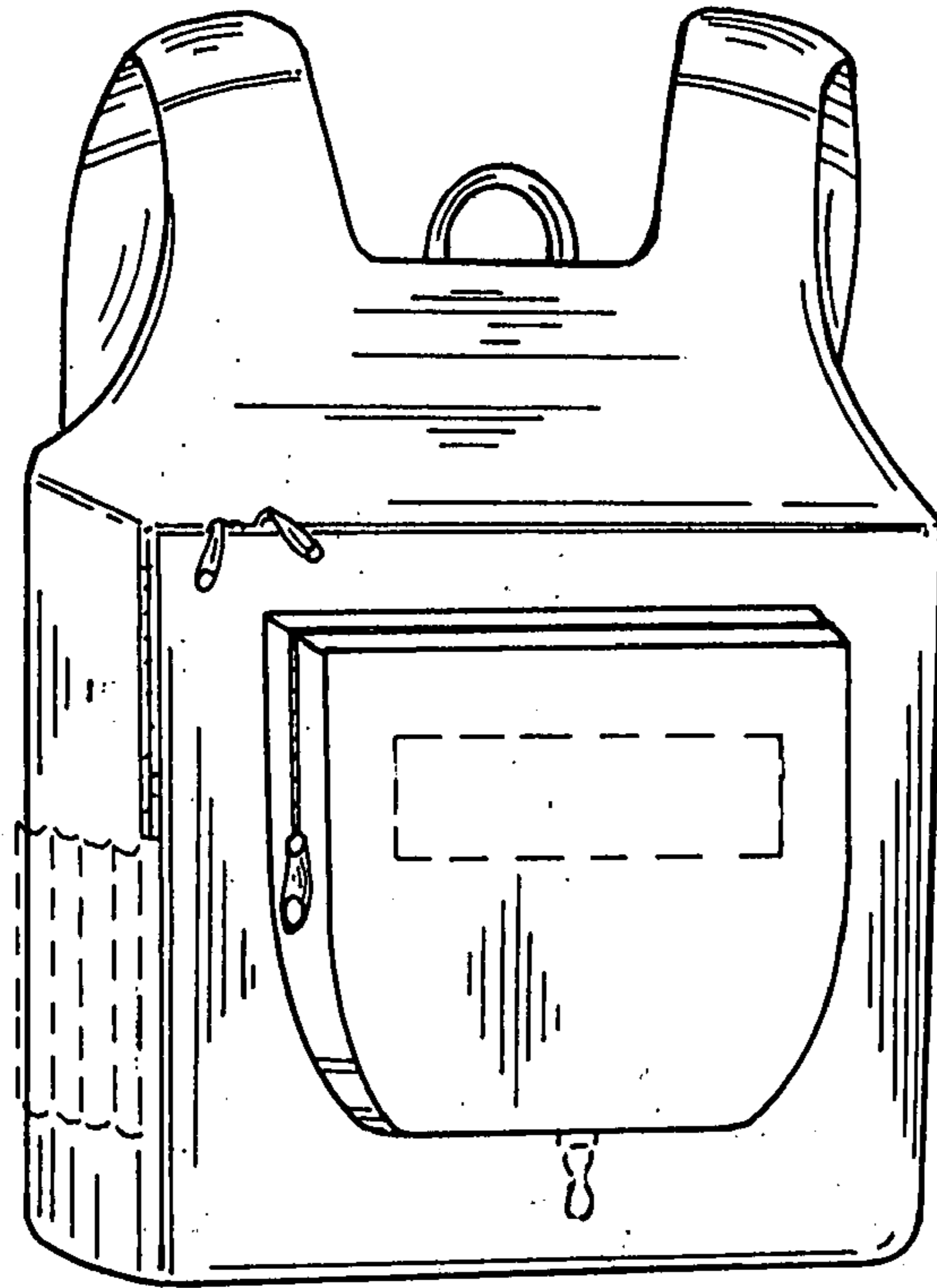


Fig 1

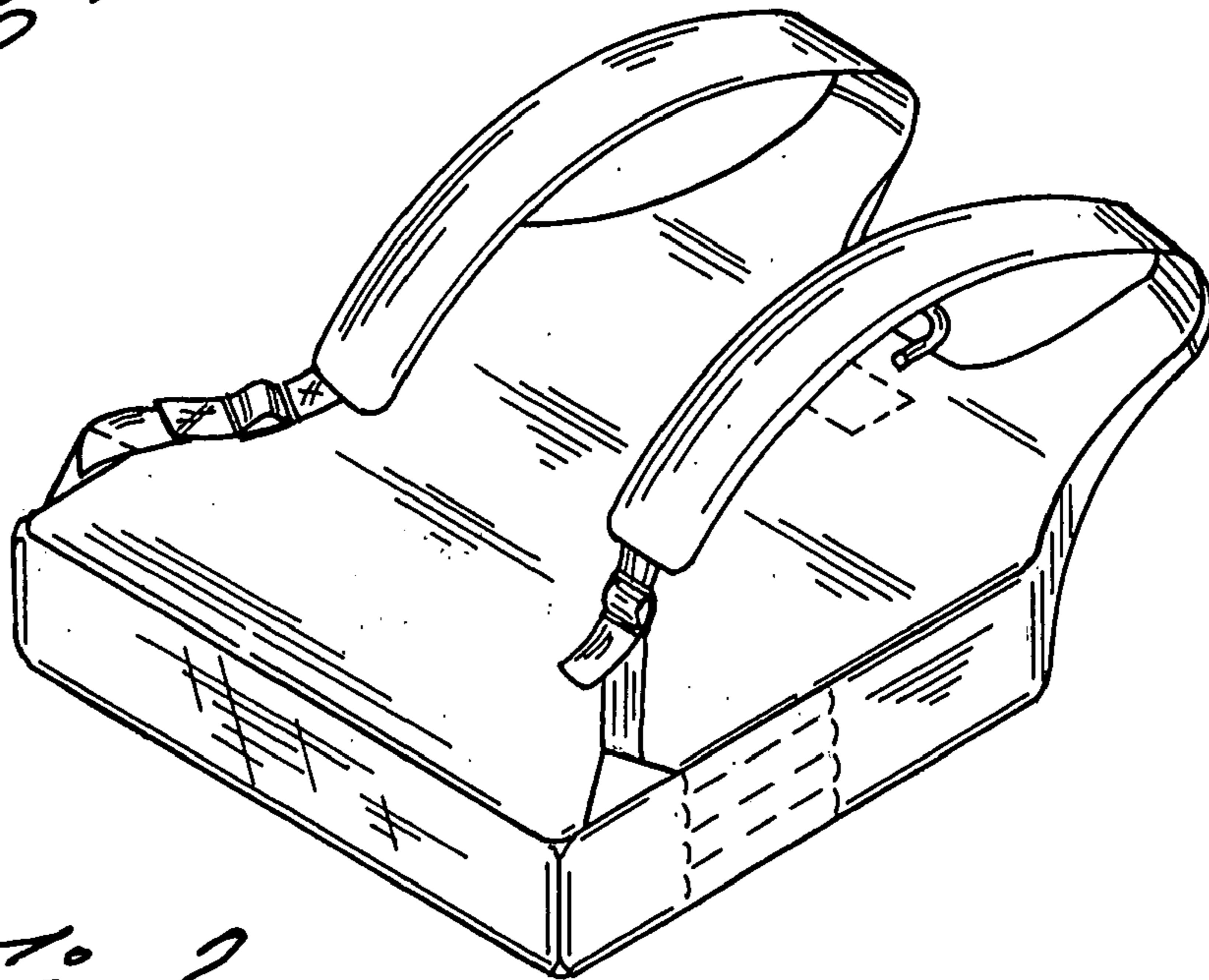


Fig 2

Fig 6

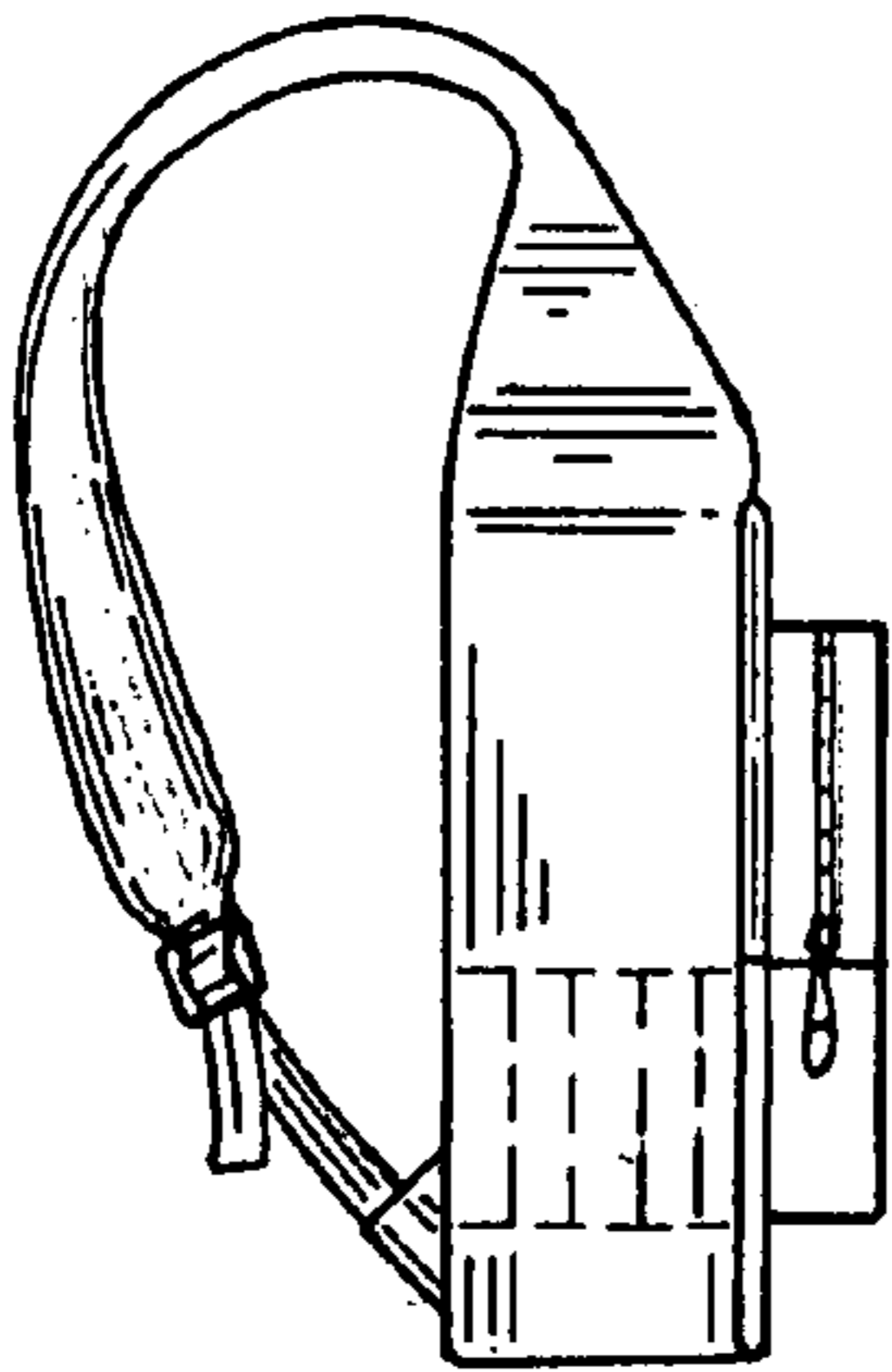
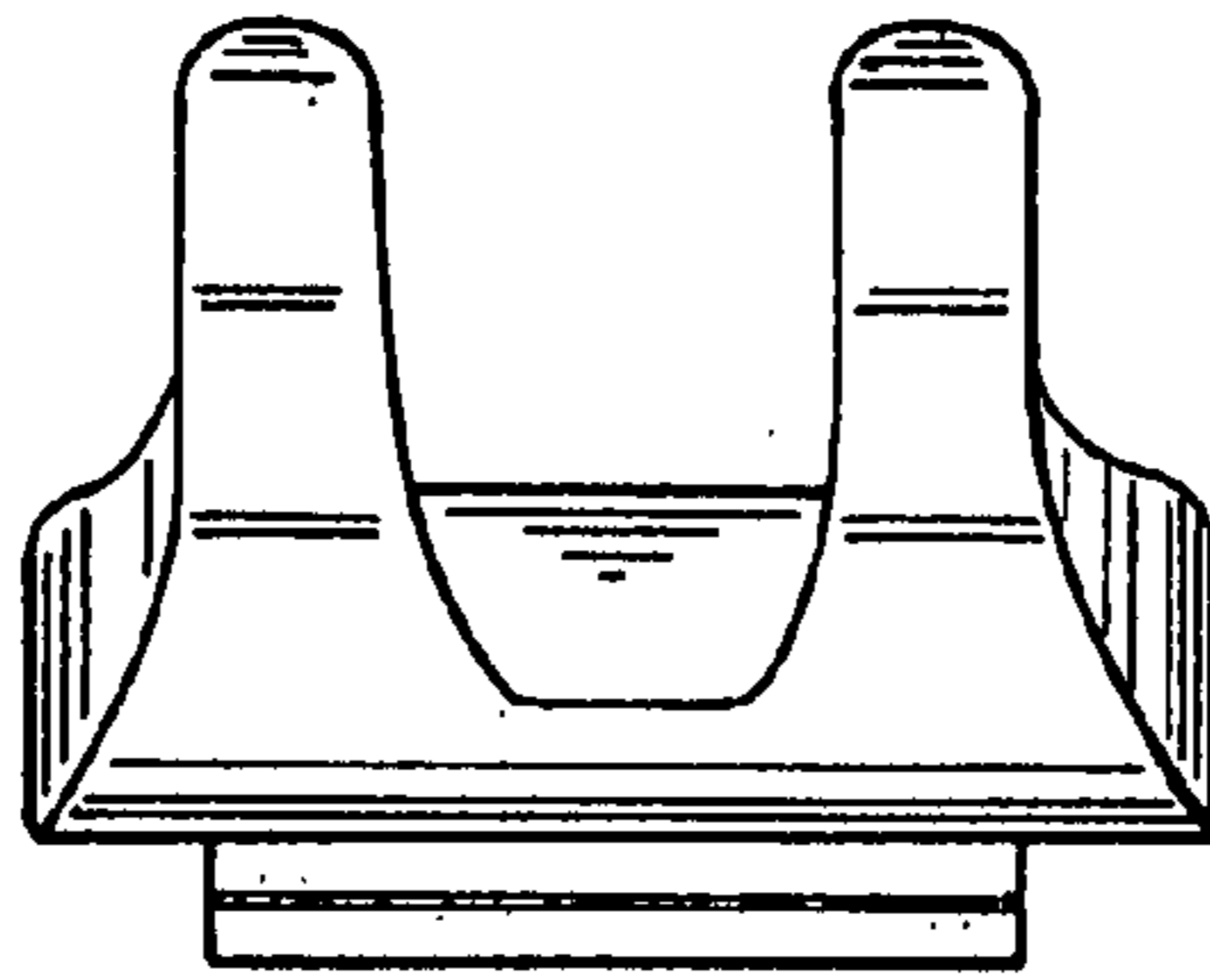


Fig 5

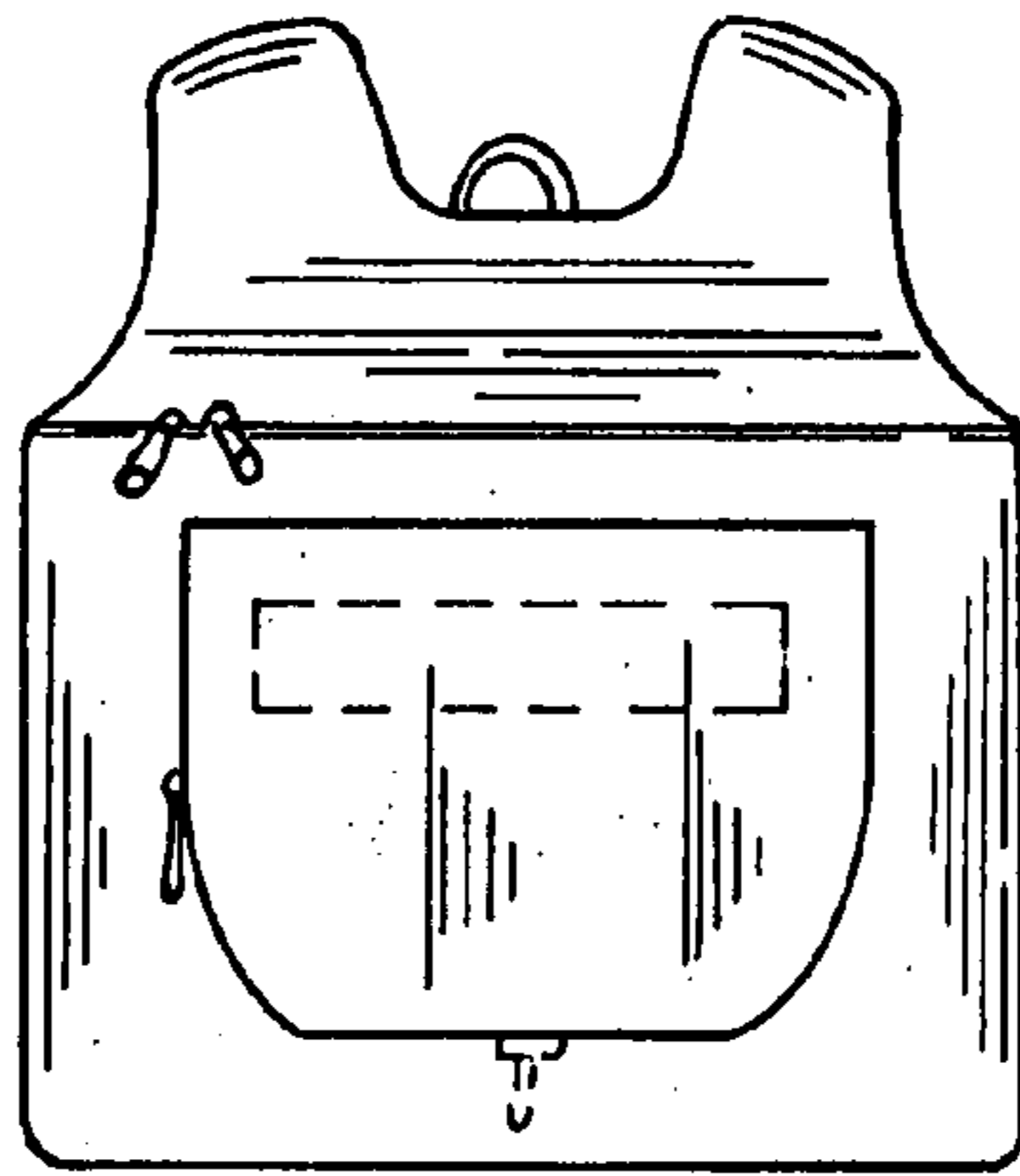


Fig 3

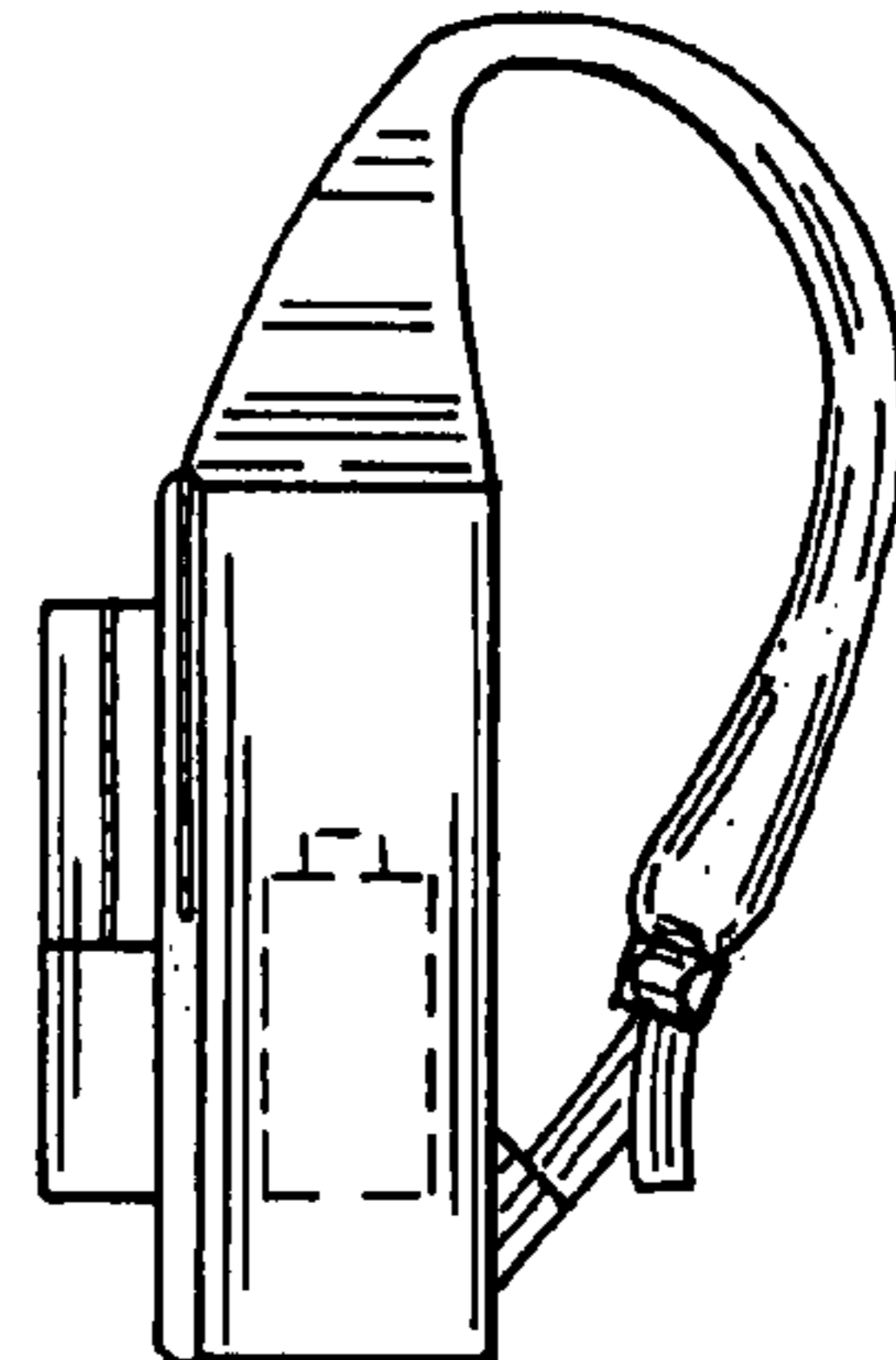


Fig 4

Fig 7

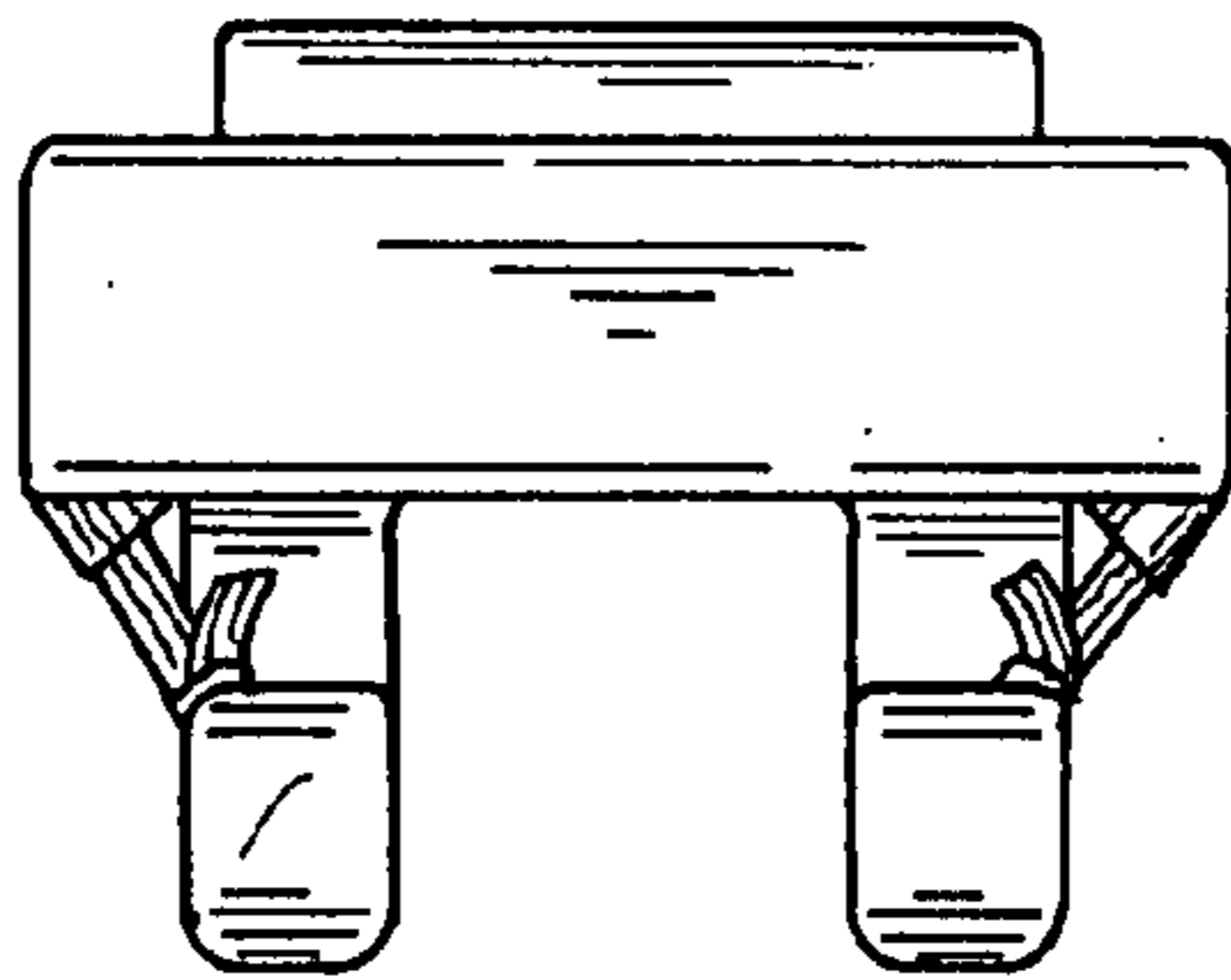


Fig 8

