



US00D554363S

(12) **United States Design Patent**
Bates et al.

(10) **Patent No.:** **US D554,363 S**

(45) **Date of Patent:** **** Nov. 6, 2007**

(54) **FOB**

(75) Inventors: **Peter Kirwan Bates**, Framingham, MA (US); **David S. Bonalle**, New Rochelle, NY (US); **Gail A. Francolini**, Fairfield, CT (US); **Samantha S. Ing**, New York, NY (US); **Danielle L. Kunian**, New York, NY (US); **Leigh R. Malnati**, Mountain Lakes, NJ (US); **Danielle R. Nulle**, Atlantic Highlands, NJ (US); **Steven A. Rank**, New York, NY (US); **Lisa E. Skilling-Belmond**, New York, NY (US); **Lisa A. Webb**, Darien, CT (US); **Kevin Young**, South Boston, MA (US)

(73) Assignee: **American Express Travel Related Services Company, Inc.**, New York, NY (US)

(**) Term: **14 Years**

(21) Appl. No.: **29/272,338**

(22) Filed: **Feb. 6, 2007**

Related U.S. Application Data

(63) Continuation of application No. 29/224,791, filed on Mar. 7, 2005, now Pat. No. Des. 543,351.

(51) **LOC (8) Cl.** **03-01**

(52) **U.S. Cl.** **D3/207**

(58) **Field of Classification Search** D3/207-212;
206/37.1, 38.1; 150/147; 70/456 R, 456 B,
70/458-459; 24/3 K, 3.6, 100; D11/44,
D11/48

See application file for complete search history.

(56) **References Cited**

U.S. PATENT DOCUMENTS

2,181,281 A * 11/1939 Morin 40/618

D246,875 S * 1/1978 Ellison D3/208
D258,921 S * 4/1981 Brentini D3/207
D310,449 S * 9/1990 Agrippino D3/208
D395,693 S * 6/1998 Yuki D11/221
D479,811 S * 9/2003 Yamazaki et al. D11/221
D483,295 S * 12/2003 Ritter D11/221
D541,040 S * 4/2007 Cui D3/207

* cited by examiner

Primary Examiner—Ralf Seifert

(74) *Attorney, Agent, or Firm*—McDermott Will & Emery LLP

(57) **CLAIM**

The ornamental design for a fob, as shown.

DESCRIPTION

FIG. 1 is an isometric perspective view of an embodiment of a new design of the present invention;

FIG. 2 is a top plan view of the new design of the present invention shown in FIG. 1;

FIG. 3 is a bottom plan view of the new design of the present invention shown in FIG. 1;

FIG. 4 is a right side view of the new design of the present invention shown in FIG. 1;

FIG. 5 is a left side view of the new design of the present invention shown in FIG. 1;

FIG. 6 is a top end view of the new design of the present invention shown in FIG. 1; and,

FIG. 7 is a bottom end view of the new design of the present invention shown in FIG. 1.

1 Claim, 3 Drawing Sheets

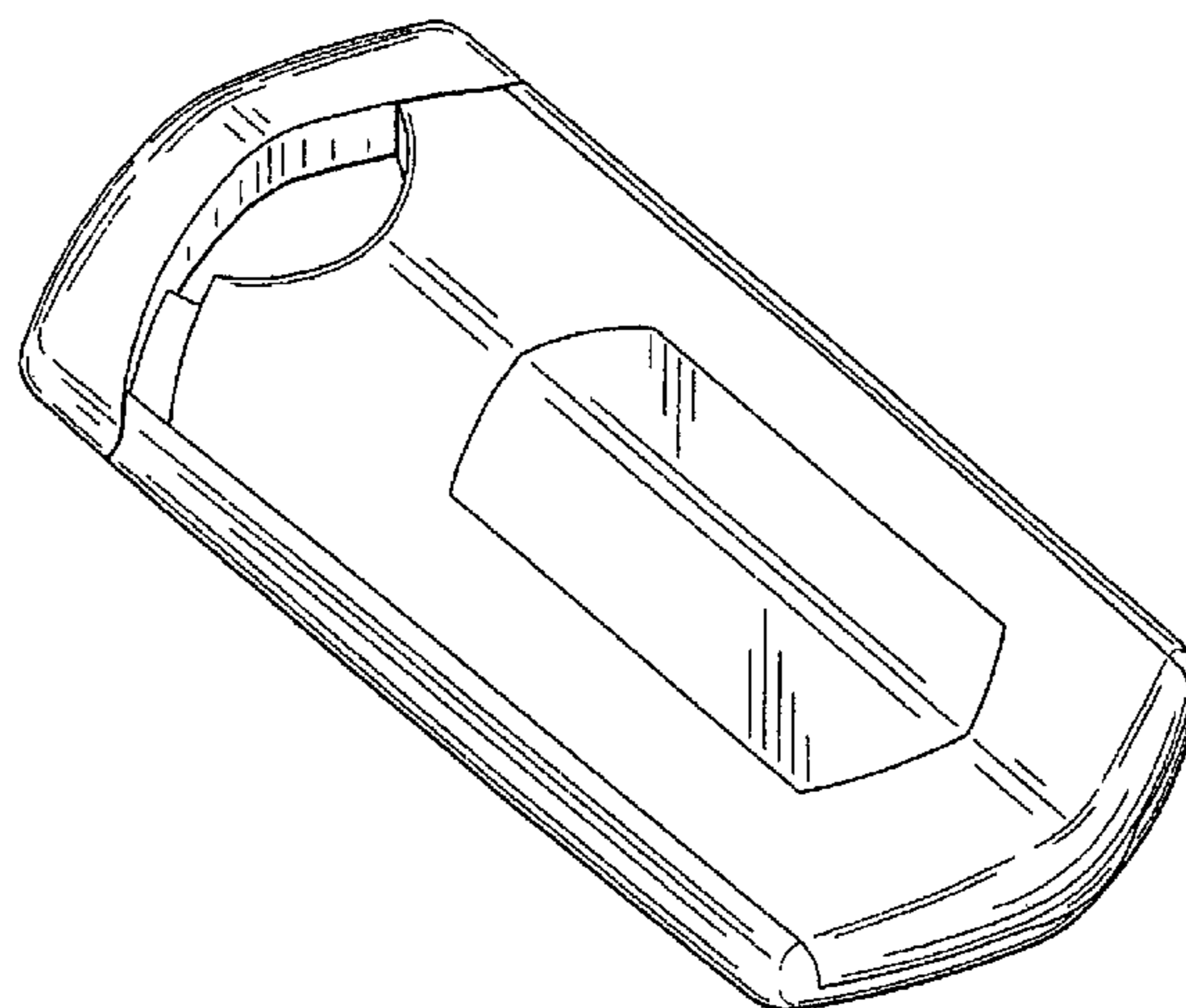
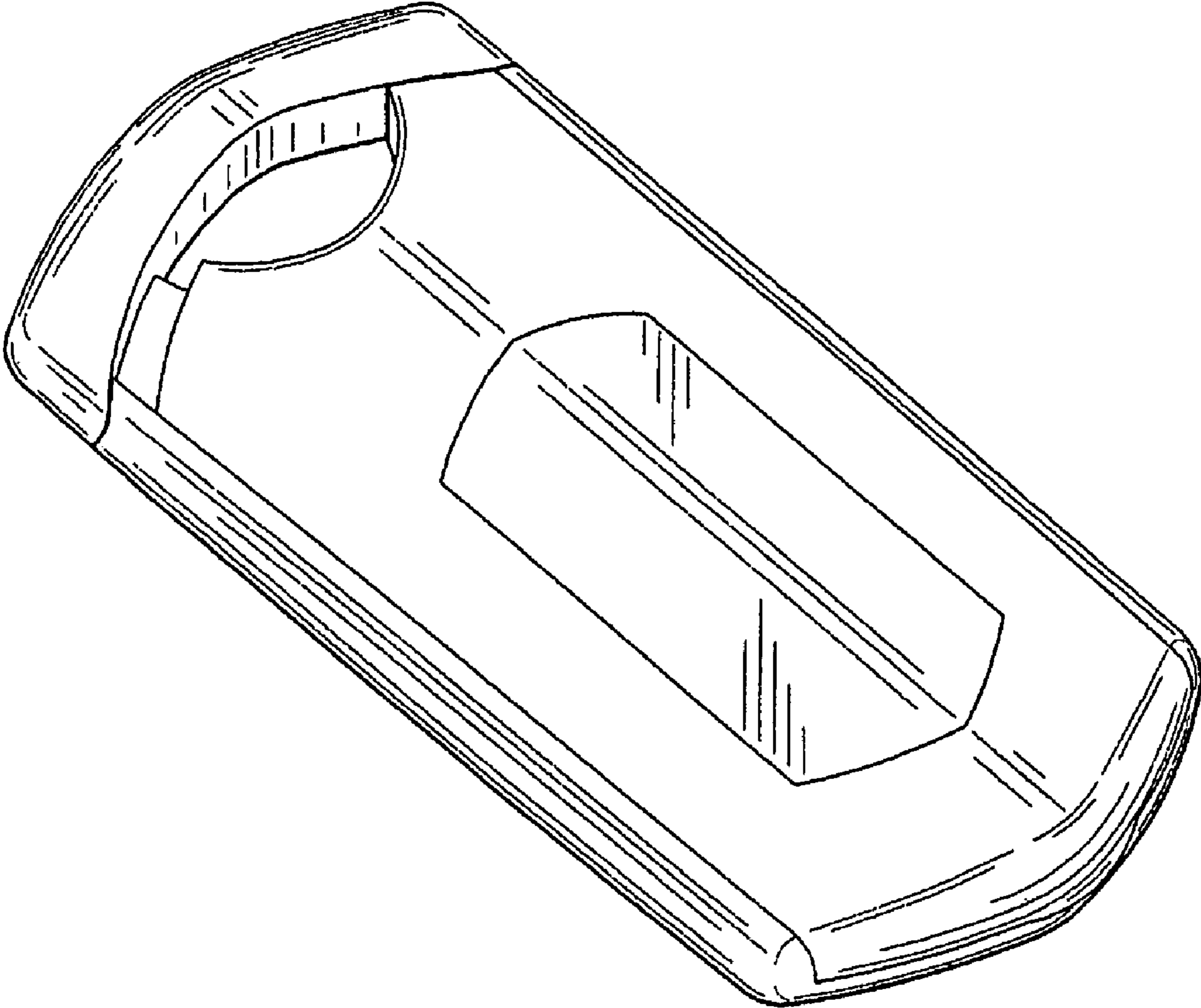


FIG. 1



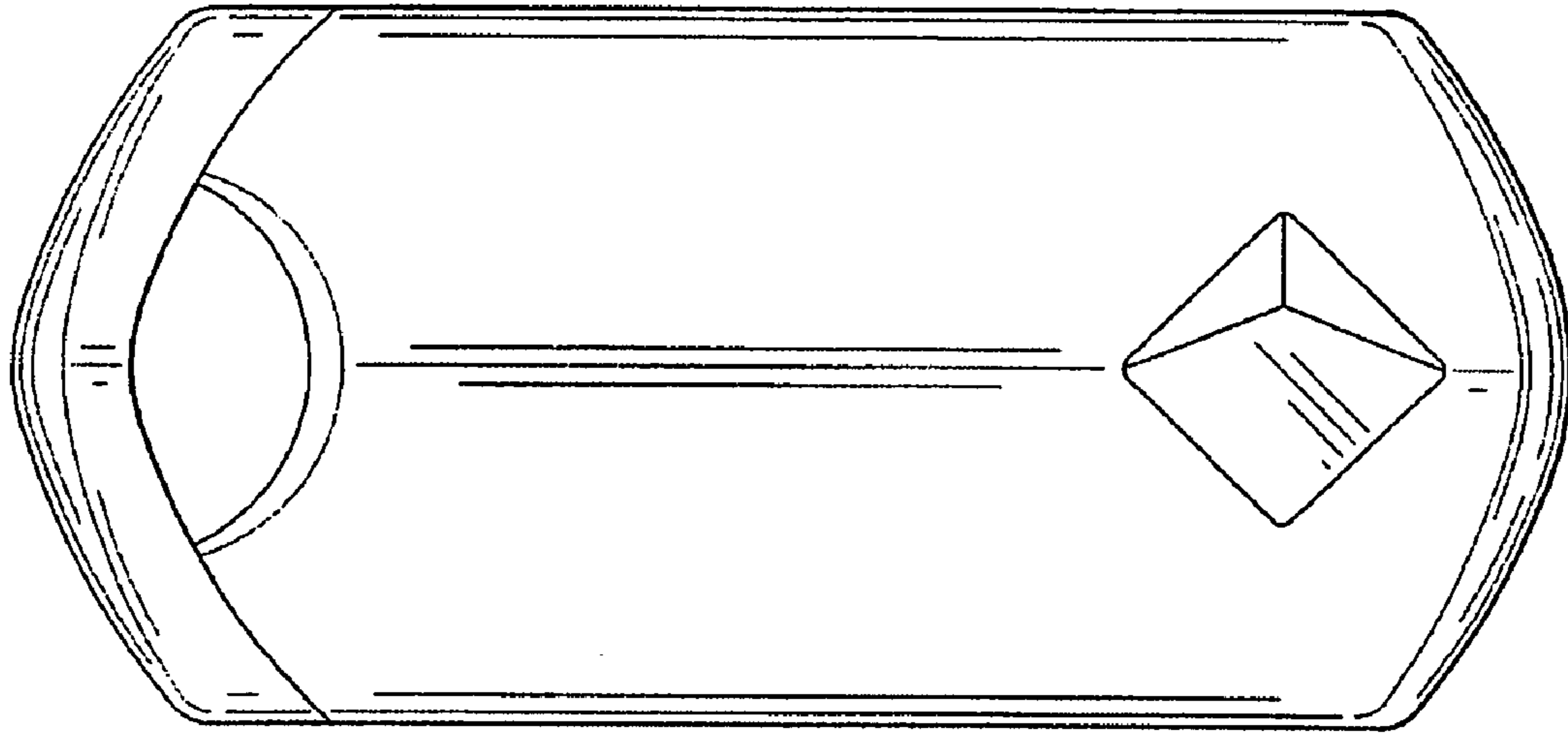


FIG. 3

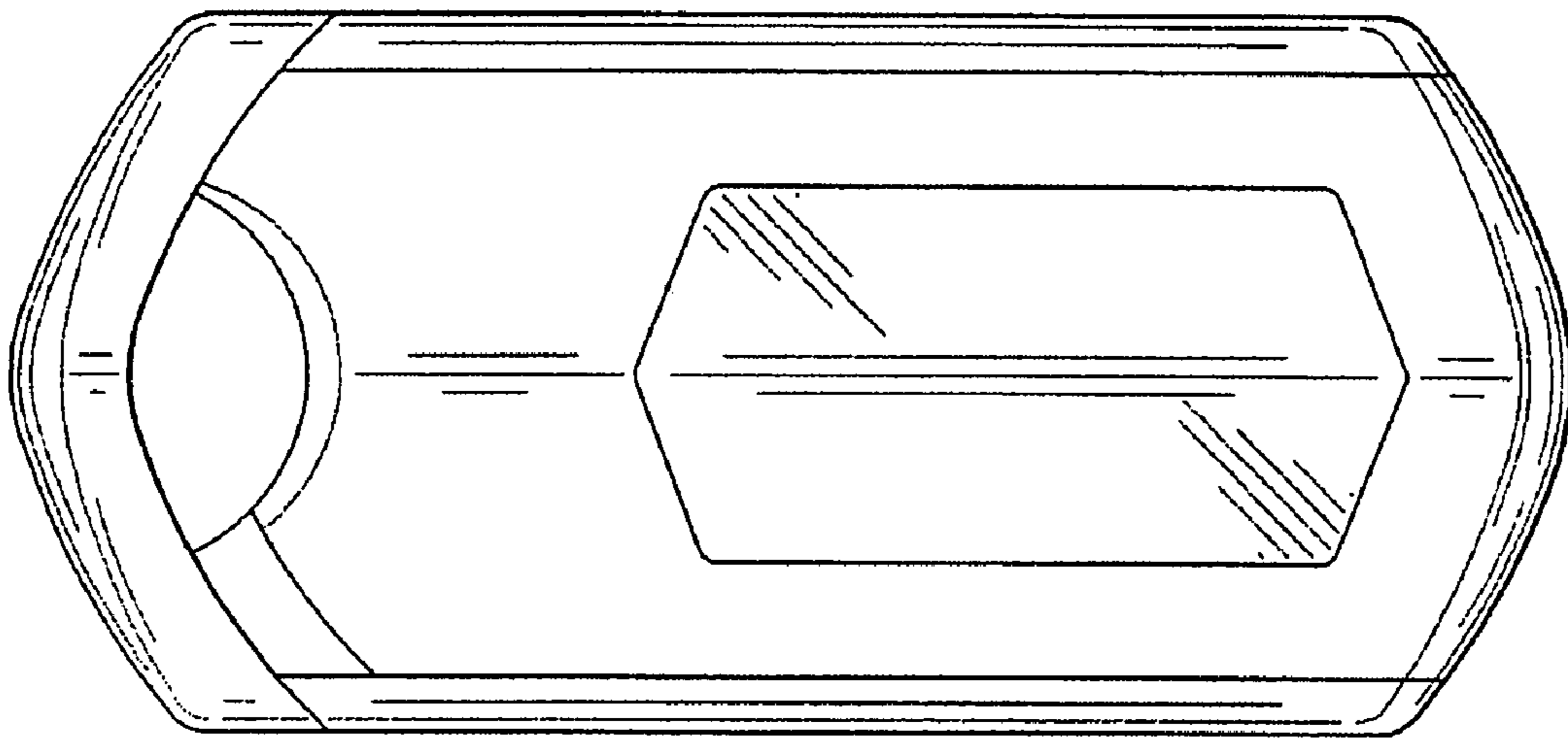


FIG. 2

FIG. 4



FIG. 5

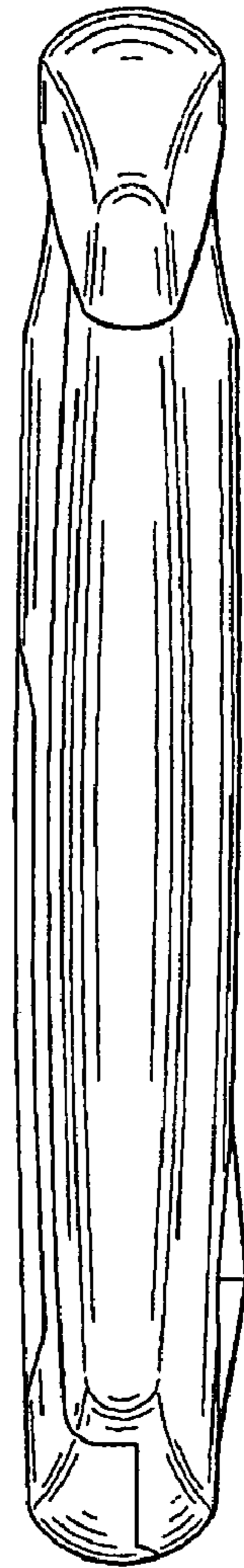


FIG. 6



FIG. 7

