



US00D554359S

(12) **United States Design Patent**
Buchanan

(10) **Patent No.:** **US D554,359 S**

(45) **Date of Patent:** **** Nov. 6, 2007**

(54) **SPINCAST-STYLE REEL AND REEL SEAT
UMBRELLA HANDLE**

(75) Inventor: **Wiley P. Buchanan**, Springfield, MO
(US)

(73) Assignee: **Randall E. Arnall**, Springfield, MO
(US)

(**) Term: **14 Years**

(21) Appl. No.: **29/271,714**

(22) Filed: **Jan. 25, 2007**

(51) **LOC (8) Cl.** **03-03**

(52) **U.S. Cl.** **D3/10**

(58) **Field of Classification Search** D3/5-17;
135/15.1, 20.1, 15, 16, 99, 20.3, 21, 24, 25.41;
D22/137-143; 242/310, 311; 43/20, 22
See application file for complete search history.

(56) **References Cited**

U.S. PATENT DOCUMENTS

3,038,483	A	6/1962	Altsheler	135/16
4,149,553	A	4/1979	Lee	135/24
D252,318	S	7/1979	Kriegner	D8/373
D285,862	S *	9/1986	Levy	D3/10
4,790,338	A	12/1988	Strobl	135/16
4,802,499	A	2/1989	Lisack	135/24
D316,630	S	5/1991	Cain	D3/12
D347,319	S	5/1994	Friedman	D3/13
D377,676	S *	1/1997	Robbins et al.	D22/138
5,609,175	A	3/1997	Gerry et al.	135/16
5,890,506	A	4/1999	Kupferman	135/33.2
D411,655	S *	6/1999	Tung	D3/10
6,061,946	A *	5/2000	Toelken	43/17.5
6,378,238	B1 *	4/2002	Lu	43/20

6,378,239	B1	4/2002	Listvan	43/18.1
6,409,611	B1	6/2002	Louk, Jr.	473/286
6,510,861	B1	1/2003	Mead	135/16
D470,213	S *	2/2003	Smith et al.	D22/138
6,631,728	B2 *	10/2003	Liu	135/20.3
6,637,447	B2	10/2003	McMullin et al.	135/16
D485,978	S	2/2004	Dweck	D3/15
D494,573	S	8/2004	Curtis et al.	D14/234
D521,104	S *	5/2006	Wong	D22/140

* cited by examiner

Primary Examiner—Lou Zarfaz

Assistant Examiner—Anhdao Doan

(74) *Attorney, Agent, or Firm*—Jonathan A. Bay

(57) **CLAIM**

The ornamental design for a spincast-style reel and reel seat umbrella handle, as shown and described.

DESCRIPTION

FIG. 1 is a perspective view of a spincast-style reel and reel seat umbrella handle showing my new design;

FIG. 2 is an enlarged portion of FIG. 1;

FIG. 3 is a front elevational view of FIG. 2;

FIG. 4 is a back elevational view thereof;

FIG. 5 is a left side elevational view thereof;

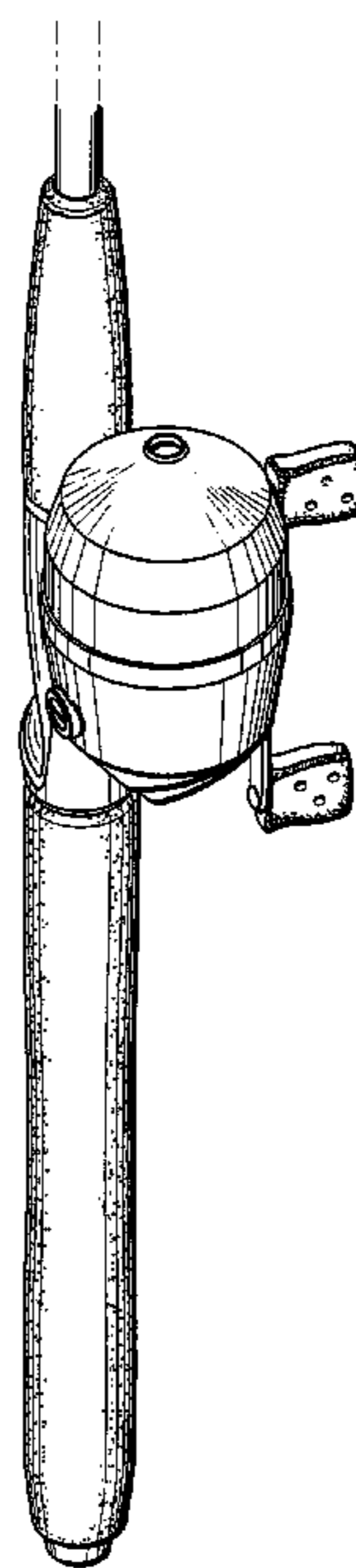
FIG. 6 is a right side elevational view thereof;

FIG. 7 is a top plan view thereof; and,

FIG. 8 is a bottom plan view thereof.

The broken lines shown in FIGS. 1-6 are for illustrative purposes only form no part of the claimed design.

1 Claim, 4 Drawing Sheets



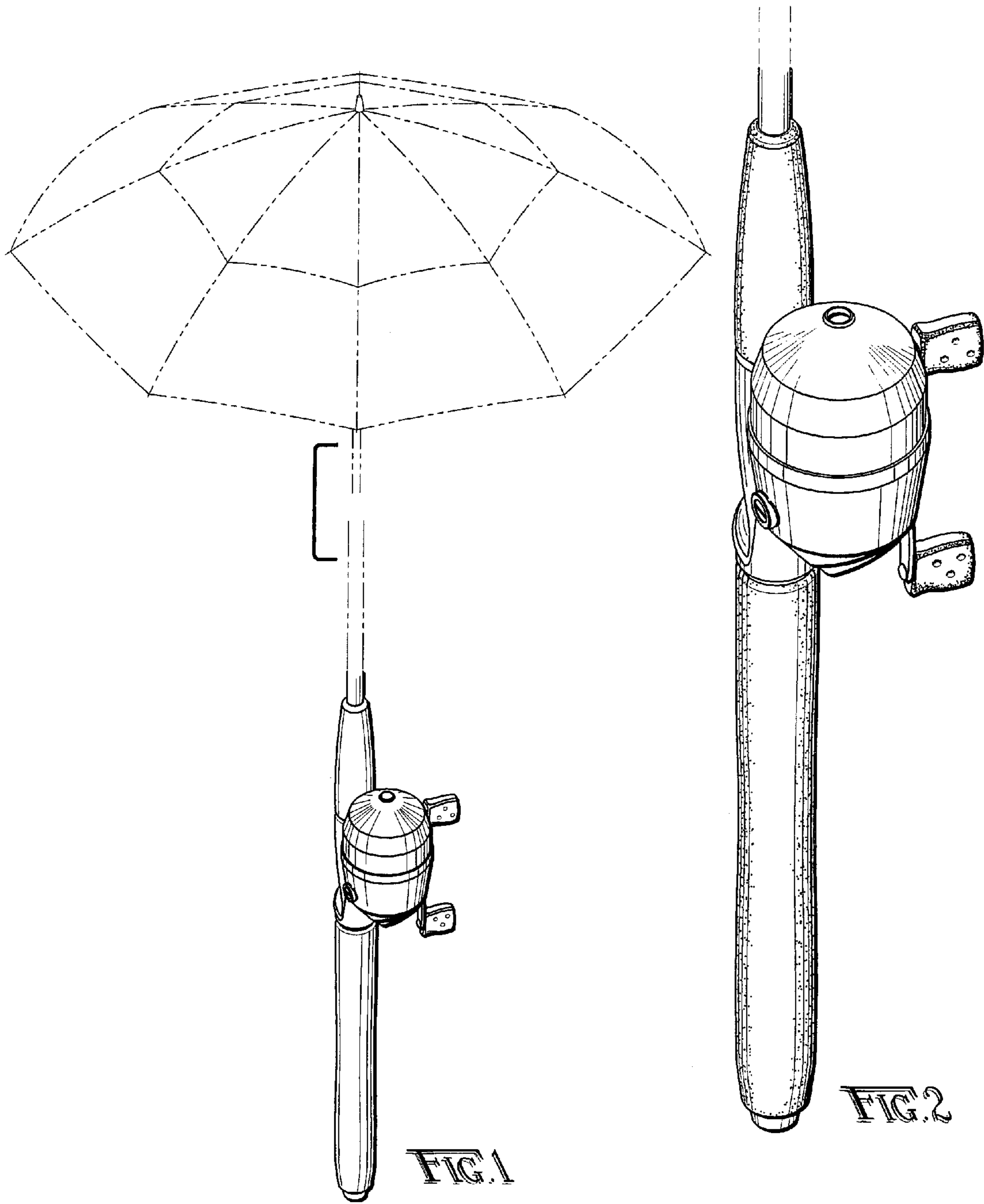


FIG. 1

FIG. 2

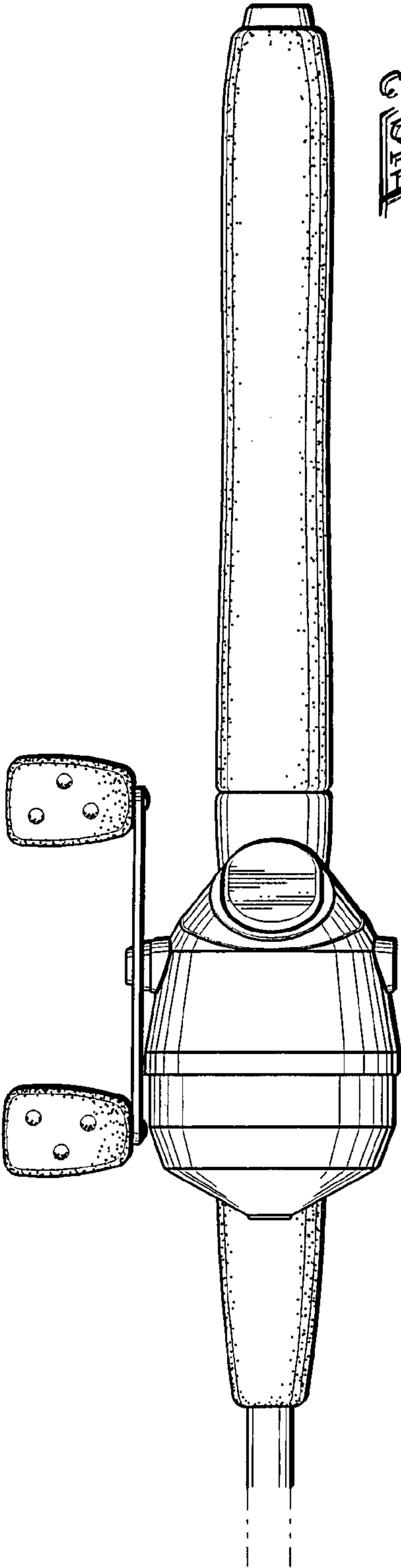


FIG. 3

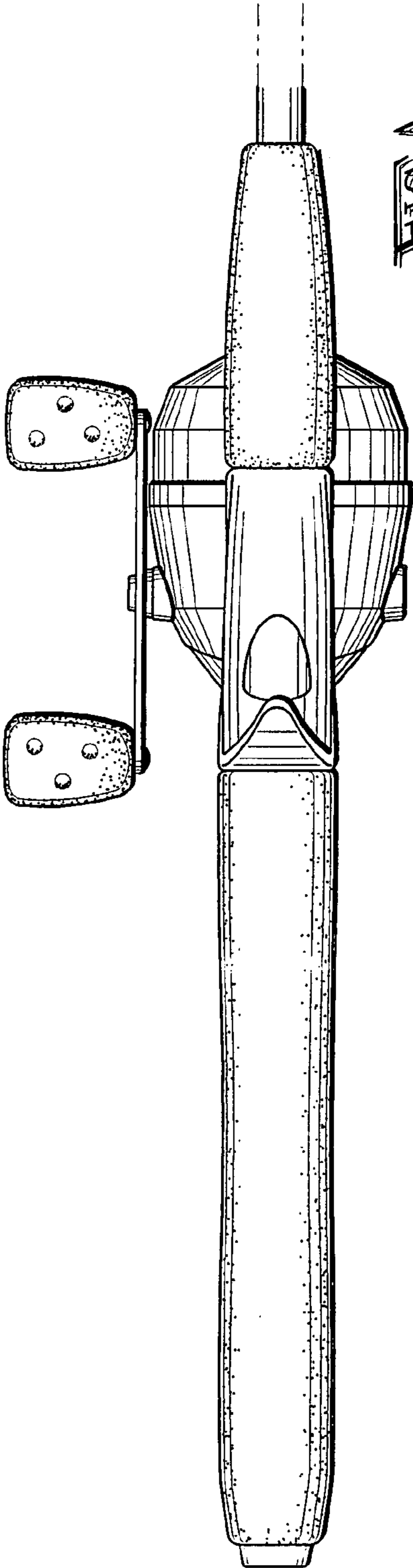
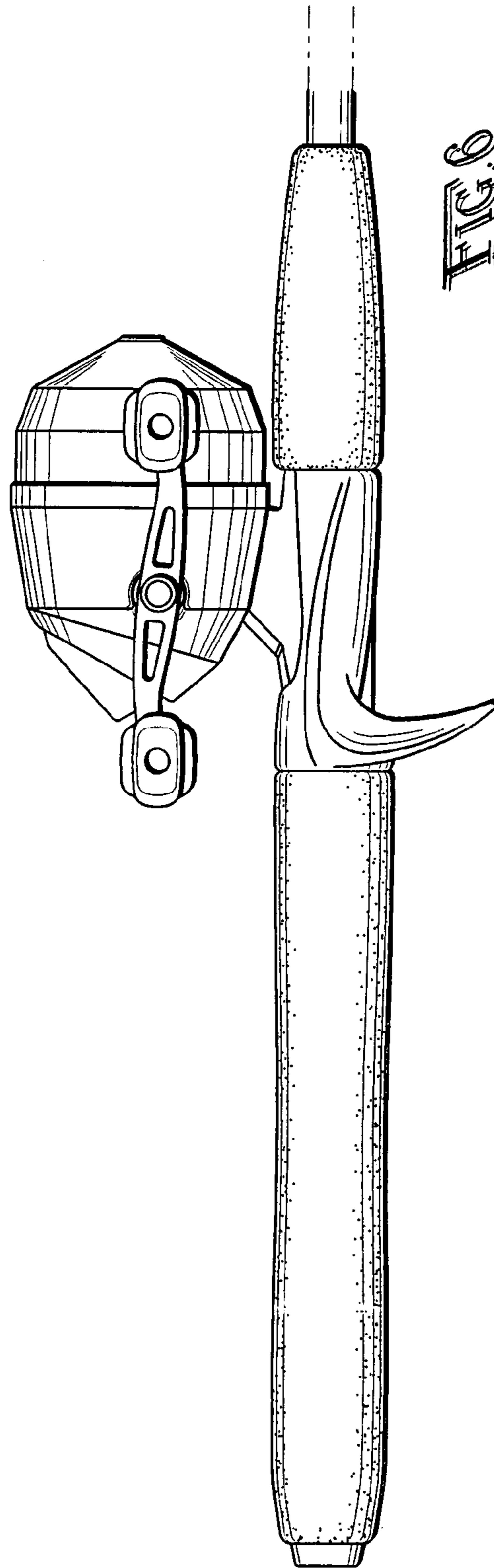
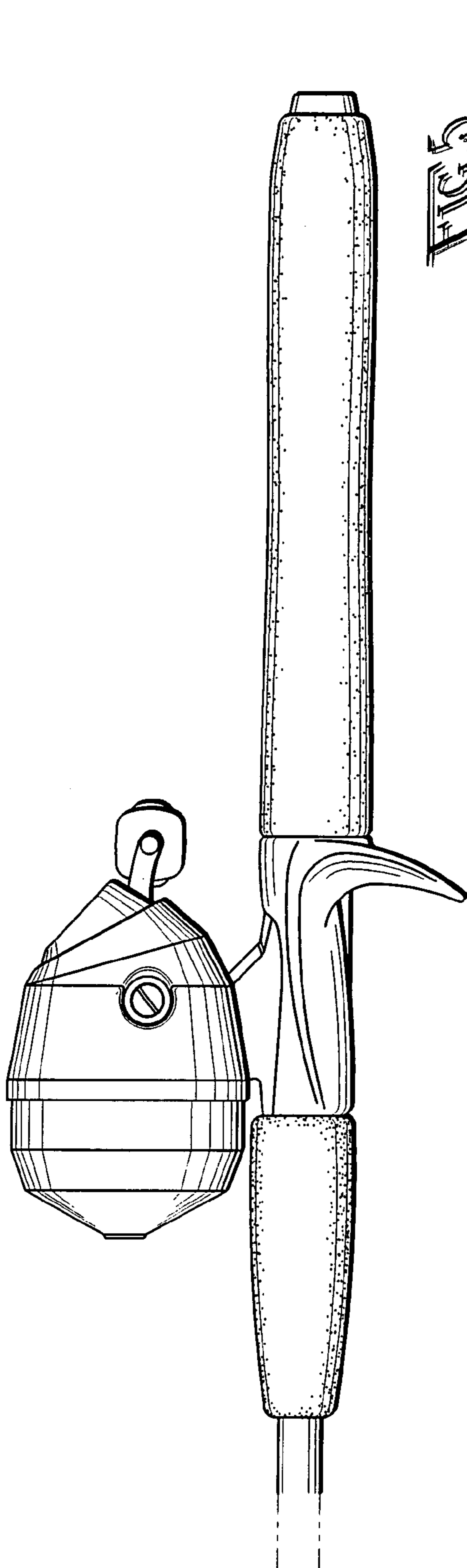


FIG. 4



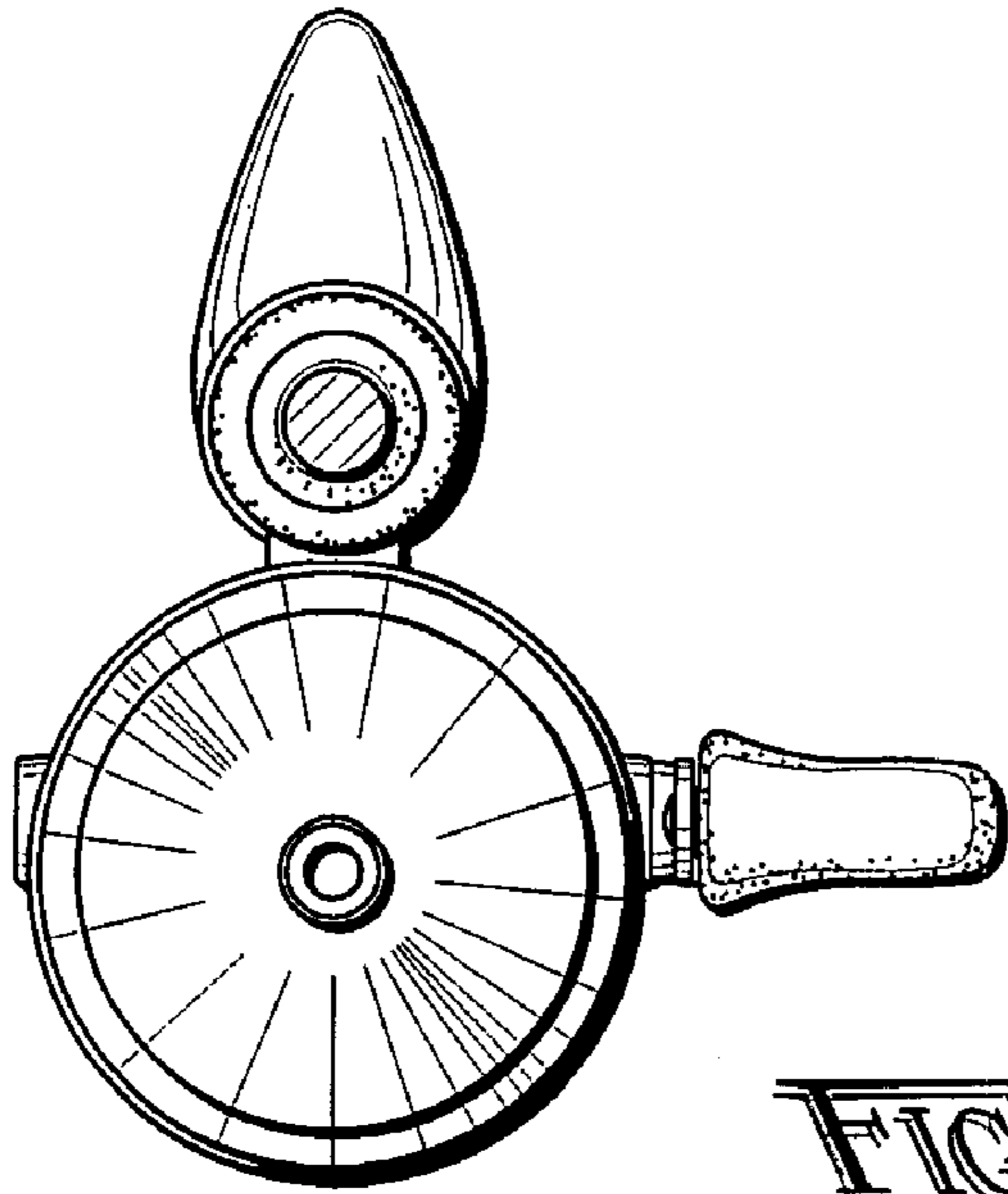


FIG. 7

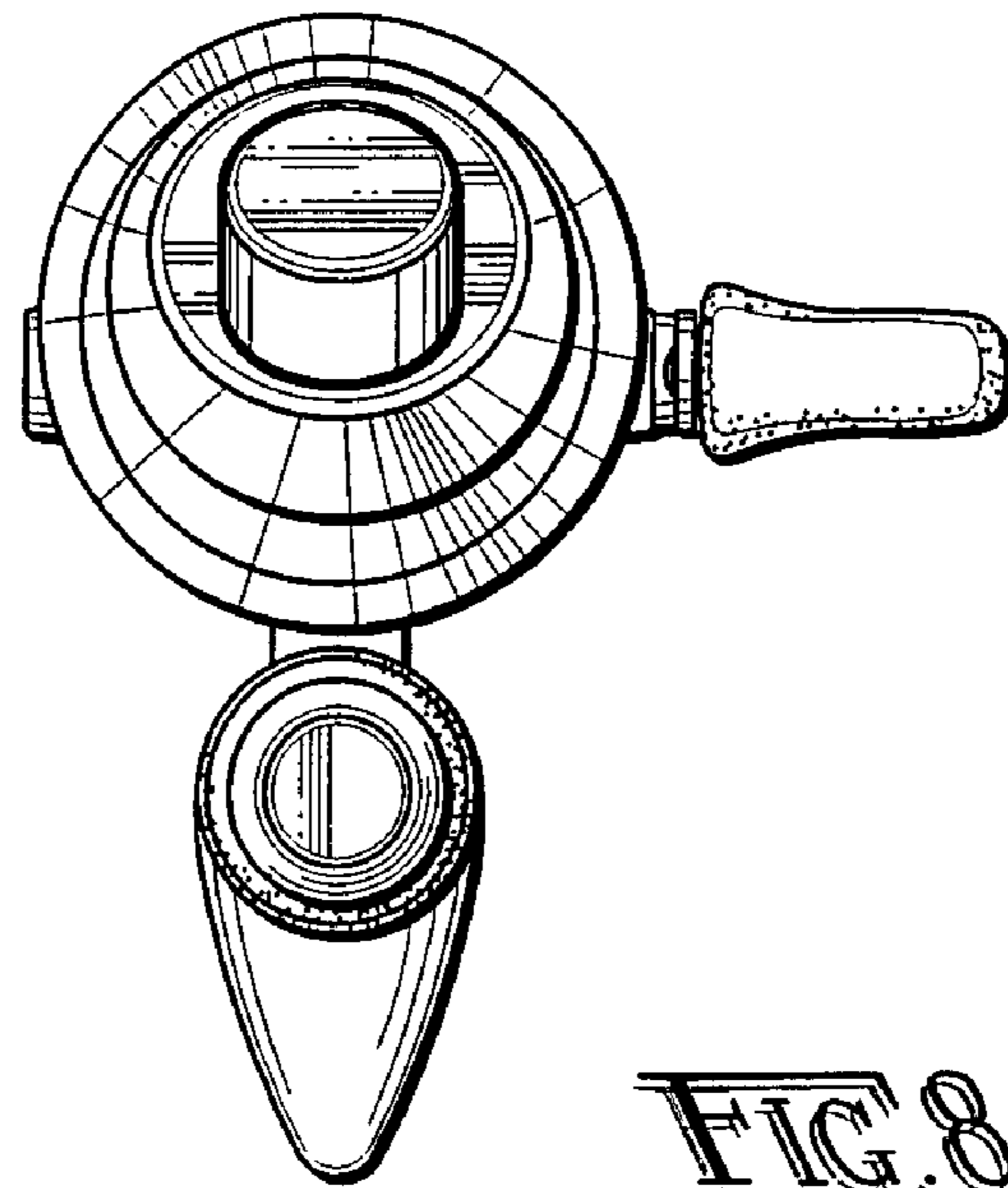


FIG. 8