



US00D554324S

(12) **United States Design Patent**
Liao

(10) **Patent No.:** **US D554,324 S**

(45) **Date of Patent:** **** Oct. 30, 2007**

(54) **FRONT LOWER FRAME OF A GOLF TROLLEY**

7,063,340 B1 * 6/2006 Wu 280/47.26

7,128,333 B2 * 10/2006 Reimers et al. 280/651

D531,778 S * 11/2006 Liao D34/15

7,137,644 B2 * 11/2006 Kimberley 280/651

7,147,242 B2 * 12/2006 Wu 280/641

(75) Inventor: **Gordon Liao**, Yung Kang (TW)

(73) Assignee: **Unique Product & Design Co., Ltd**,
Yung Kang, Tainan Hsien (TW)

(**) Term: **14 Years**

(21) Appl. No.: **29/265,449**

(22) Filed: **Aug. 31, 2006**

(51) **LOC (8) Cl.** **12-02**

(52) **U.S. Cl.** **D34/27**

(58) **Field of Classification Search** D34/12-27;
180/216, 907; 244/96, 98, 128, 129; 224/274
See application file for complete search history.

(56) **References Cited**

U.S. PATENT DOCUMENTS

5,048,856	A *	9/1991	Sanders et al.	280/646
5,193,842	A *	3/1993	Fontenot	280/645
D348,965	S *	7/1994	Machen et al.	D34/15
D423,746	S *	4/2000	Liao	D34/15
6,068,270	A *	5/2000	Kim	280/43.1
D450,416	S *	11/2001	Liao	D34/15
D462,152	S *	8/2002	Liao	D34/15
6,510,927	B1 *	1/2003	Wu	188/31
6,698,789	B2 *	3/2004	Reimers et al.	280/651
6,749,214	B2 *	6/2004	Shieh	280/651
D493,018	S *	7/2004	Liao	D34/15
D506,300	S *	6/2005	Lee	D34/15
D519,703	S *	4/2006	Wu	D34/15

* cited by examiner

Primary Examiner—Cynthia E. Ramirez

(74) *Attorney, Agent, or Firm*—Alan Kamrath; Kamrath & Associates PA

(57) **CLAIM**

The ornamental design for a front lower frame of a golf trolley, as shown and described.

DESCRIPTION

FIG. 1 is a perspective view of a front lower frame of a golf trolley showing my design;

FIG. 2 is a front elevational view thereof;

FIG. 3 is a rear elevational view thereof;

FIG. 4 is a left side elevational view thereof;

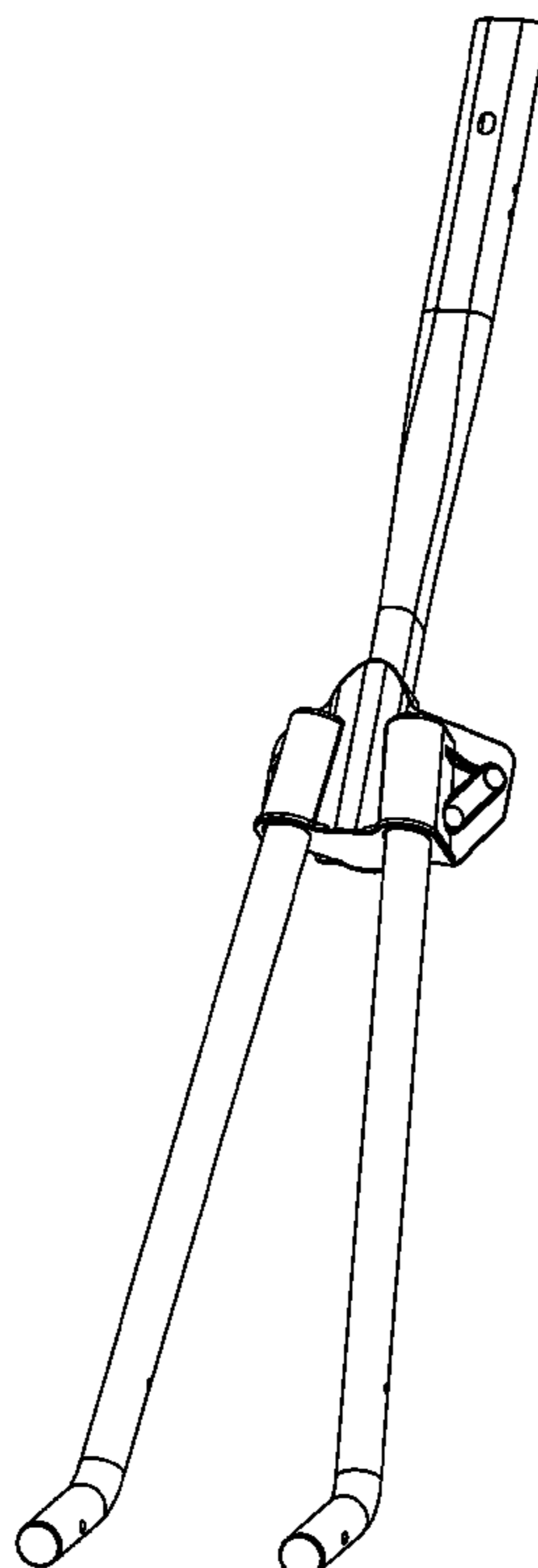
FIG. 5 is a right side elevational view thereof;

FIG. 6 is a top plan view thereof;

FIG. 7 is a bottom plan view thereof; and,

FIG. 8 is a perspective schematic view illustrating a position of a front lower frame of a golf trolley showing my design. The broken lines shown in the drawings are for illustrative purposes only and form no part of the claimed design.

1 Claim, 5 Drawing Sheets



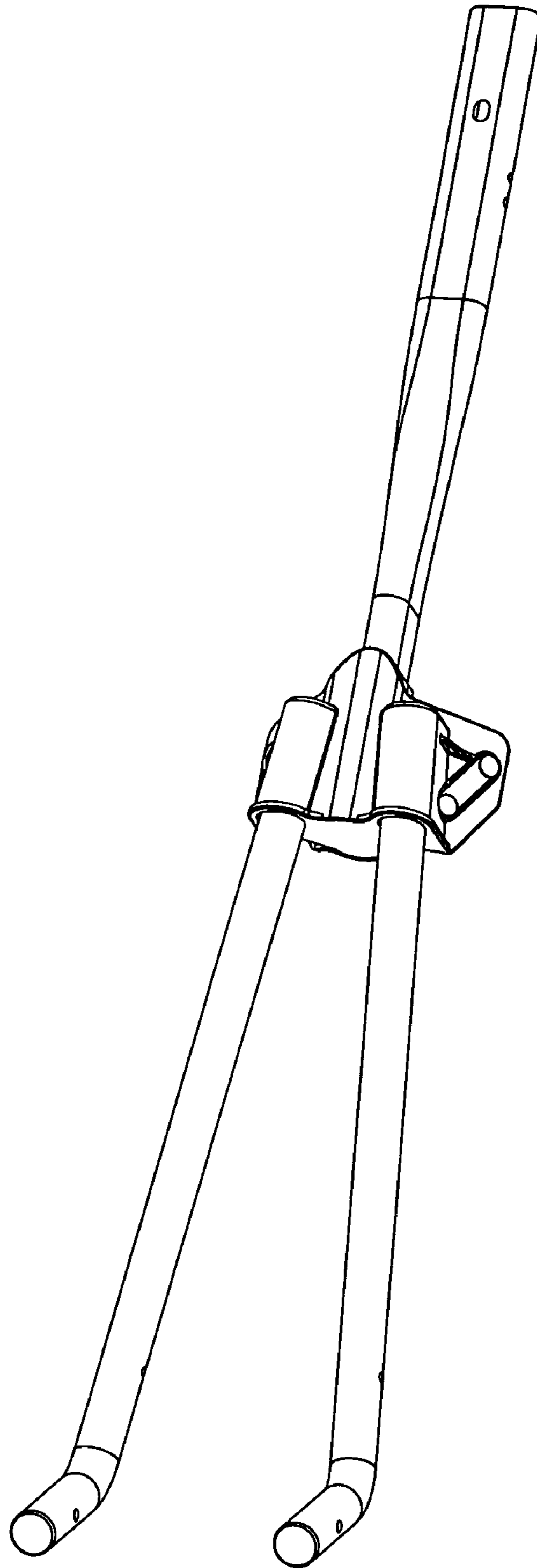


FIG. 1

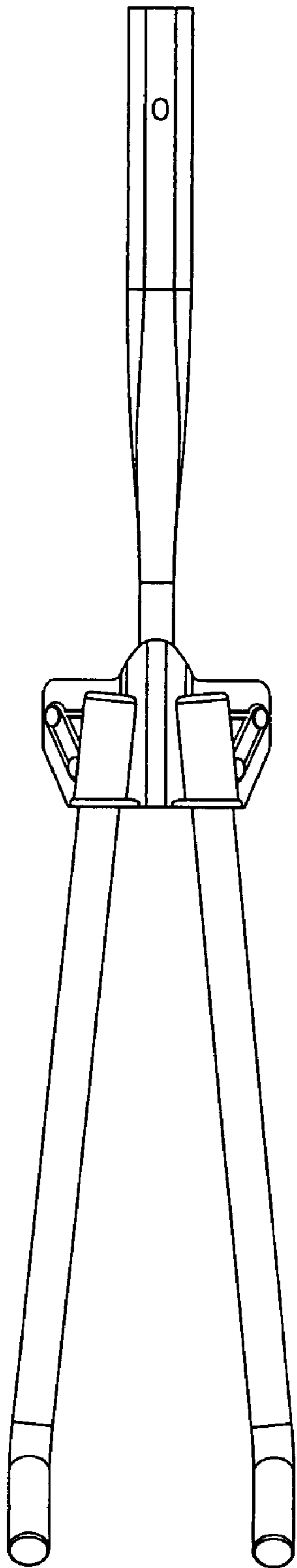


FIG. 2

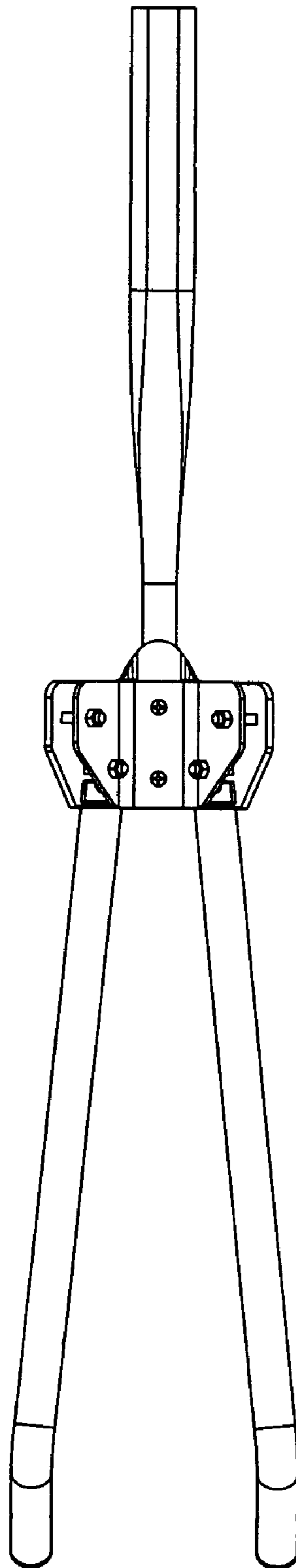


FIG. 3

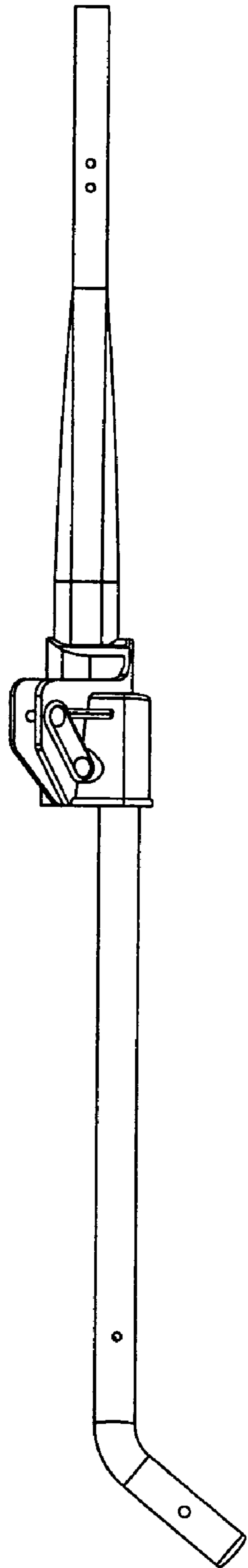


FIG. 4

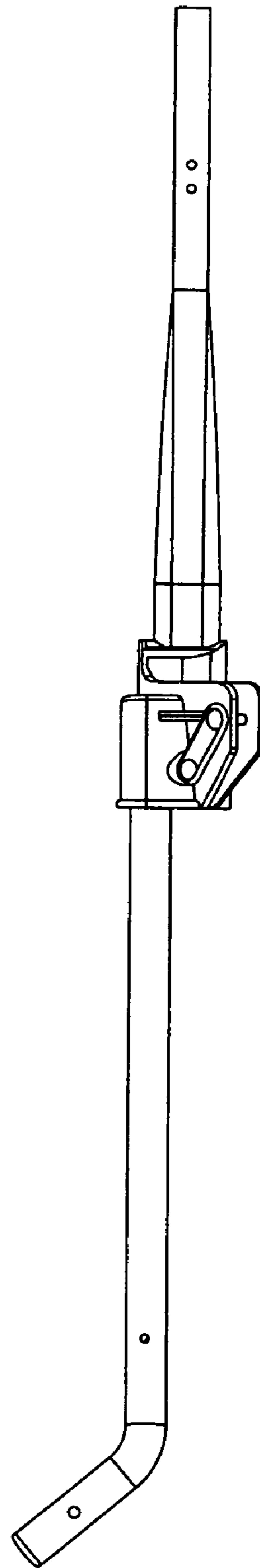


FIG. 5

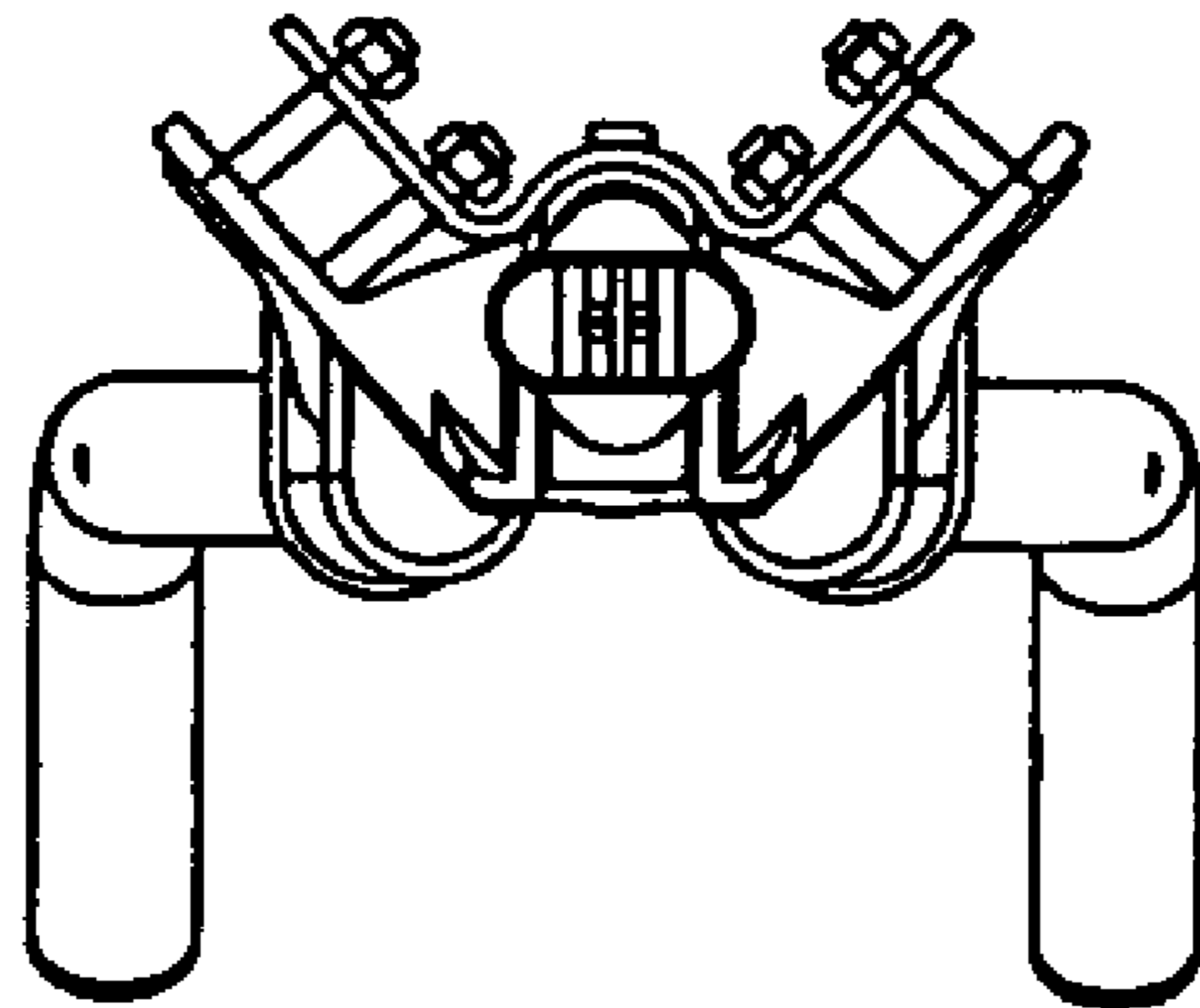


FIG. 6

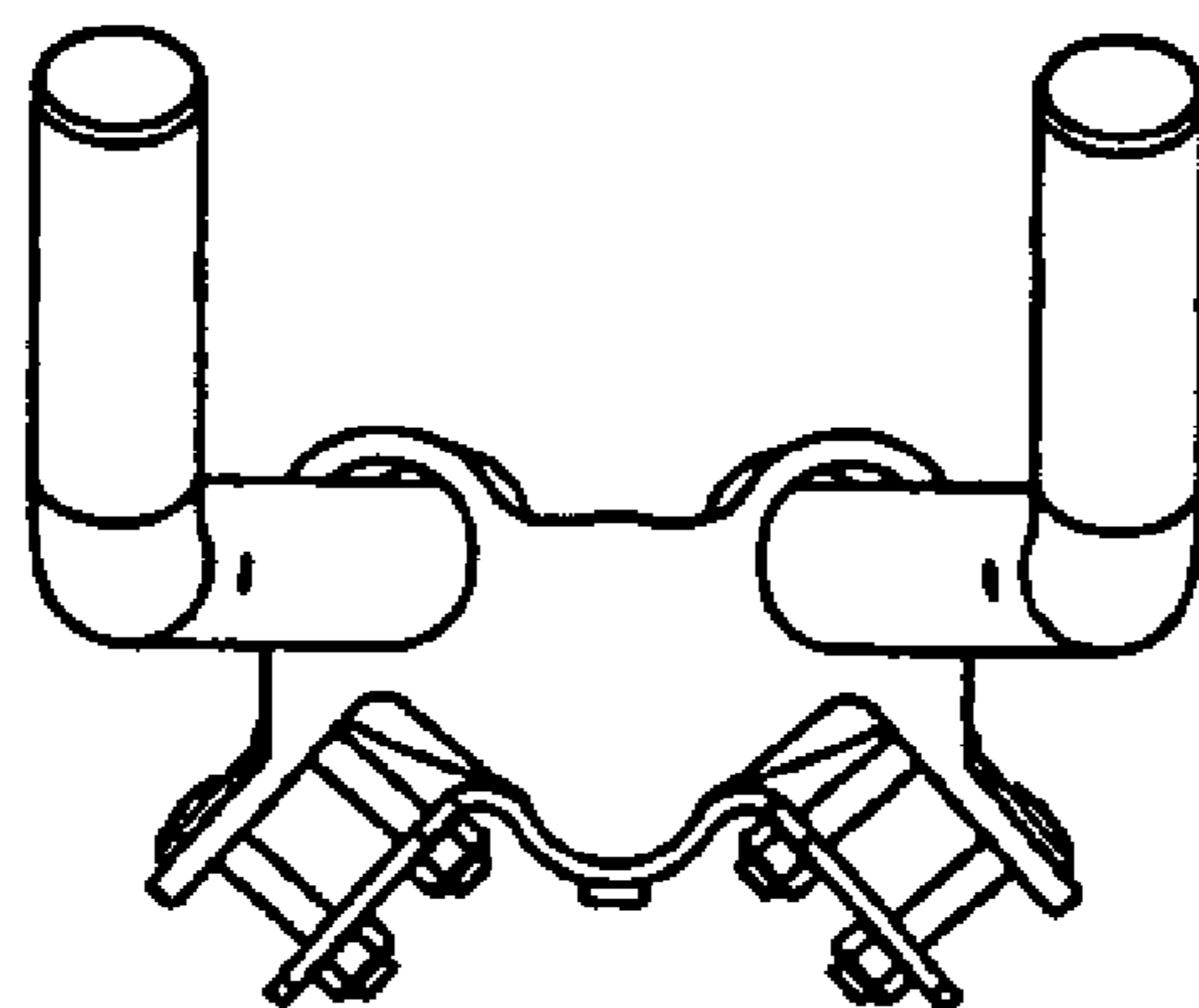


FIG. 7

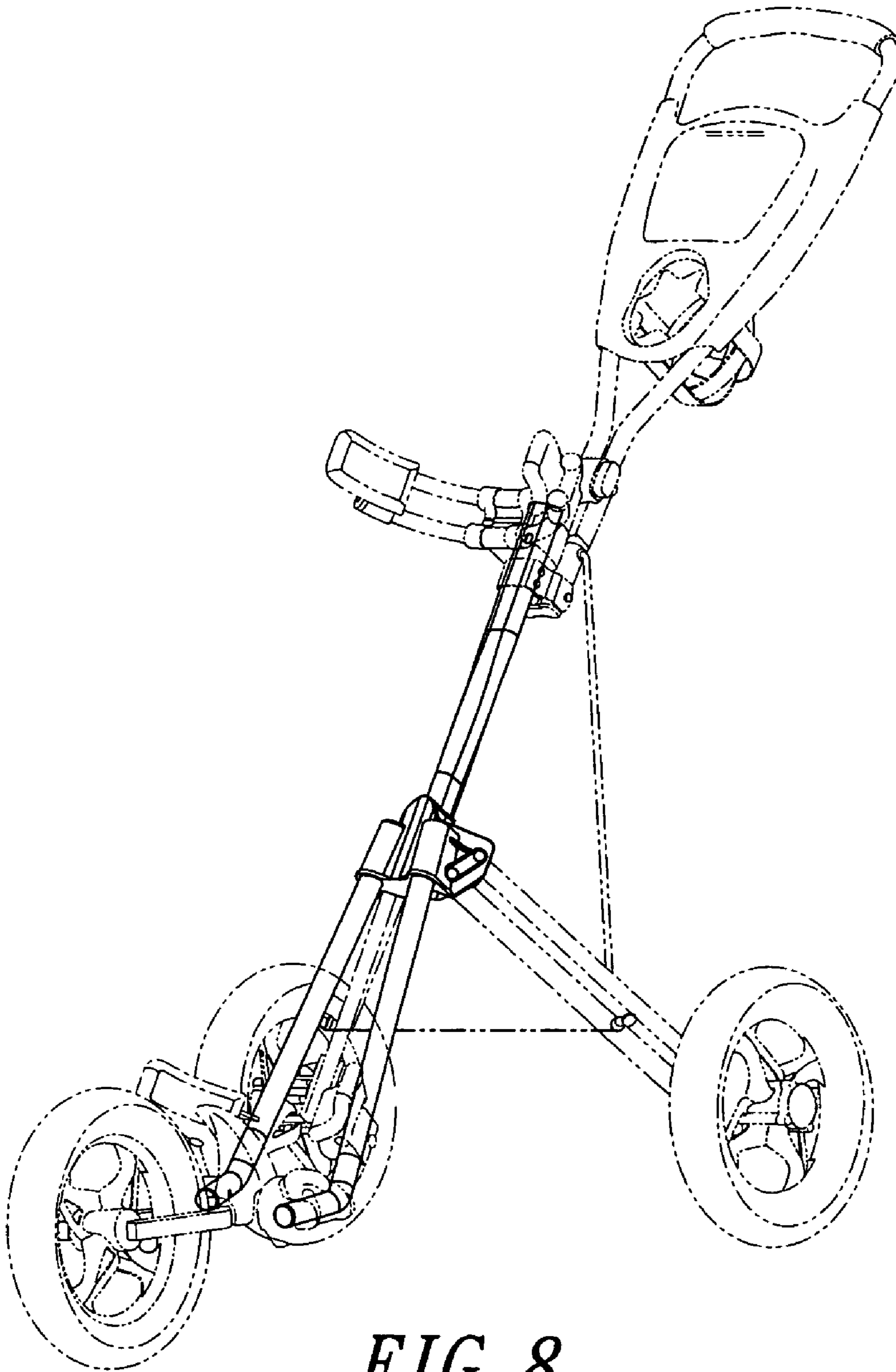


FIG. 8