



US00D554322S

(12) **United States Design Patent**  
**Pollack**

(10) **Patent No.:** **US D554,322 S**

(45) **Date of Patent:** **\*\* Oct. 30, 2007**

(54) **TABLE WASTE RECEPTACLE**

(76) **Inventor:** **Hansel H. Pollack**, 287 Bell Canyon Rd., Bell Canyon, CA (US) 91307

(\*\*) **Term:** **14 Years**

(21) **Appl. No.:** **29/275,524**

(22) **Filed:** **Dec. 28, 2006**

(51) **LOC (8) Cl.** ..... **09-09**

(52) **U.S. Cl.** ..... **D34/7; D7/612**

(58) **Field of Classification Search** ..... D34/1-11;  
D7/612; 232/43.2; 71/9; 220/908-913  
See application file for complete search history.

(56) **References Cited**

**U.S. PATENT DOCUMENTS**

D342,868 S *	1/1994	Lin	.....	D7/612
D378,976 S *	4/1997	Joergensen	.....	D7/612
D441,160 S *	4/2001	Lin	.....	D34/7
D467,695 S *	12/2002	Pacelli et al.	.....	D34/7
D476,127 S *	6/2003	Zeyha et al.	.....	D34/7

\* cited by examiner

*Primary Examiner*—Cynthia E. Ramirez  
(74) *Attorney, Agent, or Firm*—Holland & Knight LLP;  
Richard E. Lyon, Jr.

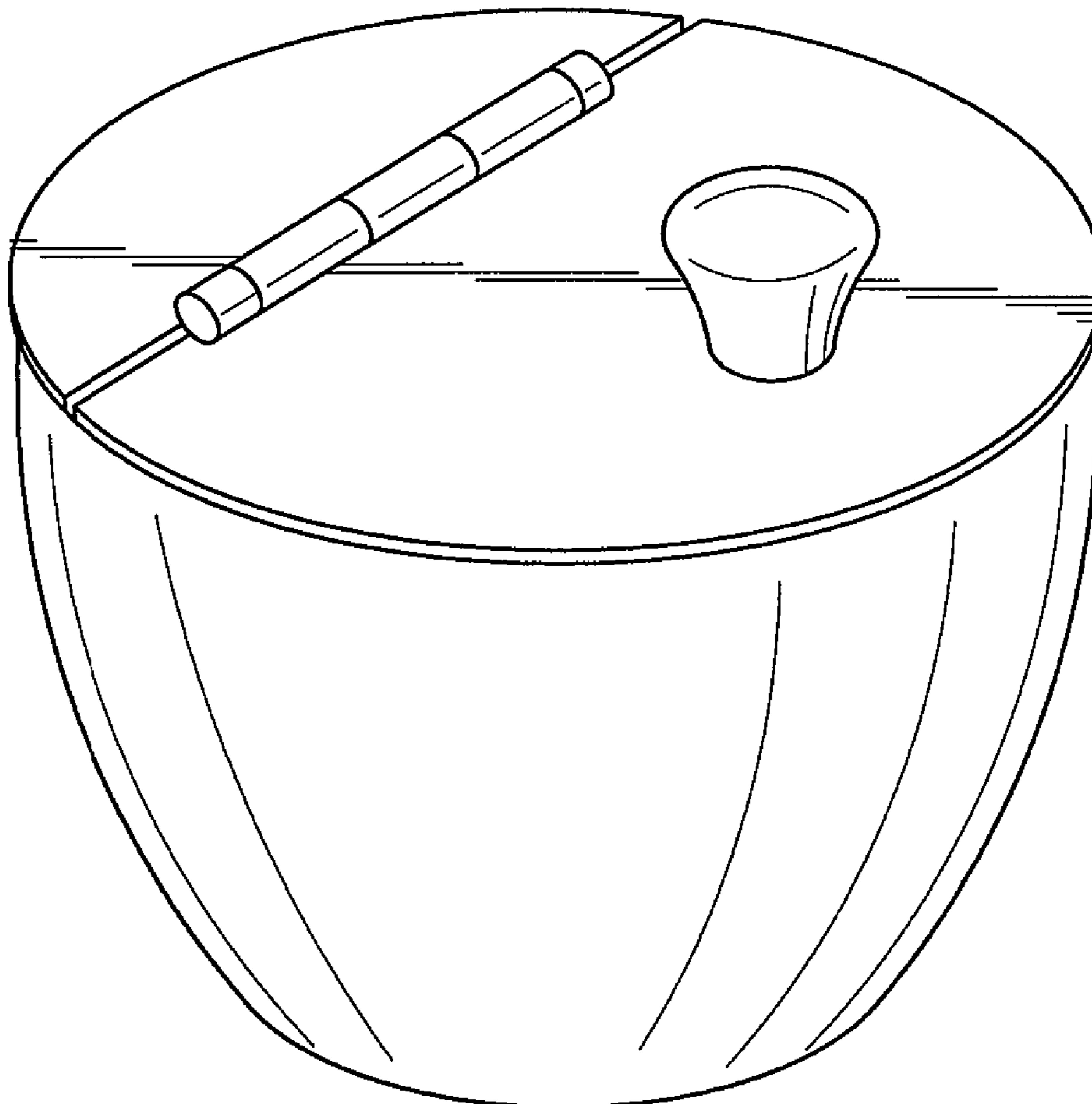
(57) **CLAIM**

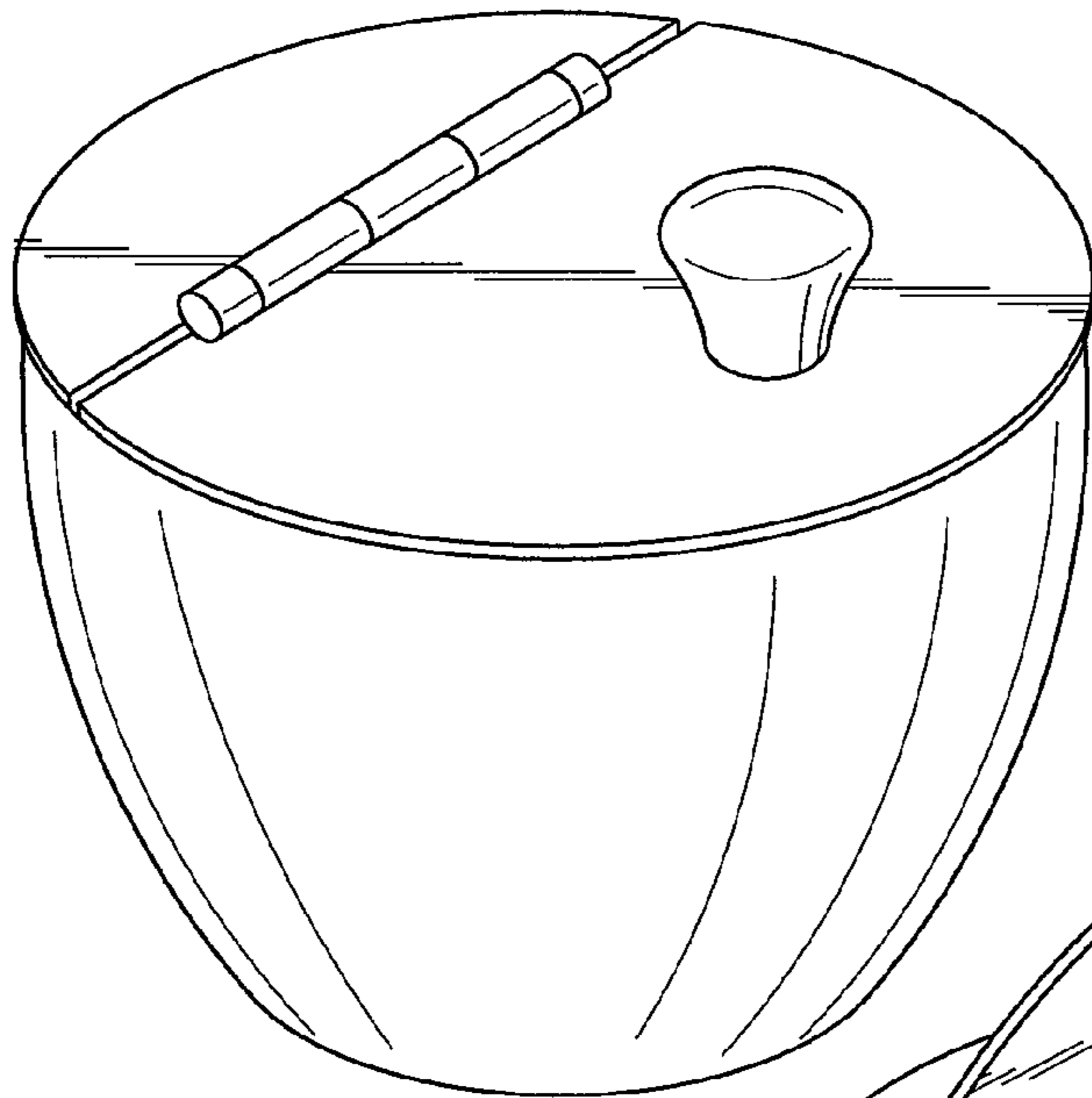
The ornamental design of a table waste receptacle, as shown and described.

**DESCRIPTION**

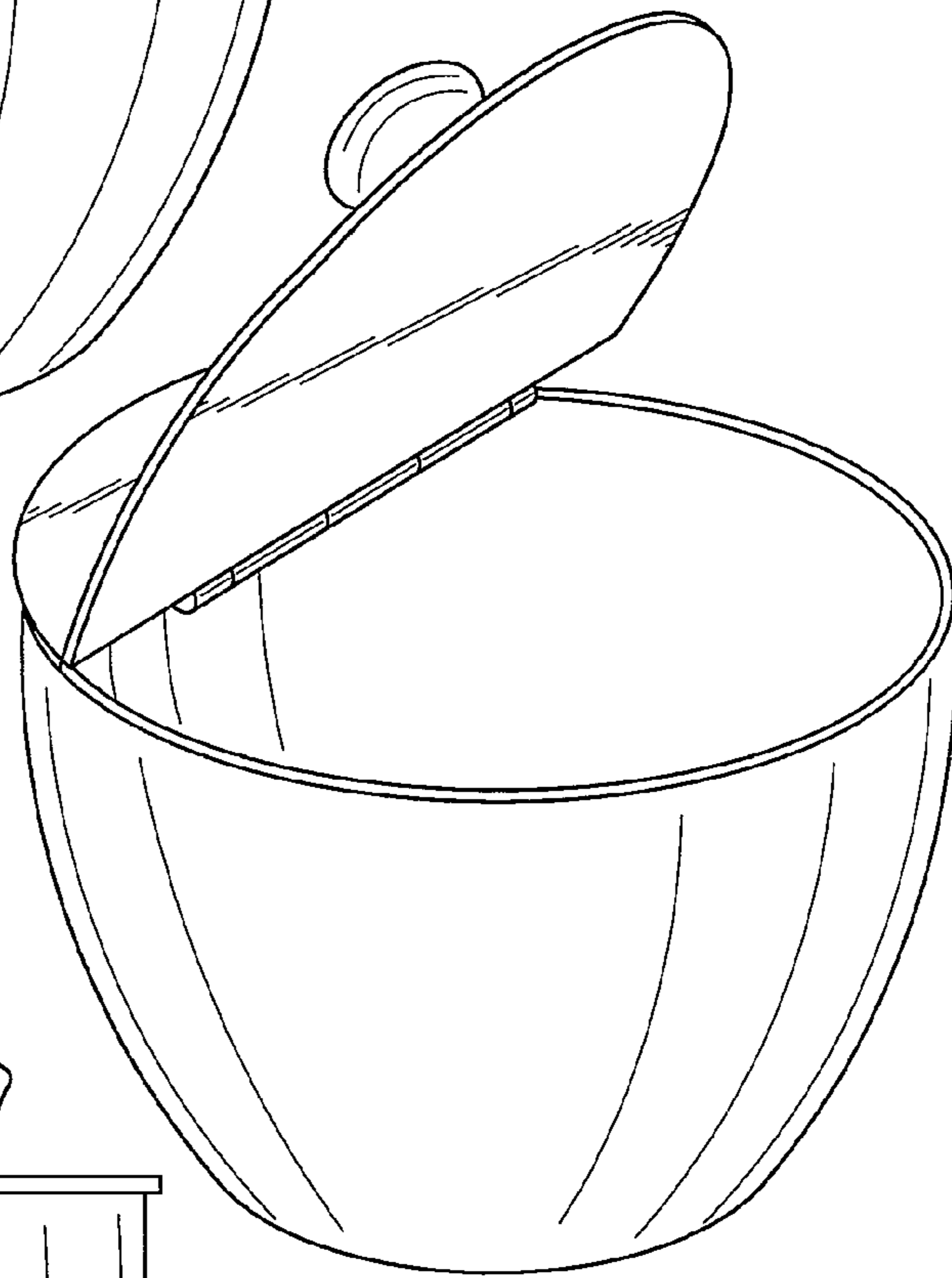
FIG. 1 is a perspective view of the table waste receptacle of my new design illustrating the lid in a closed position;  
FIG. 2 is a perspective view of the table waste receptacle of my new design illustrating the lid in a raised position;  
FIG. 3 is a side view thereof, the opposite side view being a mirror image thereof;  
FIG. 4 is a front view thereof;  
FIG. 5 is a rear view thereof;  
FIG. 6 is a top plan view thereof; and,  
FIG. 7 is a bottom plan view thereof.

**1 Claim, 3 Drawing Sheets**



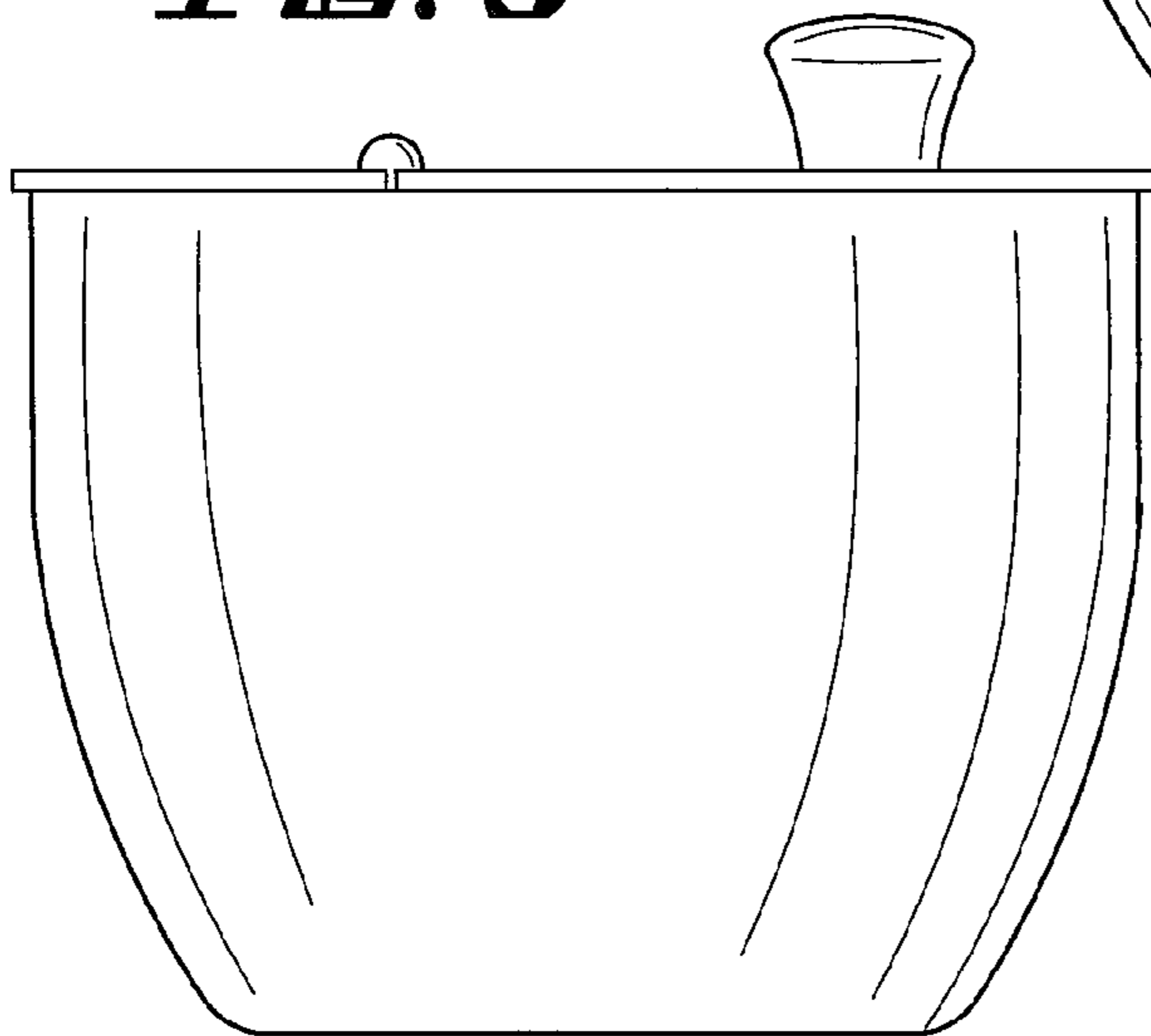


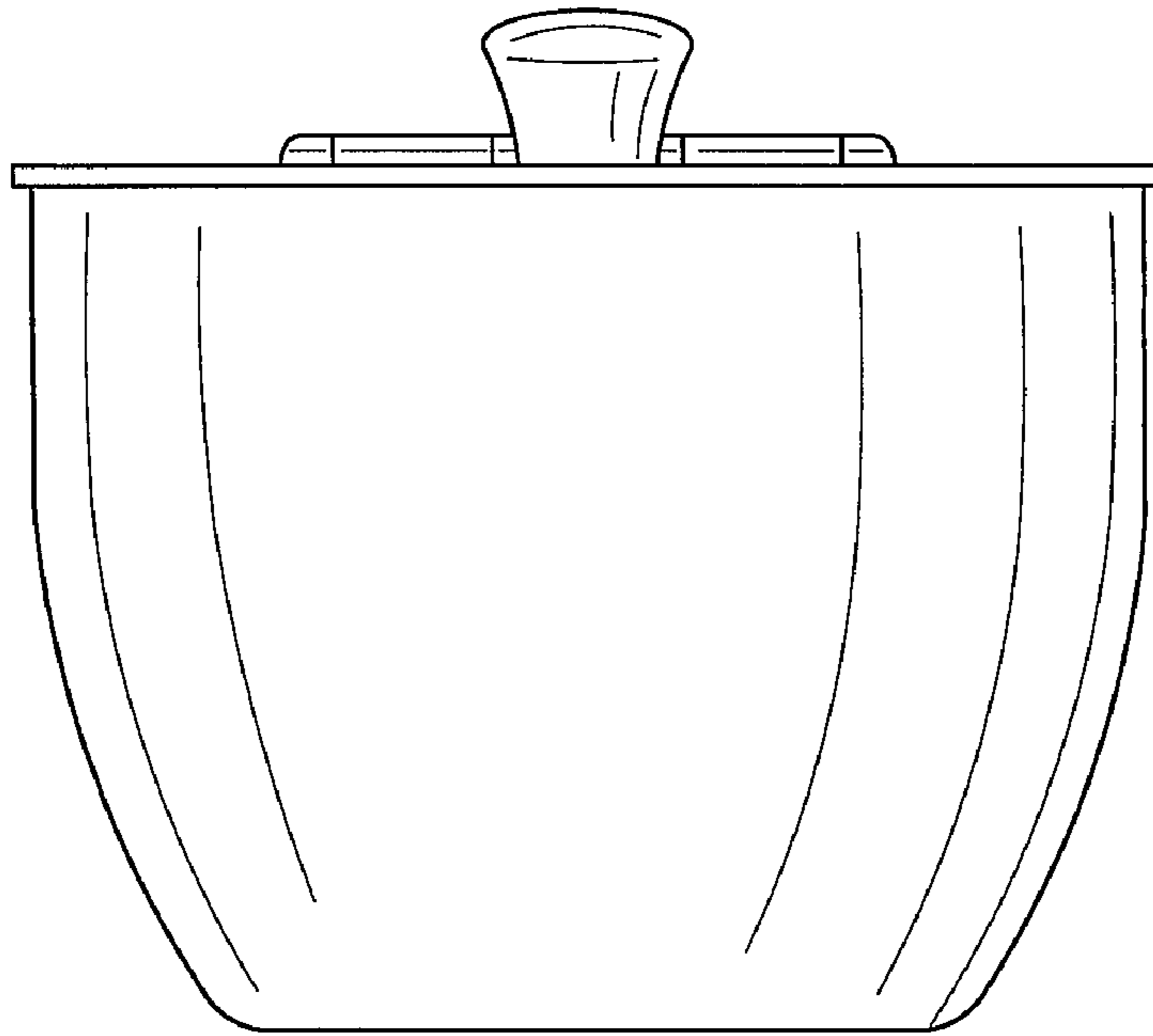
*FIG. 1*



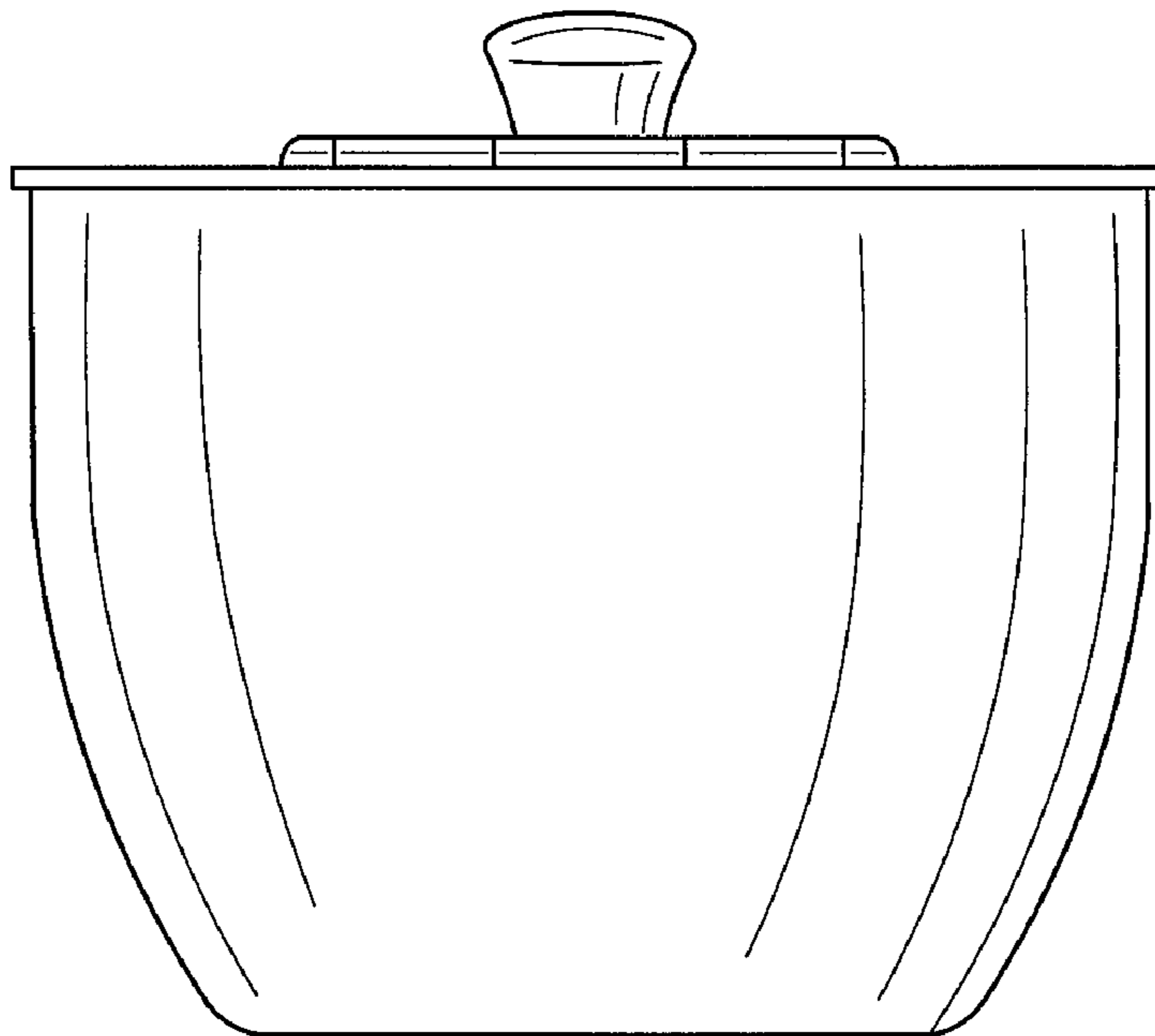
*FIG. 2*

*FIG. 3*

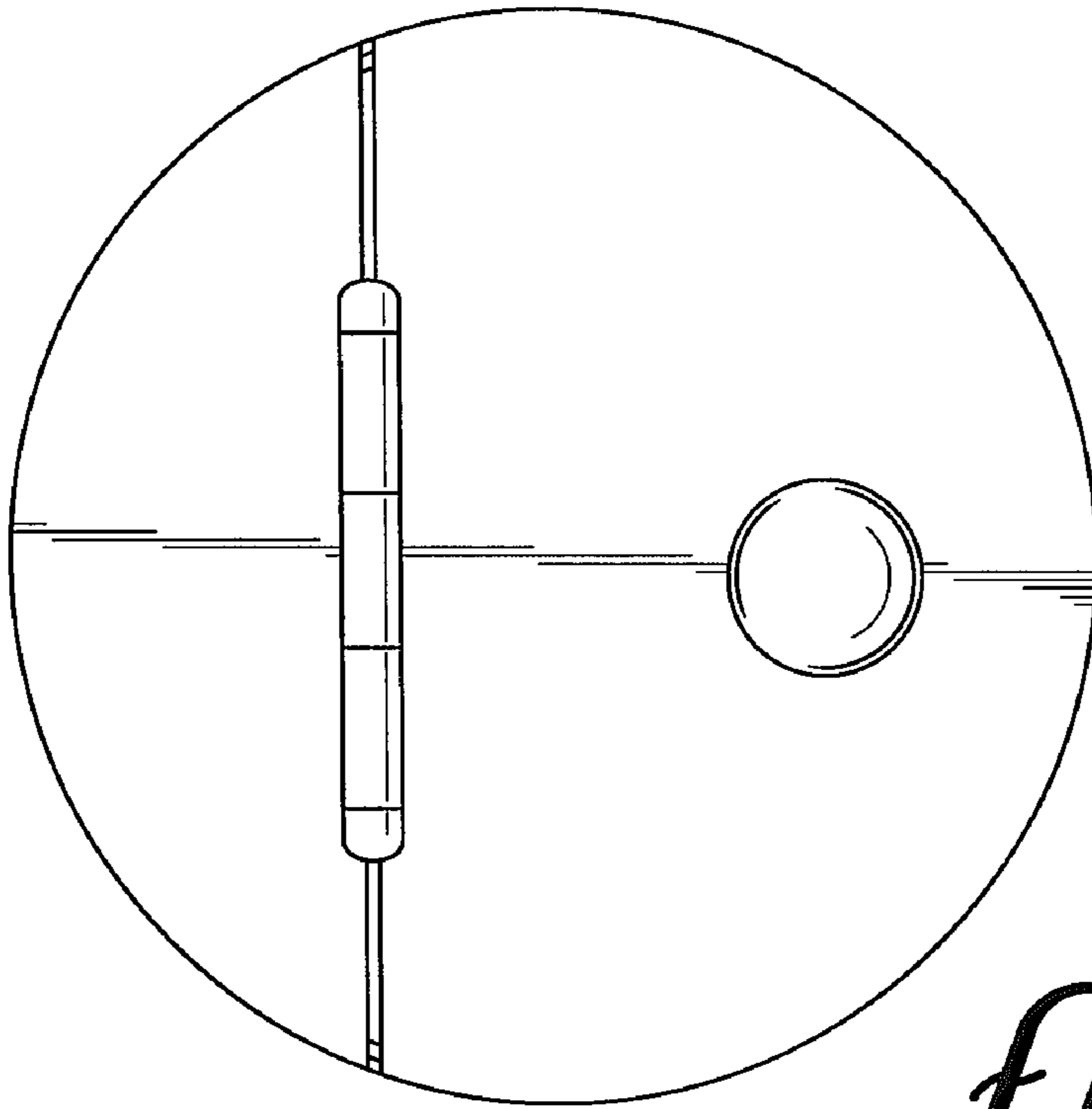




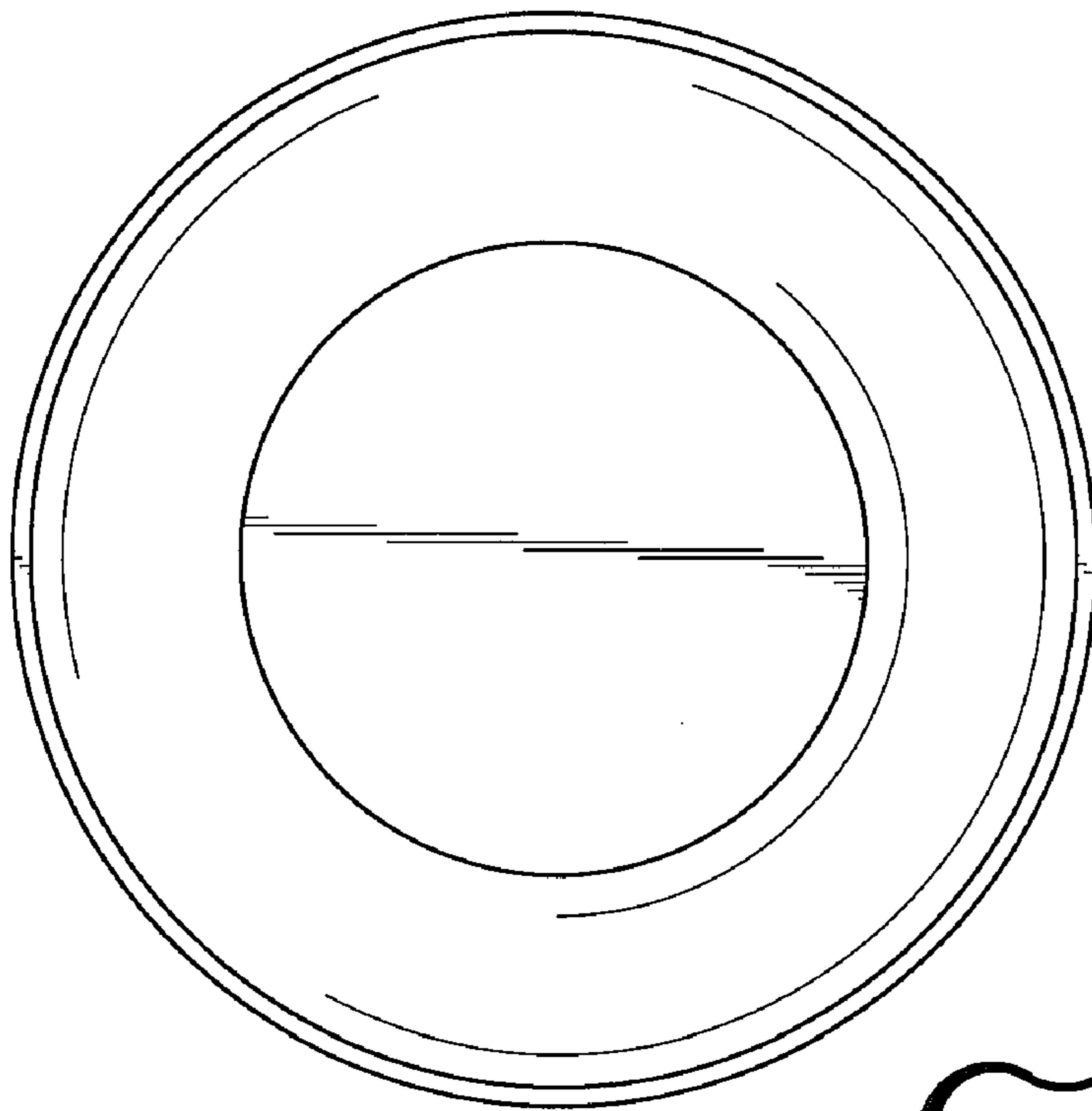
*FIG. 4*



*FIG. 5*



*FIG. 6*



*FIG. 7*