



US00D554321S

(12) **United States Design Patent** (10) **Patent No.:** **US D554,321 S**
Haas (45) **Date of Patent:** **** Oct. 30, 2007**

(54) **COMBINED REFUSE AND RECYCLING CONTAINER**

D442,330 S * 5/2001 Cousins D27/173
D447,302 S * 8/2001 Lin D32/53

(76) Inventor: **Philip C. Haas**, 550 Ryams La., Clayton, NC (US) 27520

* cited by examiner

Primary Examiner—Cynthia E. Ramirez
(74) *Attorney, Agent, or Firm*—Charles A. Wilkinson; Clinton H. Wilkinson

(**) Term: **14 Years**

(21) Appl. No.: **29/226,832**

(57) **CLAIM**

(22) Filed: **Apr. 1, 2005**

I claim the ornamental design for a combined refuse and recycling container, as shown.

(51) **LOC (8) Cl.** **09-09**

(52) **U.S. Cl.** **D34/7**

(58) **Field of Classification Search** D34/1,
D34/4, 5, 6, 7, 8, 9, 10, 11; 220/908–913,
220/408, 409

DESCRIPTION

See application file for complete search history.

FIG. 1 is a top, front isometric view of the combined refuse and recycling container showing my new design.

FIG. 2 is an isometric view thereof from the bottom rear; and,

FIG. 3 is an isometric view thereof from the top front thereof with the transparent top raised slightly from the body or sidewalls.

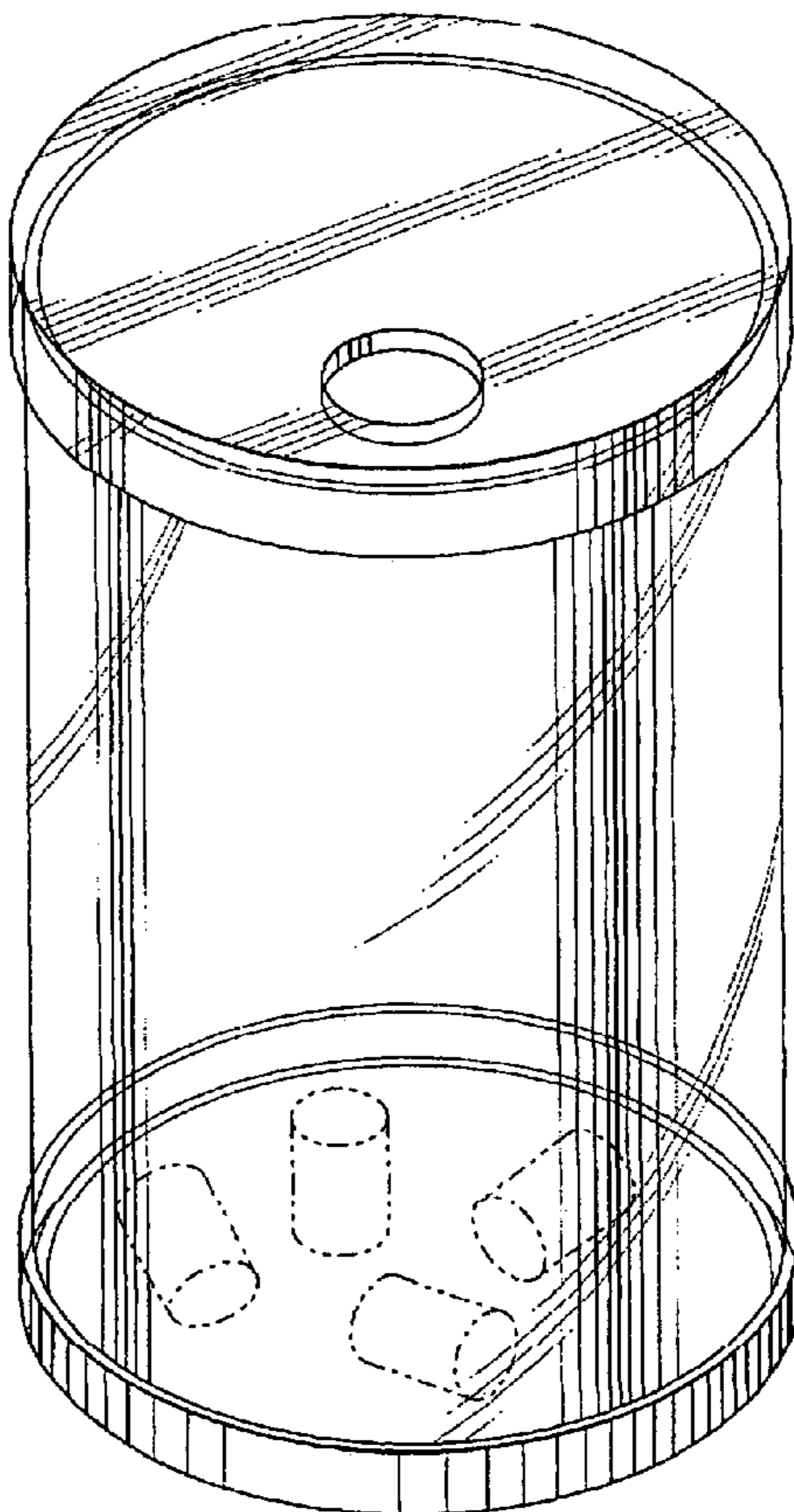
(56) **References Cited**

U.S. PATENT DOCUMENTS

D122,041	S	*	8/1940	Baer	D9/780
2,319,384	A	*	5/1943	Callan et al.	232/1 B
D155,564	S	*	10/1949	Ackerman	D9/738
2,648,495	A	*	8/1953	Borst	232/43.5
5,036,998	A	*	8/1991	Dunn	220/23.87
D328,248	S	*	7/1992	Ruff	D9/418
D441,160	S	*	4/2001	Lin	D34/7

The broken line showing of cans is included for the purpose of illustrating environment and forms no part of the claimed design.

1 Claim, 3 Drawing Sheets



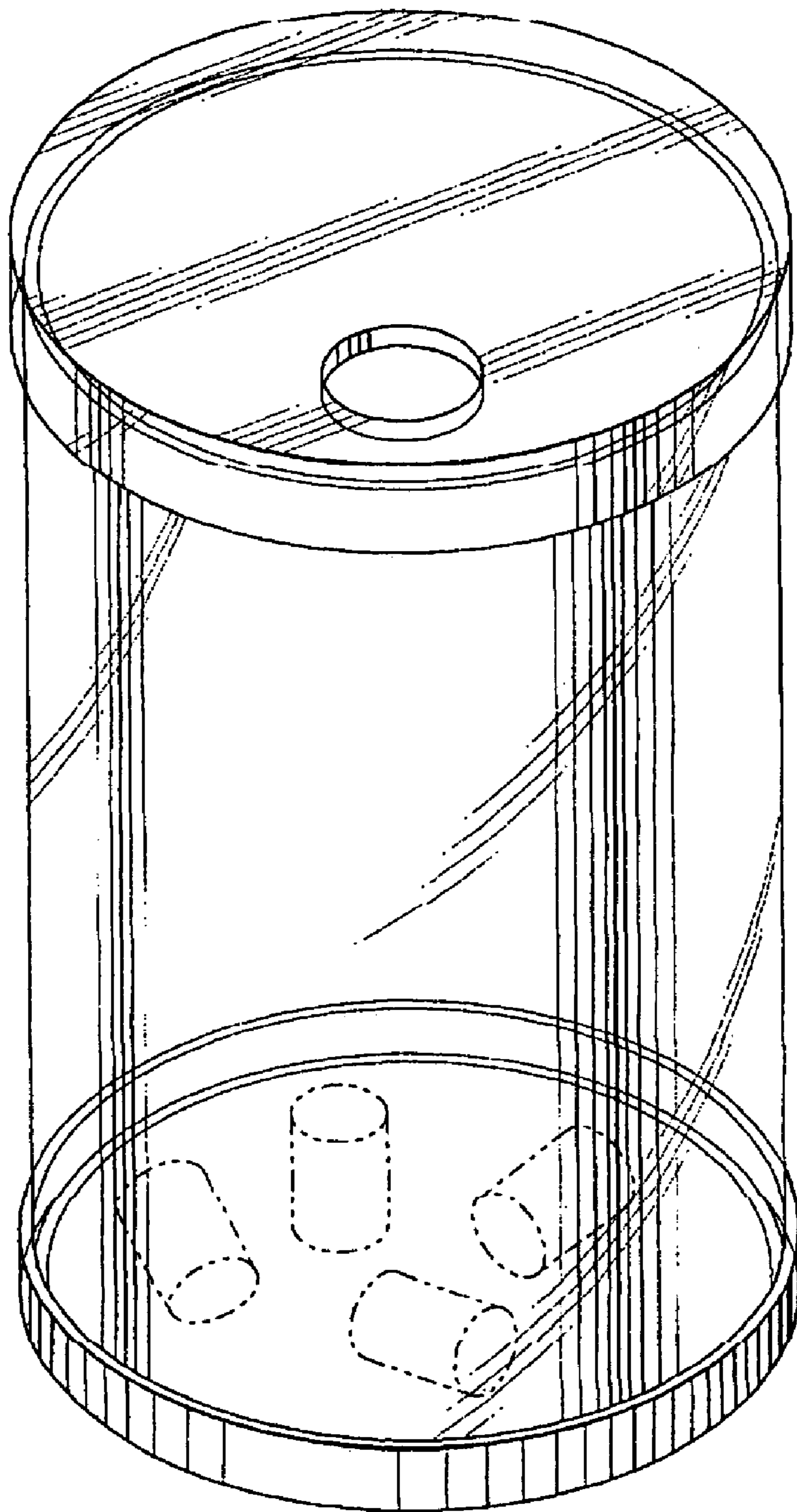


Fig. 1

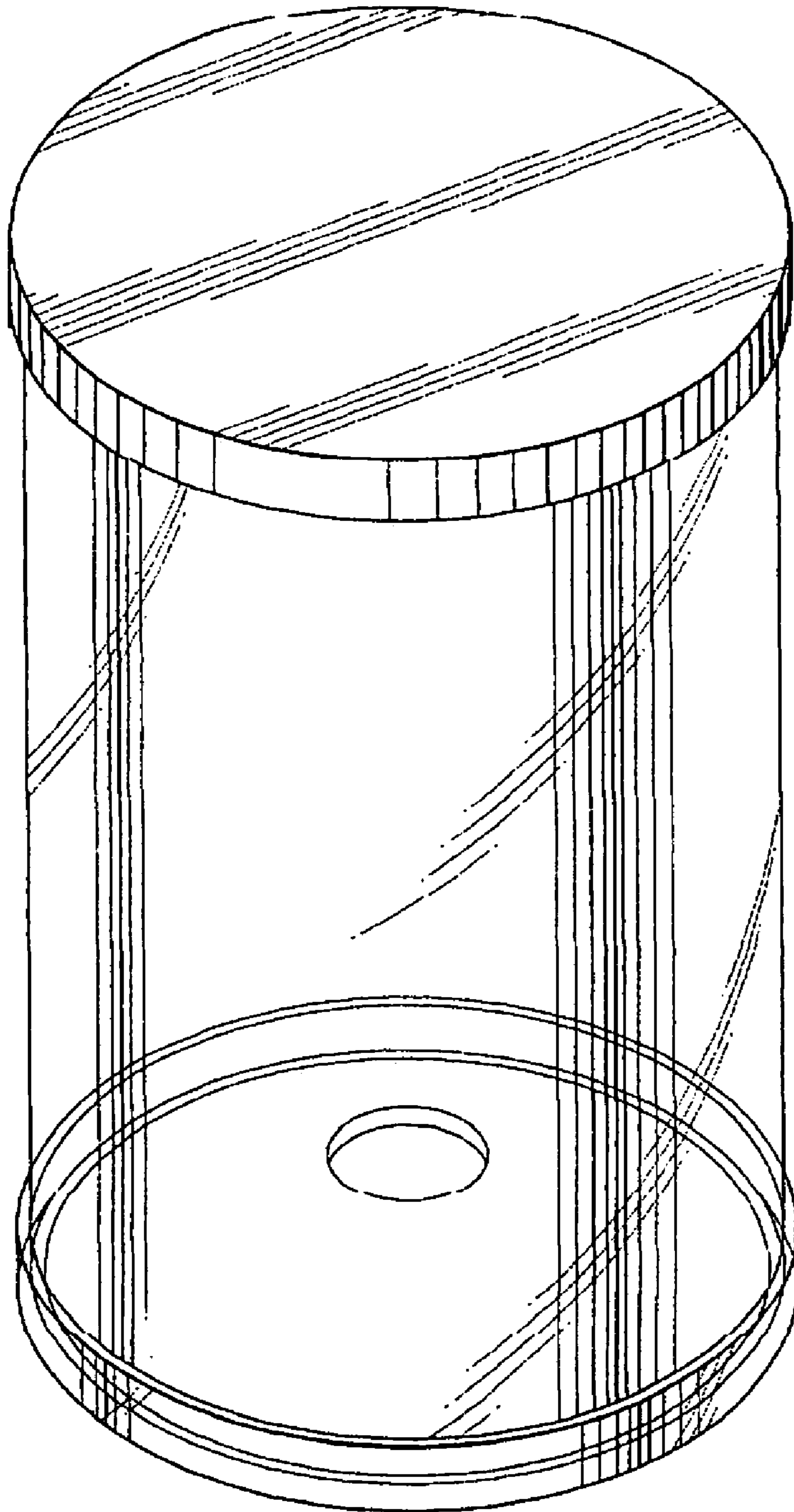


Fig. 2

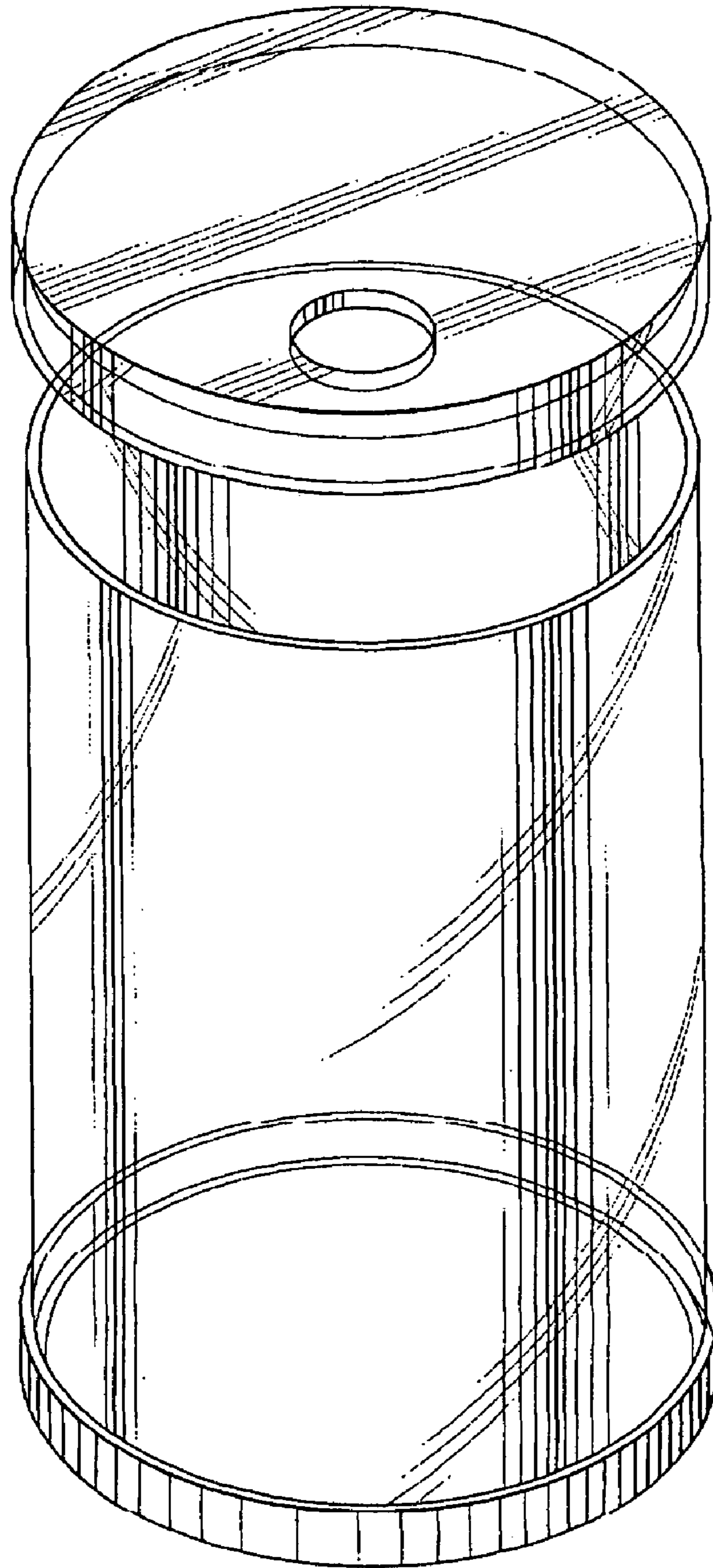


Fig. 3