



US00D554318S

(12) **United States Design Patent**  
**Yang et al.**

(10) **Patent No.:** **US D554,318 S**  
(45) **Date of Patent:** **\*\* Oct. 30, 2007**

(54) **DISH RACK**

(75) Inventors: **Frank Yang**, Rancho Palos Verdes, CA (US); **Adam C. Wade**, Rancho Santa Margarita, CA (US); **Myk Wayne Lum**, Irvine, CA (US)

(73) Assignee: **Simplehuman LLC**, Torrance, CA (US)

(\*\*) Term: **14 Years**

(21) Appl. No.: **29/244,161**

(22) Filed: **Dec. 5, 2005**

**Related U.S. Application Data**

(62) Division of application No. 29/203,828, filed on Apr. 19, 2004, now Pat. No. Des. 520,699.

(51) **LOC (8) Cl.** ..... **07-05**

(52) **U.S. Cl.** ..... **D32/55**

(58) **Field of Classification Search** ..... D32/3, D32/55, 56, 58; D3/306; 4/637, 656; 206/202, 206/513; 211/41.2-41.4, 41.8, 41.9, 126.8, 211/126.9, 181.1; 220/485, 487, 488, 494, 220/571, 572

See application file for complete search history.

(56) **References Cited**

**U.S. PATENT DOCUMENTS**

D97,654 S \* 11/1935 Watral ..... D32/55

D133,311 S \* 8/1942 Tinney ..... D32/55  
D189,311 S \* 11/1960 Christoffersen ..... D32/55  
D507,108 S \* 7/2005 Suero, Jr. .... D3/304

**FOREIGN PATENT DOCUMENTS**

JP 2003079563 A \* 3/2003

\* cited by examiner

*Primary Examiner*—Ian Simmons

*Assistant Examiner*—Lavone D. Tabor

(74) *Attorney, Agent, or Firm*—Raymond Sun

(57) **CLAIM**

The ornamental design for a dish rack, as shown and described.

**DESCRIPTION**

FIG. 1 is a perspective view of a dish rack according to the present invention;

FIG. 2 is a top plan view of the dish rack of FIG. 1;

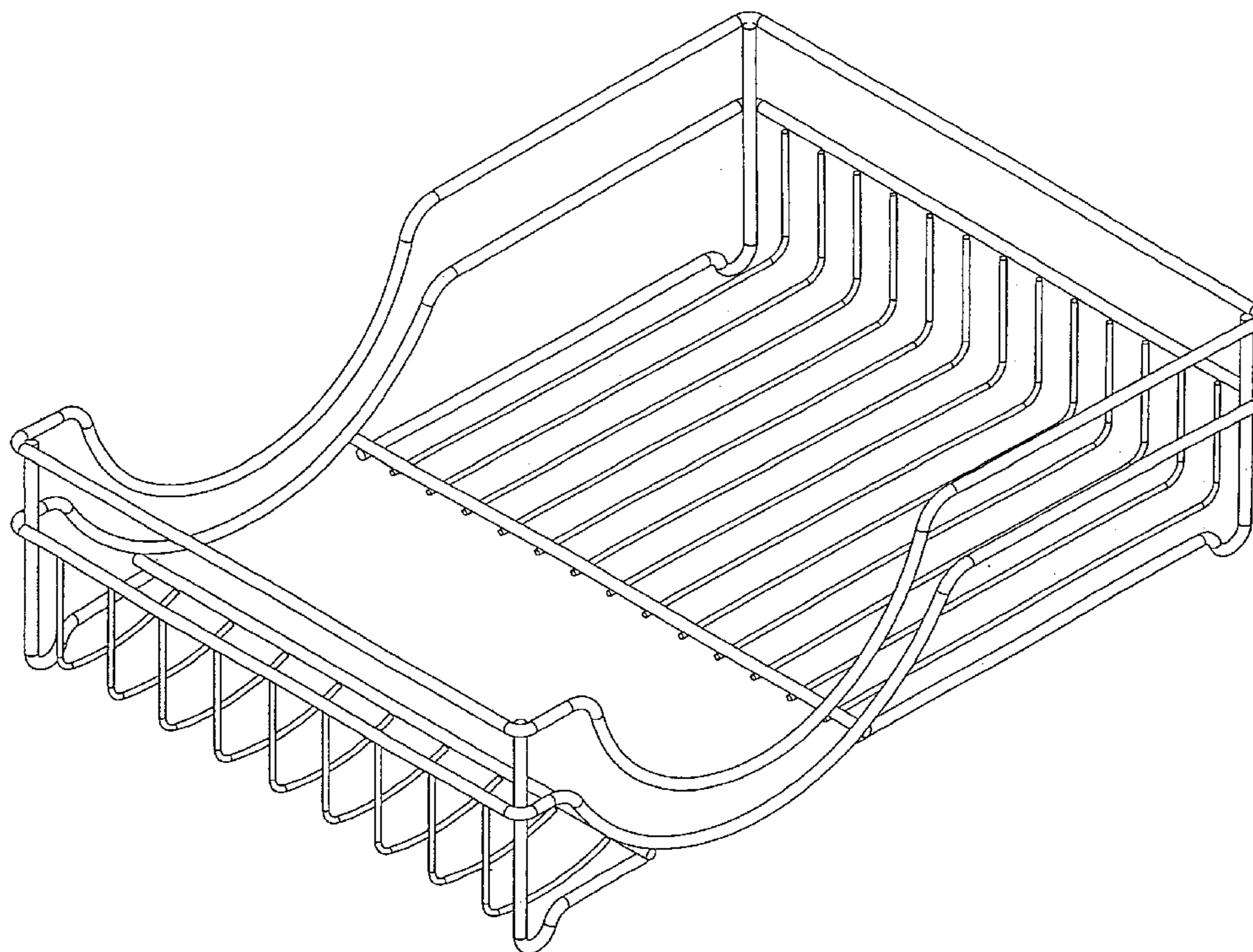
FIG. 3 is a bottom plan view of the dish rack of FIG. 1;

FIG. 4 is a front view of the dish rack of FIG. 1, the rear view being symmetrical thereto;

FIG. 5 is one side view of the dish rack of FIG. 1; and,

FIG. 6 is another side view of the dish rack of FIG. 1.

**1 Claim, 6 Drawing Sheets**



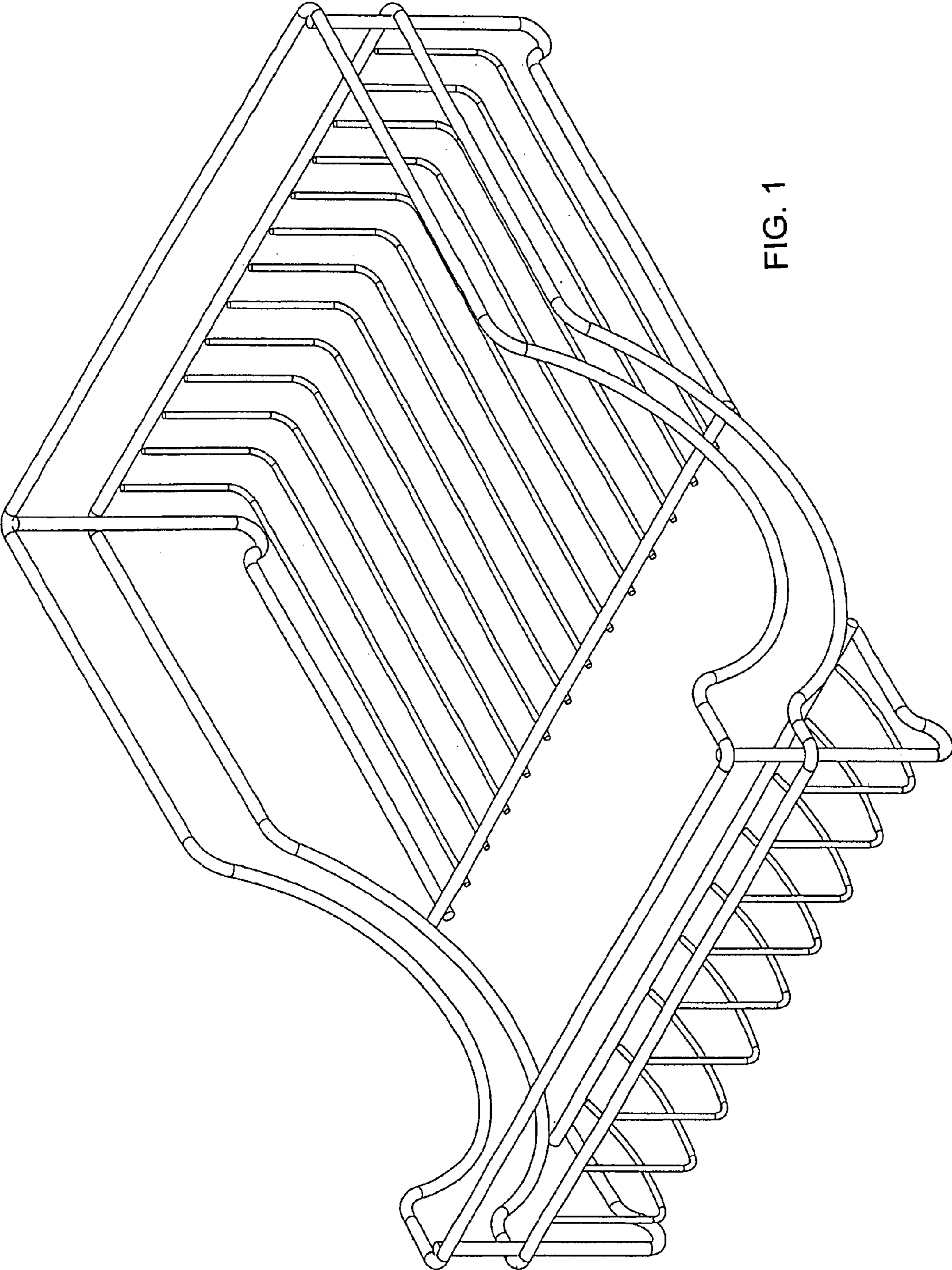


FIG. 1

FIG. 2

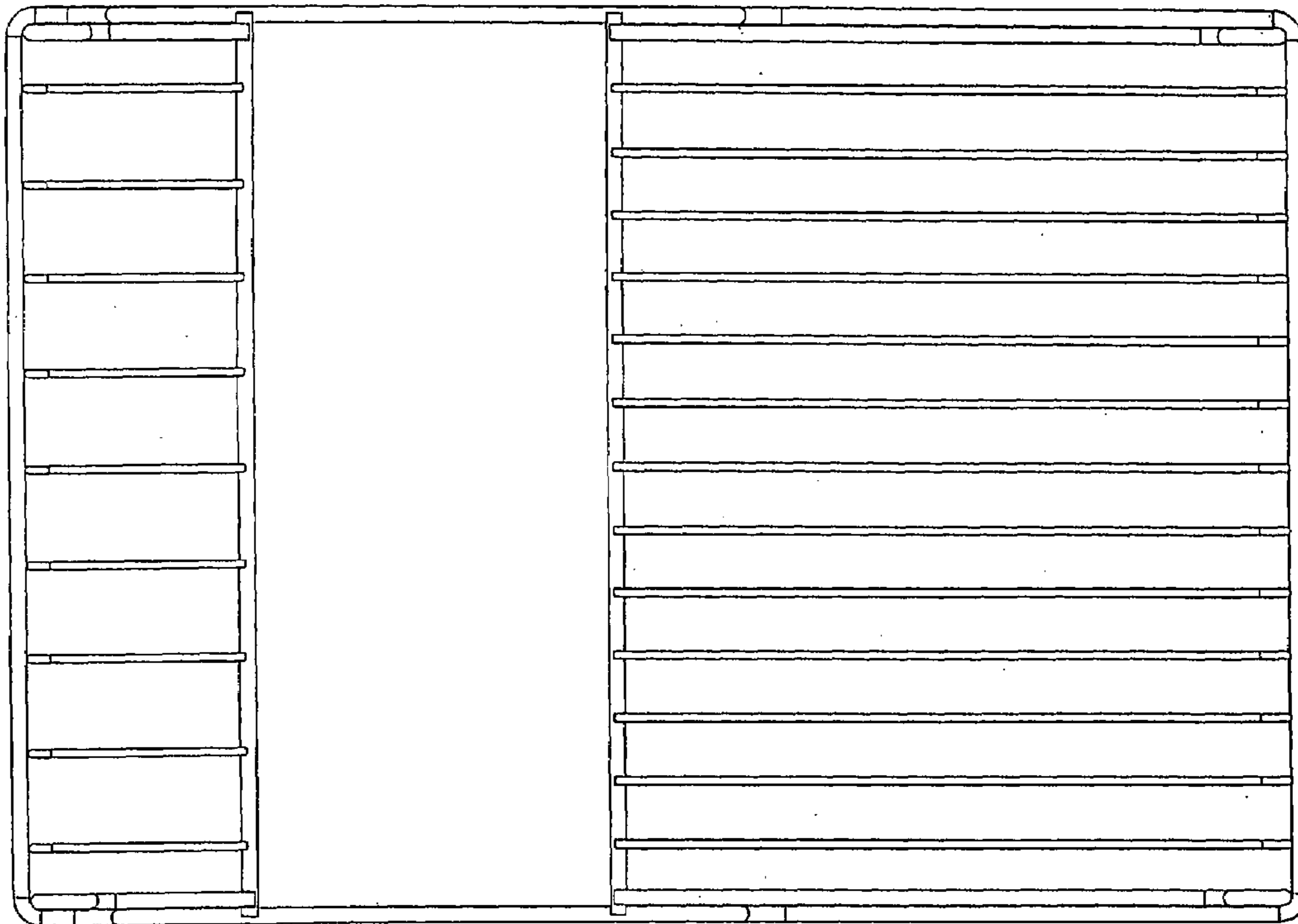
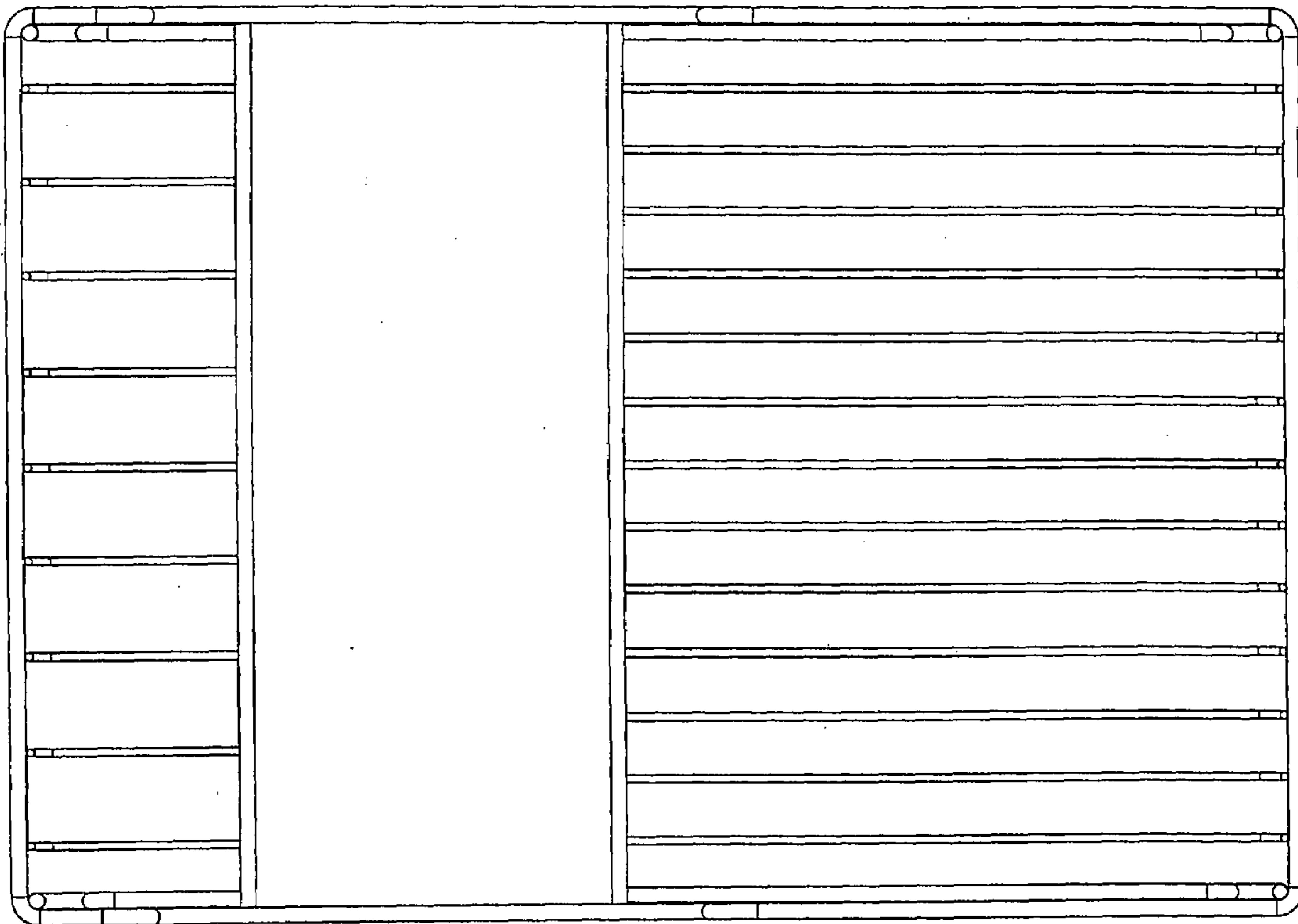


FIG. 3



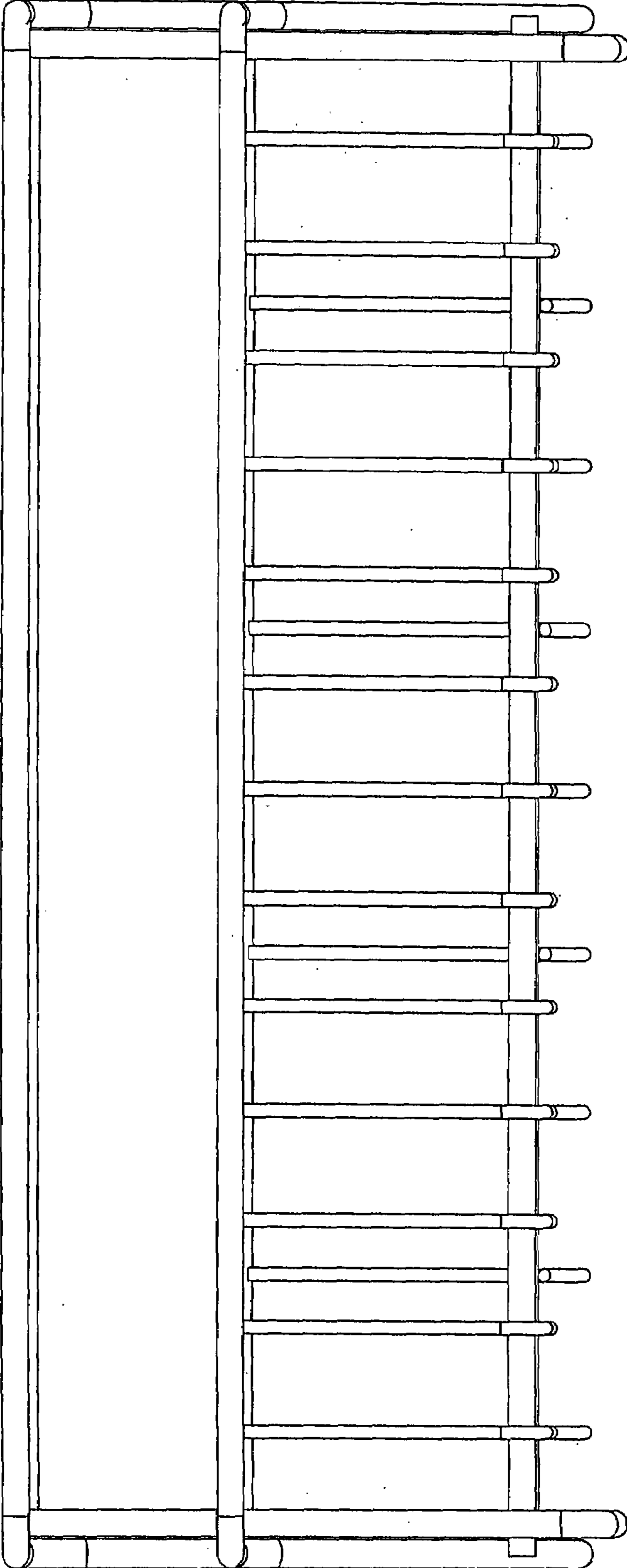


FIG. 4



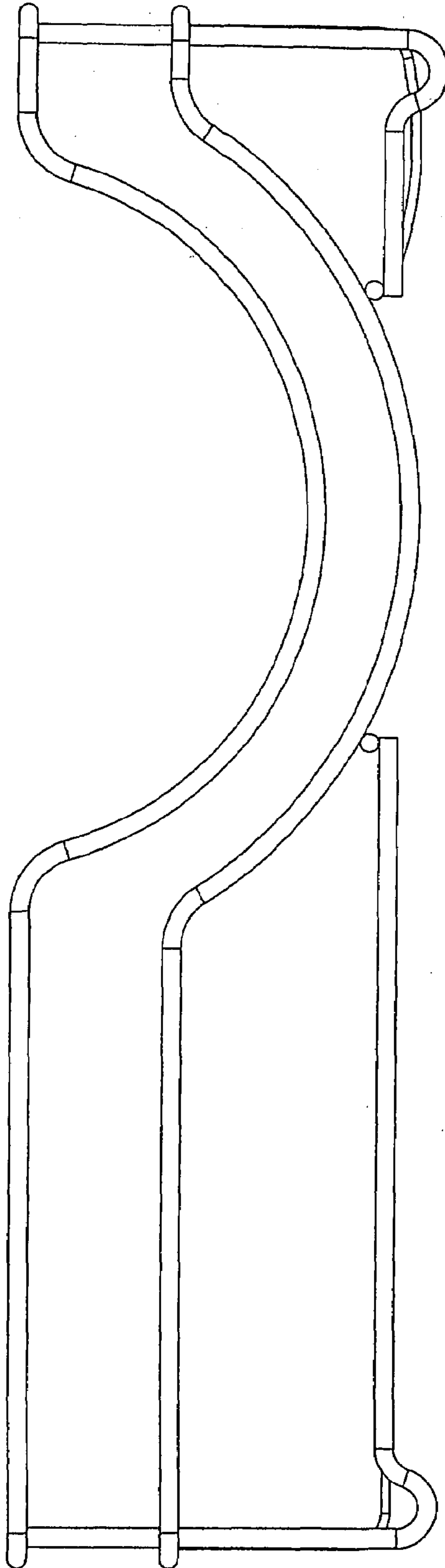


FIG. 5

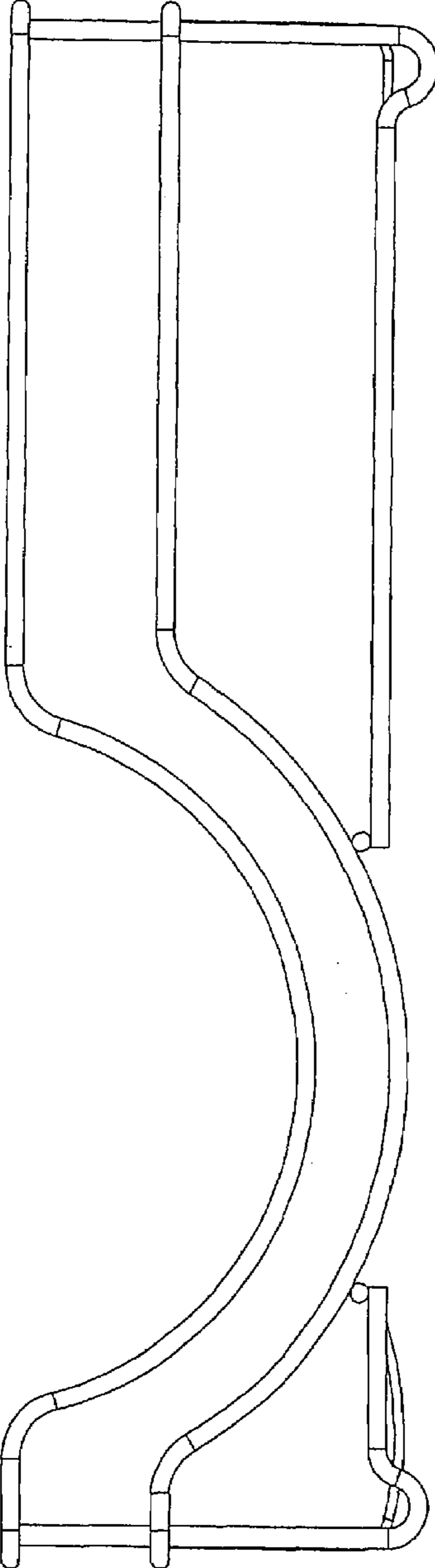


FIG. 6