



US00D554317S

(12) **United States Design Patent**
Romano

(10) **Patent No.:** **US D554,317 S**

(45) **Date of Patent:** **** Oct. 30, 2007**

(54) **PAINT BRUSH HOLDER**

(76) Inventor: **Bernard Romano**, 26 Joicey Blvd.,
Toronto, Ontario (CA) M5M 2S7

(**) Term: **14 Years**

(21) Appl. No.: **29/254,582**

(22) Filed: **Feb. 27, 2006**

(30) **Foreign Application Priority Data**

Aug. 25, 2005 (CA) 112388

(51) **LOC (8) Cl.** **07-07**

(52) **U.S. Cl.** **D32/54**

(58) **Field of Classification Search** D32/53,
D32/53.1, 54; 220/697, 699-701, 735-736;
248/110, 113, 309.4; D8/394-395

See application file for complete search history.

(56) **References Cited**

U.S. PATENT DOCUMENTS

D199,428 S *	10/1964	De Santo	D32/54
3,275,187 A *	9/1966	Lamoureaux	220/700
4,949,864 A *	8/1990	LaKier	220/697
5,375,736 A *	12/1994	Gonzalez et al.	220/697
D383,272 S *	9/1997	McDonald	D32/54
6,175,987 B1 *	1/2001	Harvey	15/257.01
D473,689 S *	4/2003	Verhaar	D32/54
6,681,952 B2 *	1/2004	Mowe	220/697
6,820,848 B1 *	11/2004	Adam	248/213.2
6,866,172 B2 *	3/2005	Shackelford	224/148.4

* cited by examiner

Primary Examiner—Pamela J. Burgess

(74) *Attorney, Agent, or Firm*—Dinnock Stratton LLP;
Adrian M. Kaplan

(57) **CLAIM**

The ornamental design for a paint brush holder, as shown and described.

DESCRIPTION

FIG. 1 is a top perspective view of the paint brush holder.

FIG. 2 is a top view of the paint brush holder.

FIG. 3 is a bottom perspective view of the paint brush holder.

FIG. 4 is a bottom view of the paint brush holder.

FIG. 5 is a right side elevational view of the paint brush holder, the left elevation view being a mirror image thereof.

FIG. 6 is a rear elevational view of the paint brush holder.

FIG. 7 is a front elevational view of the paint brush holder.

FIG. 8 is a perspective view of the paint brush holder attached to a paint can; and,

FIG. 9 is a perspective view of the paint brush holder attached to a paint can holding a paint brush in position.

The broken lines shown in the Figures are for illustrative purposes only and form no part of the claimed design.

1 Claim, 4 Drawing Sheets

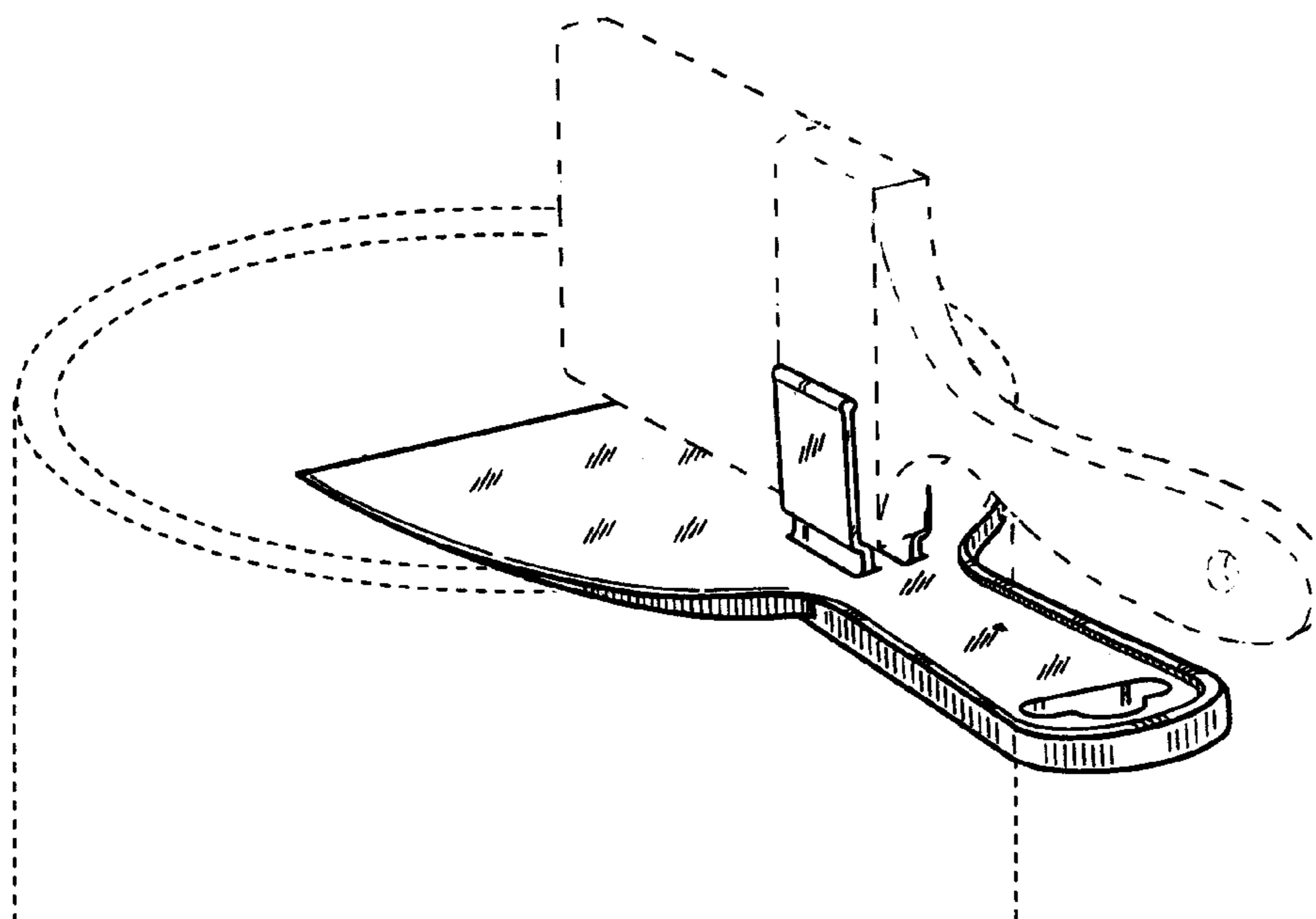


FIG.1.

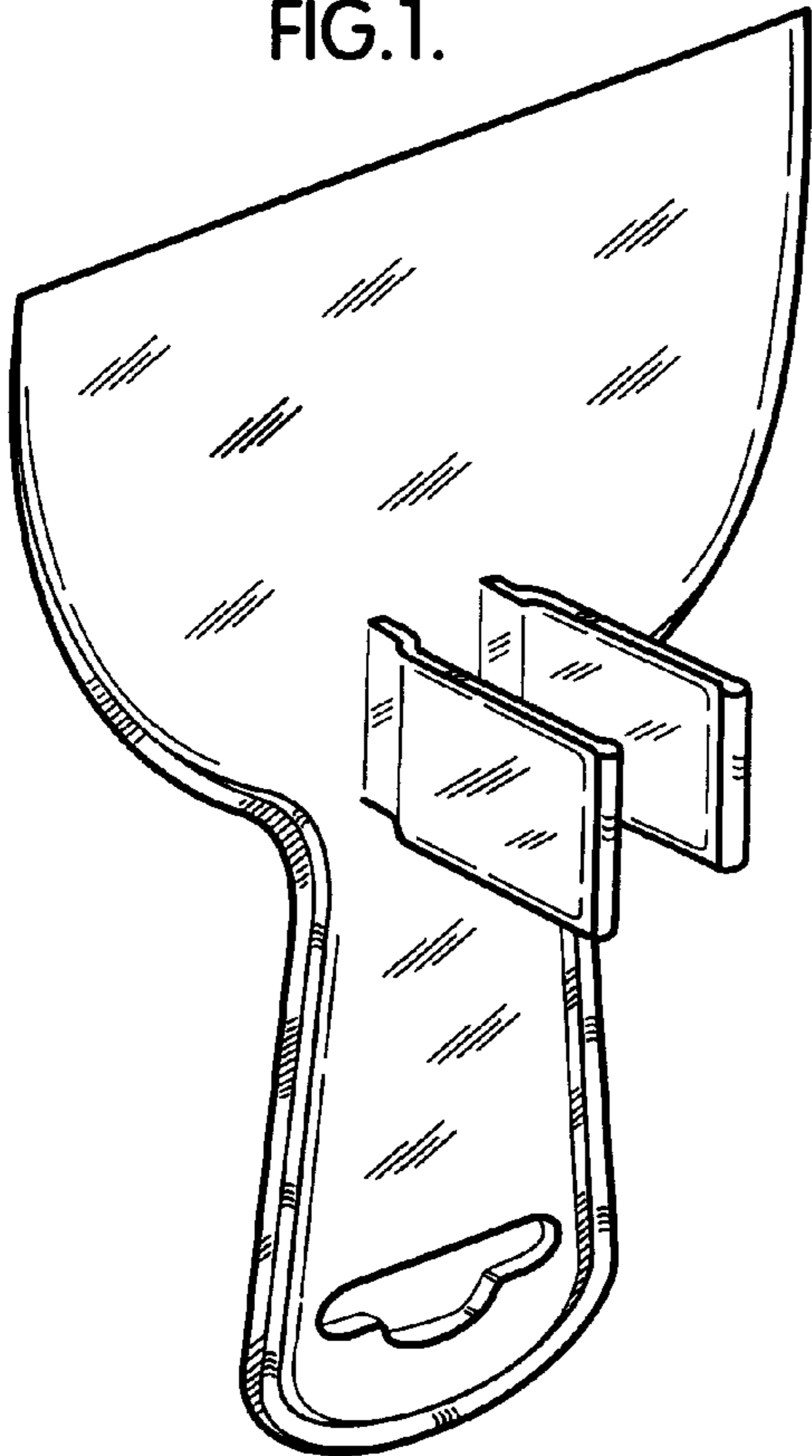


FIG.2.

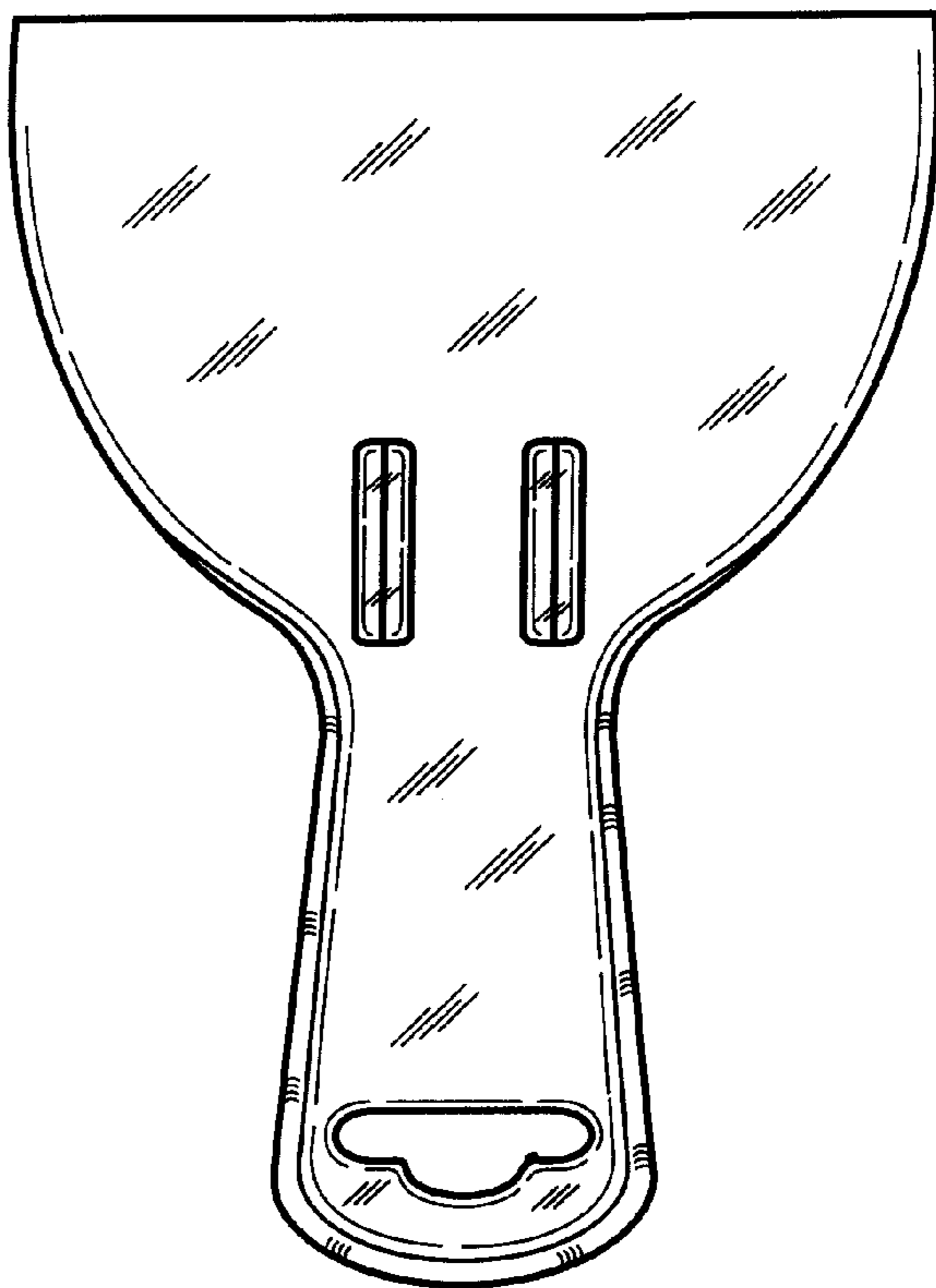


FIG.3.

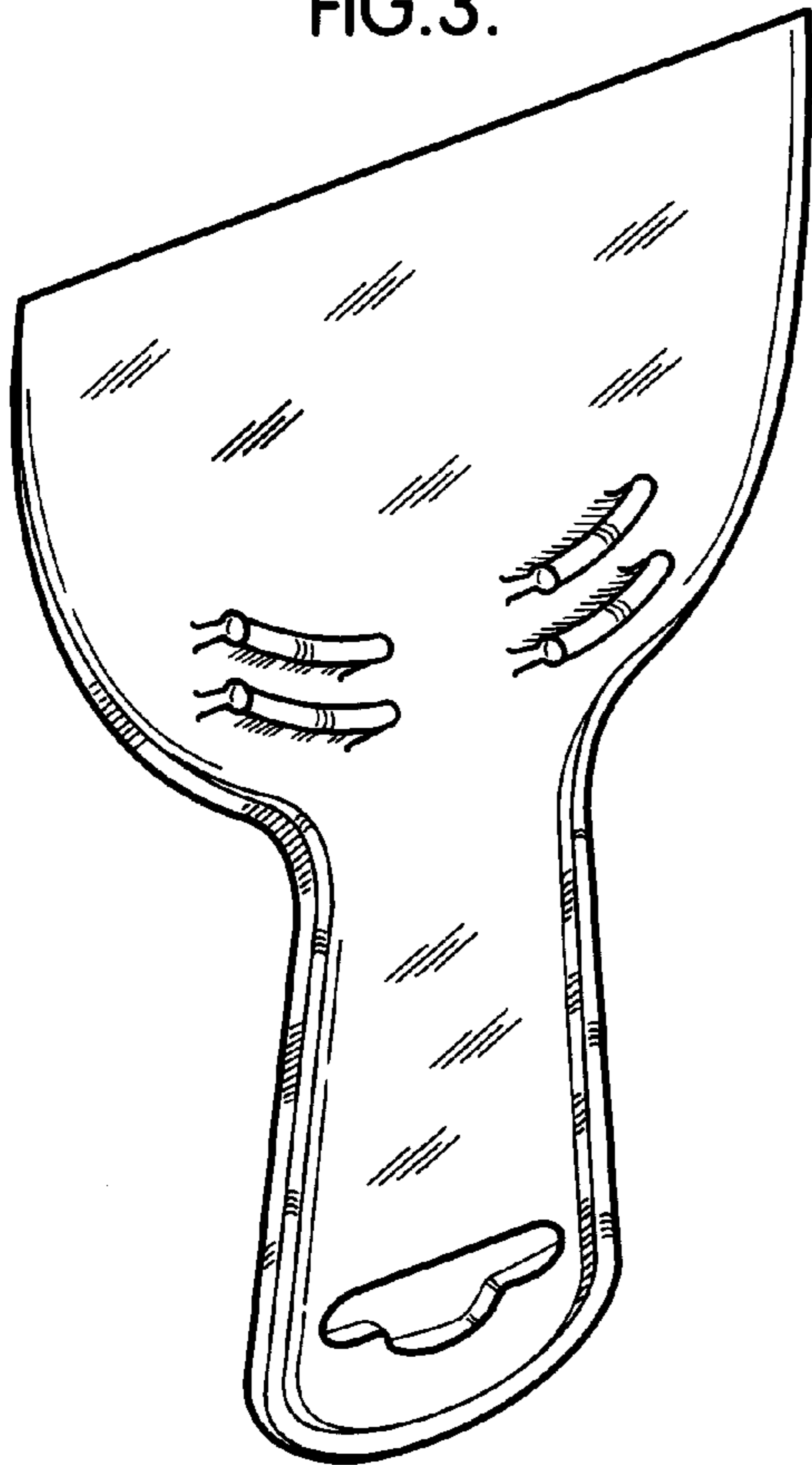


FIG.4.

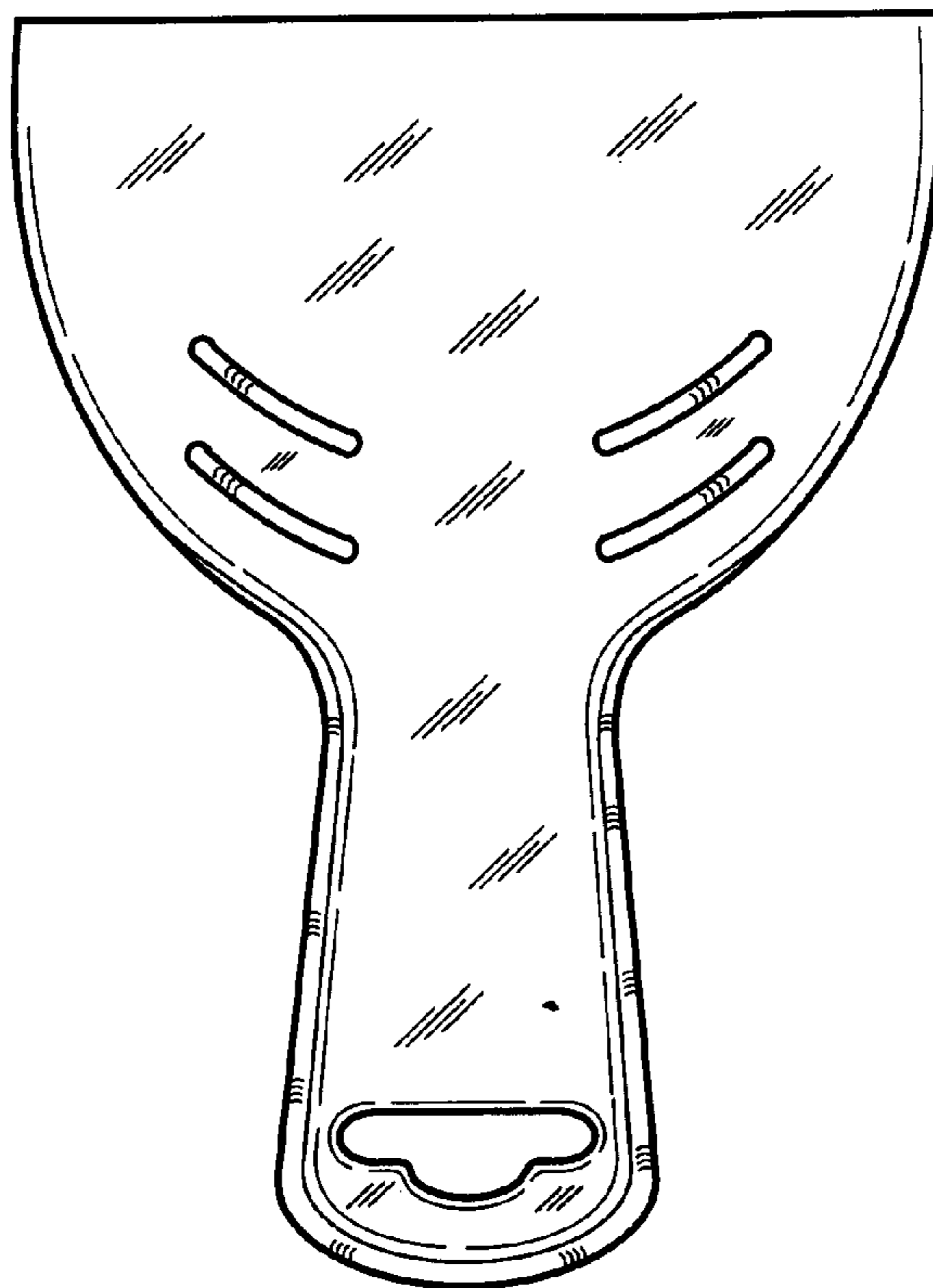


FIG.5.

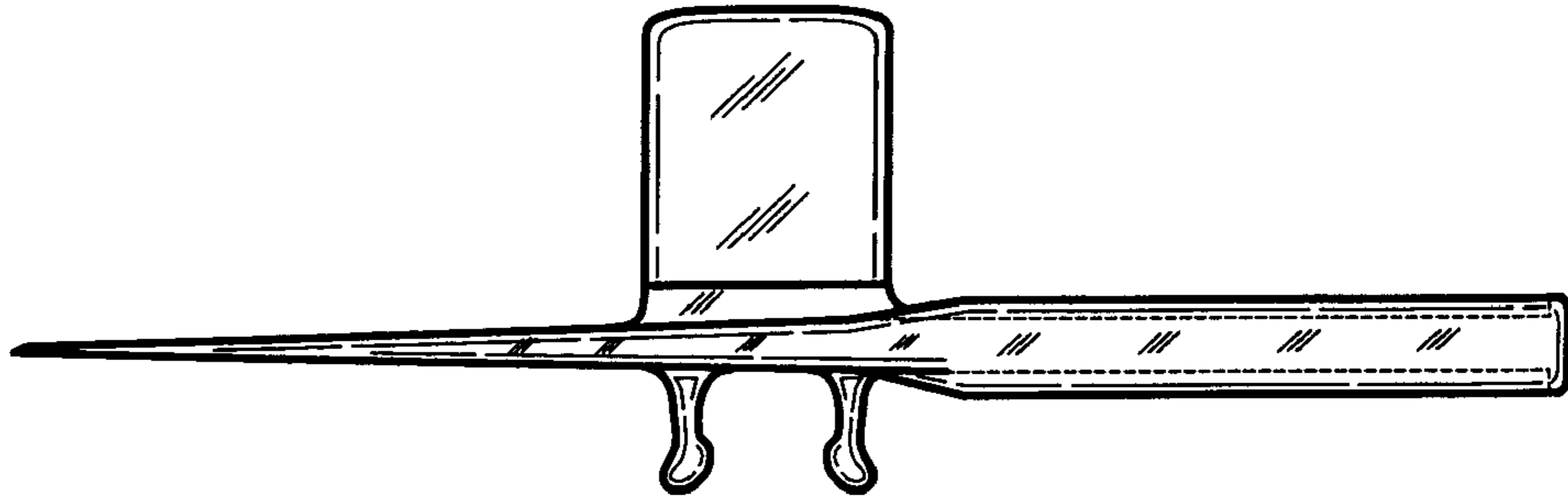


FIG.6.

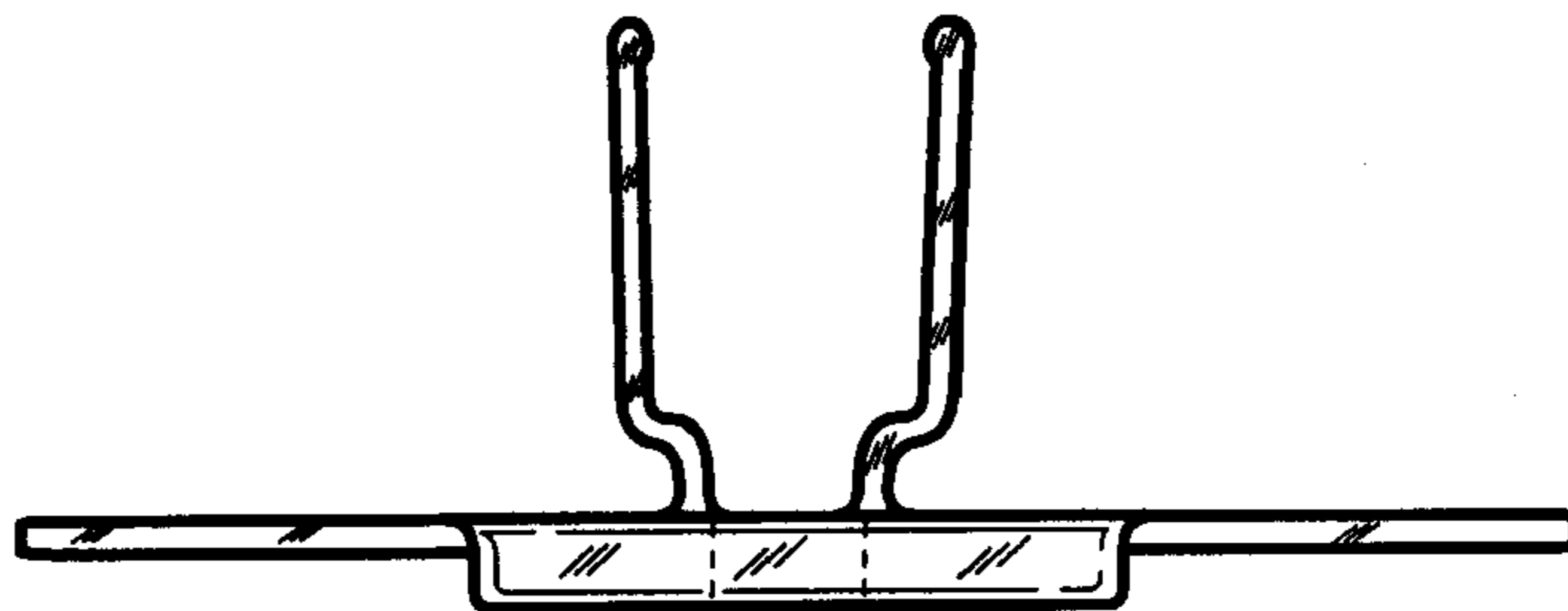


FIG.7.

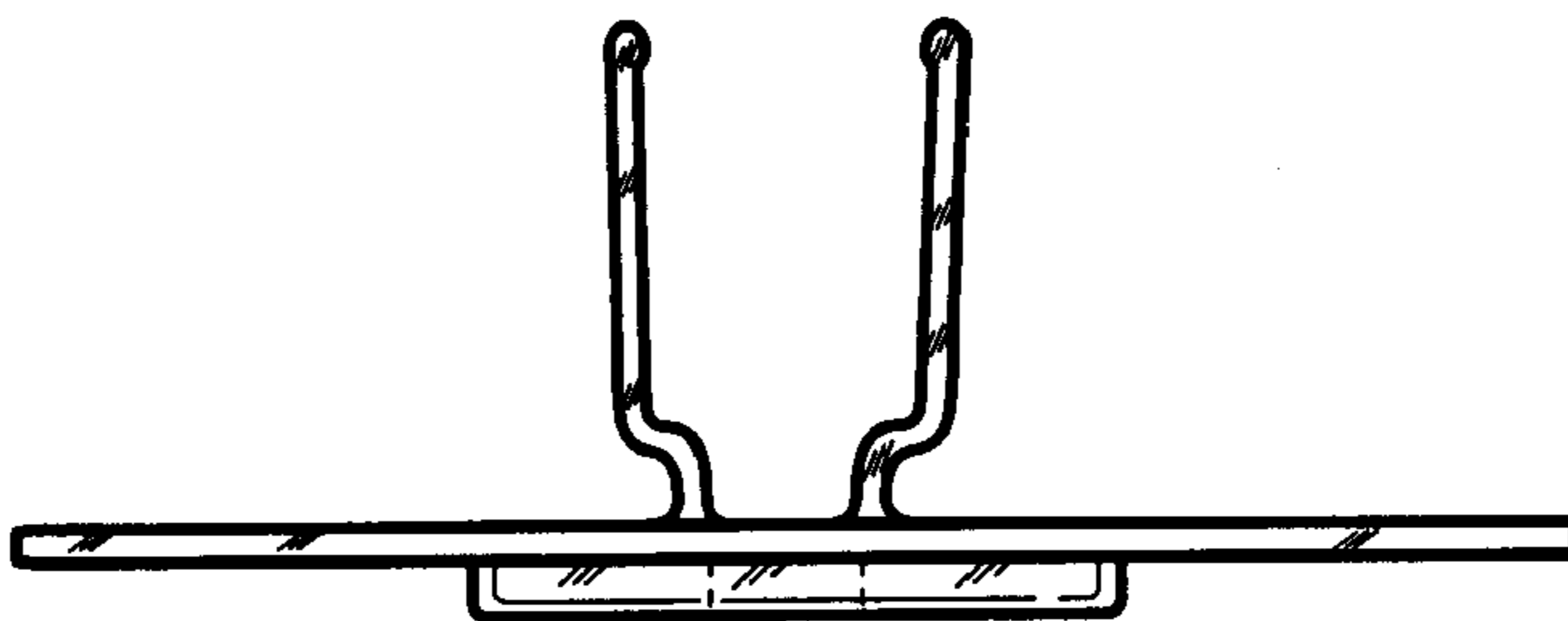


FIG. 8.

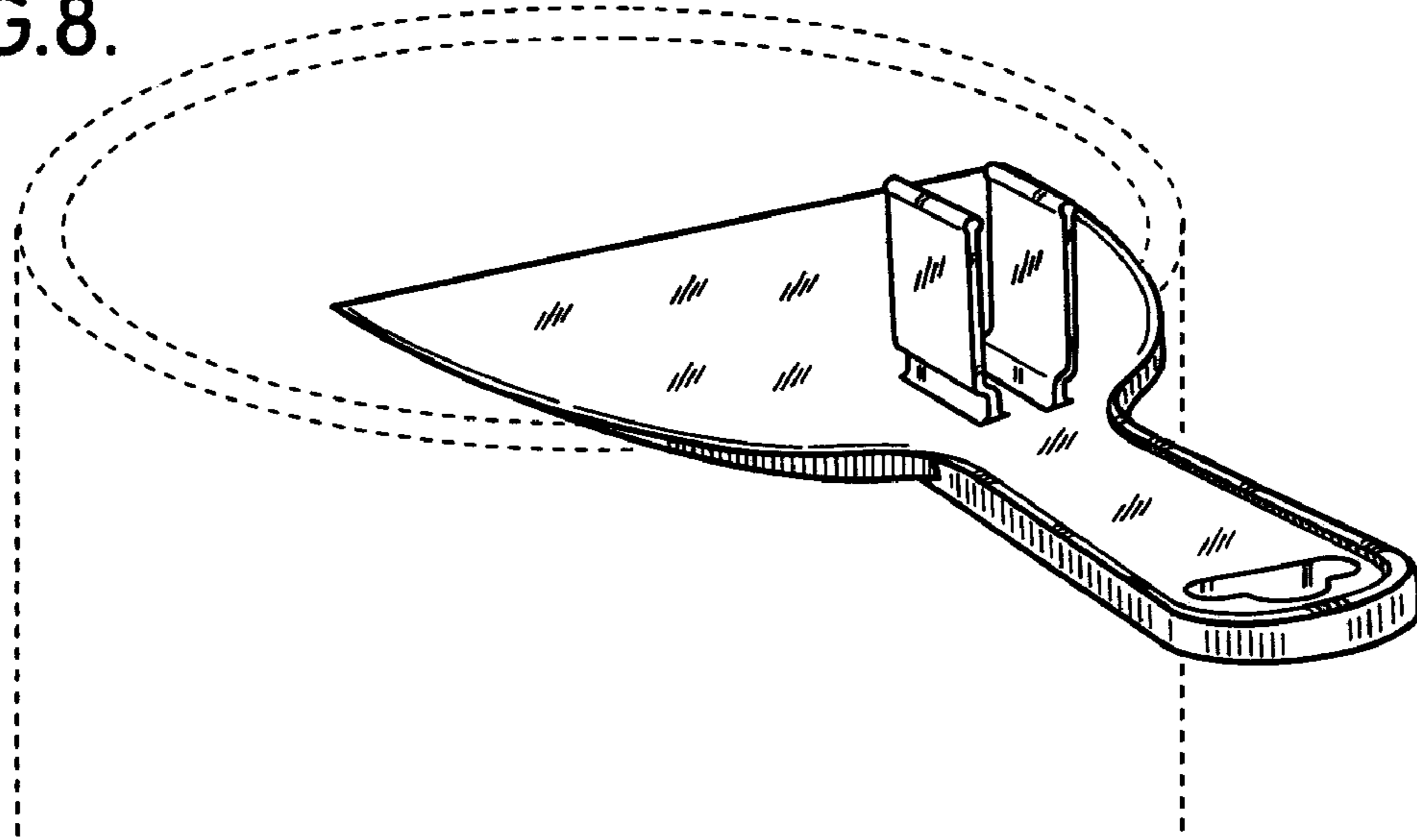


FIG. 9.

