



US00D554315S

(12) **United States Design Patent**  
**Schouten**

(10) **Patent No.:** **US D554,315 S**

(45) **Date of Patent:** **\*\* Oct. 30, 2007**

(54) **AUTOMOTIVE WASHING DEVICE HANDLE**

(75) Inventor: **Pieter Schouten**, Berkley, CA (US)

(73) Assignee: **Carrand Companies, Inc.**, Compton, CA (US)

(\*\*) Term: **14 Years**

(21) Appl. No.: **29/275,165**

(22) Filed: **Dec. 15, 2006**

(51) **LOC (8) Cl.** ..... **04-01**

(52) **U.S. Cl.** ..... **D32/52**

(58) **Field of Classification Search** ..... D32/52,  
D32/46, 40, 42; D28/44.1; D7/688; 15/210.1,  
15/244.1, 244.4, 229.11, 236.01, 236.02,  
15/225, 245, 245.1, 236.05, 236.07; 30/169  
See application file for complete search history.

(56) **References Cited**

**U.S. PATENT DOCUMENTS**

D46,895 S *	2/1915	Campbell	.....	D32/46
D354,595 S *	1/1995	Wasak	.....	D4/137
5,781,957 A *	7/1998	Scholl	.....	D32/46
5,813,084 A *	9/1998	Hadaway	.....	15/236.05
6,233,771 B1 *	5/2001	Hortel et al.	.....	8/150
D499,852 S *	12/2004	Trunecek	.....	D32/46
6,925,675 B1 *	8/2005	Trunecek	.....	15/236.02
D522,202 S *	5/2006	Huang	.....	D32/52

\* cited by examiner

*Primary Examiner*—Pamela J. Burgess

(74) *Attorney, Agent, or Firm*—George R. McGuire; David L. Nocilly; Bond, Schoenick & King, PLLC

(57) **CLAIM**

The ornamental design for a automotive washing device handle, shown and described.

**DESCRIPTION**

FIG. 1 is a perspective view showing a new and ornamental design for an automotive washing device handle with the washing article shown in phantom for environmental purposes only;

FIG. 2 is a top plan view thereof;

FIG. 3 is a front elevation view thereof, the rear elevation view being a mirror image;

FIG. 4 is a side elevation view thereof, the opposing side being a mirror image;

FIG. 5 is a bottom plan view thereof; and,

FIG. 6 is a perspective view thereof shown in relation to an automobile, the portions shown in phantom being for environmental purposes only and forming no part of the claimed invention.

**1 Claim, 2 Drawing Sheets**

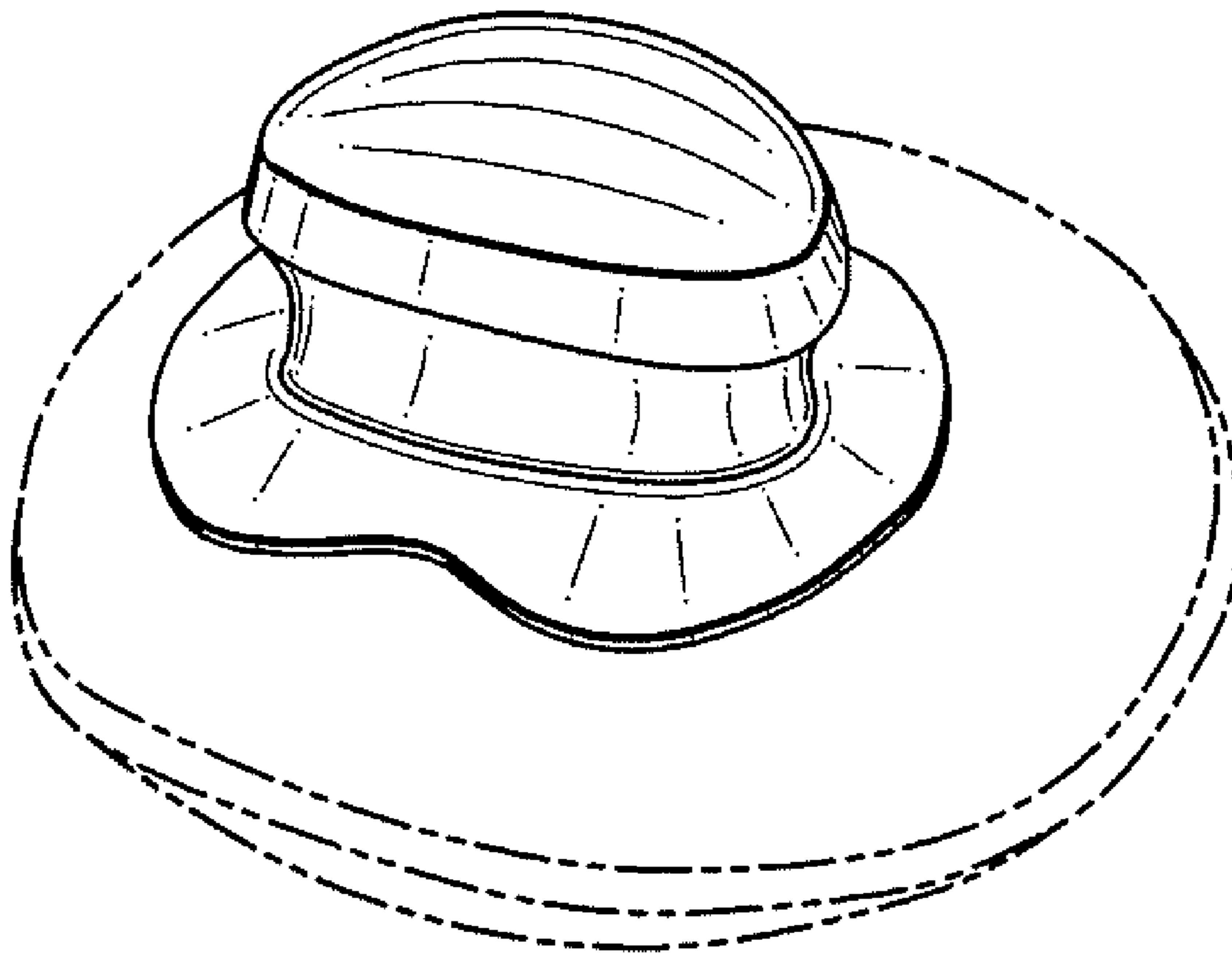


FIG.1

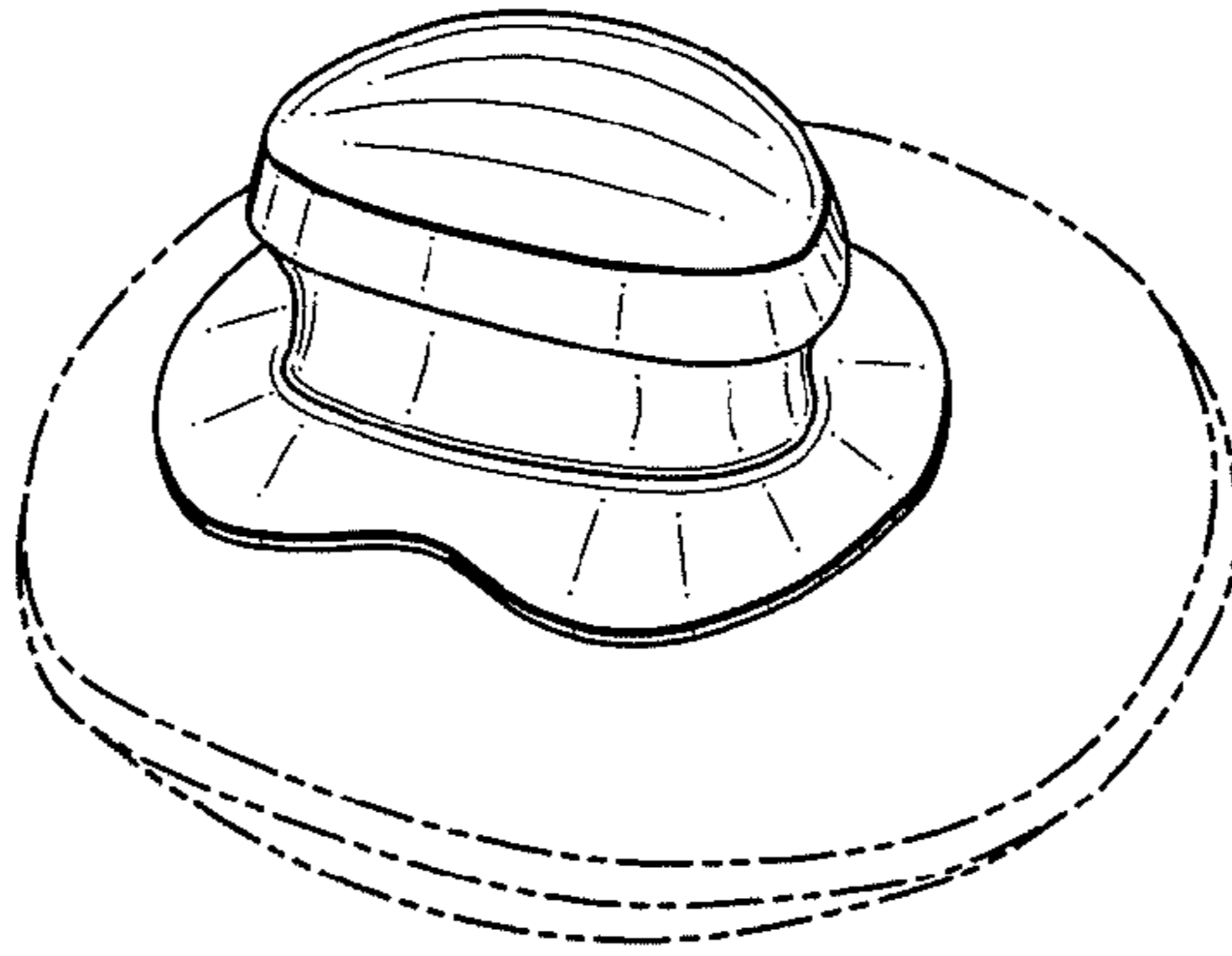


FIG.2

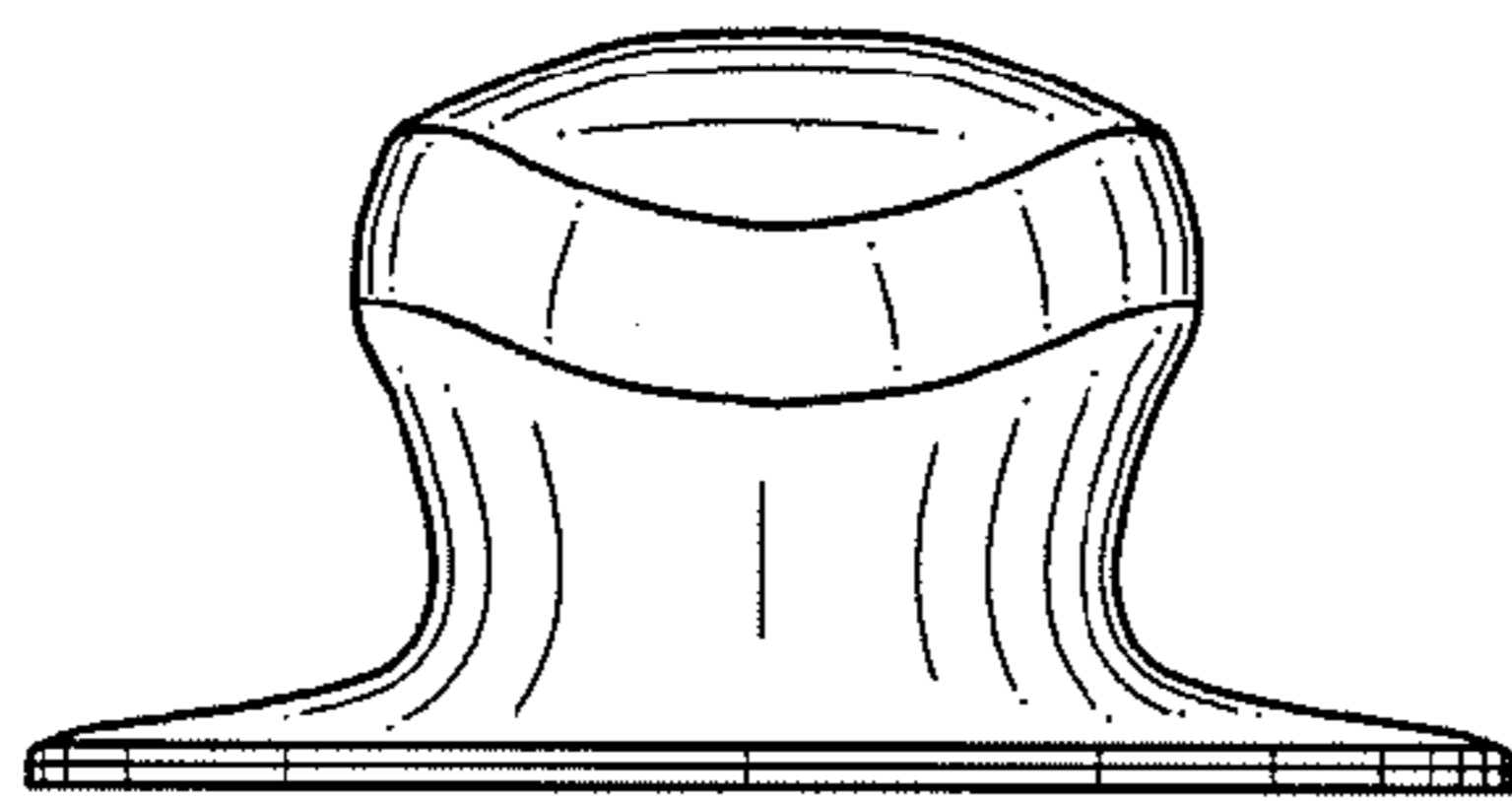
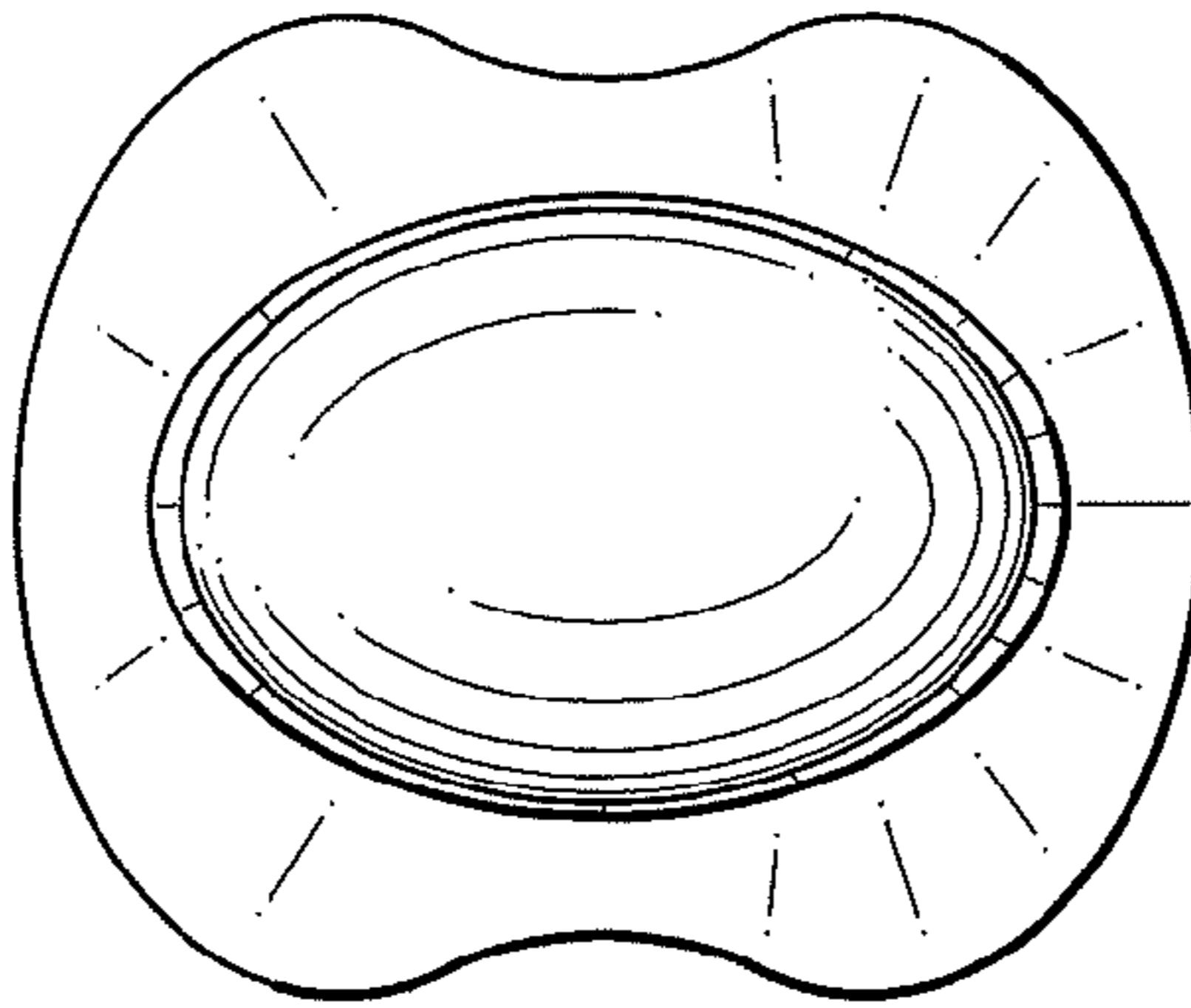


FIG.3

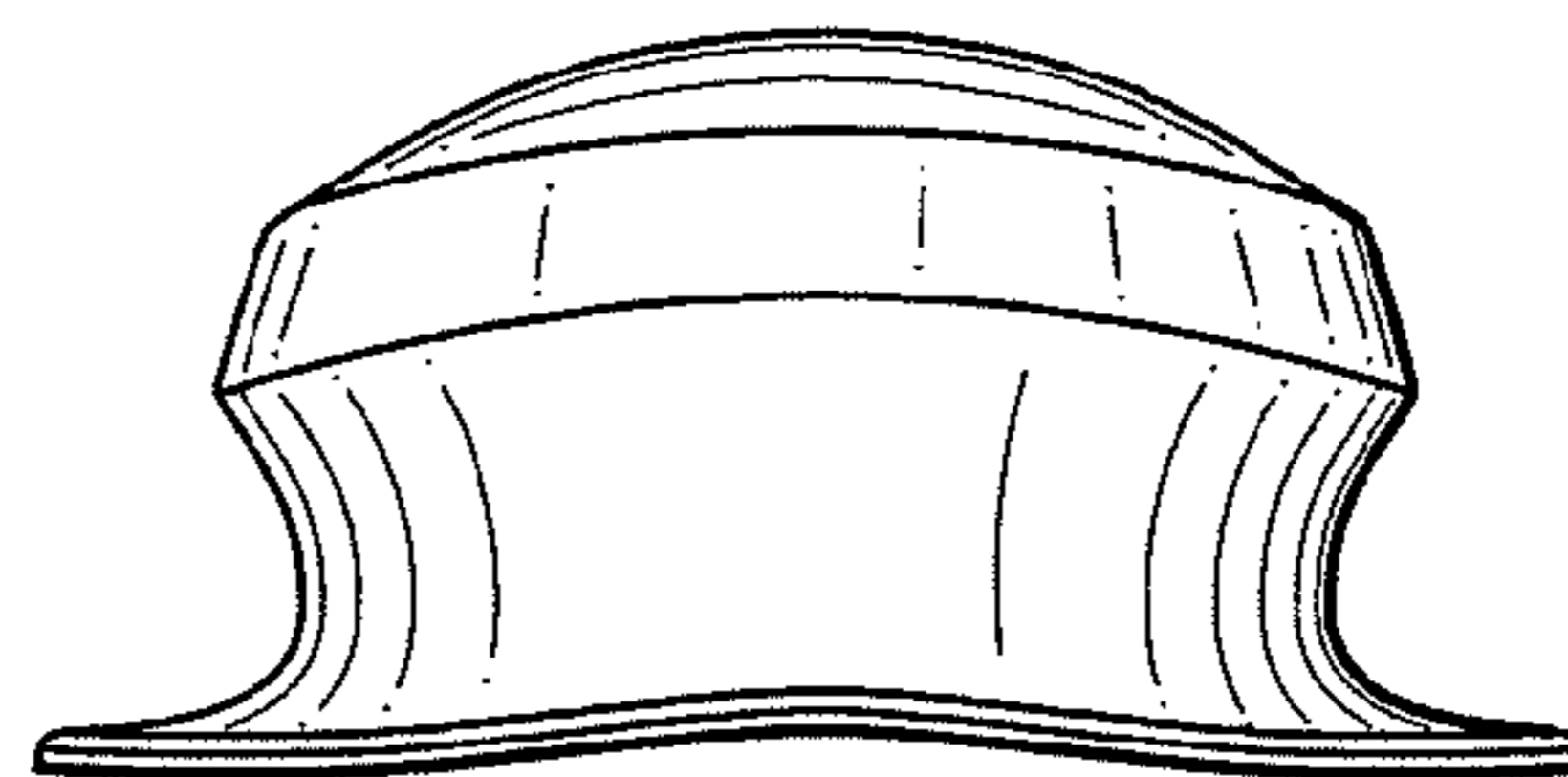
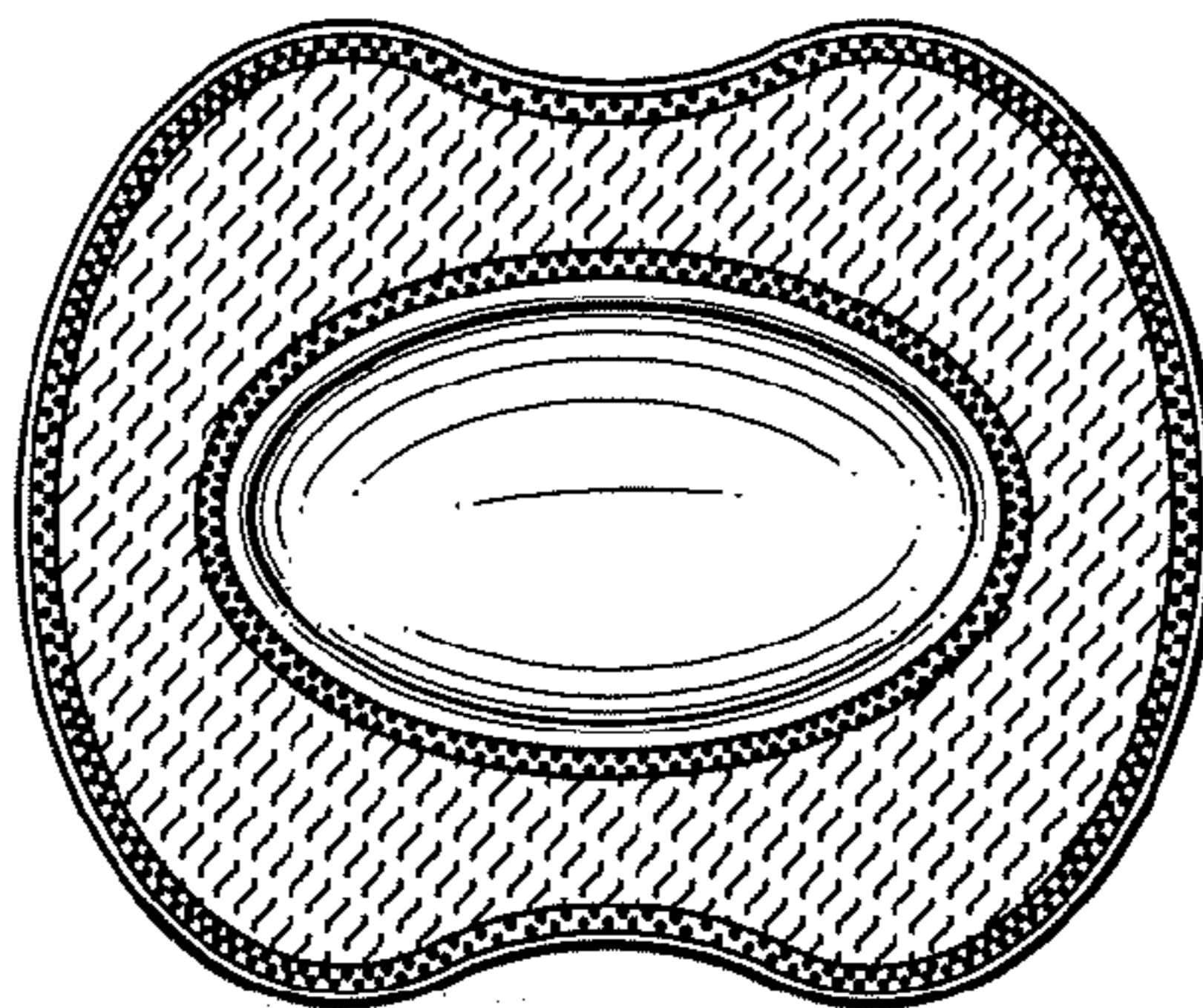


FIG.4

FIG.5



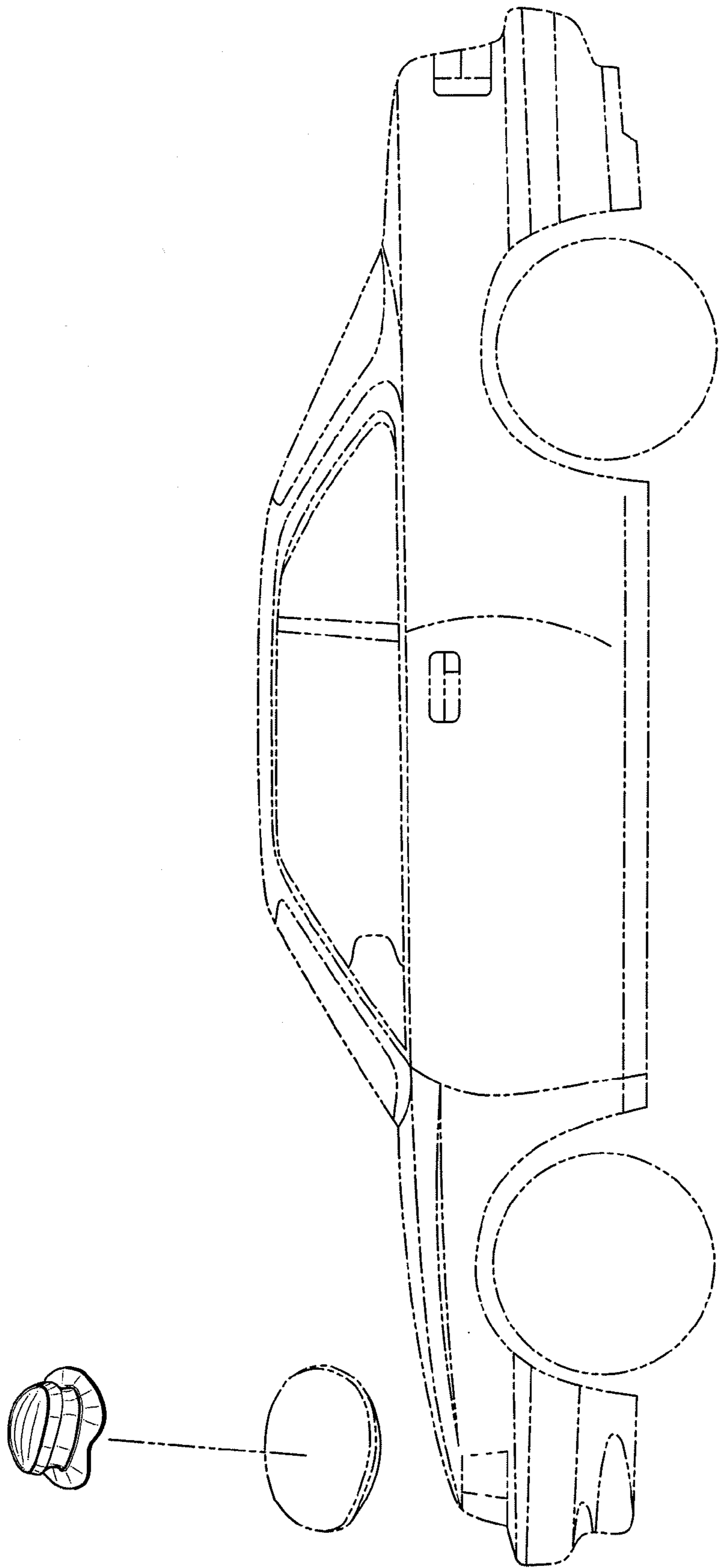


FIG. 6