



US00D554306S

(12) **United States Design Patent**  
**Nam**

(10) **Patent No.:** **US D554,306 S**

(45) **Date of Patent:** **\*\* Oct. 30, 2007**

(54) **WASHING MACHINE**

(75) Inventor: **Yeon Young Nam**, Kyunggi-do (KR)

(73) Assignee: **Samsung Electronics Co., Ltd.** (KR)

(\*\*) Term: **14 Years**

(21) Appl. No.: **29/257,171**

(22) Filed: **Mar. 30, 2006**

(30) **Foreign Application Priority Data**

Dec. 24, 2005 (KR) ..... 30-2005-0043802

(51) **LOC (8) Cl.** ..... **15-05**

(52) **U.S. Cl.** ..... **D32/6**

(58) **Field of Classification Search** ..... D32/1,  
D32/5-10, 25, 28; 68/3 R, 5 R, 12.01; 34/523-524;  
312/31

See application file for complete search history.

(56) **References Cited**

**U.S. PATENT DOCUMENTS**

- D465,307 S \* 11/2002 Du et al. .... D32/6
- D465,622 S \* 11/2002 Wang et al. .... D32/6
- D496,513 S \* 9/2004 Tsuda et al. .... D32/8
- D515,256 S \* 2/2006 Tsuda et al. .... D32/5
- D517,256 S \* 3/2006 Kim ..... D32/6
- D520,193 S \* 5/2006 Yokoyama ..... D32/5

D524,493 S \* 7/2006 Choi et al. .... D32/6

\* cited by examiner

*Primary Examiner*—Catherine R. Oliver

*Assistant Examiner*—Kathleen Sims

(74) *Attorney, Agent, or Firm*—Irving Keschner

(57) **CLAIM**

The ornamental design for washing machine, as shown.

**DESCRIPTION**

FIG. 1 is a perspective view of the ornamental design of the present invention;

FIG. 2 is a front elevational view of the ornamental design of the present invention;

FIG. 3 is a rear elevational view of the ornamental design of the present invention;

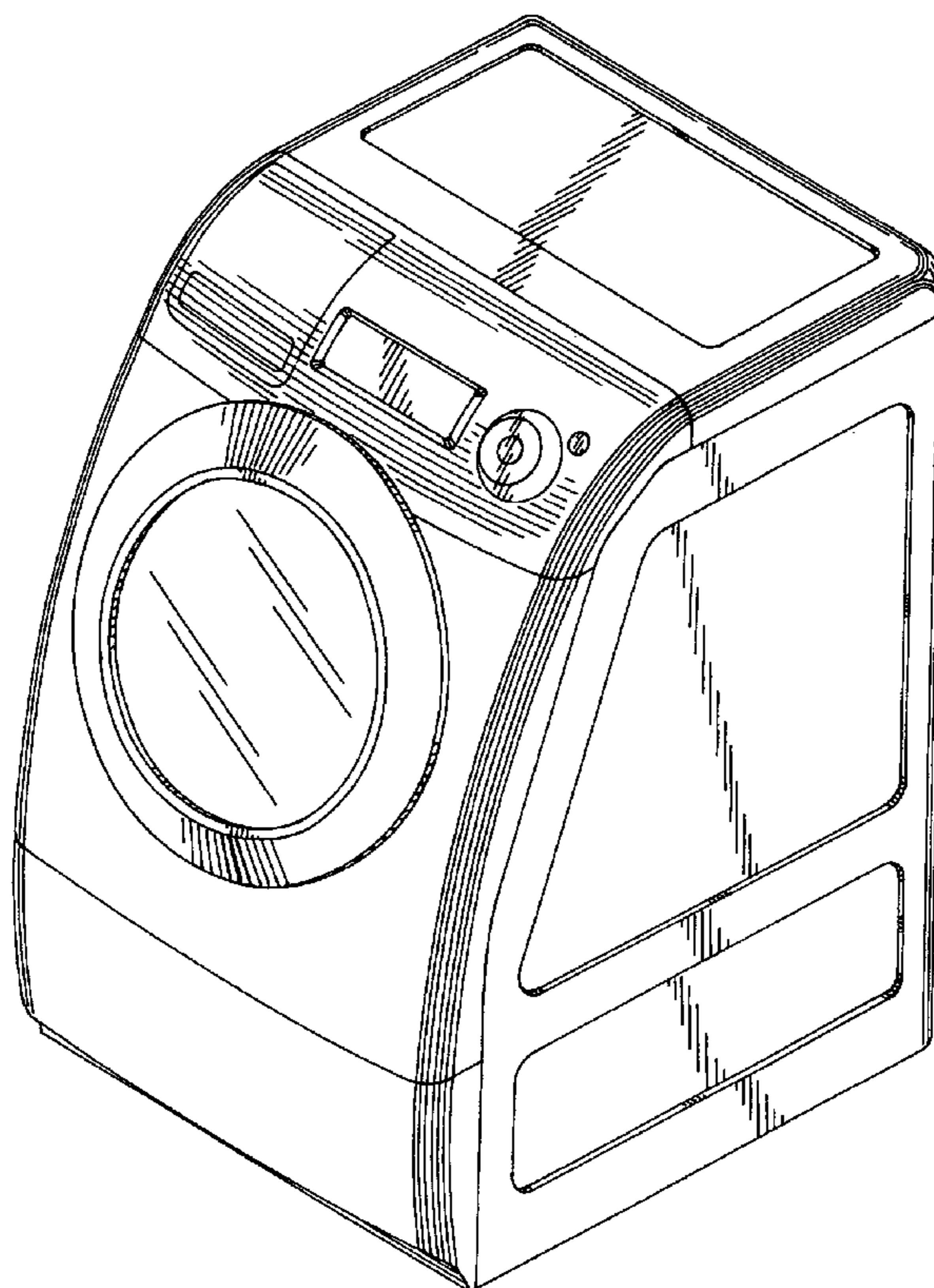
FIG. 4 is a left side elevational view of the ornamental design of the present invention;

FIG. 5 is a right side elevational view of the ornamental design of the present invention;

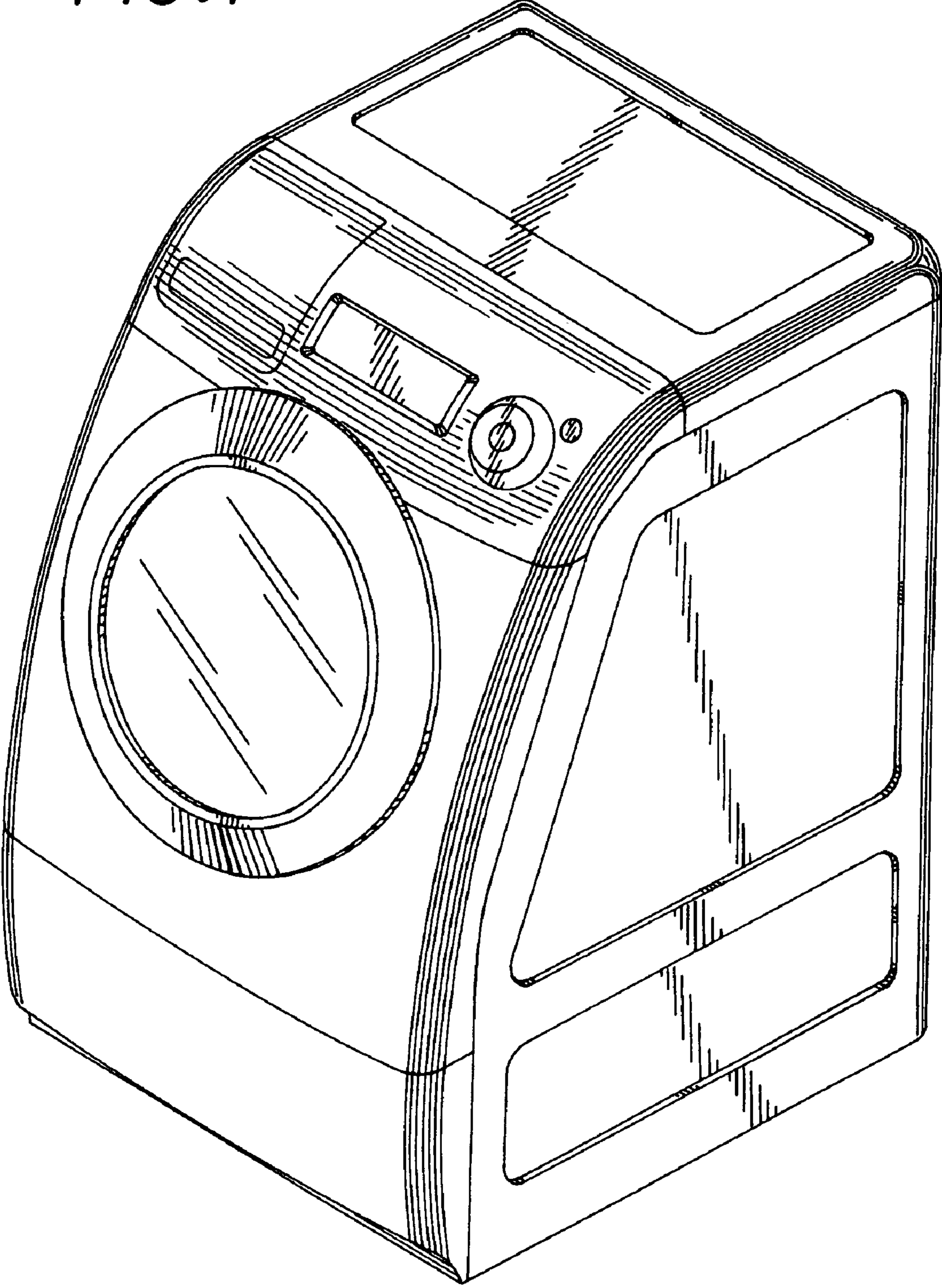
FIG. 6 is a top plan view of the ornamental design of the present invention; and,

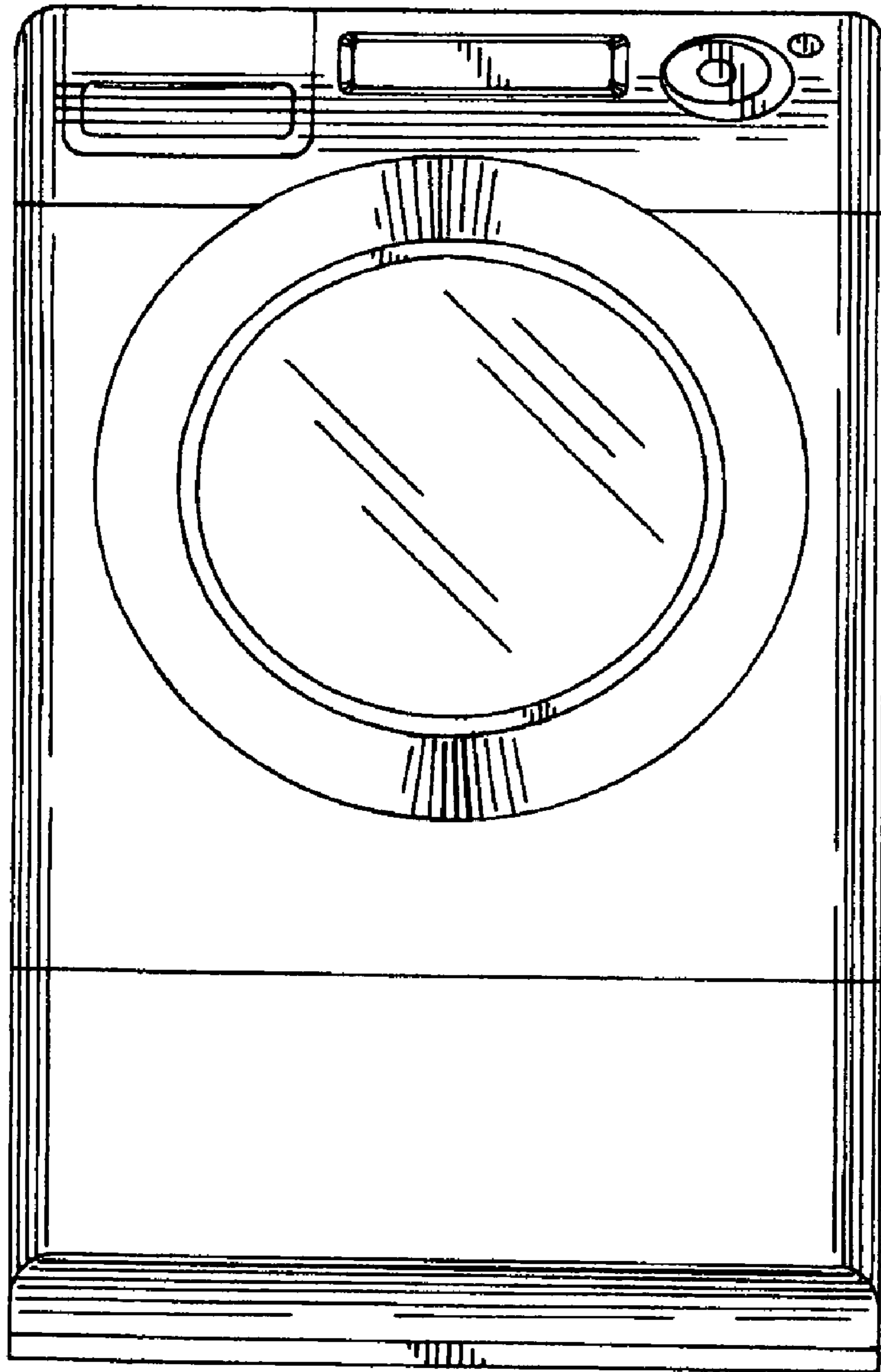
FIG. 7 is a bottom view of the ornamental design of the present invention.

**1 Claim, 6 Drawing Sheets**

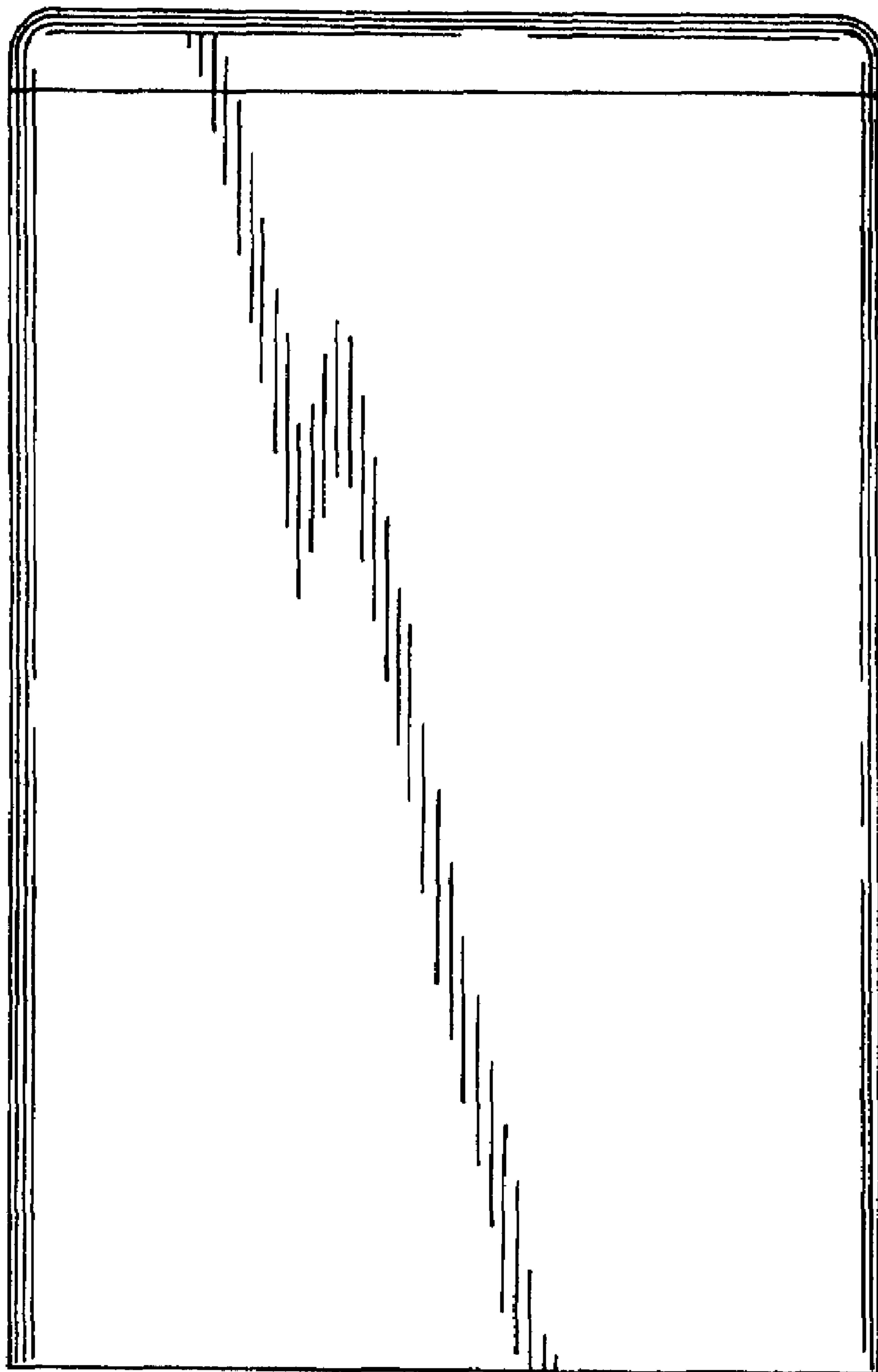


*FIG. 1*

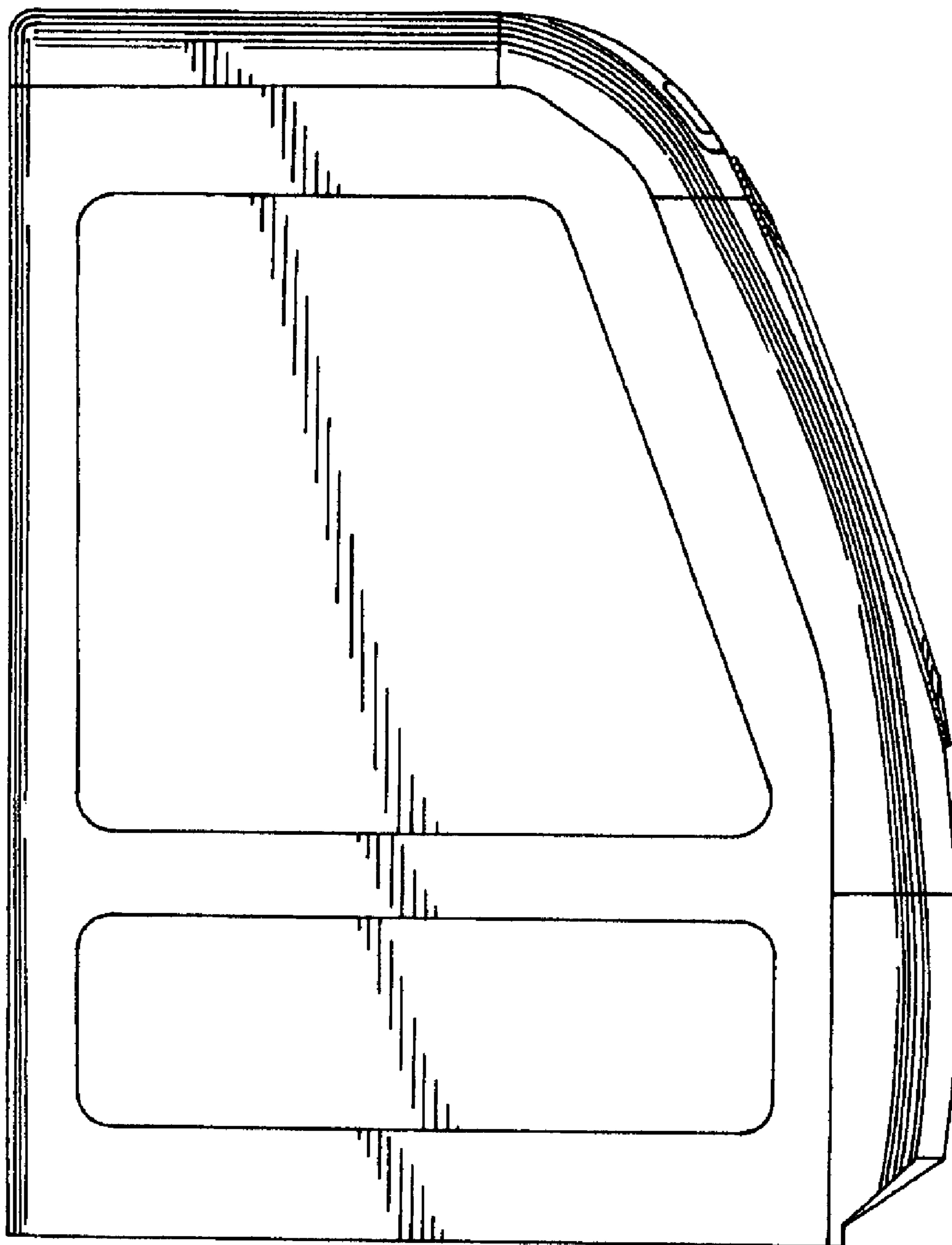




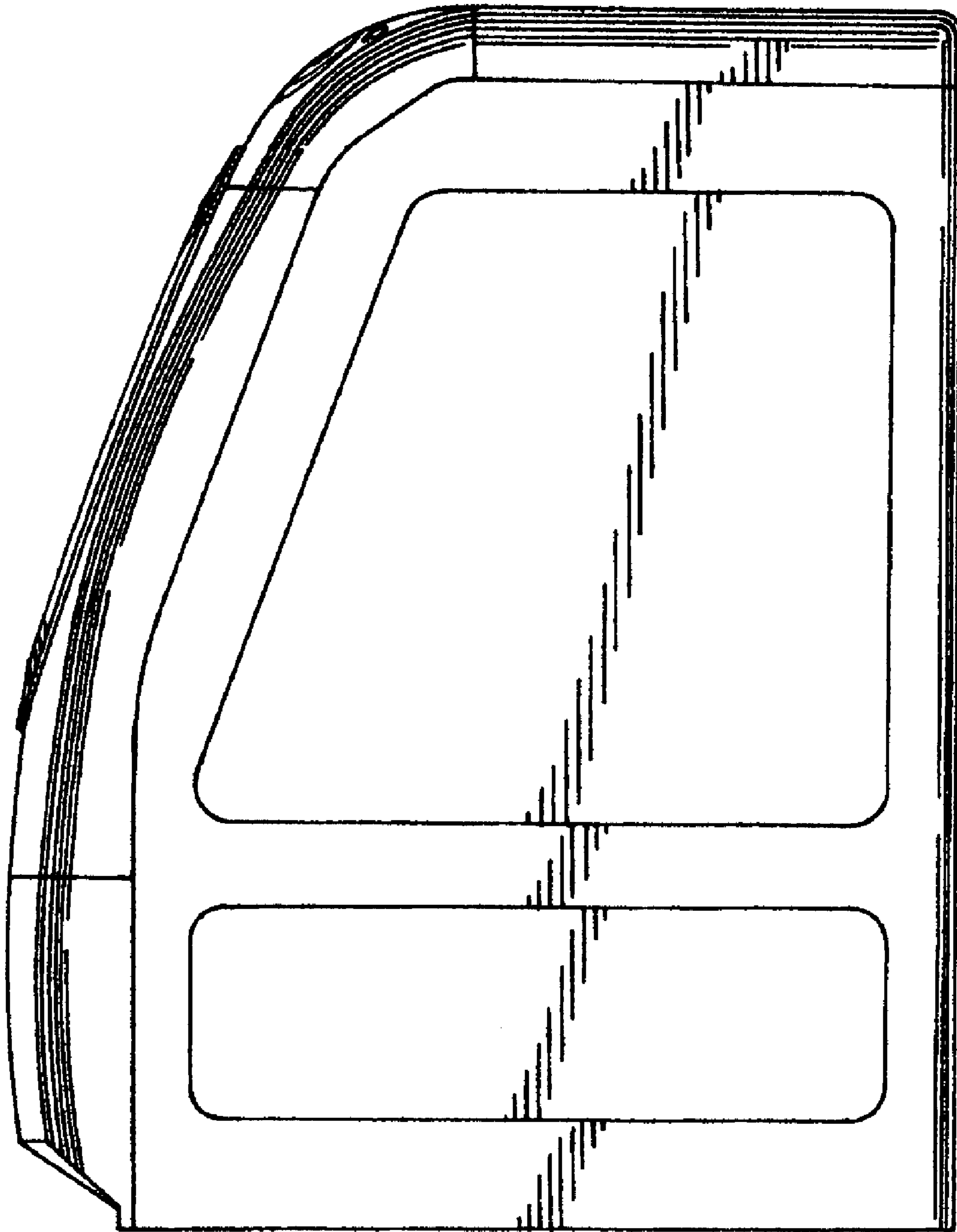
*FIG. 2*



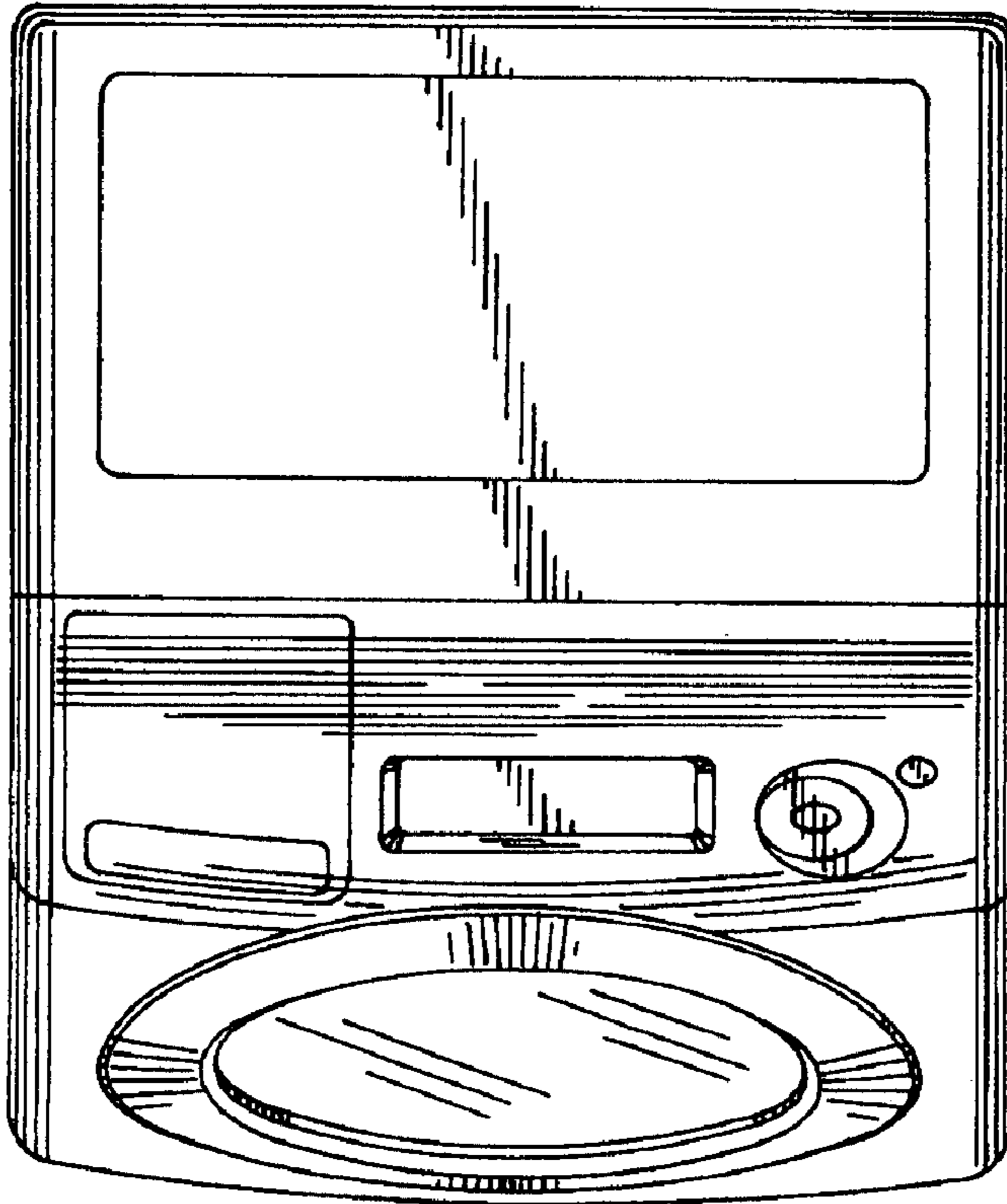
*FIG. 3*



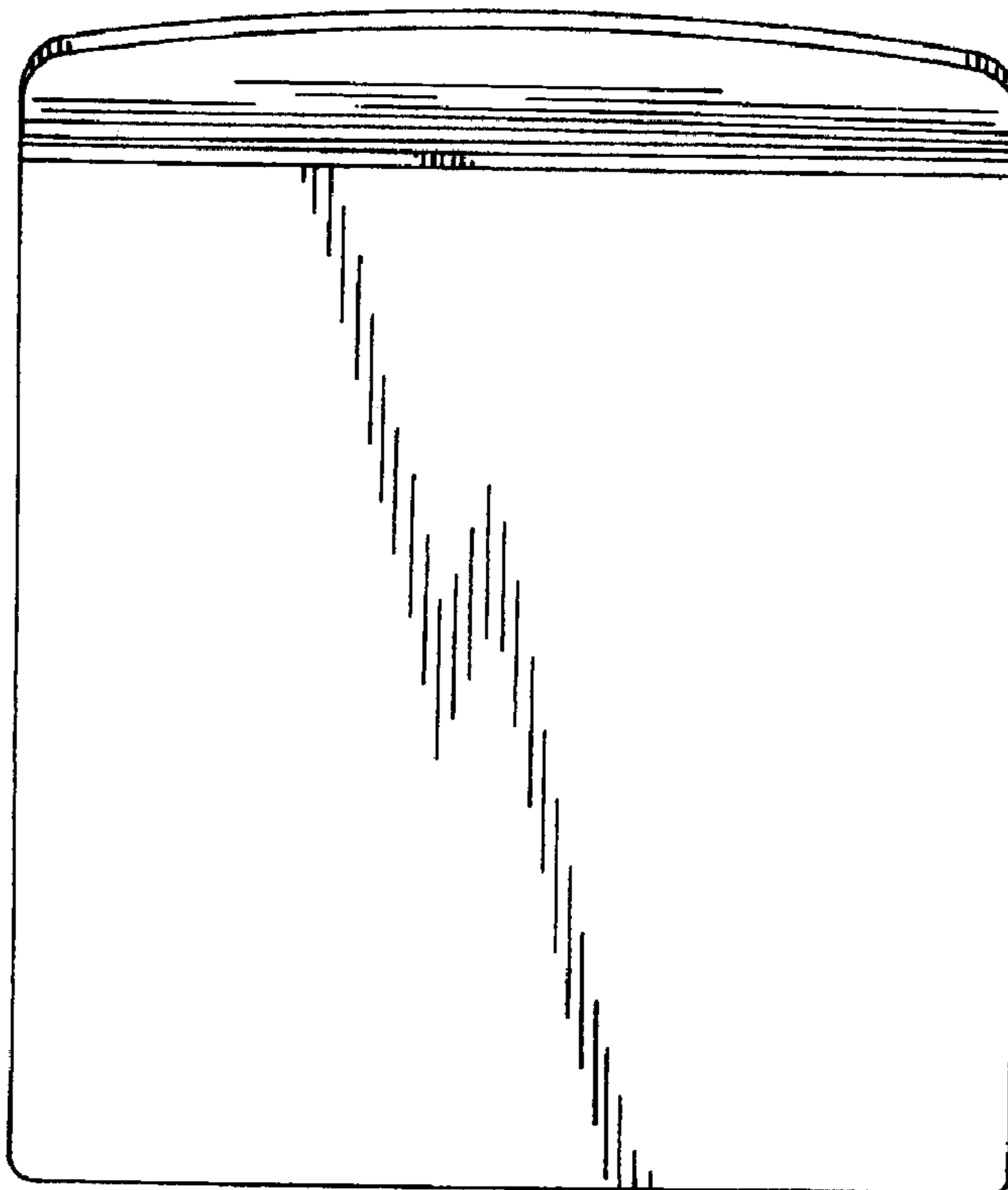
*FIG. 4*



*FIG. 5*



*FIG. 6*



*FIG. 7*